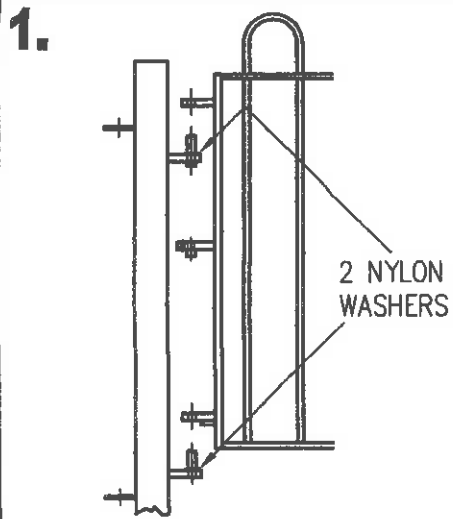
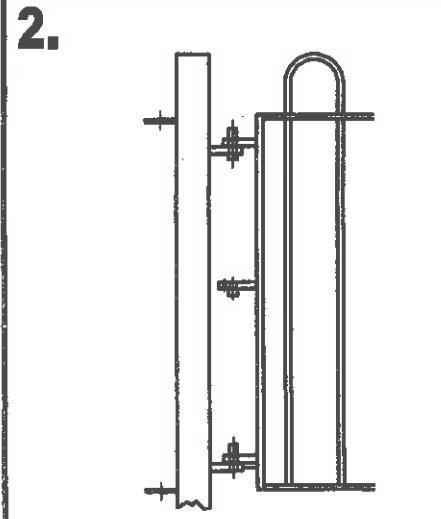


FIXING DETAIL FOR SELF CLOSING GATE

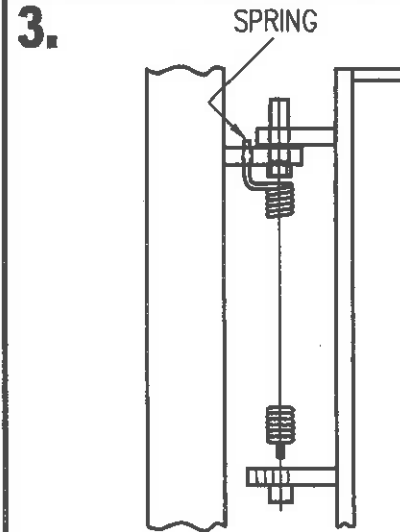
ISSUE 27/9/05



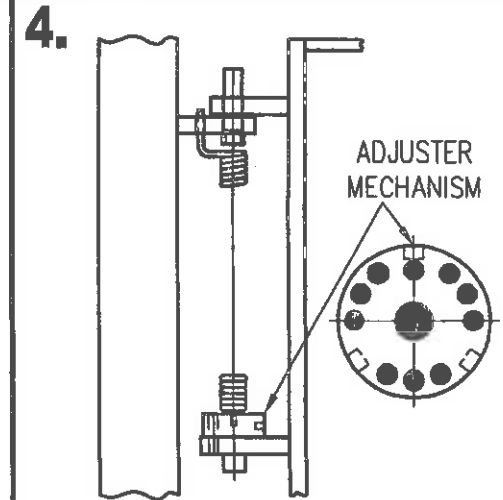
1. PLACE POST & GATEFRAME ONTO A FLAT SURFACE & FIT 2 NYLON WASHERS ABOVE HINGE PINS / LUGS



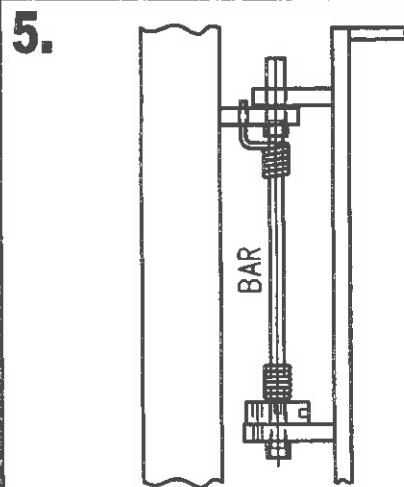
2. SLIDE GATE ONTO HINGE PINS



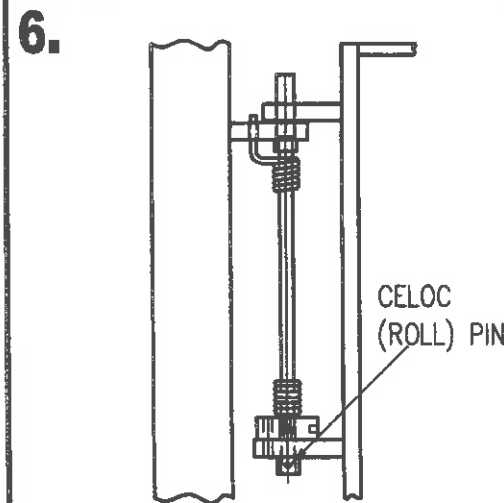
3. LOCATE LONG LEG OF SPRING IN HOLE PROVIDED UNDERSIDE THE POST HINGE



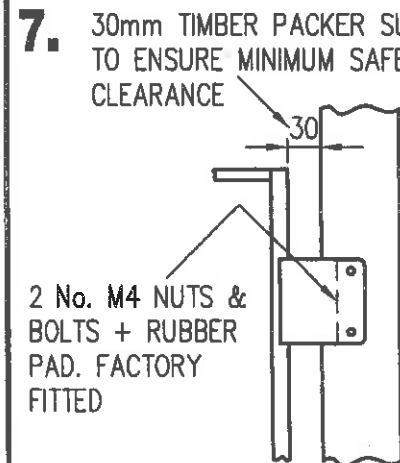
4. LOCATE ADJUSTER OVER MIDDLE LUG HOLE & FIX SPRING INTO HOLE PROVIDED



5. SLIDE STAINLESS STEEL BAR UPWARDS THROUGH BOTTOM HINGE/MIDDLE LUG/ADJUSTER/SPRING, LOCATING FULLY ON TOP LUG



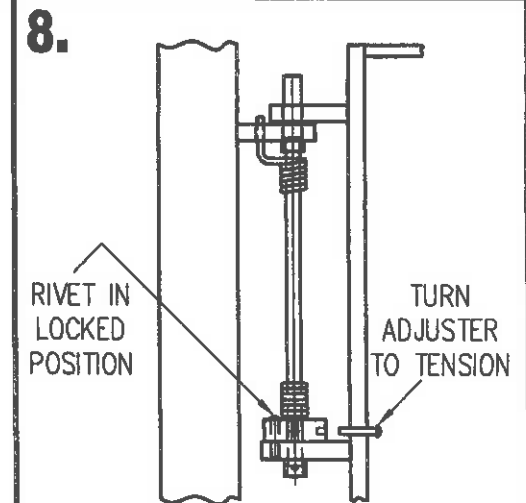
6. INSERT ROLL PIN TO RETAIN BAR IN POSITION USING A LIGHT HAMMER



7. 30mm TIMBER PACKER SUPPLIED TO ENSURE MINIMUM SAFETY CLEARANCE

2 No. M4 NUTS & BOLTS + RUBBER PAD. FACTORY FITTED

FIT RUBBER PAD TO INSIDE OF SLAM PLATE WITH 2 NUTS & BOLTS KNURLING OVER ENDS. TO AVOID FINGER TRAPS INSTALL THE SLAM POST 30mm FROM GATE FRAMEWORK



RIVET IN LOCKED POSITION

TURN ADJUSTER TO TENSION

WHEN THE GATE IS ERECTED, TENSION THE ADJUSTER BY TURNING & APPLY RIVET TO LOCKED POSITION