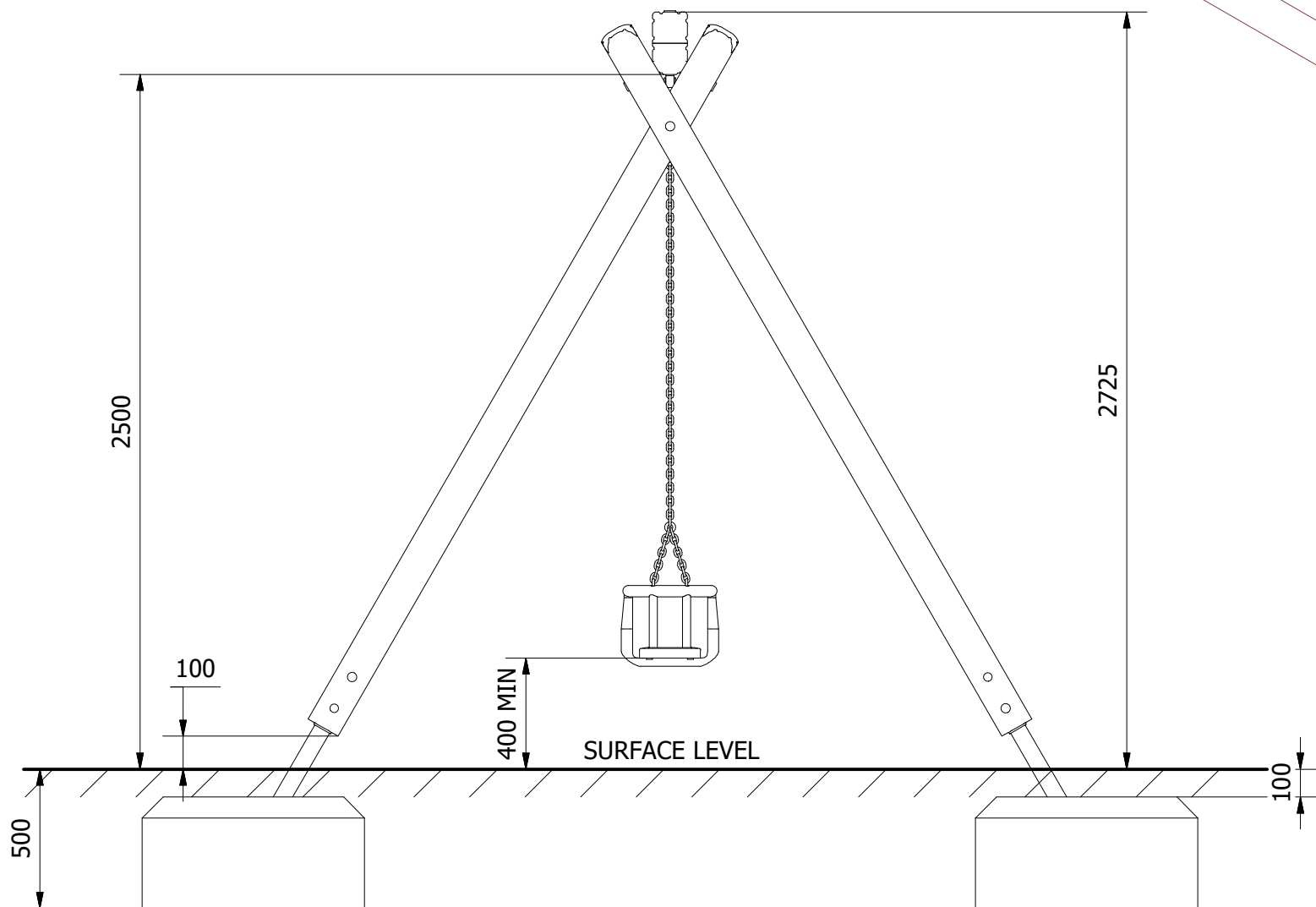
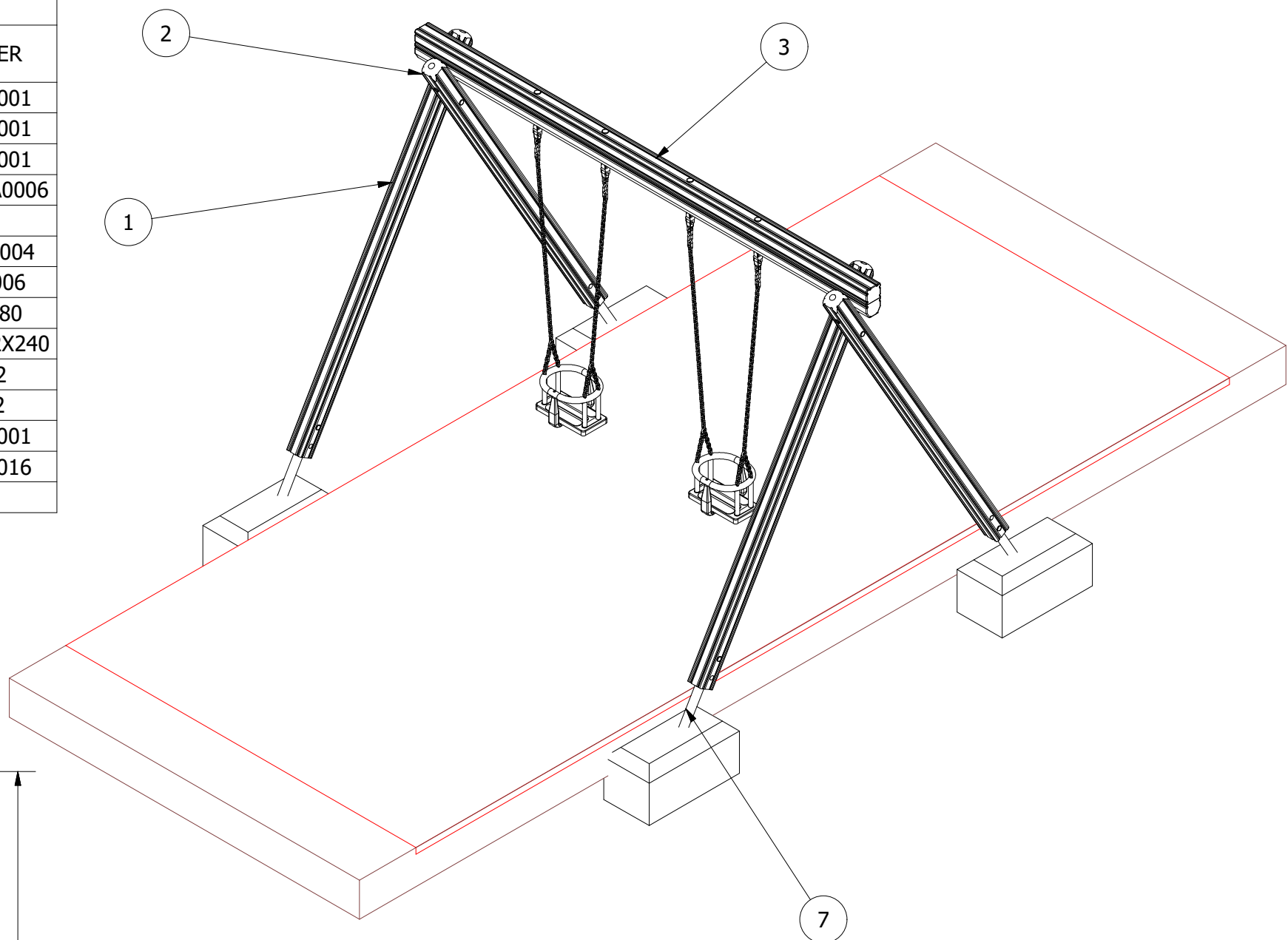


PARTS LIST

ITEM	QTY	PART NUMBER	DESCRIPTION	STOCK NUMBER
1	2	TB-200-595	2900 x 125 Safalog	COMTIMSAF0001
2	2	TB-200-596	2900 x 125 Safalog	COMTIMSAF0001
3	1	TB-200-709	2 X 4M X 125MM SAFALOG (BONDED)	COMTIMSAF0001
4	2	SWC4 CRADLE	SWING CHAIN	COMSWISTRA0006
5	4	SW29 SWING FITTING	UNIVERSAL SWING FITTING	SUBSW29
6	2	CRADLE SWING SEAT	SW22 CRADLE SEAT	COMSWISEA0004
7	4	MOD-600-121 GROUND FOOT (125)	GROUND FOOT (125)	SUBSTEMIS0006
8	4	M12 X 180 COACH SCREW	M12 X 180 COACH SCREW	COMSTASCR180
9	2	M12 X 240 COACH BOLT	M12 x 240 (DIN 603)	COMA2CBM12X240
10	10	M12 WASHER	M12 WASHER (DIN 125)	COMA2FWM12
11	6	M12 NYLOC NUT	M12 NYLOC NUT (DIN 985)	COMA2NNM12
12	6	30MM BOLT COVER	30MM BLACK CAP	COMPLACAP0001
13	4	38MM BOLT COVER	38MM CAP	COMPLACAP0016
14	4	400 x 800 x 400	0.128M ³ CONCRETE FOUNDATION	

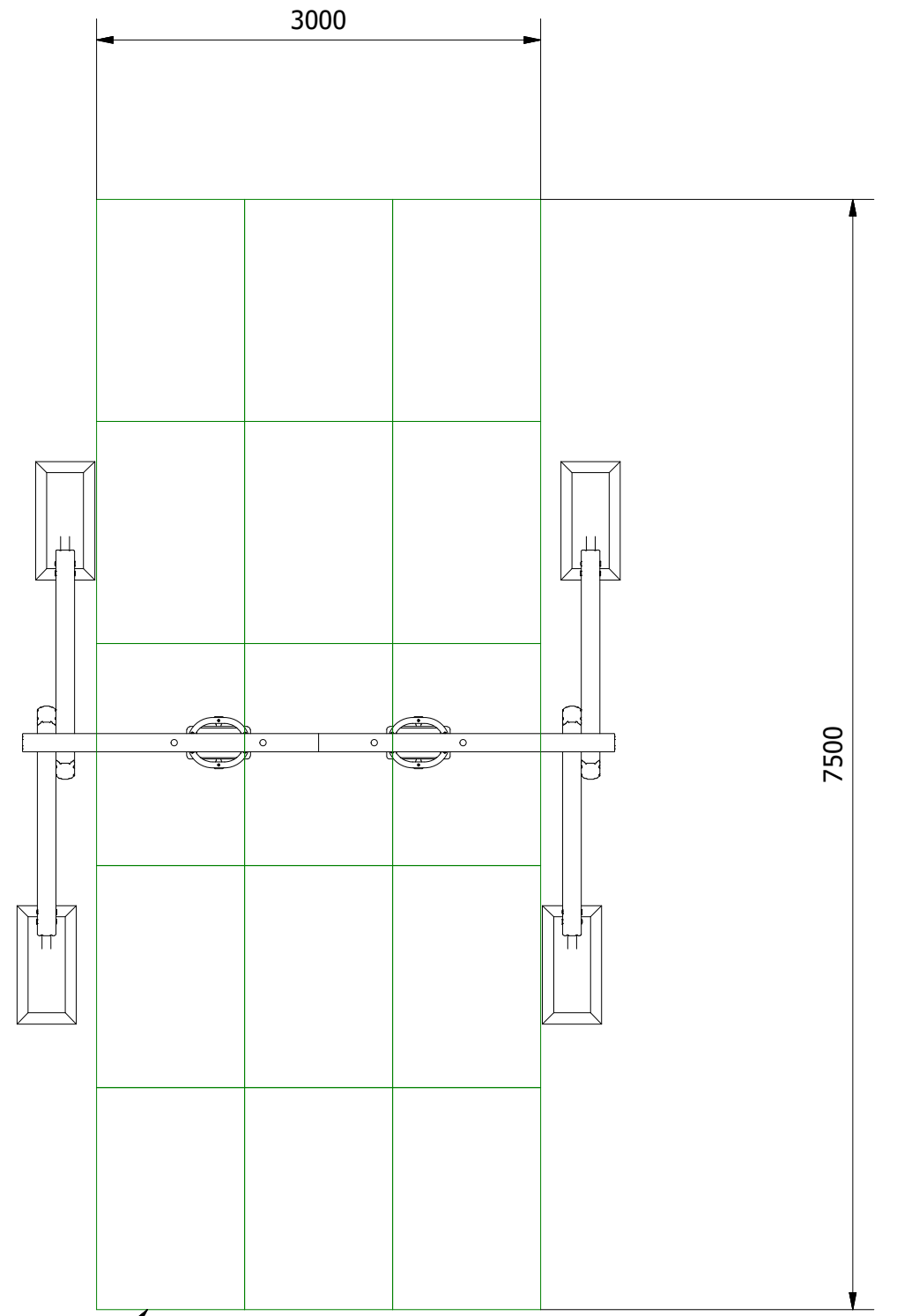
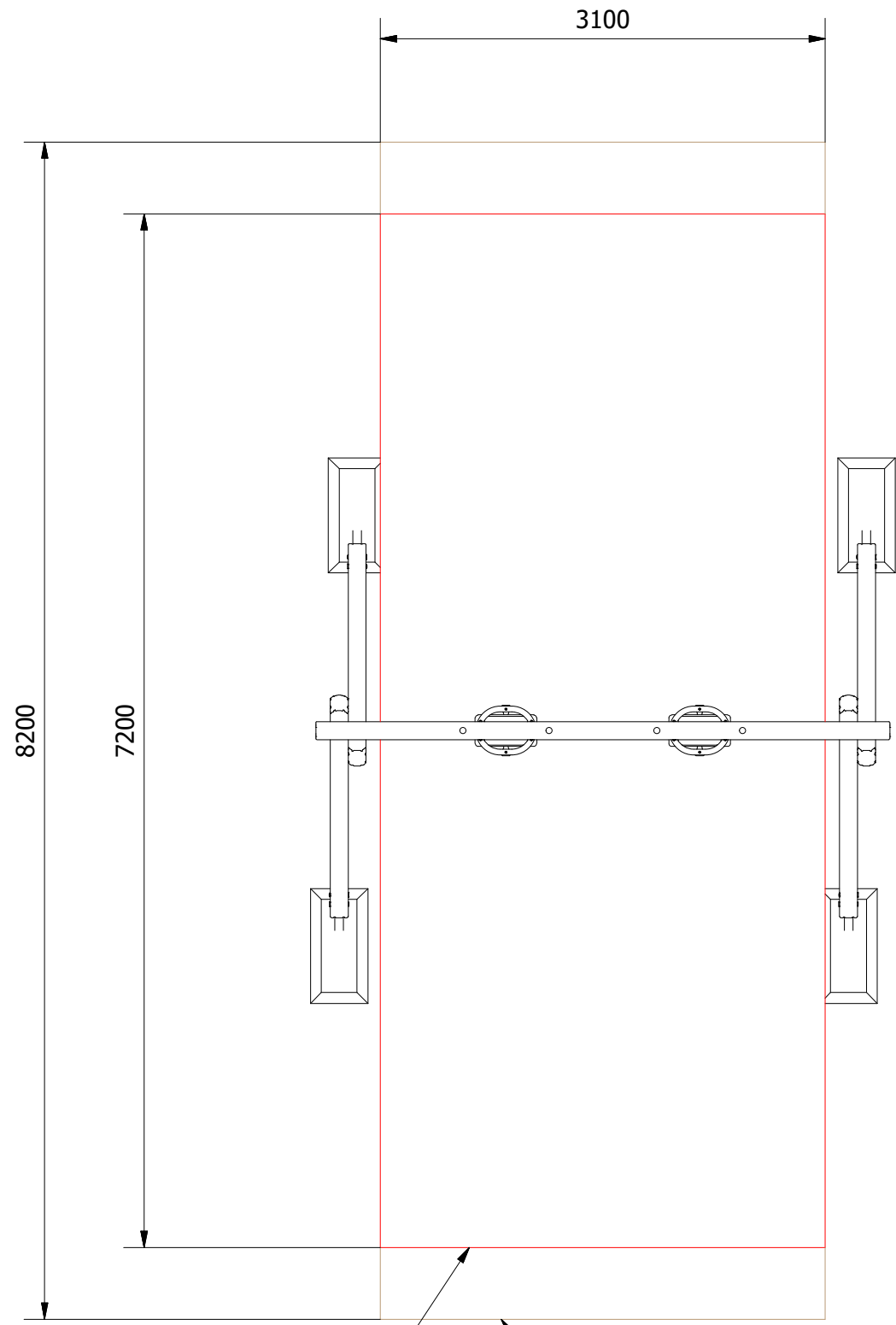


UNLESS OTHERWISE SPECIFIED:
DIMENSIONS ARE IN MILLIMETERS
TOLERANCES:
LINEAR: ±2MM
1 DECIMAL PLACE: ±0.5MM
ANGULAR: ±1°

PROPRIETARY AND CONFIDENTIAL
THE INFORMATION CONTAINED IN THIS
DRAWING IS THE SOLE PROPERTY OF
FENLAND LEISURE PRODUCTS. ANY
REPRODUCTION IN PART OR AS A WHOLE
WITHOUT THE WRITTEN PERMISSION
OF FENLAND
LEISURE PRODUCTS IS PROHIBITED.

Title: PRO-500-196 CRADLE SWING (MLF05)	
Product Range: PLAYGROUND EQUIPMENT	
<1.5M FFH	Date: 06/04/2021
DO NOT SCALE FROM DRAWING	Page: 1
A3	
Tel: 01354 638359 www.onlineplaygrounds.co.uk	





15 SAFAGRASS TILES (1.5M X 1.0M)

WETPOUR SURFACING
 AREA = 22.4M²
 PERIMETER = 20.6 L/M

LOOSEFILL SURFACING
 AREA = 25.5M²
 PERIMETER = 22.6 L/M

UNLESS OTHERWISE SPECIFIED:
 DIMENSIONS ARE IN MILLIMETERS
 TOLERANCES:
 LINEAR: ±2MM
 1 DECIMAL PLACE: ±0.5MM
 ANGULAR: ±1°

PROPRIETARY AND CONFIDENTIAL
 THE INFORMATION CONTAINED IN THIS
 DRAWING IS THE SOLE PROPERTY OF
 FENLAND LEISURE PRODUCTS. ANY
 REPRODUCTION IN PART OR AS A WHOLE
 WITHOUT THE WRITTEN PERMISSION
 OF FENLAND
 LEISURE PRODUCTS IS PROHIBITED.

Title: PRO-500-196 CRADLE SWING (MLF05)

Product Range: PLAYGROUND EQUIPMENT

Date:
06/04/2021

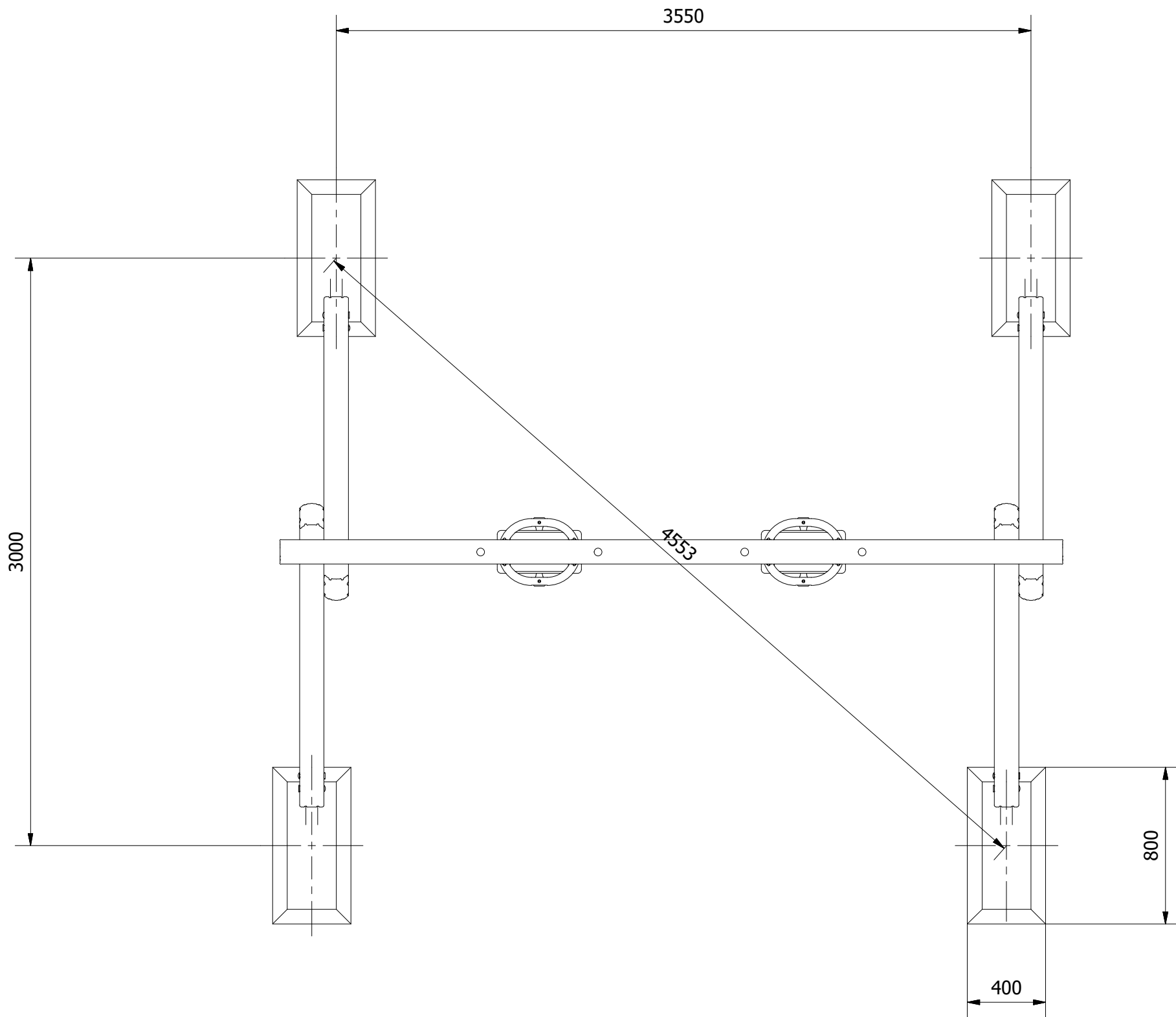
Page: 2

A3



DO NOT SCALE FROM DRAWING

Tel: 01354 638359 www.onlineplaygrounds.co.uk



UNLESS OTHERWISE SPECIFIED:
DIMENSIONS ARE IN MILLIMETERS
TOLERANCES:
LINEAR: ±2MM
1 DECIMAL PLACE: ±0.5MM
ANGULAR: ±1°

PROPRIETARY AND CONFIDENTIAL
THE INFORMATION CONTAINED IN THIS
DRAWING IS THE SOLE PROPERTY OF
FENLAND LEISURE PRODUCTS. ANY
REPRODUCTION IN PART OR AS A WHOLE
WITHOUT THE WRITTEN PERMISSION
OF FENLAND
LEISURE PRODUCTS IS PROHIBITED.

Title: PRO-500-196 CRADLE SWING (MLF05)

Product Range: PLAYGROUND EQUIPMENT

Date:
06/04/2021

Page: 3

A3



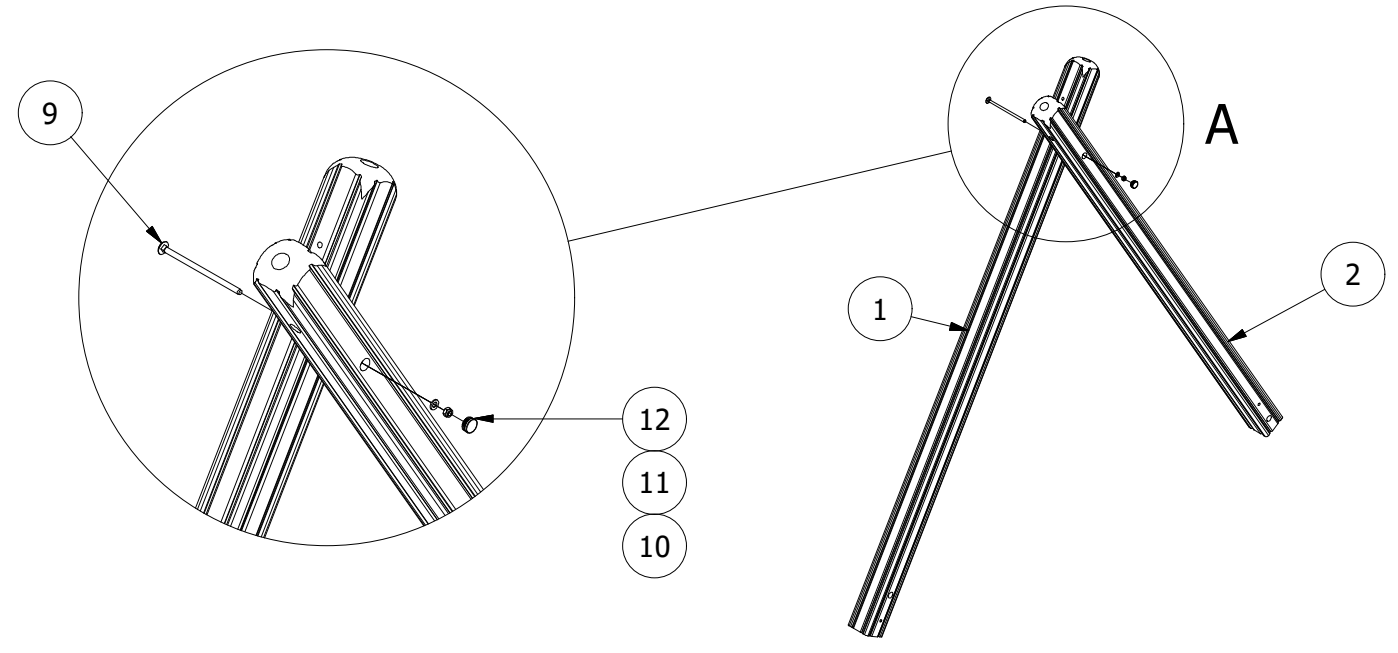
DO NOT SCALE FROM DRAWING

Tel: 01354 638359 www.onlineplaygrounds.co.uk

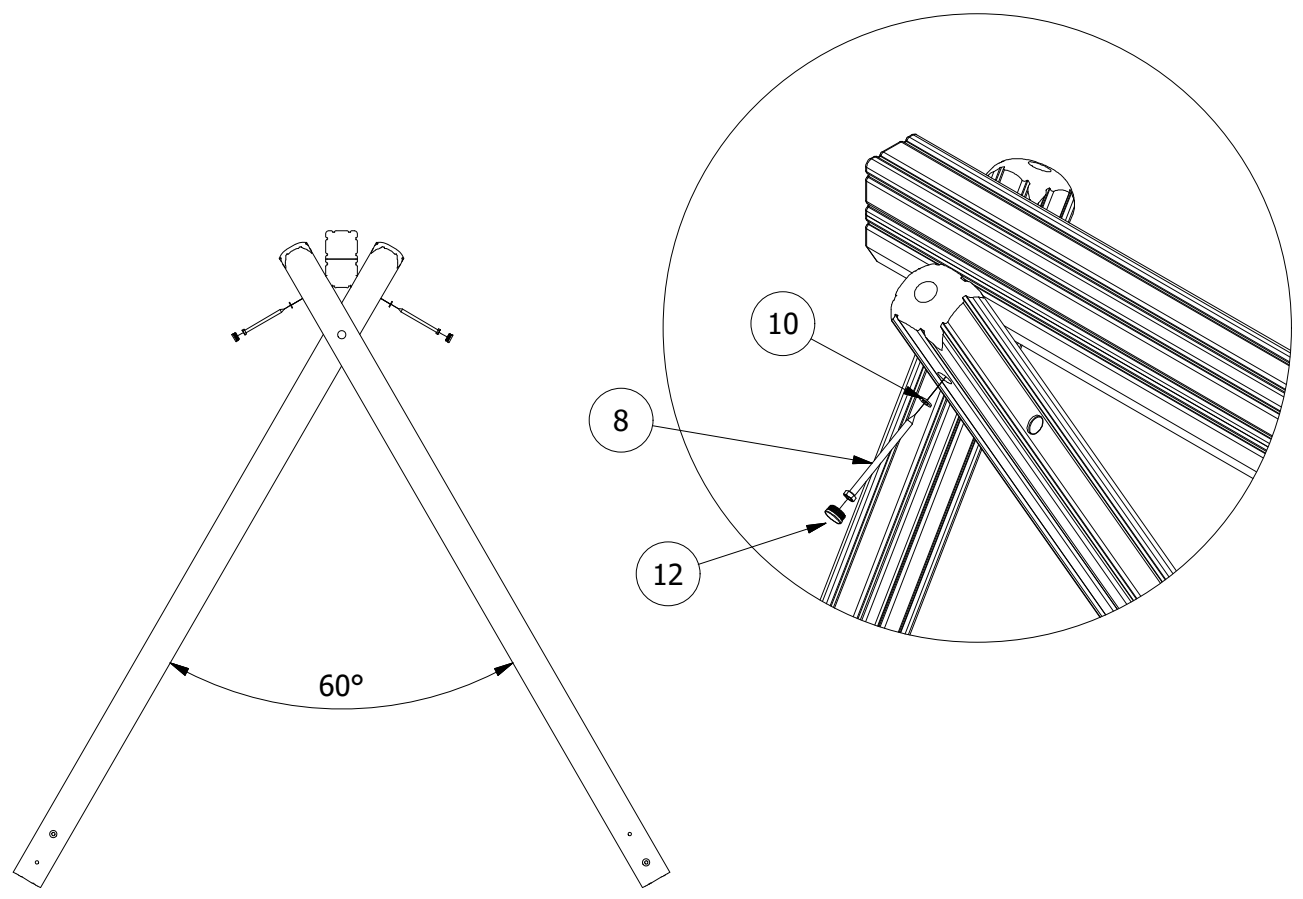
ALL FOUNDATIONS 400 X 800 X 500 DEEP UNLESS OTHERWISE SPECIFIED

1. CREATE THE TWO SWING A-FRAMES USING THE SUPPLIED FIXINGS AS ILLUSTRATED BELOW.

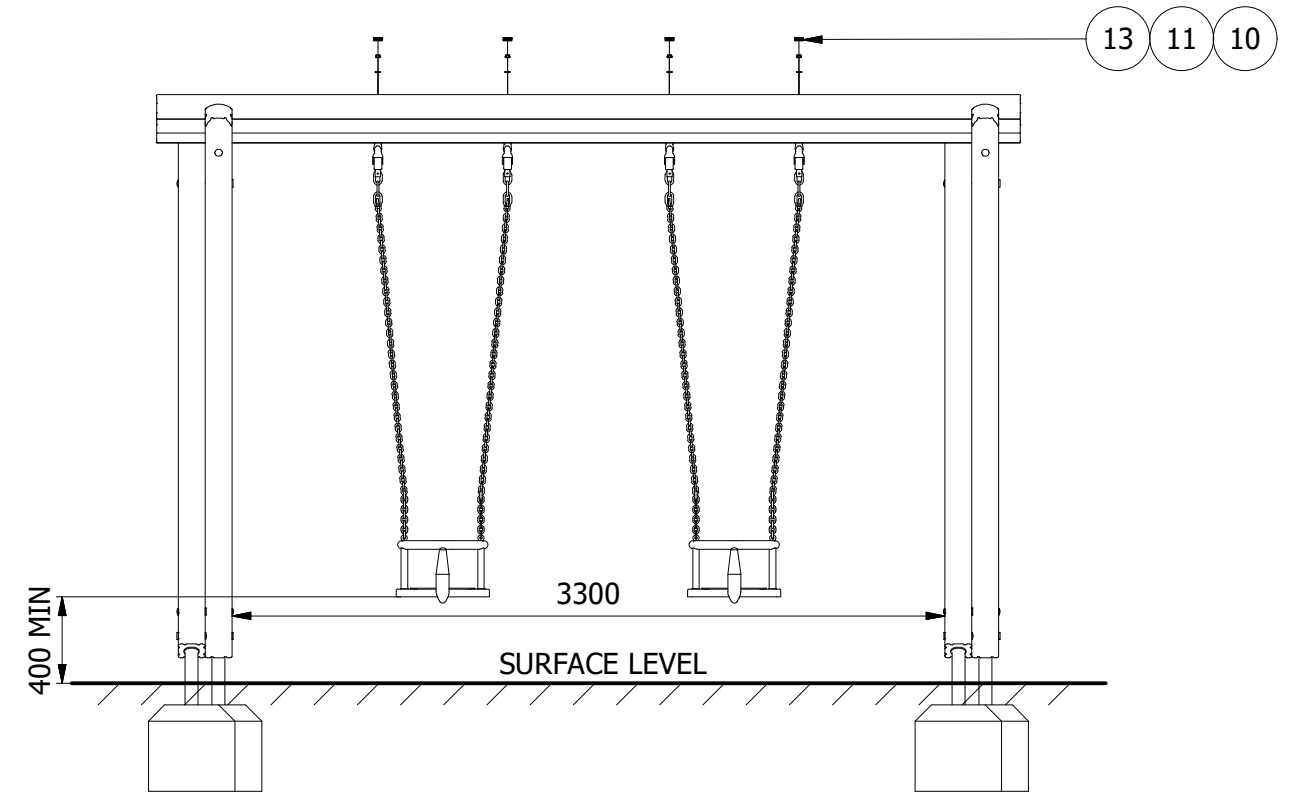
NOTE: TO REDUCE THE RISK OF STEEL GALLING, USE LUBRICANT ON ALL STAINLESS STEEL FIXINGS



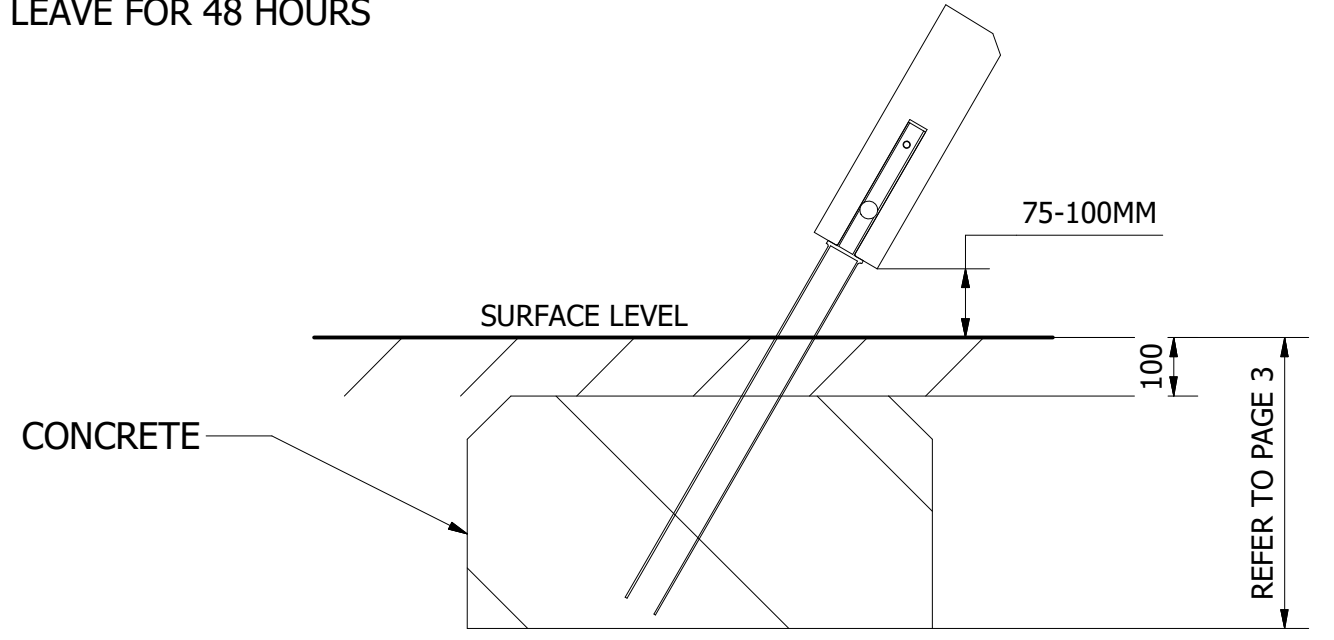
2. POSITION THE A-FRAMES INTO THE FOUNDATION HOLES AND BRACE. (TAKE NOTE OF THE POSITION OF THE POSTS AS SHOWN IN FIG 1) POSITION THE TOP BAR ONTO THE A-FRAMES AND SECURE IN PLACE.



3. AS ILLUSTRATED, SECURE THE SWING HANGER TO THE UNDERSIDE OF THE TOP BAR
NOTE: ENSURE THE SEAT SITS A MINIMUM OF 400MM FROM FINISHED SURFACE LEVEL TO UNDERSIDE OF THE SWING SEATS.



4. FINALLY, ENSURE UNIT IS LEVEL AND PLUMB, ALL FIXINGS HAVE BEEN TIGHTENED AND PROTECTIVE CAPS IN PLACE. ADD CONCRETE TO EACH FOUNDATION HOLE AND LEAVE FOR 48 HOURS



UNLESS OTHERWISE SPECIFIED: DIMENSIONS ARE IN MILLIMETERS TOLERANCES: LINEAR: ±2MM 1 DECIMAL PLACE: ±0.5MM ANGULAR: ±1°	PROPRIETARY AND CONFIDENTIAL THE INFORMATION CONTAINED IN THIS DRAWING IS THE SOLE PROPERTY OF FENLAND LEISURE PRODUCTS. ANY REPRODUCTION IN PART OR AS A WHOLE WITHOUT THE WRITTEN PERMISSION OF FENLAND LEISURE PRODUCTS IS PROHIBITED.	Title: PRO-500-196 CRADLE SWING (MLF05)	
		Product Range: PLAYGROUND EQUIPMENT	
		Date: 06/04/2021	
		Page: 4	
		A3	
DO NOT SCALE FROM DRAWING		Tel: 01354 638359 www.onlineplaygrounds.co.uk	