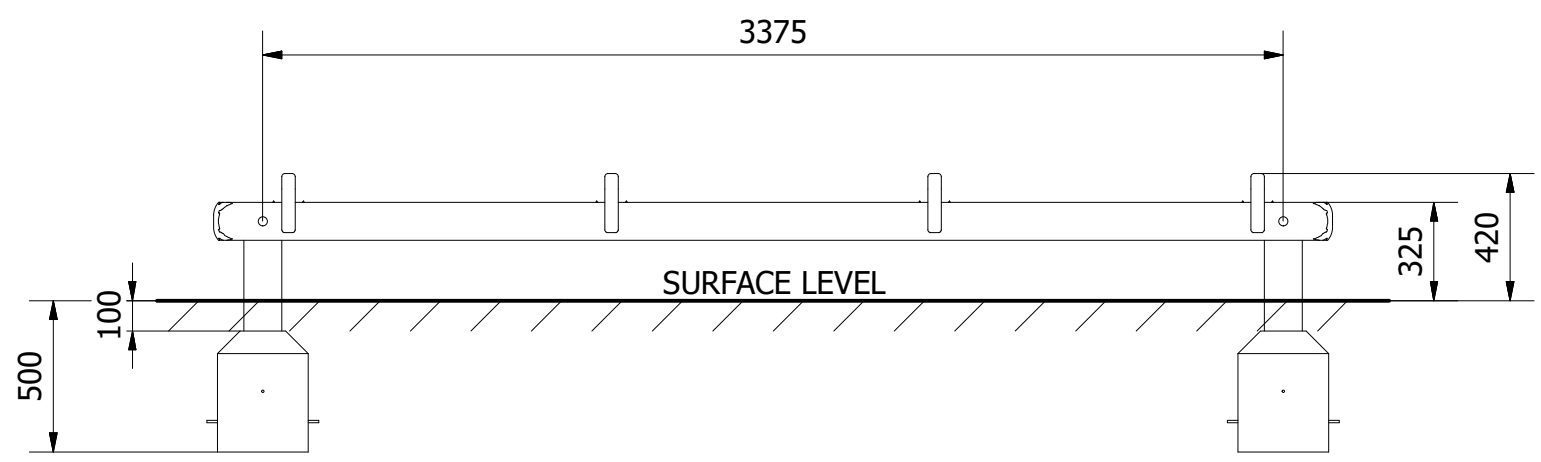
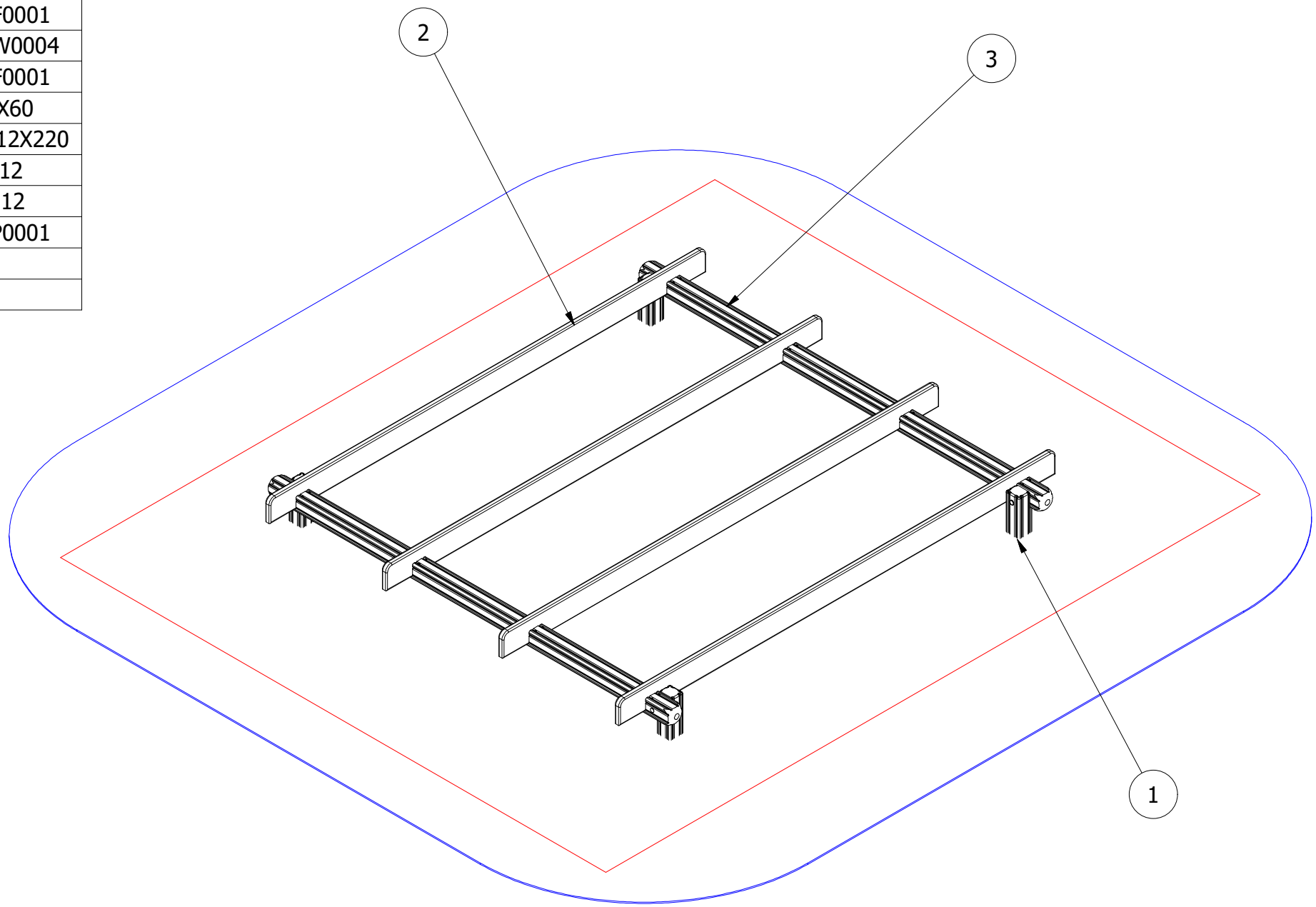



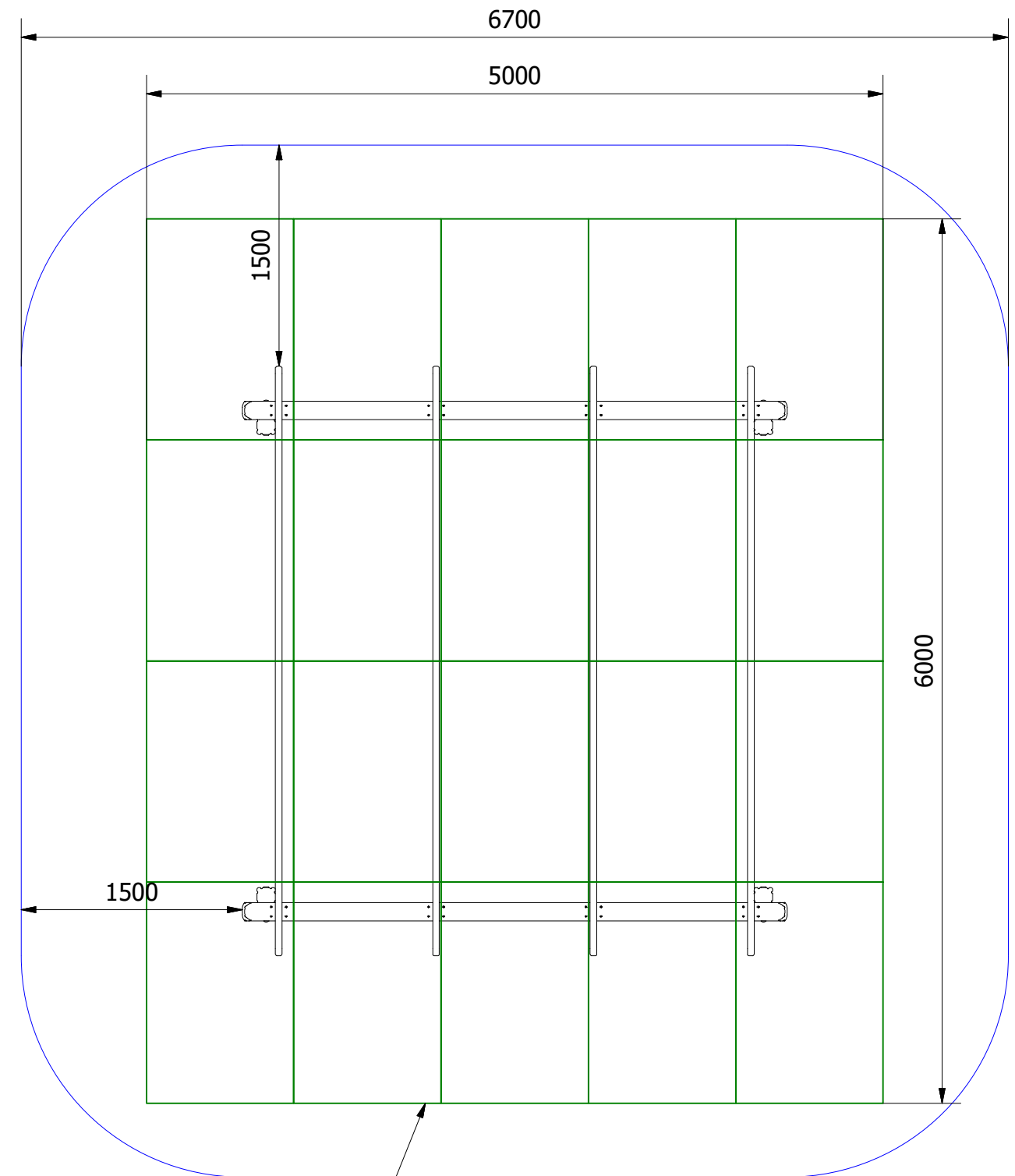
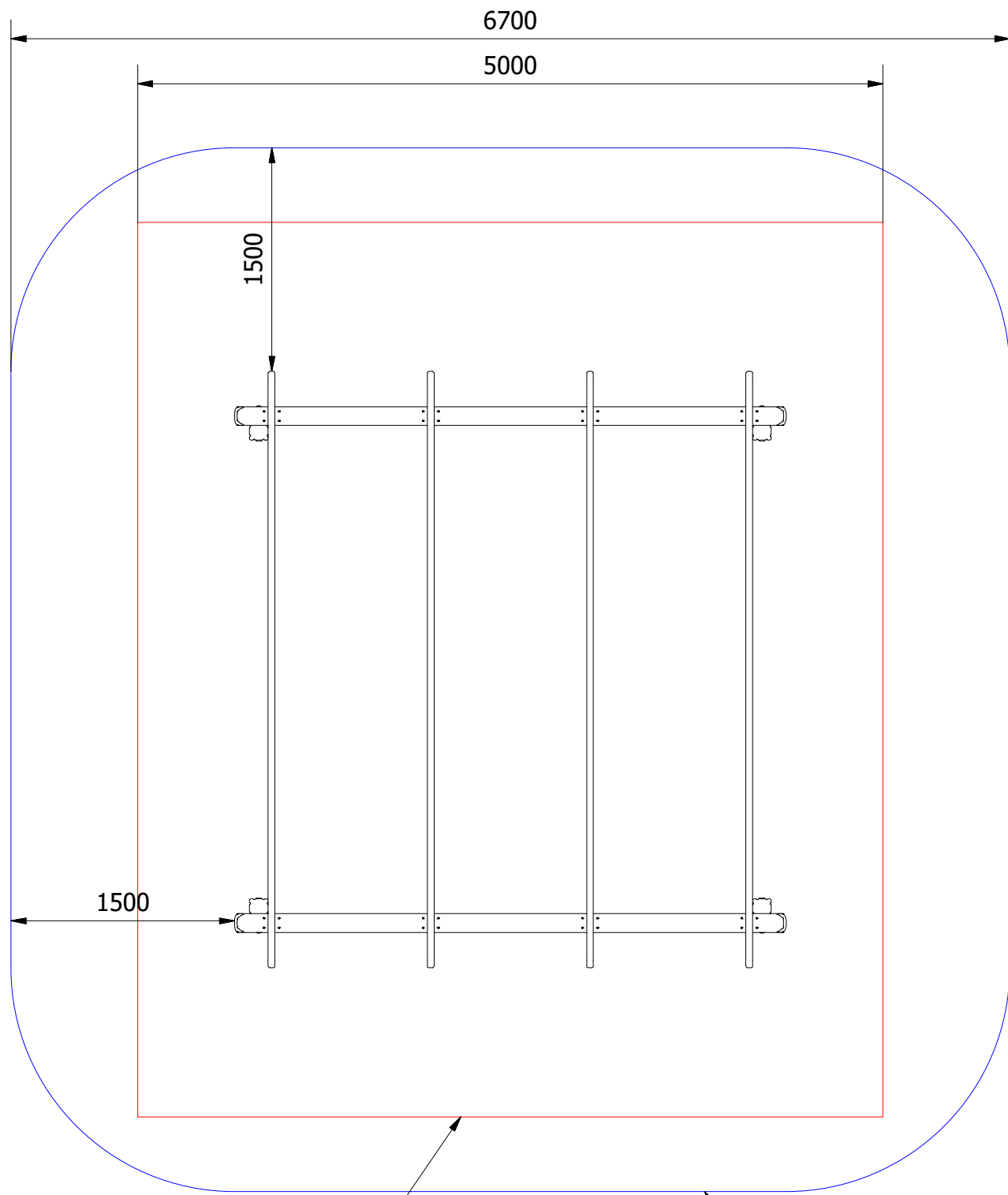
PARTS LIST				
ITEM	QTY	PART NUMBER	DESCRIPTION	STOCK NUMBER
1	4	TB-200-335	825mm x 125mm SAFALOG	COMTIMSAF0001
2	4	TB-200-730	4000 X 195 X 45	COMTIMSAW0004
3	2	TB-200-731	3700mm x 125mm SAFALOG	COMTIMSAF0001
4	32	M6 X 60 TORX WOODSCREW	60MM TORX WOODSCREW	COMA2WS6X60
5	4	M12 X 220 COACH BOLT	M12 X 220 (DIN 603)	COMA2CBM12X220
6	4	M12 NYLOC NUT	M12 NYLOC NUT (DIN 985)	COMA2NNM12
7	4	M12 WASHER	M12 WASHER (DIN 125)	COMA2FWM12
8	4	30MM BOLT COVER	30MM BLACK CAP	COMPLACAP0001
9	8	GROUND IRON	FOUNDATION GROUND IRON	
10	4	300 x 300 x 400	0.036M <sup>3</sup> CONCRETE FOUNDATION	

FITNESS INDICATOR SIGN			
ITEM	QTY	PART NUMBER	DESCRIPTION
1	1	TB-200-399	1650 x 112mm (FC281650P)
2	1	PE-400-035	COMSIGSIG0032
3	4	M3 X 25 POZI PAN SCREW	COMHARSTA0009
4	1	GROUND IRON	FOUNDATION GROUND IRON
5	1	300 x 300 x 400	0.036M <sup>3</sup> CONCRETE FOUNDATION



NOTES:  
 STEELWORK: EXPORT - ALUMINIUM  
 U.K - STAINLESS STEEL  
 INDICATOR SIGN: EXPORT - COMSIGSIG0042  
 U.K - COMSIGSIG0032

UNLESS OTHERWISE SPECIFIED: DIMENSIONS ARE IN MILLIMETERS TOLERANCES: LINEAR: ±2MM 1 DECIMAL PLACE: ±0.5MM ANGULAR: ±1°	<b>PROPRIETARY AND CONFIDENTIAL</b> THE INFORMATION CONTAINED IN THIS DRAWING IS THE SOLE PROPERTY OF FENLAND LEISURE PRODUCTS. ANY REPRODUCTION IN PART OR AS A WHOLE WITHOUT THE WRITTEN PERMISSION OF FENLAND LEISURE PRODUCTS IS PROHIBITED.	Title: PRO-500-175 BALANCE BOARDS (FC17)	
		Product Range: FITNESS TRAIL	
		<0.6M FFH	Date: 09/03/2020
		DO NOT SCALE FROM DRAWING	
		Tel: 01354 638359 www.onlineplaygrounds.co.uk	
		Page: A3	

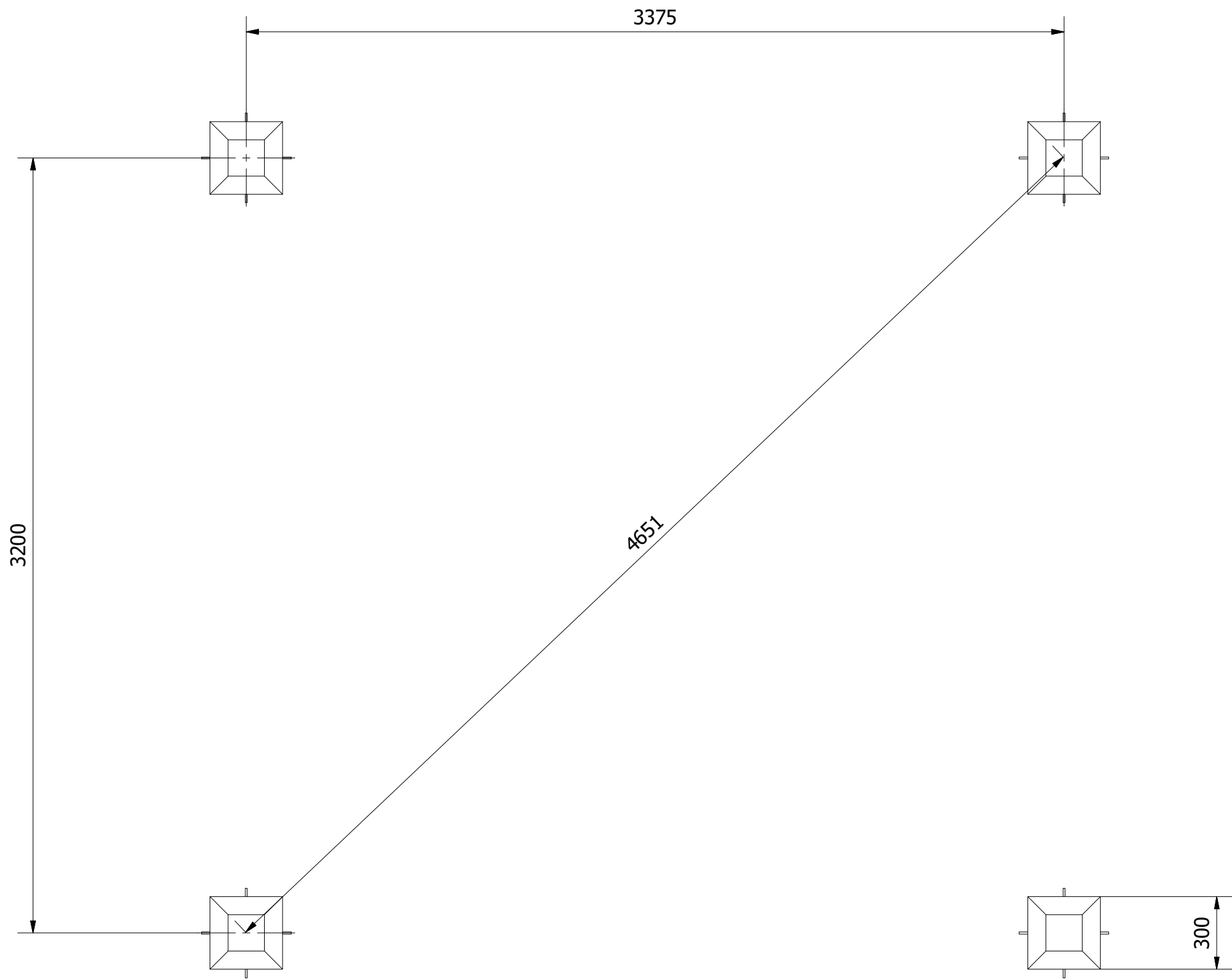


20 SAFAGRASS TILES  
(1.5M X 1.0M)

WETPOUR AREA = 30M<sup>2</sup>  
PERIMETER = 22 L/M

MIN SPACE

UNLESS OTHERWISE SPECIFIED: DIMENSIONS ARE IN MILLIMETERS TOLERANCES: LINEAR: ±2MM 1 DECIMAL PLACE: ±0.5MM ANGULAR: ±1°	<b>PROPRIETARY AND CONFIDENTIAL</b> THE INFORMATION CONTAINED IN THIS DRAWING IS THE SOLE PROPERTY OF FENLAND LEISURE PRODUCTS. ANY REPRODUCTION IN PART OR AS A WHOLE WITHOUT THE WRITTEN PERMISSION OF FENLAND LEISURE PRODUCTS IS PROHIBITED.	Title: <b>PRO-500-175 BALANCE BOARDS (FC17)</b>	
		Product Range: <b>FITNESS TRAIL</b>	
		Date: 09/03/2020	
		Page: A3	
		DO NOT SCALE FROM DRAWING	
		Tel: 01354 638359 www.onlineplaygrounds.co.uk	

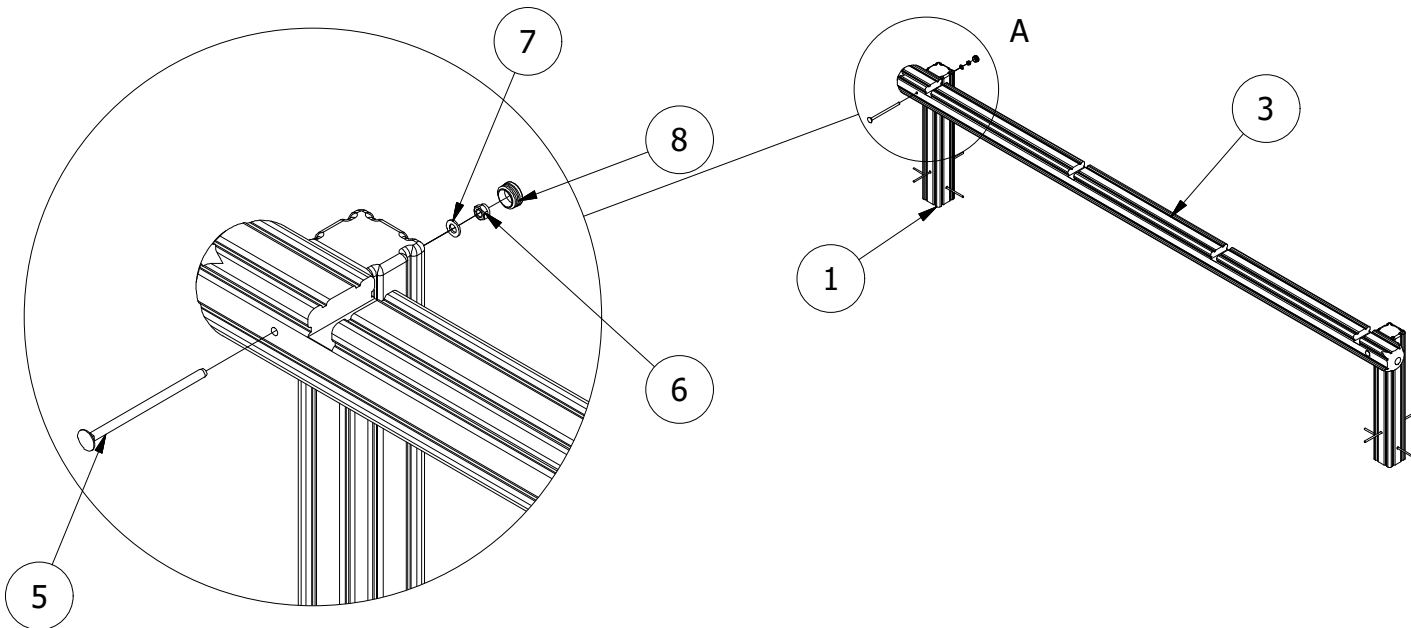


ALL FOUNDATIONS 300 X 300 X 500 DEEP UNLESS OTHERWISE SPECIFIED

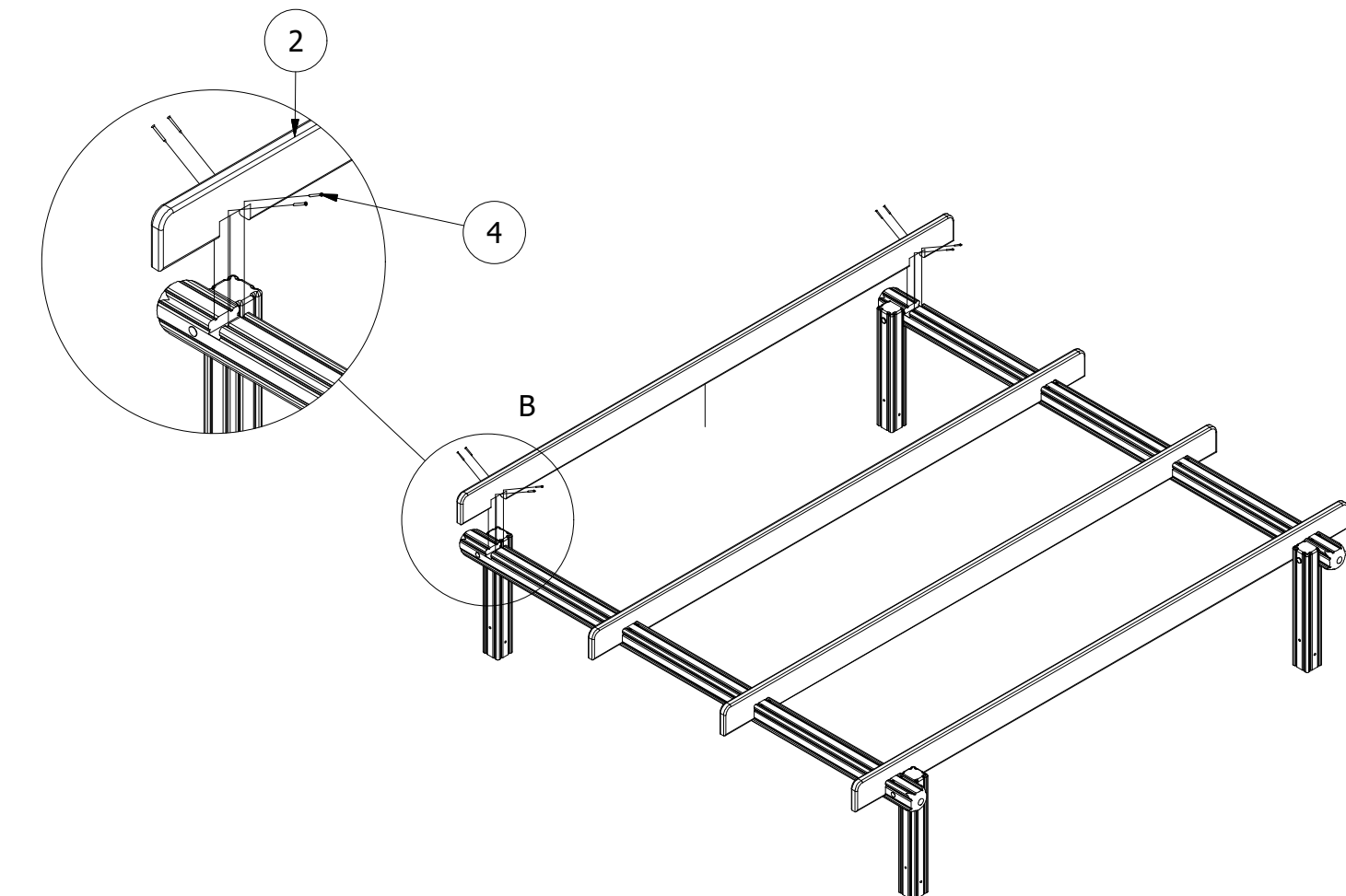
UNLESS OTHERWISE SPECIFIED: DIMENSIONS ARE IN MILLIMETERS TOLERANCES: LINEAR: ±2MM 1 DECIMAL PLACE: ±0.5MM ANGULAR: ±1°	<b>PROPRIETARY AND CONFIDENTIAL</b> THE INFORMATION CONTAINED IN THIS DRAWING IS THE SOLE PROPERTY OF FENLAND LEISURE PRODUCTS. ANY REPRODUCTION IN PART OR AS A WHOLE WITHOUT THE WRITTEN PERMISSION OF FENLAND LEISURE PRODUCTS IS PROHIBITED.	Title: PRO-500-175 BALANCE BOARDS (FC17)	
		Product Range: FITNESS TRAIL	
		Date: 09/03/2020	
		Page: A3	
		DO NOT SCALE FROM DRAWING	
		Tel: 01354 638359 www.onlineplaygrounds.co.uk	

1. SECURE THE HORIZONTAL BAR (ITEM 3) TO THE SHORT UPRIGHTS (ITEM 1) USING THE SUPPLIED FIXINGS AS DETAILED BELOW.

POSITION THE UNIT INTO THE FOUNDATION HOLES.

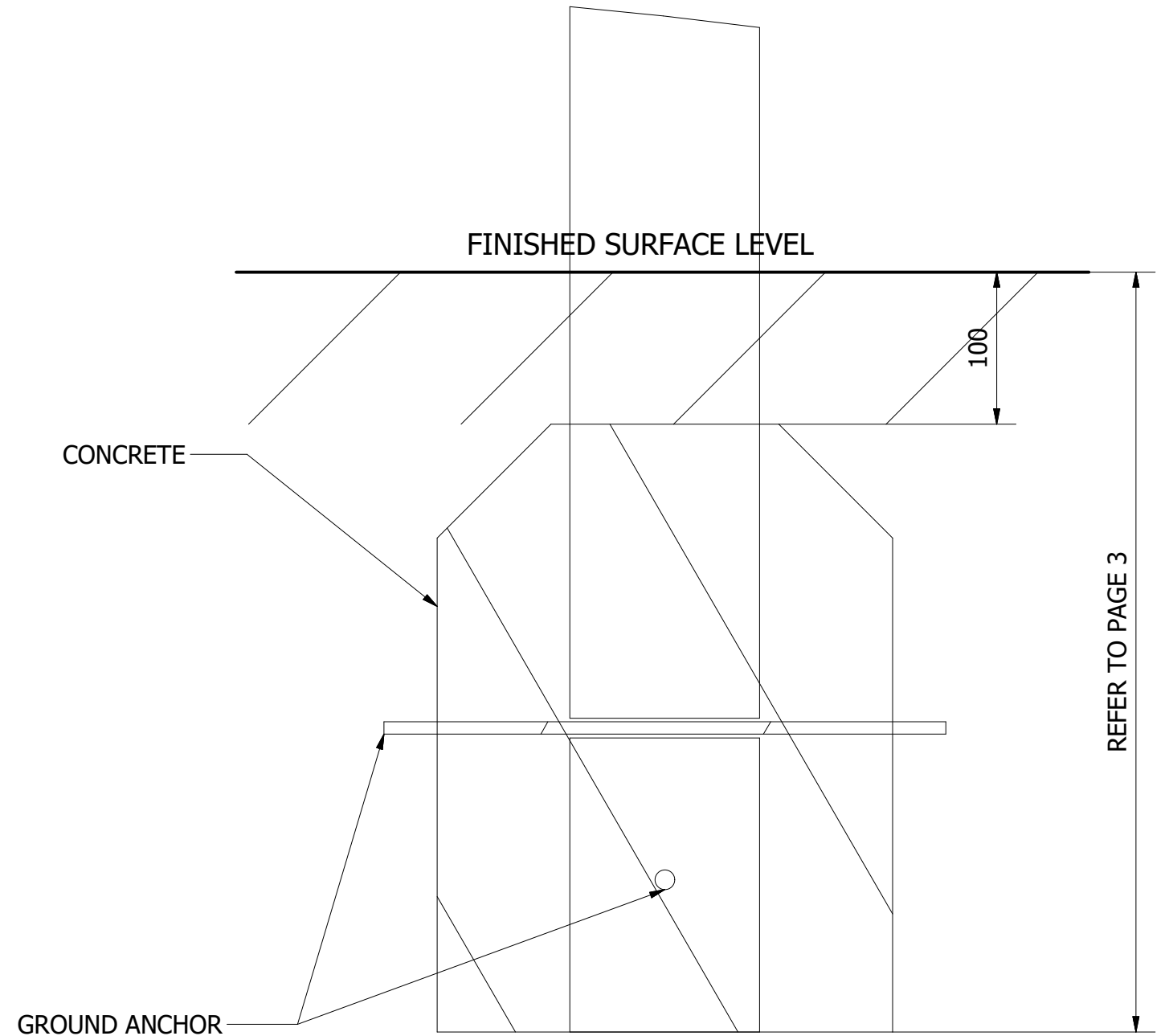


2. POSITION THE BALANCE BOARDS INTO THE PRE-SAWN REBATE ON BOTH OF THE PREVIOUSLY BUILT FRAMES. SPACE ACCORDINGLY AND FIX IN PLACE USING THE SUPPLIED SCREWS (4 OFF EACH REBATE).



3. FINALLY, ENSURE ALL FIXINGS HAVE BEEN TIGHTENED AND PROTECTIVE CAPS IN PLACE.

ENSURE UNIT IS LEVEL AND PLUMB AND ADD CONCRETE TO EACH FOUNDATION HOLE AND LEAVE FOR 48 HOURS



UNLESS OTHERWISE SPECIFIED:  
DIMENSIONS ARE IN MILLIMETERS  
TOLERANCES:  
LINEAR:  $\pm 2\text{MM}$   
1 DECIMAL PLACE:  $\pm 0.5\text{MM}$   
ANGULAR:  $\pm 1^\circ$

**PROPRIETARY AND CONFIDENTIAL**  
THE INFORMATION CONTAINED IN THIS DRAWING IS THE SOLE PROPERTY OF FENLAND LEISURE PRODUCTS. ANY REPRODUCTION IN PART OR AS A WHOLE WITHOUT THE WRITTEN PERMISSION OF FENLAND LEISURE PRODUCTS IS PROHIBITED.

Title: PRO-500-175 BALANCE BOARDS (FC17)

Product Range: FITNESS TRAIL

Date:  
09/03/2020

Page:

A3



DO NOT SCALE FROM DRAWING

Tel: 01354 638359 www.onlineplaygrounds.co.uk