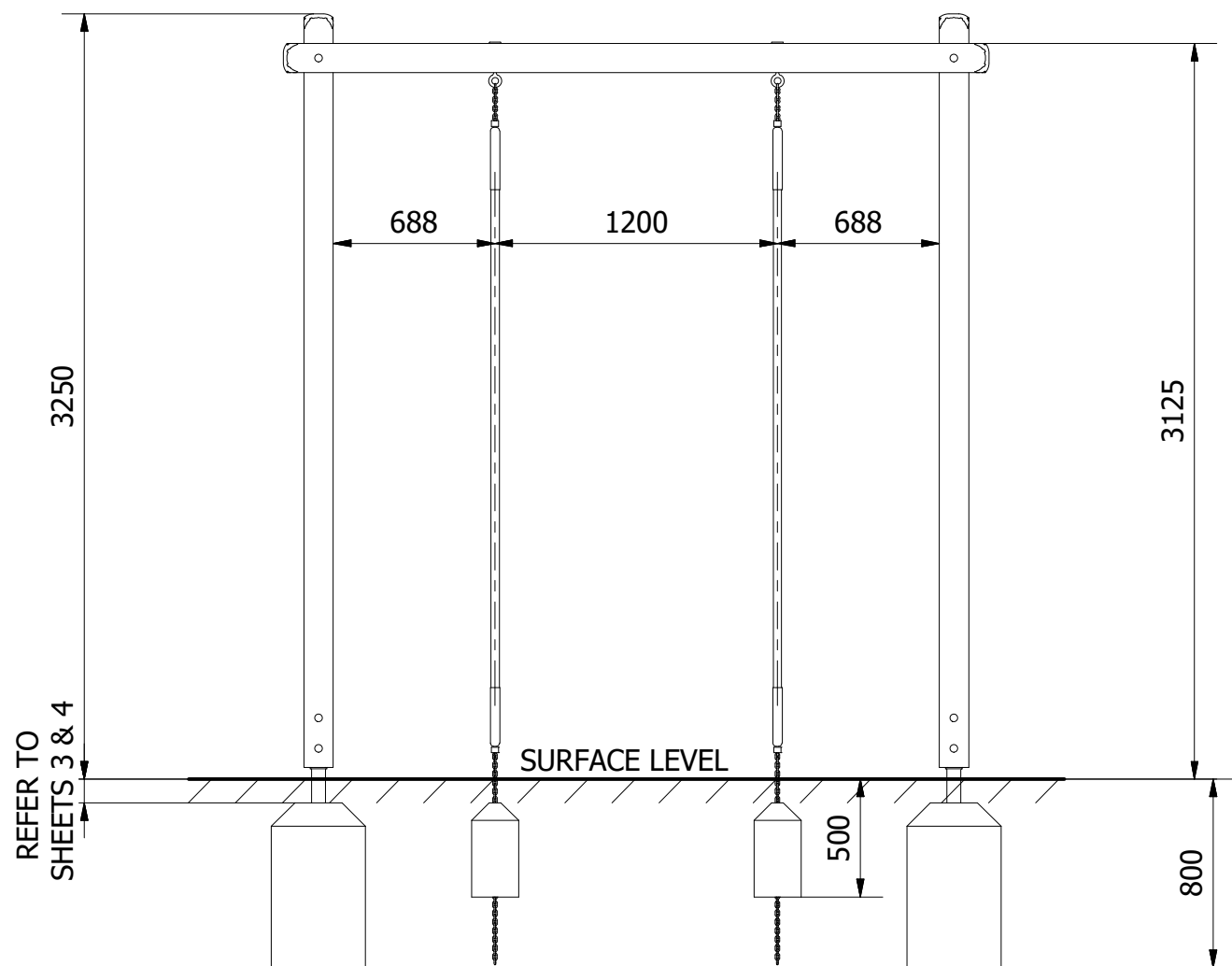
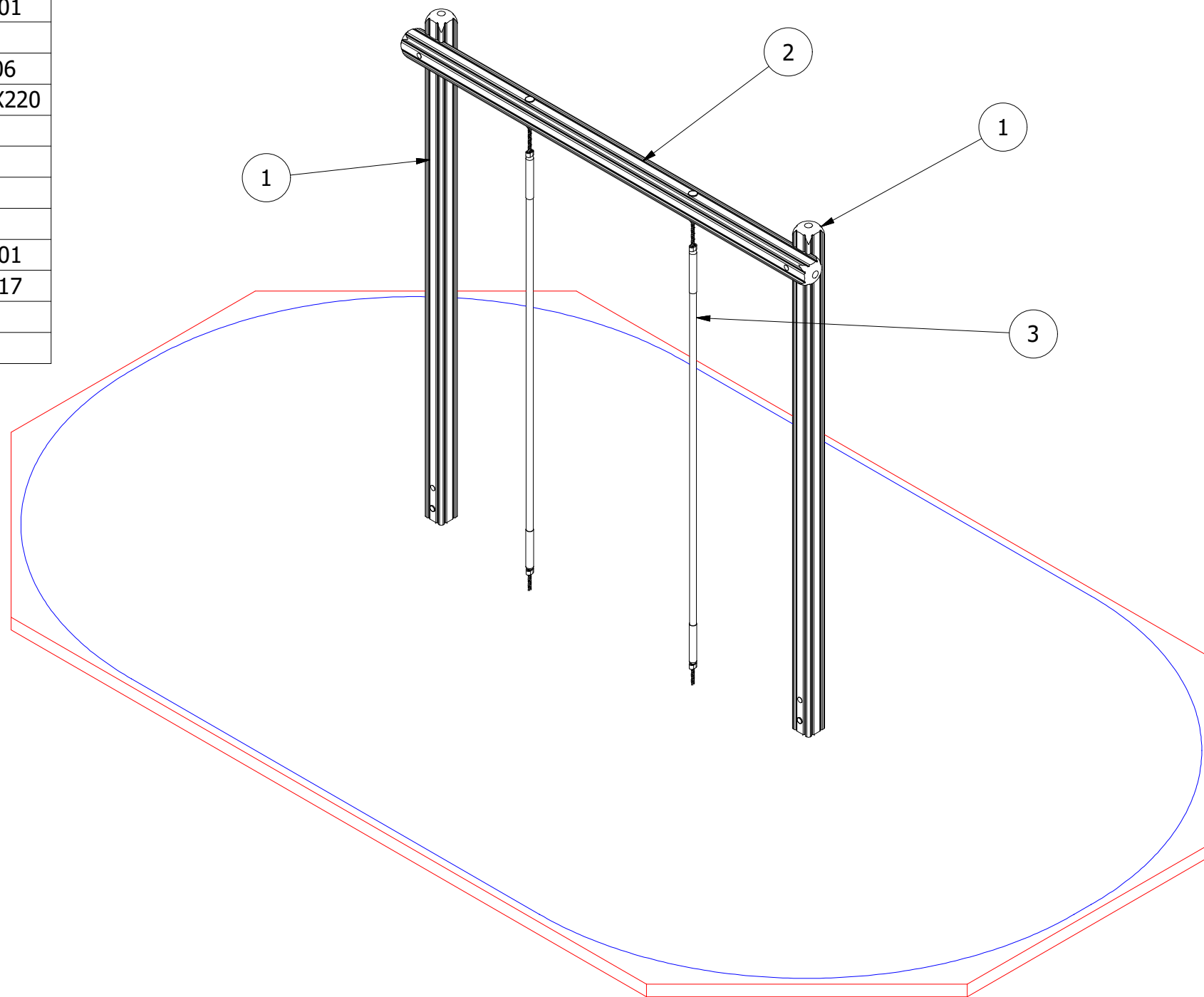


PARTS LIST

ITEM	QTY	PART NUMBER	DESCRIPTION	STOCK NUMBER
1	2	TB-200-327_B	3200MM X 125MM (POST INSERT)	COMTIMSAF0001
2	1	TB-200-619	3000mm x 125mm SAFALOG	COMTIMSAF0001
3	2	RS-100-039	36MM POLYHEMP ROPE	
4	2	MOD-600-121 GROUND FOOT (125)	GROUND FOOT (125)	SUBSTEMIS0006
5	2	M12 X 220 COACH BOLT	M12 X 220 (DIN 603)	COMA2CBM12X220
6	2	M12 NYLOC NUT	M12 NYLOC NUT (DIN 985)	COMA2NNM12
7	2	M12 WASHER	M12 WASHER (DIN 125)	COMA2FWM12
8	2	M16 NYLOC NUT	M16 NYLOC NUT (DIN 985)	COMA2NNM16
9	2	M16 WASHER	M16 WASHER (DIN 125)	COMA2FWM16
10	2	30MM BOLT COVER	30MM BLACK CAP	COMPLACAP0001
11	2	45MM BOLT COVER	45MM CAP	COMPLACAP0017
12	2	400 x 400 x 700	0.112 ³ CONCRETE FOUNDATION	
13	2	200 x 200 x 400	0.016 ³ CONCRETE FOUNDATION	

INDICATOR SIGN

ITEM	QTY	PART NUMBER	DESCRIPTION	STOCK NUMBER
2	1	PE-400-035	INDICATOR SIGN	COMSIGSIG0032
3	1	MOD-600-116 GROUND FOOT	GROUND FOOT (112)	SUBSTEMIS0004
4	4	M3 X 25 POZI PAN SCREW	25MM POZI PAN SCREW	COMHARSTA0009
5	1	300 x 300 x 400	0.036M ³ CONCRETE FOUNDATION	



NOTES:
 STEELWORK: EXPORT - ALUMINIUM
 U.K - STAINLESS STEEL
 INDICATOR SIGN: EXPORT - COMSIGSIG0042
 U.K - COMSIGSIG0032

UNLESS OTHERWISE SPECIFIED:
 DIMENSIONS ARE IN MILLIMETERS
 TOLERANCES:
 LINEAR: ±2MM
 1 DECIMAL PLACE: ±0.5MM
 ANGULAR: ±1°

PROPRIETARY AND CONFIDENTIAL
 THE INFORMATION CONTAINED IN THIS
 DRAWING IS THE SOLE PROPERTY OF
 FENLAND LEISURE PRODUCTS. ANY
 REPRODUCTION IN PART OR AS A WHOLE
 WITHOUT THE WRITTEN PERMISSION
 OF FENLAND
 LEISURE PRODUCTS IS PROHIBITED.

Title: PRO-500-130 ROPE CLIMB (FC3)

Product Range: FITNESS TRAIL

<2.0M FFH

Date:
23/09/2019

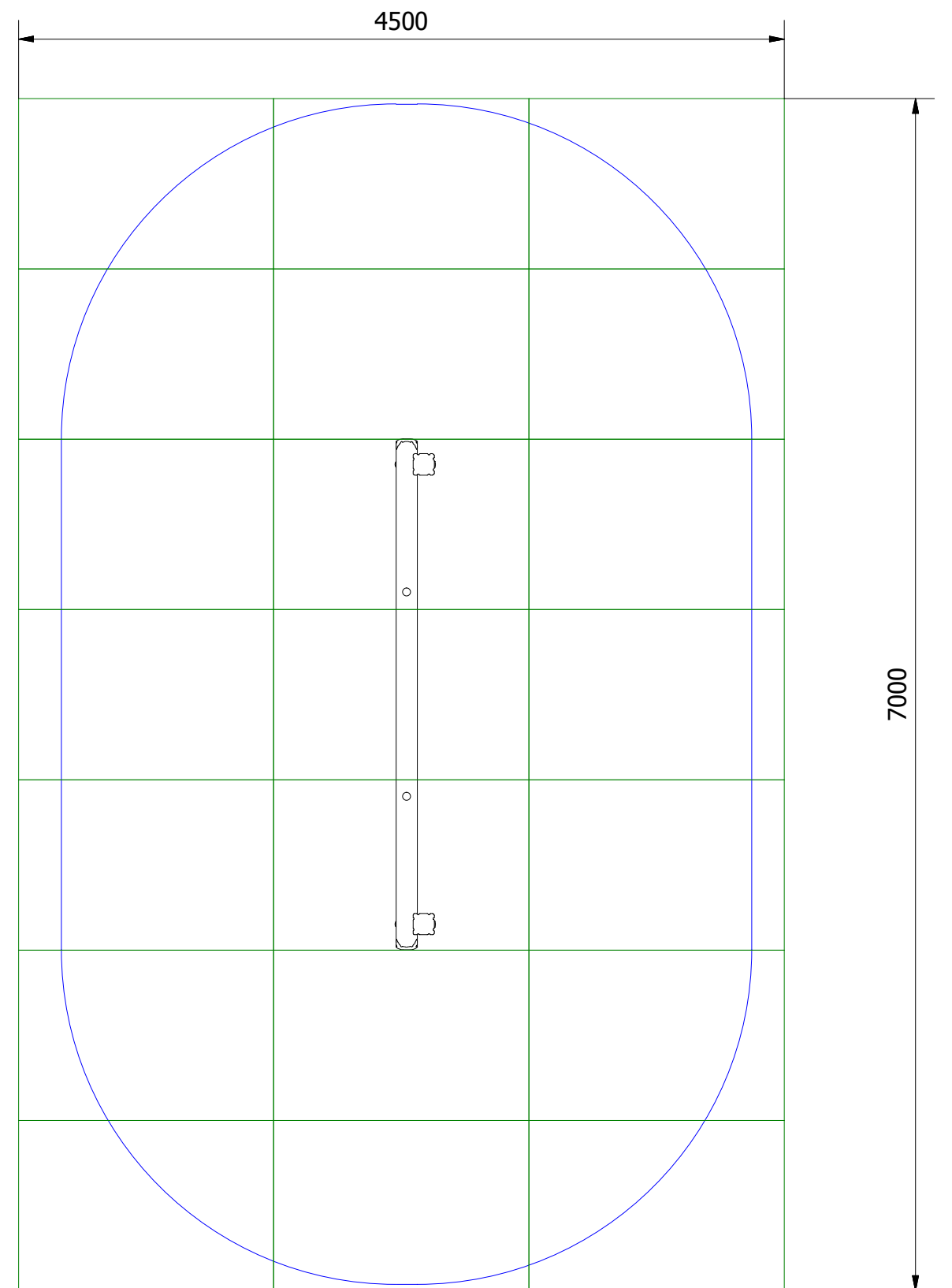
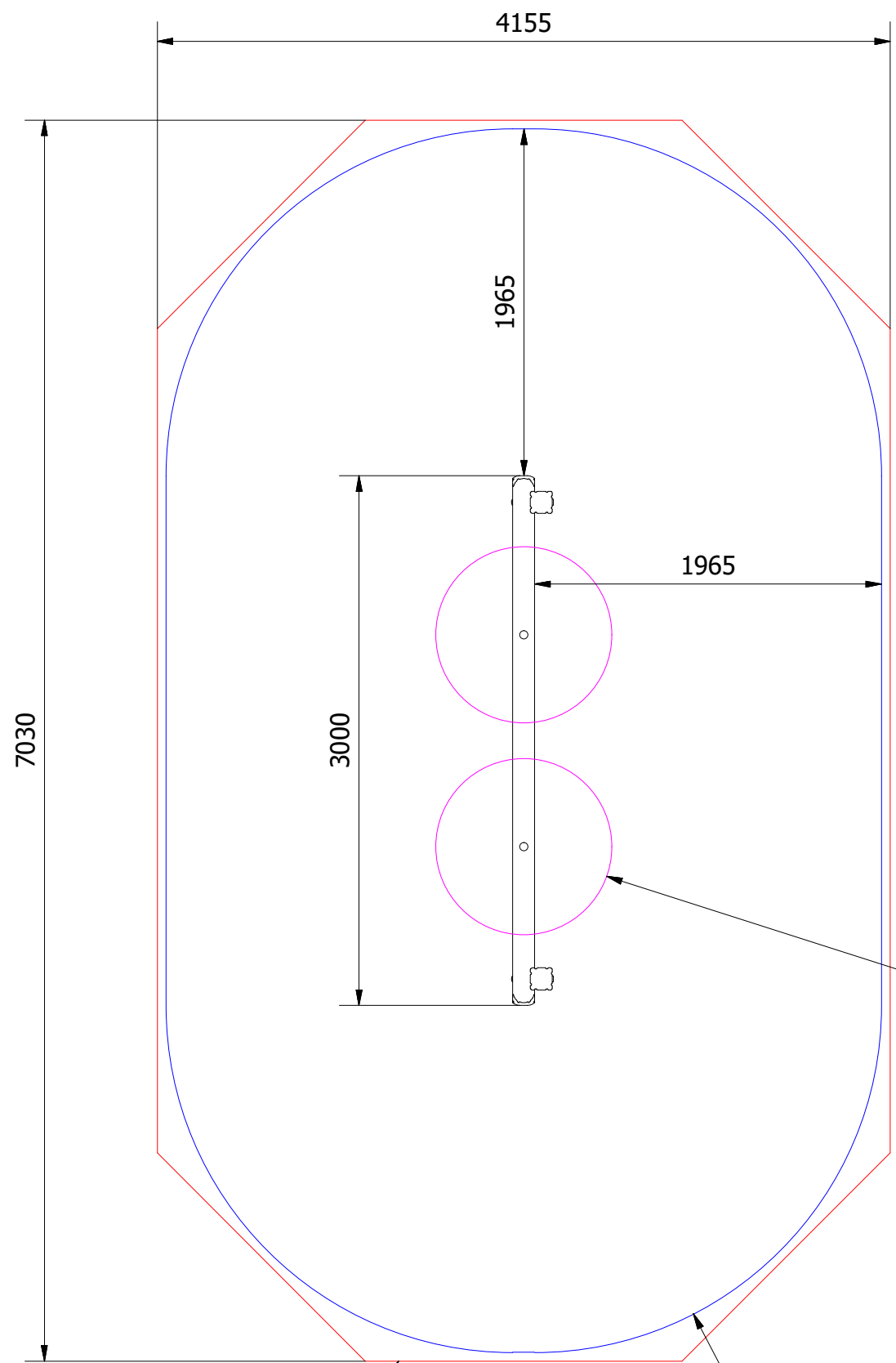
Page:

A3



DO NOT SCALE FROM DRAWING

Tel: 01354 638359 www.onlineplaygrounds.co.uk



TRAINING SPACE

21 SAFAGRASS TILES (1.5 X 1.0M)

MIN SPACE

WETPOUR AREA = 26.5M²
PERIMETER = 19.6 L/M

UNLESS OTHERWISE SPECIFIED:
DIMENSIONS ARE IN MILLIMETERS
TOLERANCES:
LINEAR: ±2MM
1 DECIMAL PLACE: ±0.5MM
ANGULAR: ±1°

PROPRIETARY AND CONFIDENTIAL
THE INFORMATION CONTAINED IN THIS
DRAWING IS THE SOLE PROPERTY OF
FENLAND LEISURE PRODUCTS. ANY
REPRODUCTION IN PART OR AS A WHOLE
WITHOUT THE WRITTEN PERMISSION
OF FENLAND
LEISURE PRODUCTS IS PROHIBITED.

Title: PRO-500-130 ROPE CLIMB (FC3)

Product Range: FITNESS TRAIL

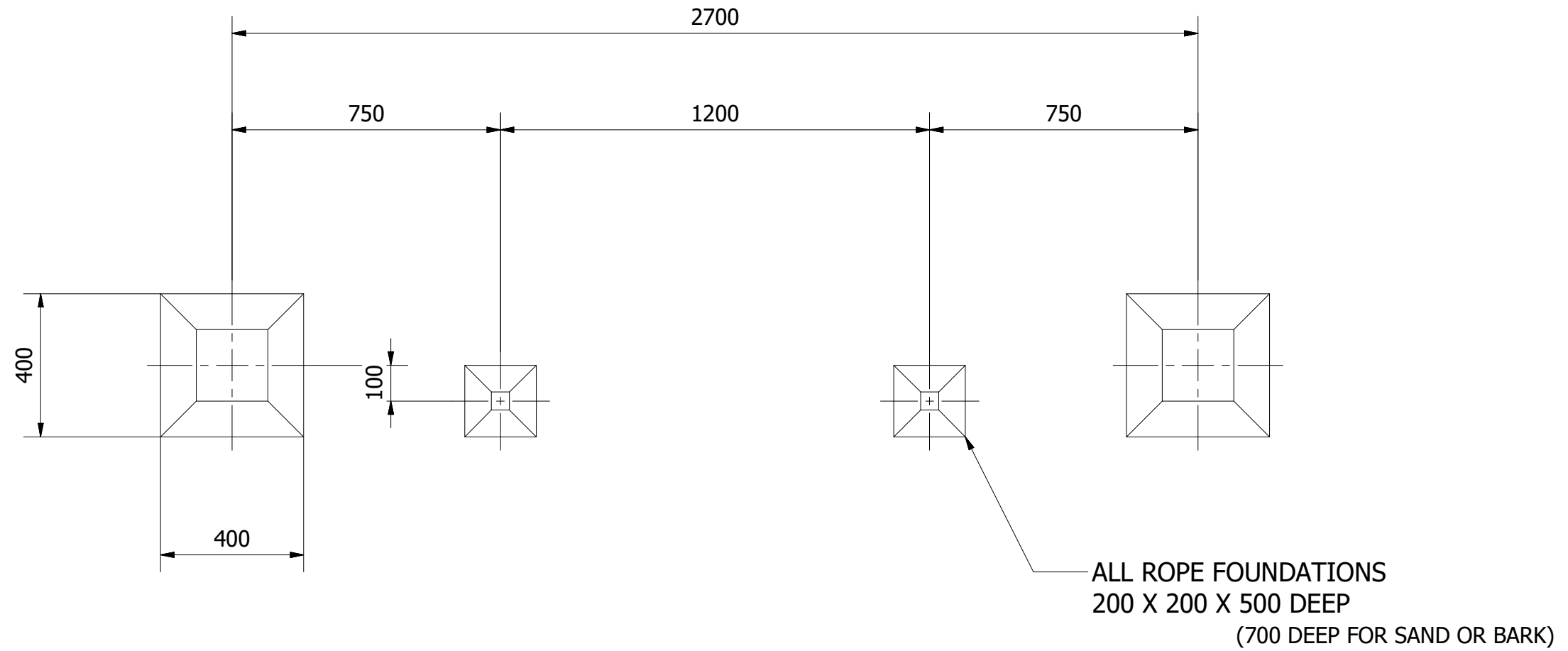
Date:
23/09/2019

Page:
A3

DO NOT SCALE FROM DRAWING

Tel: 01354 638359 www.onlineplaygrounds.co.uk





ALL FOUNDATIONS 400 X 400 X 800 DEEP UNLESS OTHERWISE SPECIFIED
1000 DEEP FOR SAND OR BARK

UNLESS OTHERWISE SPECIFIED: DIMENSIONS ARE IN MILLIMETERS TOLERANCES: LINEAR: ±2MM 1 DECIMAL PLACE: ±0.5MM ANGULAR: ±1°	PROPRIETARY AND CONFIDENTIAL THE INFORMATION CONTAINED IN THIS DRAWING IS THE SOLE PROPERTY OF FENLAND LEISURE PRODUCTS. ANY REPRODUCTION IN PART OR AS A WHOLE WITHOUT THE WRITTEN PERMISSION OF FENLAND LEISURE PRODUCTS IS PROHIBITED.	Title: PRO-500-130 ROPE CLIMB (FC3)	
		Product Range: FITNESS TRAIL	
		Date: 23/09/2019	
		Page: A3	
		DO NOT SCALE FROM DRAWING	
		Tel: 01354 638359 www.onlineplaygrounds.co.uk	

