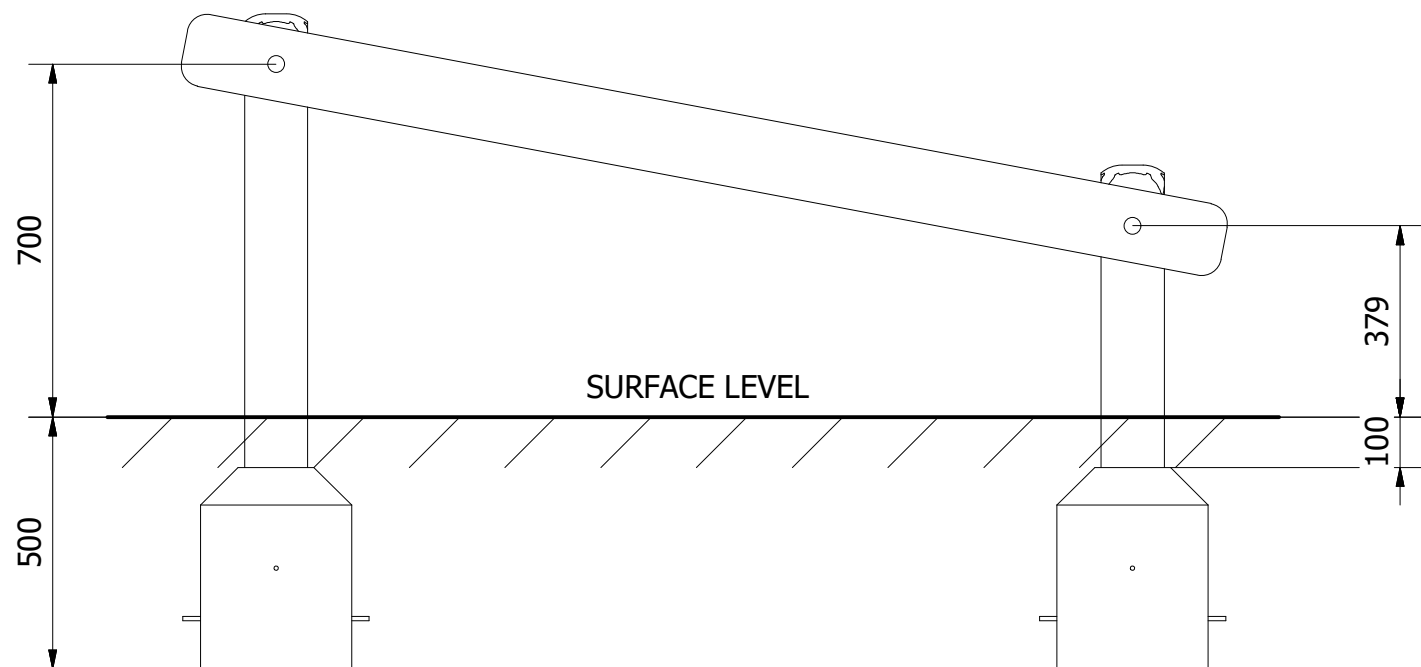
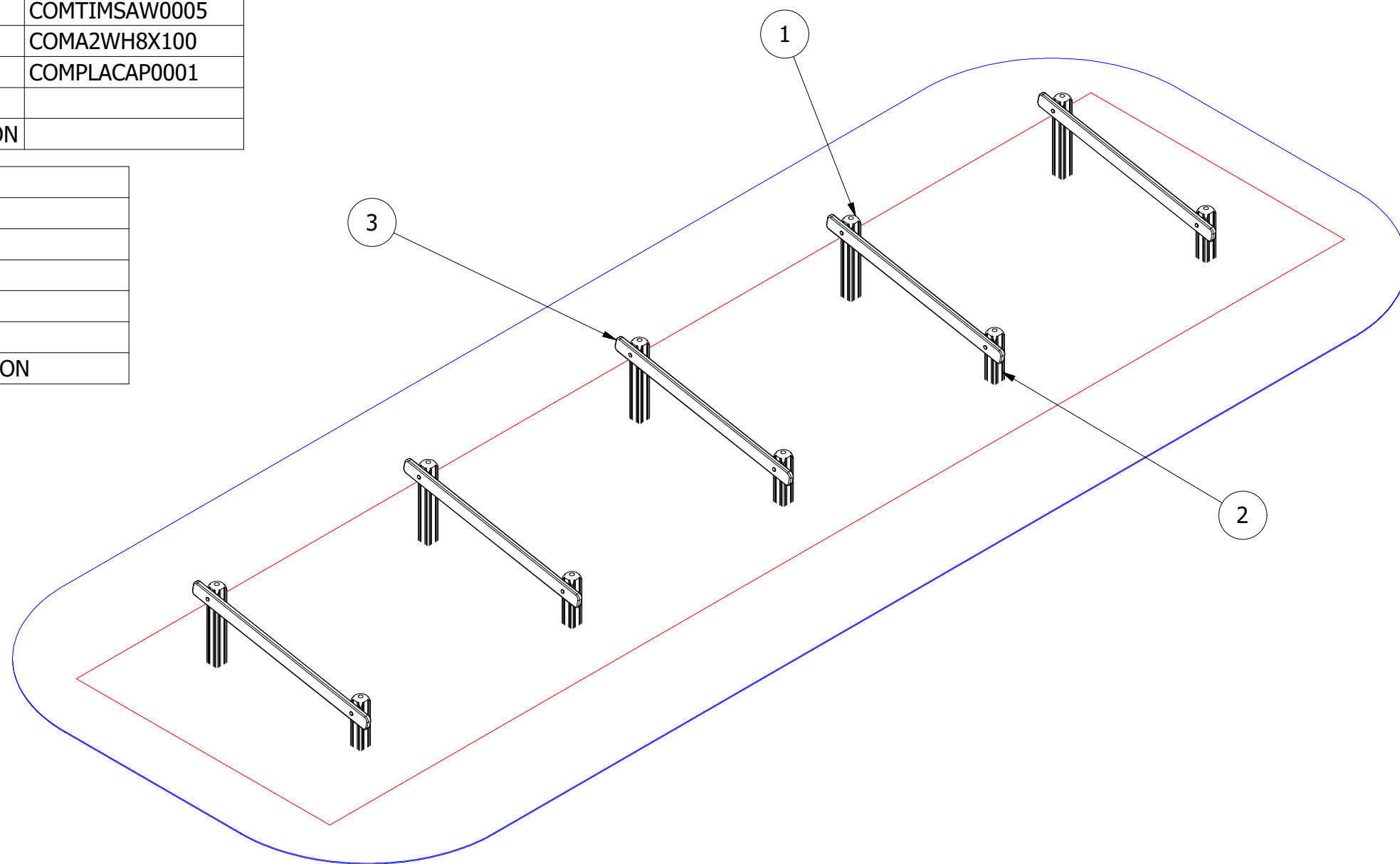


PARTS LIST

ITEM	QTY	PART NUMBER	DESCRIPTION	STOCK NUMBER
1	5	TB-200-616	1300mm x 125mm SAFALOG	COMTIMSAF0001
2	5	TB-200-617	1000mm x 125mm SAFALOG	COMTIMSAF0001
3	5	TB-200-618	2100 X 145 X 45	COMTIMSAW0005
4	10	M8 X 100 TORX WASHER HEAD	100MM WASHER HEAD	COMA2WH8X100
5	10	30MM BOLT COVER	30MM BLACK CAP	COMPLACAP0001
6	20	GROUND IRON	FOUNDATION GROUND IRON	
7	10	300 x 300 x 400	0.036M ³ CONCRETE FOUNDATION	

INDICATOR SIGN

ITEM	QTY	PART NUMBER	DESCRIPTION
1	1	TB-200-399	1650 x 112mm (FC281650P)
2	1	PE-400-035	COMSIGSIG0032
3	4	M3 X 25 POZI PAN SCREW	COMHARSTA0009
4	1	GROUND IRON	FOUNDATION GROUND IRON
5	1	300 x 300 x 400	0.036M ³ CONCRETE FOUNDATION



UNLESS OTHERWISE SPECIFIED:
DIMENSIONS ARE IN MILLIMETERS
TOLERANCES:
LINEAR: ±2MM
1 DECIMAL PLACE: ±0.5MM
ANGULAR: ±1°

PROPRIETARY AND CONFIDENTIAL
THE INFORMATION CONTAINED IN THIS
DRAWING IS THE SOLE PROPERTY OF
FENLAND LEISURE PRODUCTS. ANY
REPRODUCTION IN PART OR AS A WHOLE
WITHOUT THE WRITTEN PERMISSION
OF FENLAND
LEISURE PRODUCTS IS PROHIBITED.

Title: PRO-500-129 STRIDE JUMPS (FC20)

Product Range: FITNESS TRAIL

<1.0M FFH

Date:
17/09/2019

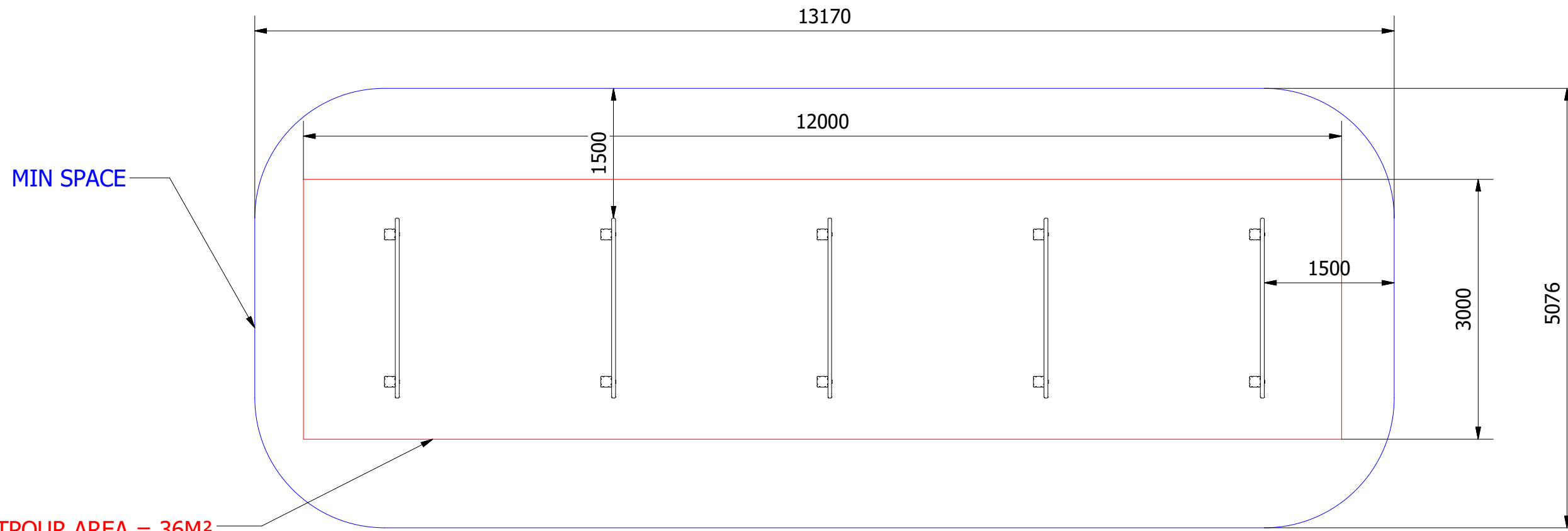
Page:

A3

DO NOT SCALE FROM DRAWING

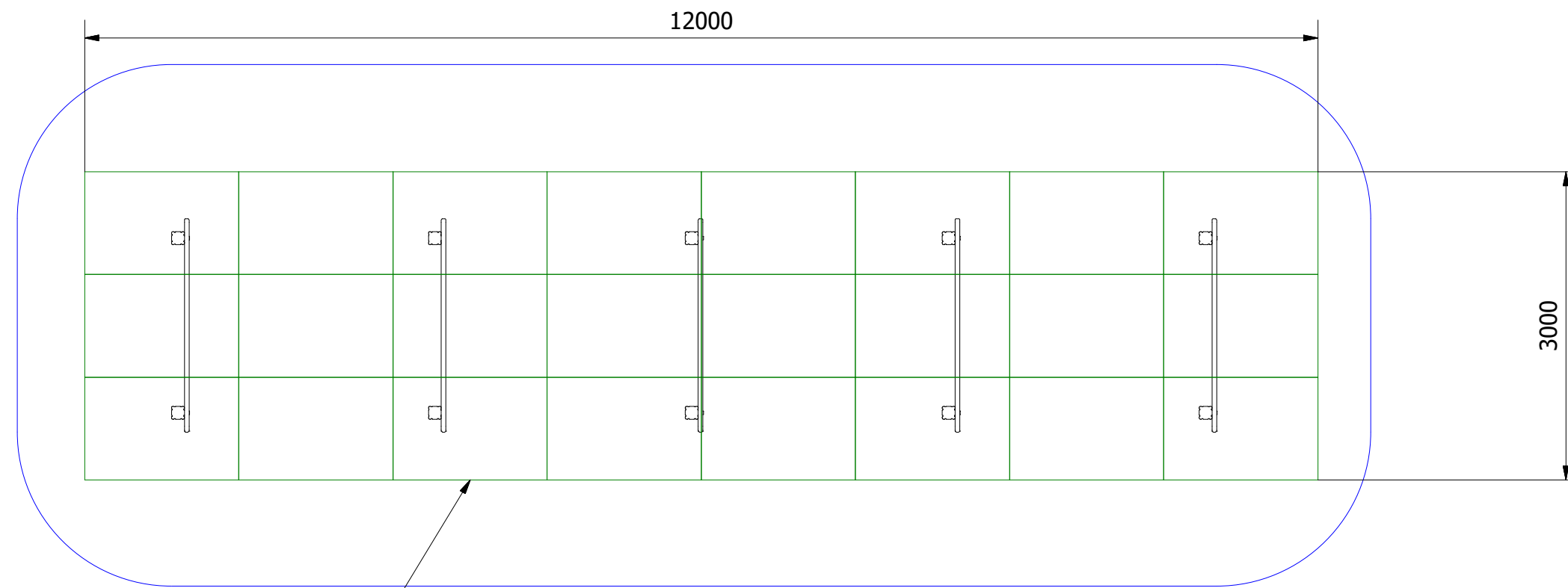
Tel: 01354 638359 www.onlineplaygrounds.co.uk





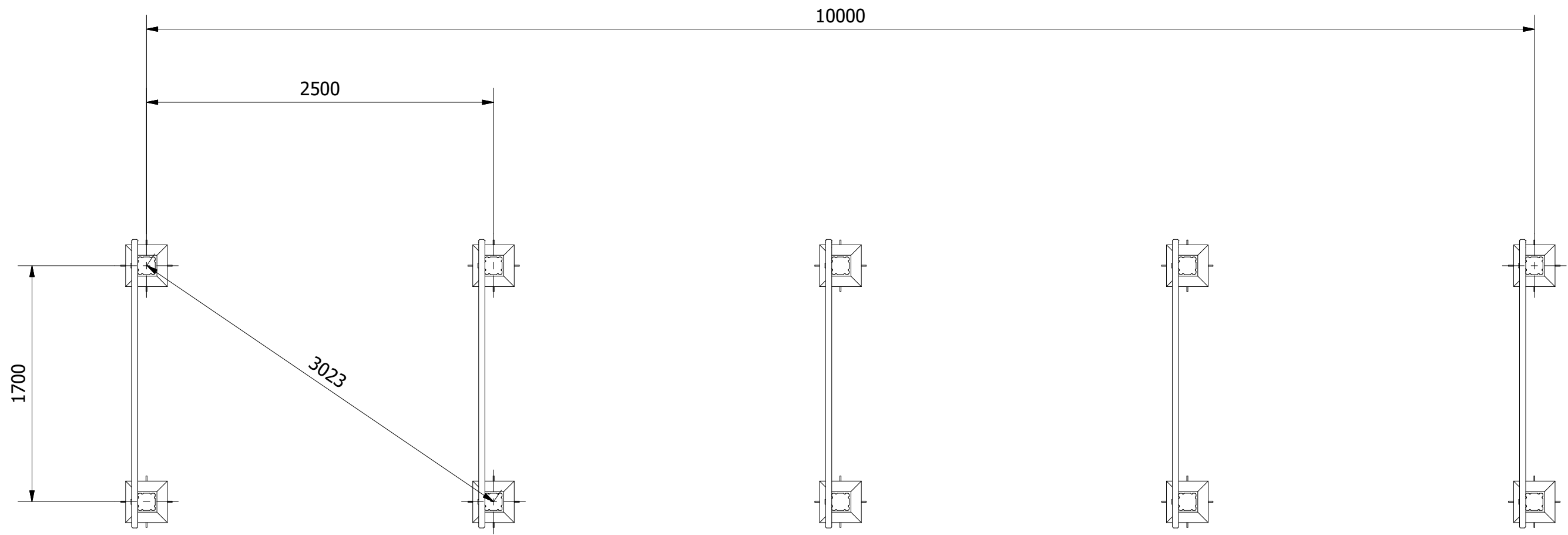
MIN SPACE

WETPOUR AREA = 36M²
PERIMETER = 30 L/M




24 SAFAGRASS TILES (1.5 X 1.0M)

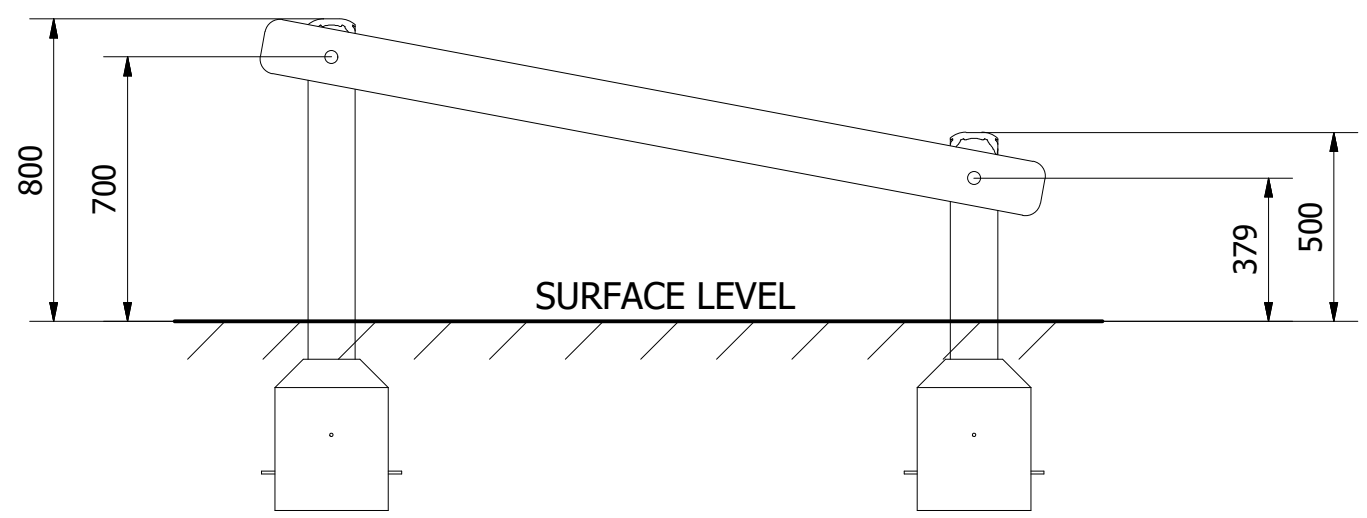
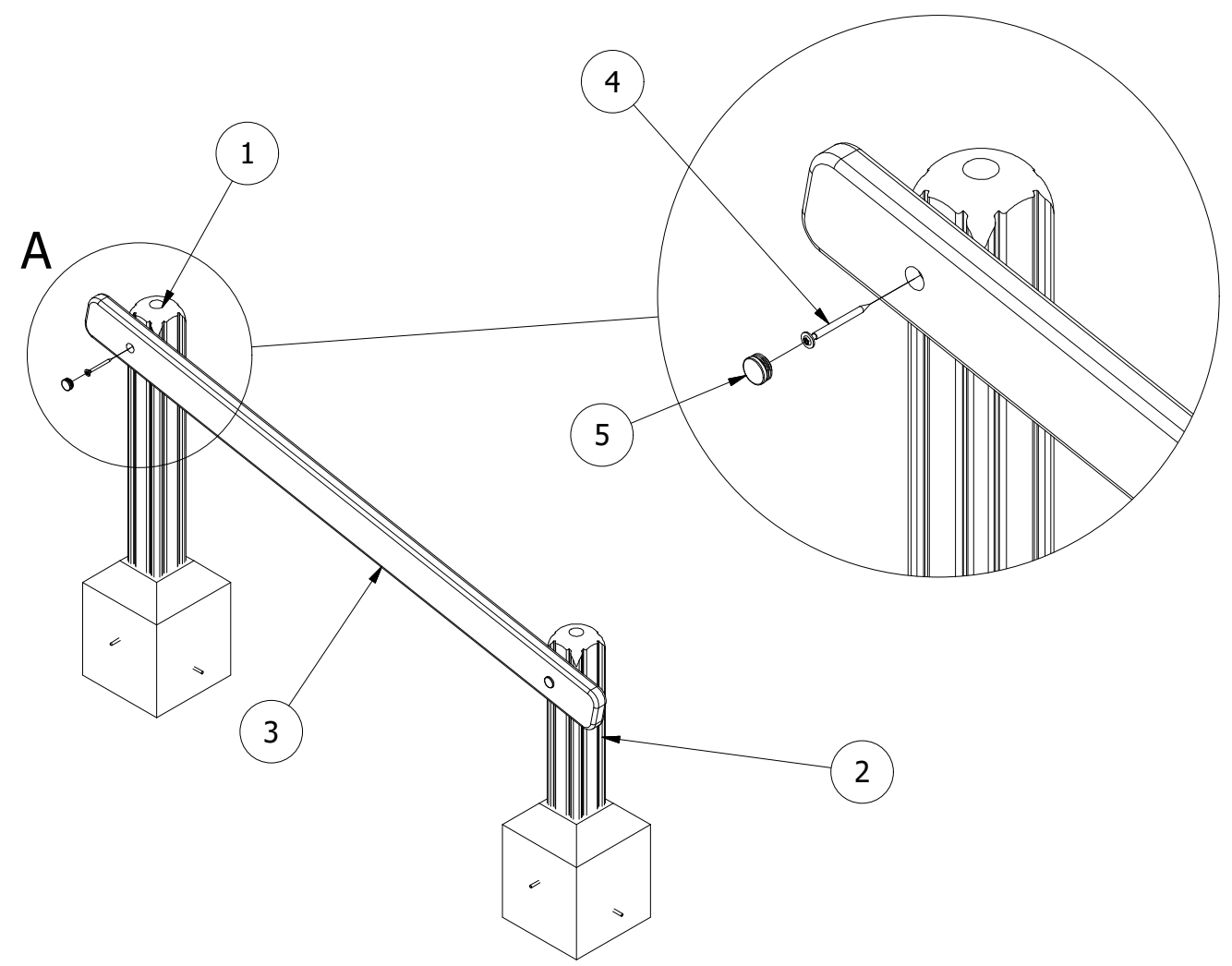
UNLESS OTHERWISE SPECIFIED: DIMENSIONS ARE IN MILLIMETERS TOLERANCES: LINEAR: ±2MM 1 DECIMAL PLACE: ±0.5MM ANGULAR: ±1°	PROPRIETARY AND CONFIDENTIAL THE INFORMATION CONTAINED IN THIS DRAWING IS THE SOLE PROPERTY OF FENLAND LEISURE PRODUCTS. ANY REPRODUCTION IN PART OR AS A WHOLE WITHOUT THE WRITTEN PERMISSION OF FENLAND LEISURE PRODUCTS IS PROHIBITED.	Title: PRO-500-129 STRIDE JUMPS (FC20)	
		Product Range: FITNESS TRAIL	
		Date: 17/09/2019	
		Page: A3	
		DO NOT SCALE FROM DRAWING	
Tel: 01354 638359 www.onlineplaygrounds.co.uk			



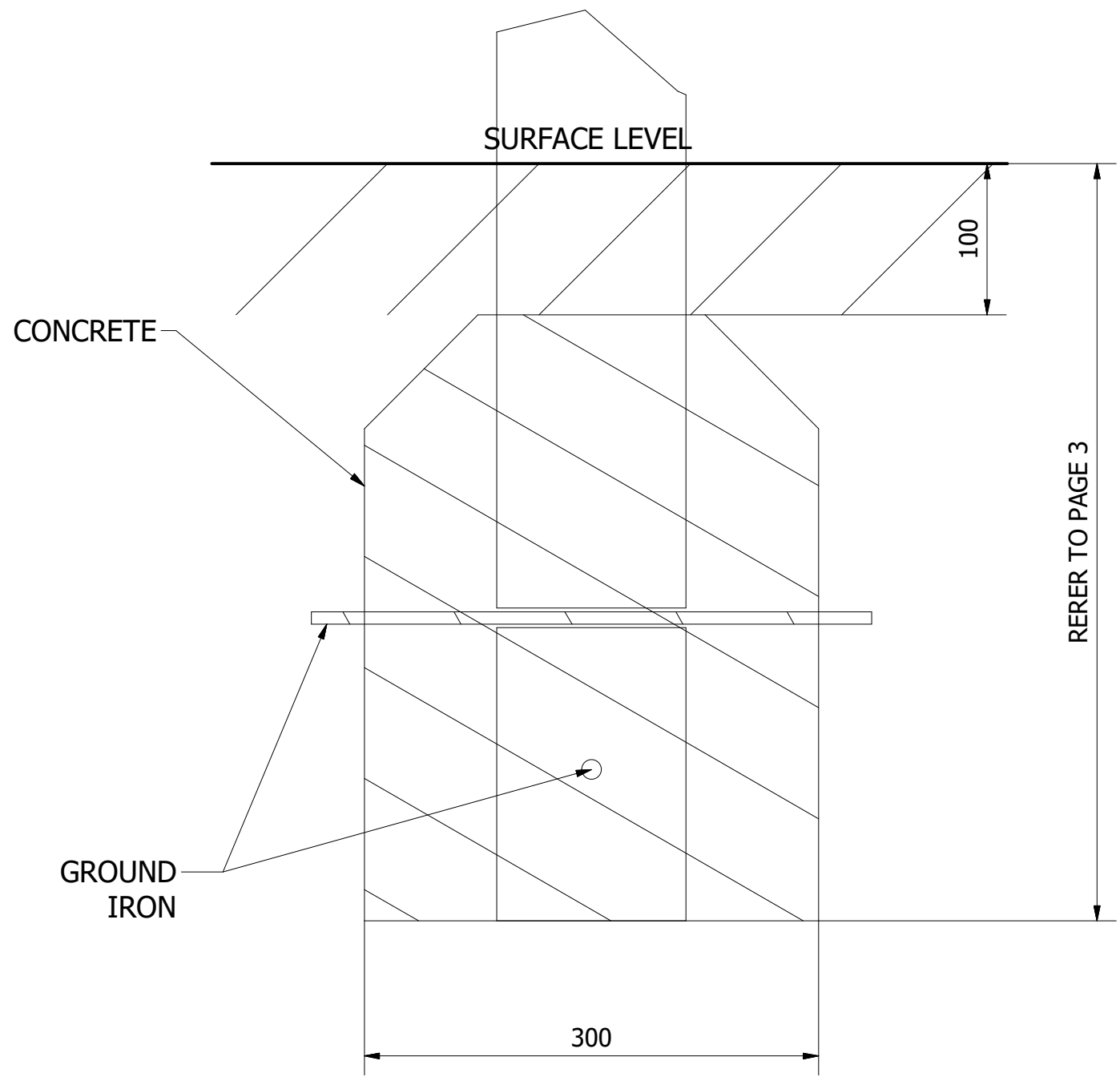
ALL FOUNDATIONS 300 X 300 X 500 DEEP UNLESS OTHERWISE SPECIFIED

UNLESS OTHERWISE SPECIFIED: DIMENSIONS ARE IN MILLIMETERS TOLERANCES: LINEAR: ±2MM 1 DECIMAL PLACE: ±0.5MM ANGULAR: ±1°	PROPRIETARY AND CONFIDENTIAL THE INFORMATION CONTAINED IN THIS DRAWING IS THE SOLE PROPERTY OF FENLAND LEISURE PRODUCTS. ANY REPRODUCTION IN PART OR AS A WHOLE WITHOUT THE WRITTEN PERMISSION OF FENLAND LEISURE PRODUCTS IS PROHIBITED.	Title: PRO-500-129 STRIDE JUMPS (FC20)	
		Product Range: FITNESS TRAIL	
		Date: 17/09/2019	
		Page: A3	
		DO NOT SCALE FROM DRAWING Tel: 01354 638359 www.onlineplaygrounds.co.uk	

1. AS SHOWN BELOW, CREATE THE H-FRAME BY CONNECTING POST ITEM 3, TO POST ITEM 1 & 2 USING THE SUPPLIED FIXINGS. POSITION THE FRAME INTO THE FOUNDATION HOLES DETAILED ON PREVIOUS PAGE.



2. FINALLY, ENSURE THE UNIT IS LEVEL & PLUMB, ALL FIXINGS HAVE BEEN TIGHTENED AND PROTECTIVE CAPS IN PLACE. ADD CONCRETE TO THE FOUNDATION HOLE AND LEAVE FOR 48 HOURS



UNLESS OTHERWISE SPECIFIED: DIMENSIONS ARE IN MILLIMETERS TOLERANCES: LINEAR: ±2MM 1 DECIMAL PLACE: ±0.5MM ANGULAR: ±1°	PROPRIETARY AND CONFIDENTIAL THE INFORMATION CONTAINED IN THIS DRAWING IS THE SOLE PROPERTY OF FENLAND LEISURE PRODUCTS. ANY REPRODUCTION IN PART OR AS A WHOLE WITHOUT THE WRITTEN PERMISSION OF FENLAND LEISURE PRODUCTS IS PROHIBITED.	Title: PRO-500-129 STRIDE JUMPS (FC20)	
		Product Range: FITNESS TRAIL	
		Date: 17/09/2019	
		Page: A3	
		DO NOT SCALE FROM DRAWING	
		Tel: 01354 638359 www.onlineplaygrounds.co.uk	