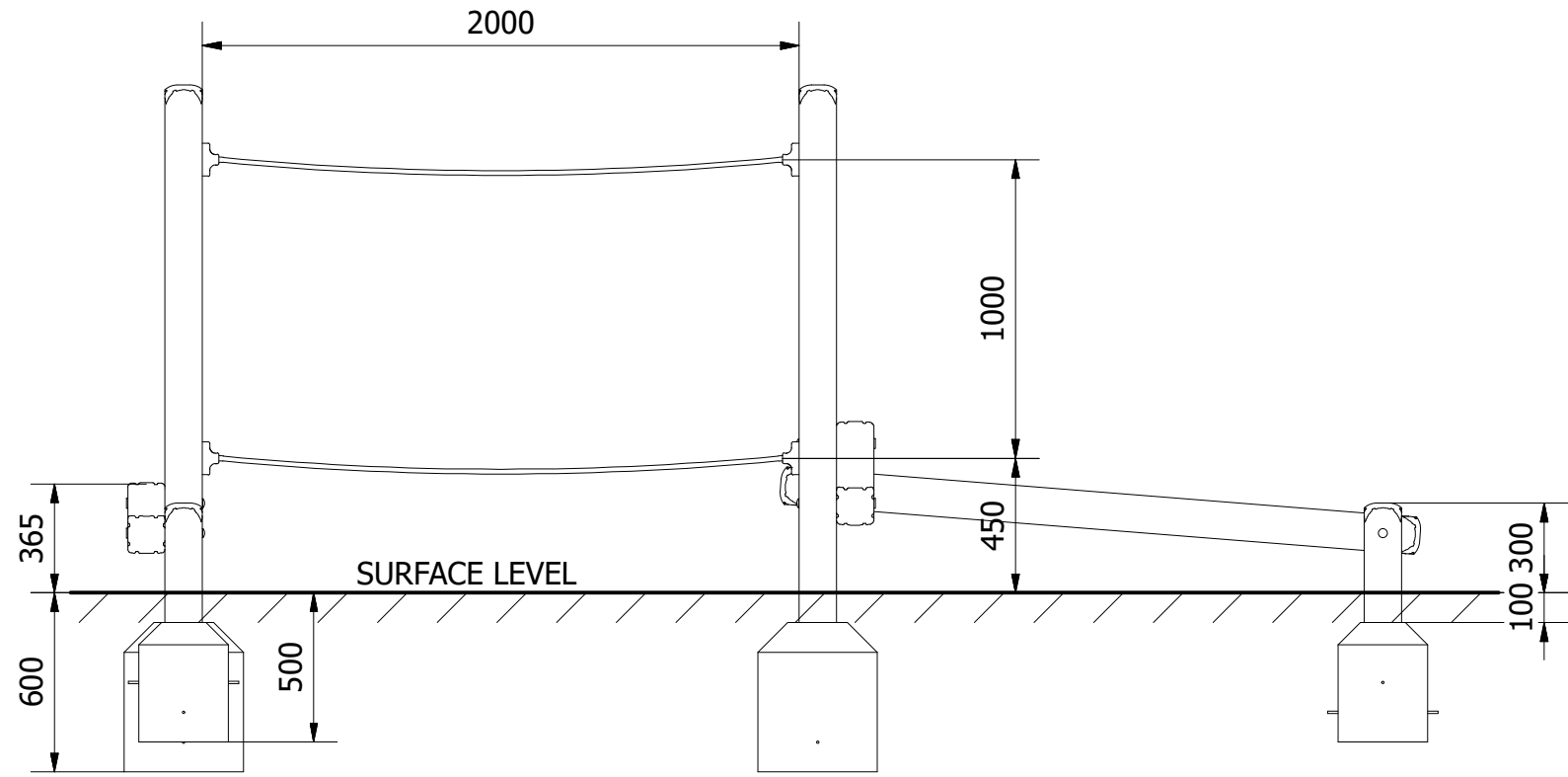
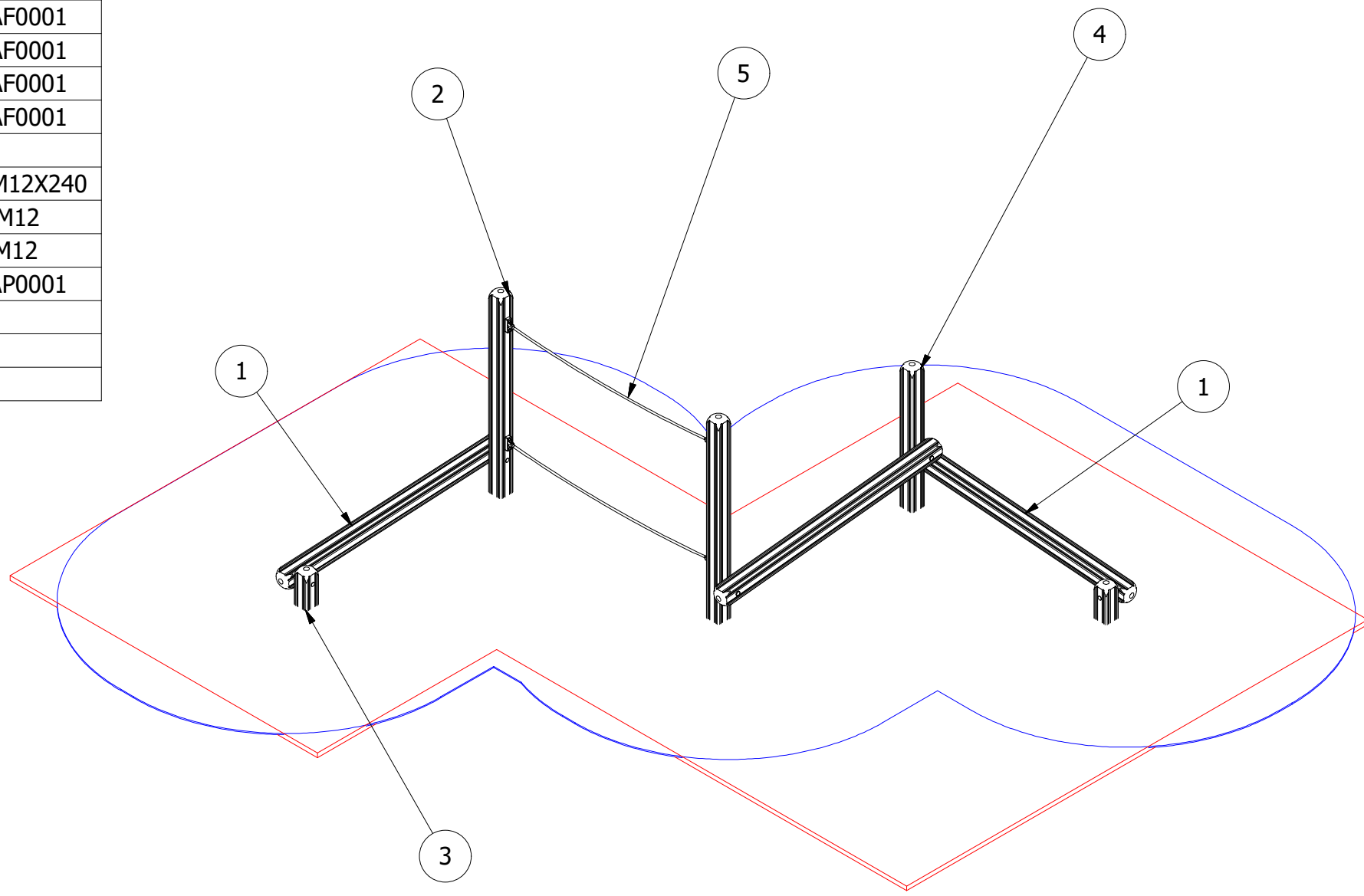



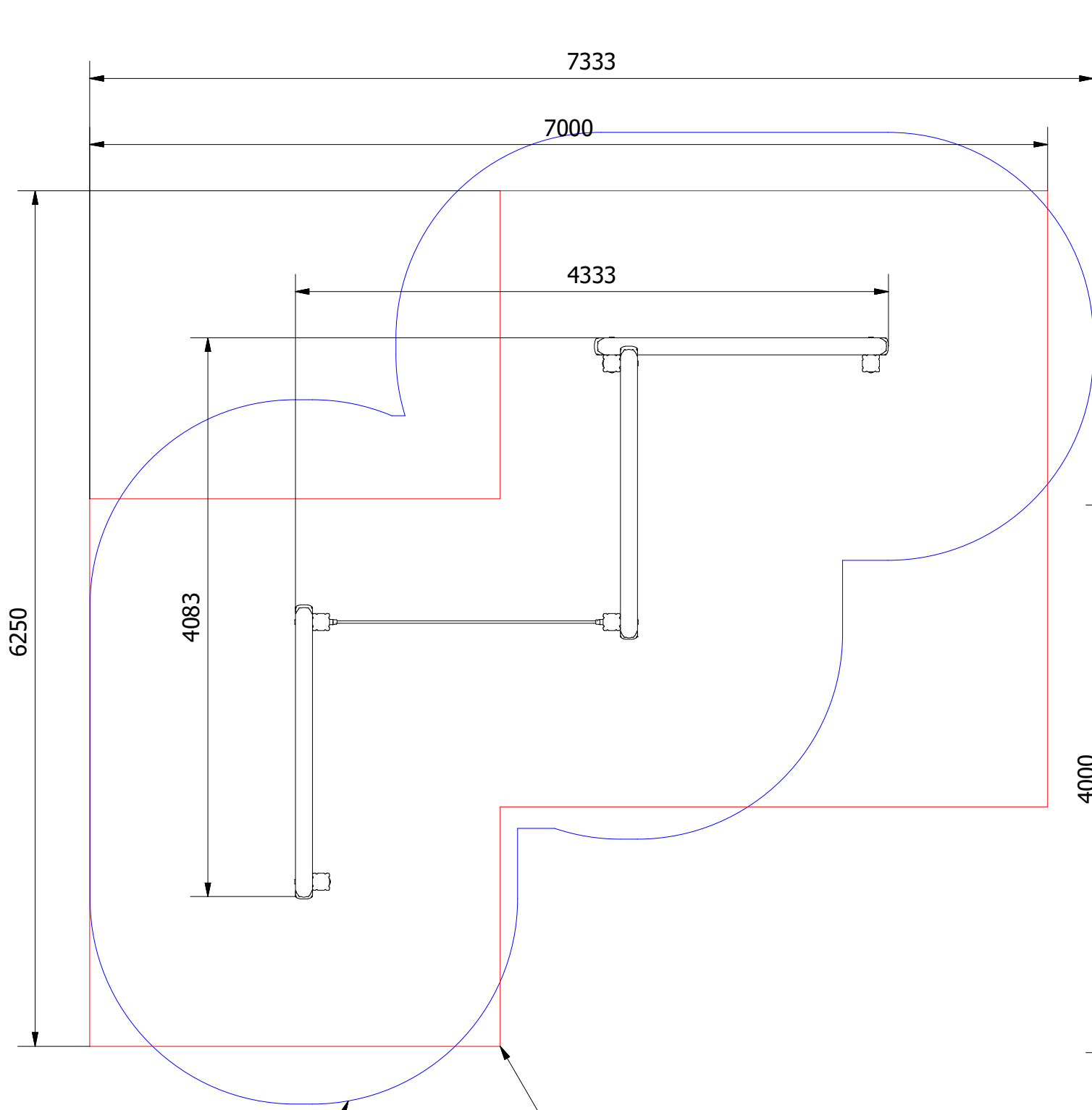
PARTS LIST				
ITEM	QTY	PART NUMBER	DESCRIPTION	STOCK NUMBER
1	3	TB-200-348	2150mm x 125mm SAFALOG	COMTIMSAF0001
2	2	TB-200-517	2300mm x 125mm SAFALOG	COMTIMSAF0001
3	2	TB-200-518	800mm x 125mm SAFALOG	COMTIMSAF0001
4	1	TB-200-519	1800mm x 125mm SAFALOG	COMTIMSAF0001
5	1	MOD-600-010 - LINK DUAL ROPE	LINK DUAL ROPE	
6	6	M12 X 240 COACH BOLT	M12 x 240 (DIN 603)	COMA2CBM12X240
7	6	M12 WASHER	M12 WASHER (DIN 125)	COMA2FWM12
8	6	M12 NYLOC NUT	M12 NYLOC NUT (DIN 985)	COMA2NNM12
9	6	30MM BOLT COVER	30MM BLACK CAP	COMPLACAP0001
10	10	GROUND IRON	FOUNDATION GROUND IRON	
11	2	300 x 300 x 400	0.036M ³ CONCRETE FOUNDATION	
12	3	400 x 400 x 500	0.08 ³ CONCRETE FOUNDATION	

FITNESS INDICATOR SIGN			
ITEM	QTY	PART NUMBER	DESCRIPTION
1	1	TB-200-399	1650 x 112mm (FC281650P)
2	1	PE-400-035	COMSIGSIG0032
3	4	M3 X 25 POZI PAN SCREW	COMHARSTA0009
4	1	GROUND IRON	FOUNDATION GROUND IRON
5	1	300 x 300 x 400	0.036M ³ CONCRETE FOUNDATION



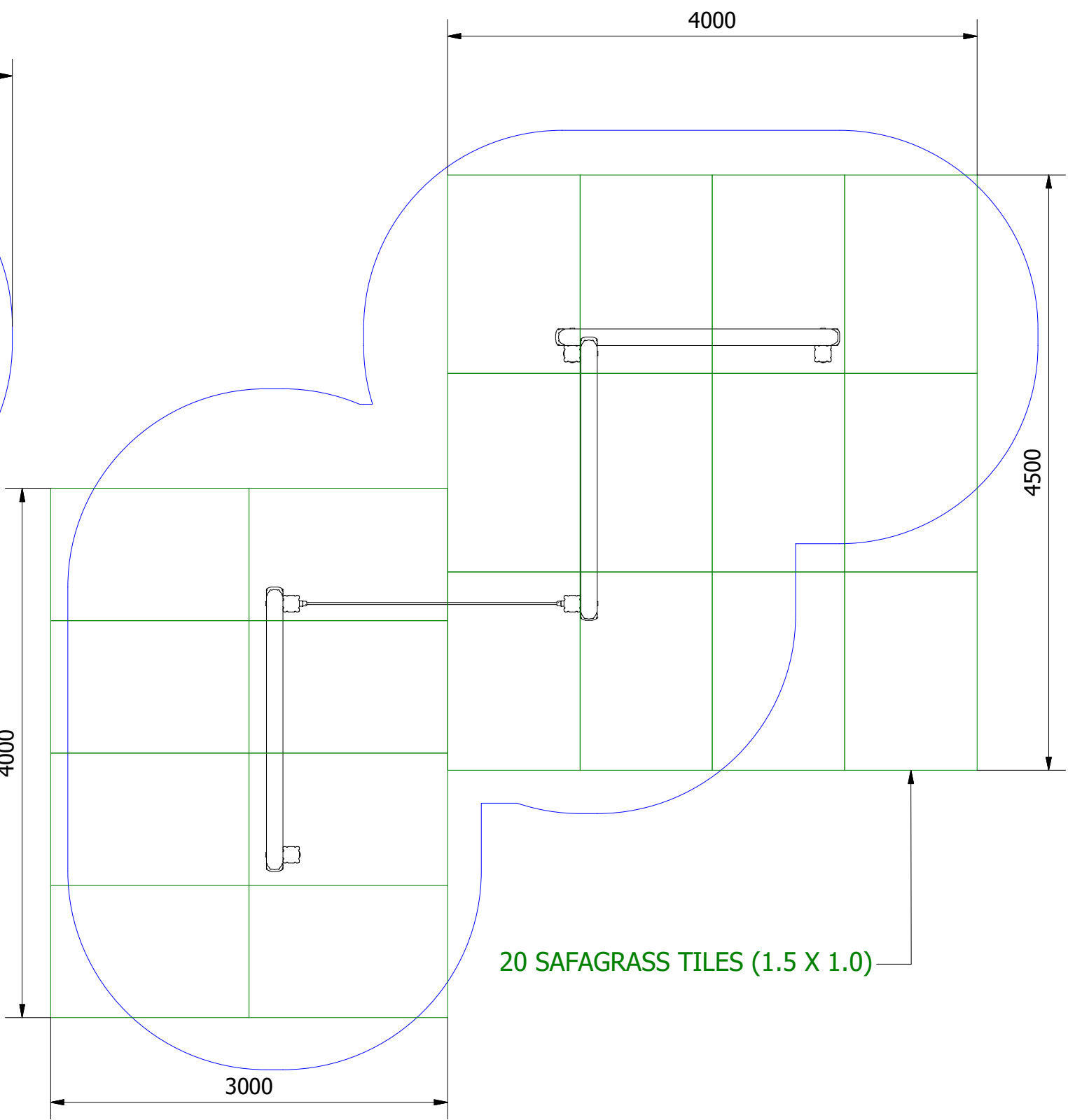
NOTES:
 STEELWORK: EXPORT - ALUMINIUM
 U.K - STAINLESS STEEL
 INDICATOR SIGN: EXPORT - COMSIGSIG0042
 U.K - COMSIGSIG0032

UNLESS OTHERWISE SPECIFIED: DIMENSIONS ARE IN MILLIMETERS TOLERANCES: LINEAR: ±2MM 1 DECIMAL PLACE: ±0.5MM ANGULAR: ±1°	PROPRIETARY AND CONFIDENTIAL THE INFORMATION CONTAINED IN THIS DRAWING IS THE SOLE PROPERTY OF FENLAND LEISURE PRODUCTS. ANY REPRODUCTION IN PART OR AS A WHOLE WITHOUT THE WRITTEN PERMISSION OF FENLAND LEISURE PRODUCTS IS PROHIBITED.	Title: PRO-500-107 BALANCE COMBO (AT3)	
		Product Range: FITNESS TRAIL	
		<0.6M FFH	Date: 07/05/2019
		DO NOT SCALE FROM DRAWING	
		Tel: 01354 638359 www.onlineplaygrounds.co.uk	



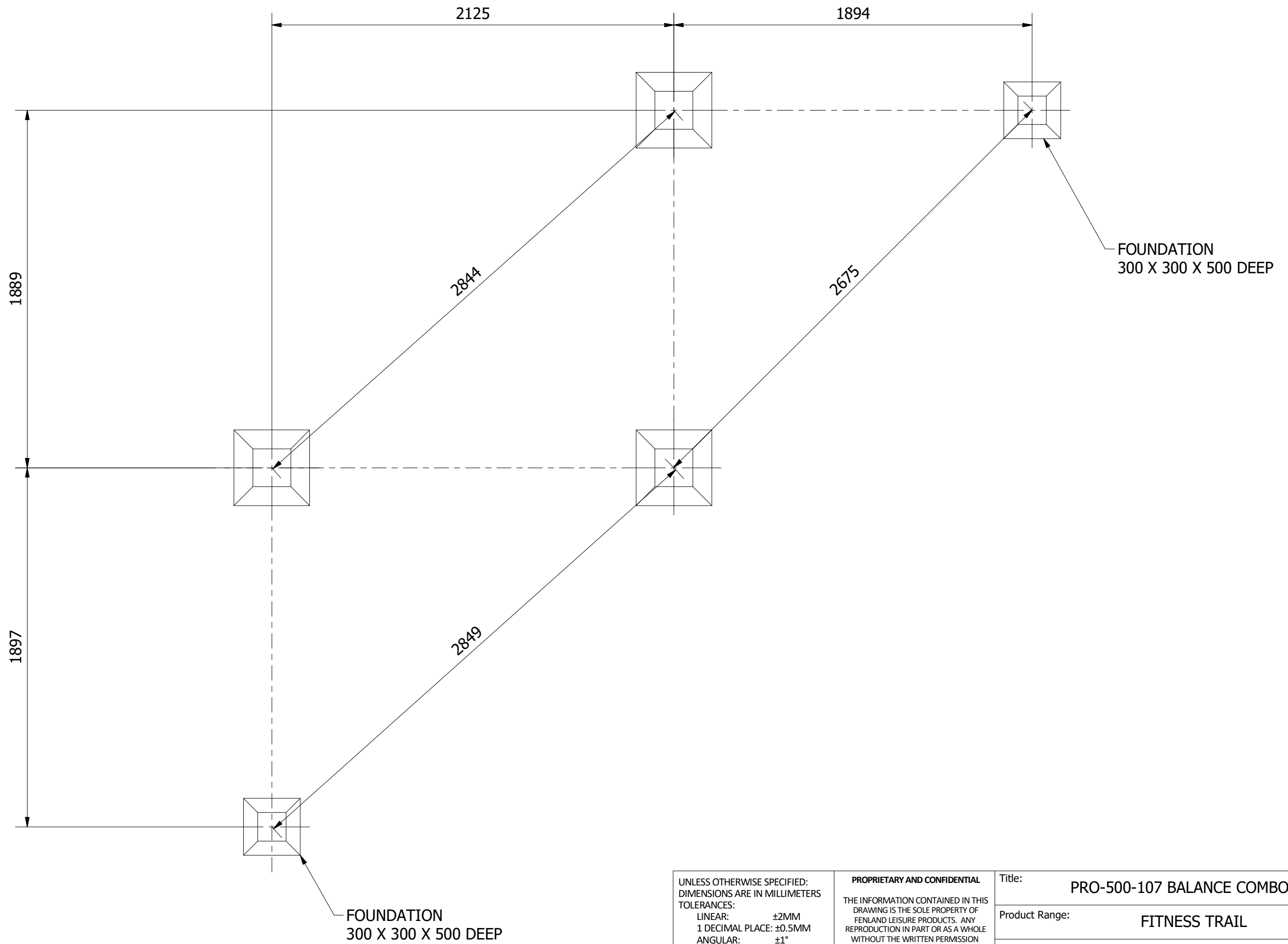
WETPOUR AREA = 30.0M²
 PERIMETER = 26.5 L/M

MIN SPACE



20 SAFAGRASS TILES (1.5 X 1.0)

UNLESS OTHERWISE SPECIFIED: DIMENSIONS ARE IN MILLIMETERS TOLERANCES: LINEAR: ±2MM 1 DECIMAL PLACE: ±0.5MM ANGULAR: ±1°	PROPRIETARY AND CONFIDENTIAL THE INFORMATION CONTAINED IN THIS DRAWING IS THE SOLE PROPERTY OF FENLAND LEISURE PRODUCTS. ANY REPRODUCTION IN PART OR AS A WHOLE WITHOUT THE WRITTEN PERMISSION OF FENLAND LEISURE PRODUCTS IS PROHIBITED.	Title: PRO-500-107 BALANCE COMBO (AT3)	
		Product Range: FITNESS TRAIL	
		Date: 07/05/2019	Page: A3
		DO NOT SCALE FROM DRAWING	
		Tel: 01354 638359 www.onlineplaygrounds.co.uk	



UNLESS OTHERWISE SPECIFIED:
DIMENSIONS ARE IN MILLIMETERS
TOLERANCES:
LINEAR: ±2MM
1 DECIMAL PLACE: ±0.5MM
ANGULAR: ±1°

PROPRIETARY AND CONFIDENTIAL
THE INFORMATION CONTAINED IN THIS
DRAWING IS THE SOLE PROPERTY OF
FENLAND LEISURE PRODUCTS. ANY
REPRODUCTION IN PART OR AS A WHOLE
WITHOUT THE WRITTEN PERMISSION
OF FENLAND
LEISURE PRODUCTS IS PROHIBITED.

Title: PRO-500-107 BALANCE COMBO (AT3)

Product Range: FITNESS TRAIL

Date:
07/05/2019

Page:
A3

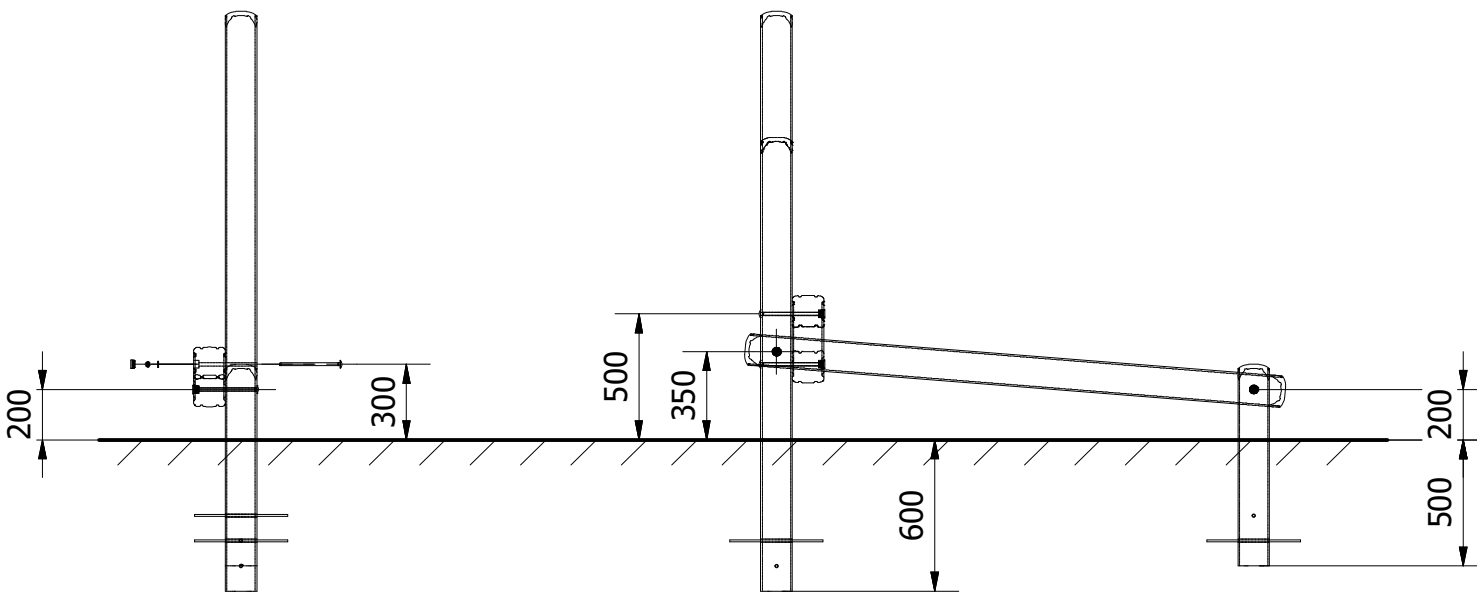
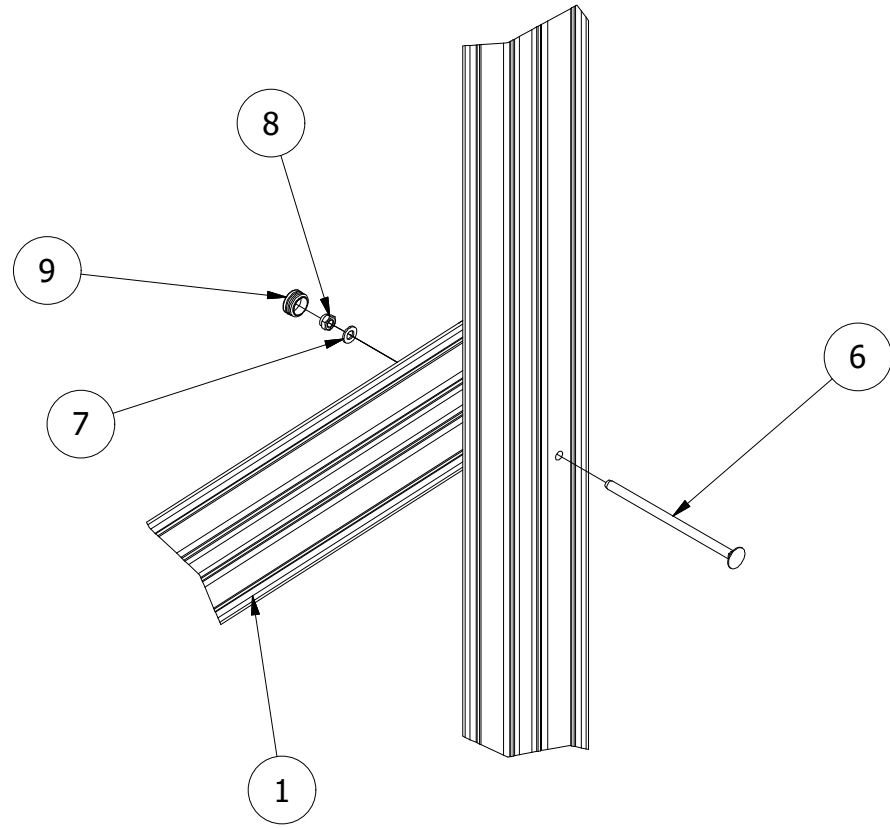


DO NOT SCALE FROM DRAWING

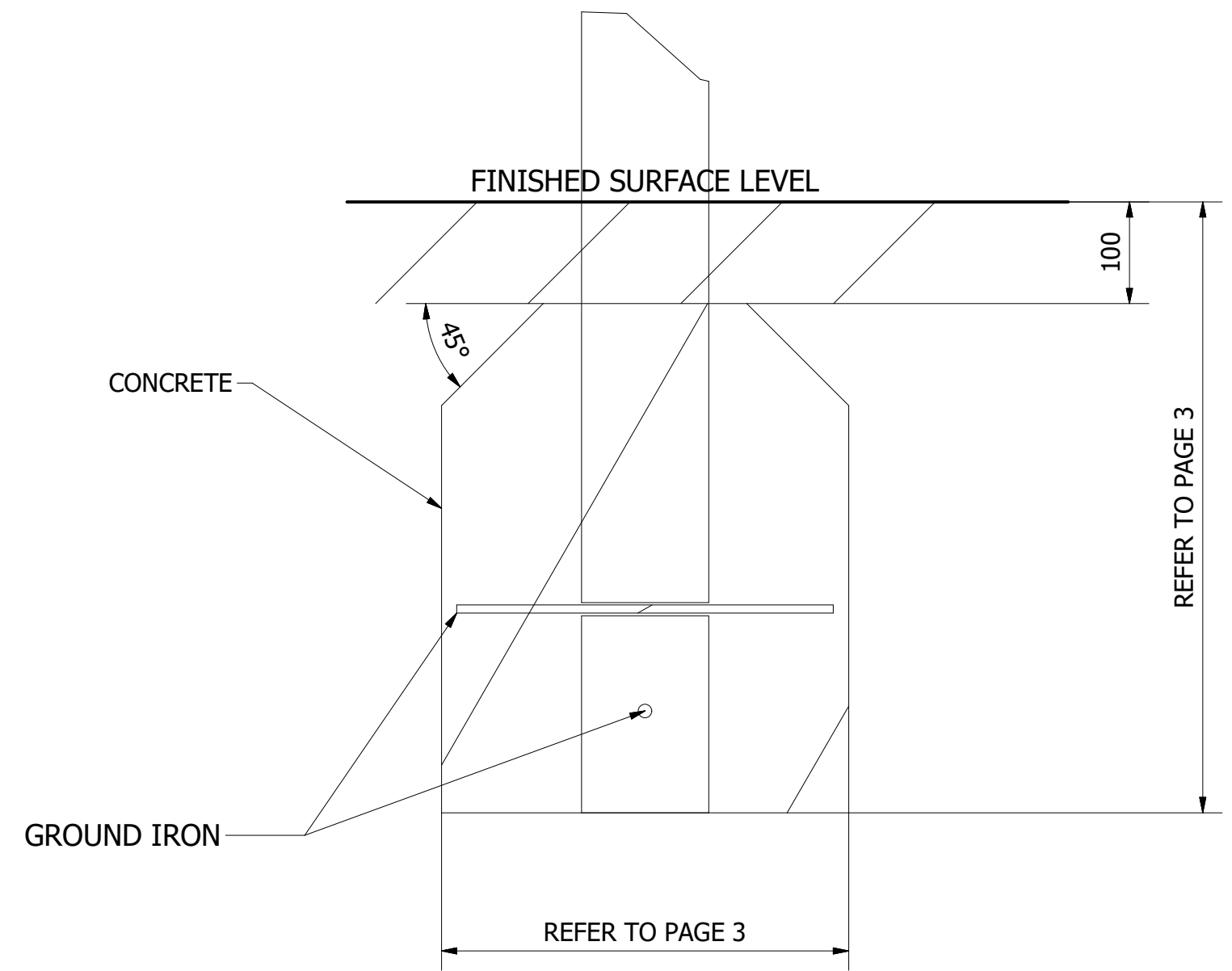
Tel: 01354 638359 www.onlineplaygrounds.co.uk

ALL FOUNDATIONS 400 X 400 X 600 DEEP UNLESS OTHERWISE SPECIFIED

1. POSITION THE UPRIGHT POSTS INTO THE FOUNDATION HOLES AS DETAILED ON THE PREVIOUS PAGE AND BRACE IN POSITION.
2. JOIN THE POSTS TOGETHER WITH THE BALANCE BEAMS AS DETAILED BELOW USING THE SUPPLIED FIXINGS.



3. WITH THE TIMBERS CONNECTED AND BRACED, SECURE THE ROPE BETWEEN THE TWO UPRIGHTS
4. FINALLY, ENSURE ALL FIXINGS HAVE BEEN TIGHTENED AND PROTECTIVE CAPS IN PLACE. ADD CONCRETE TO EACH FOUNDATION HOLE AND LEAVE FOR 48 HOURS



UNLESS OTHERWISE SPECIFIED: DIMENSIONS ARE IN MILLIMETERS TOLERANCES: LINEAR: ±2MM 1 DECIMAL PLACE: ±0.5MM ANGULAR: ±1°	PROPRIETARY AND CONFIDENTIAL THE INFORMATION CONTAINED IN THIS DRAWING IS THE SOLE PROPERTY OF FENLAND LEISURE PRODUCTS. ANY REPRODUCTION IN PART OR AS A WHOLE WITHOUT THE WRITTEN PERMISSION OF FENLAND LEISURE PRODUCTS IS PROHIBITED.	Title: PRO-500-107 BALANCE COMBO (AT3)	
		Product Range: FITNESS TRAIL	
		Date: 07/05/2019	Page: A3
		DO NOT SCALE FROM DRAWING	
Tel: 01354 638359 www.onlineplaygrounds.co.uk			