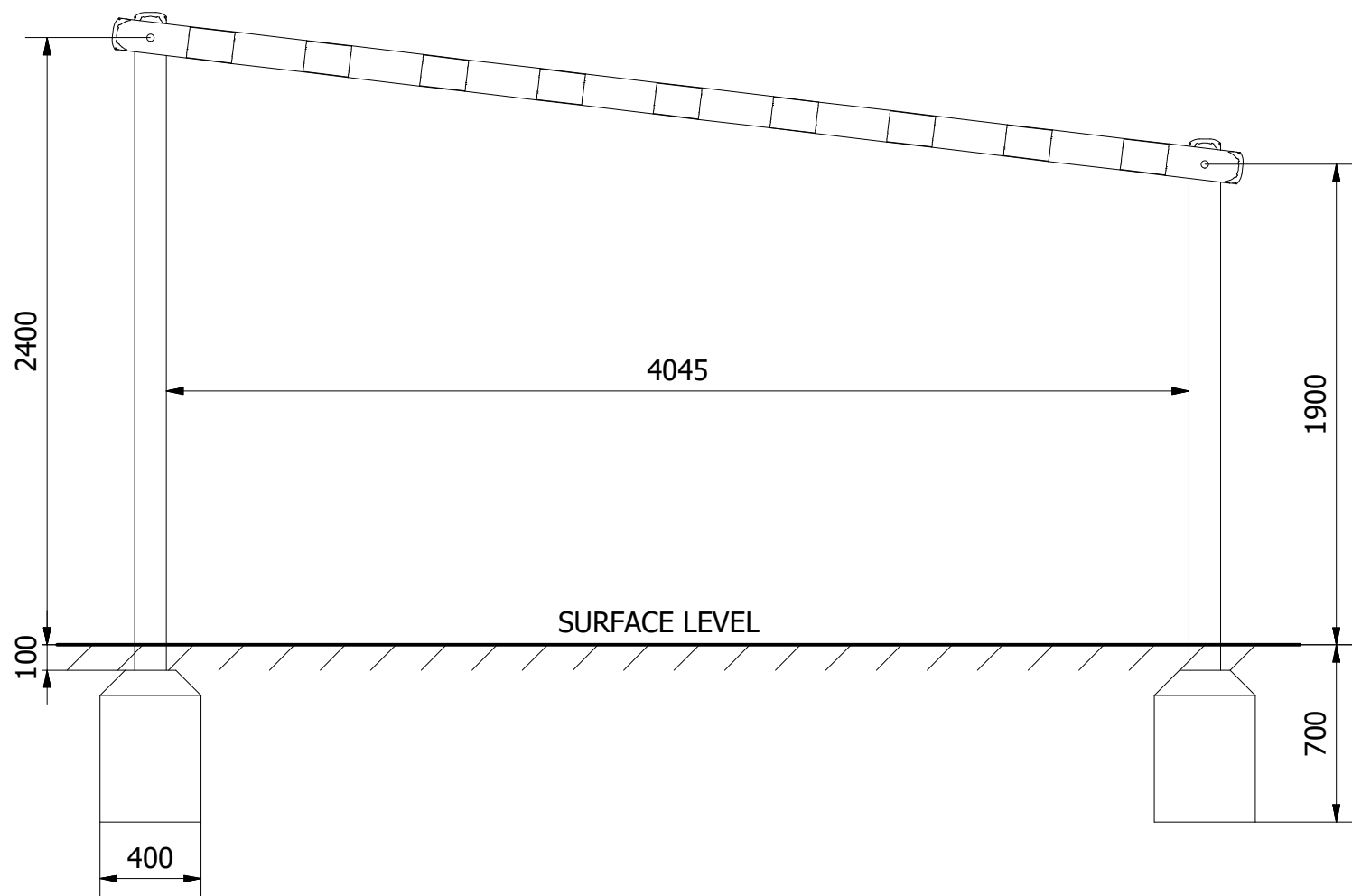
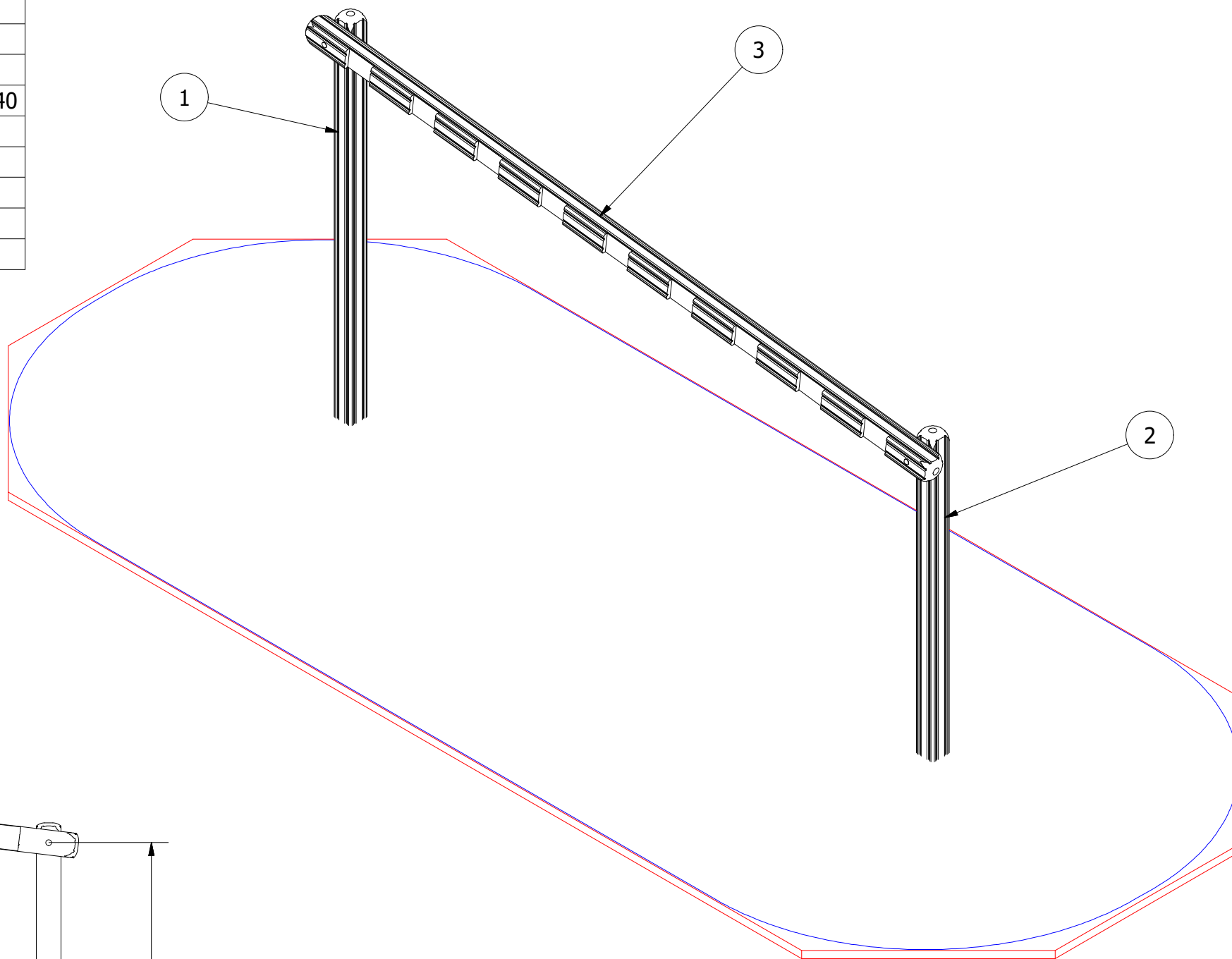


PARTS LIST

ITEM	QTY	PART NUMBER	DESCRIPTION	STOCK NUMBER
1	1	TB-200-496	3200mm x 125mm SAFALOG	COMTIMSAF0001
2	1	TB-200-497	2700mm x 125mm SAFALOG	COMTIMSAF0001
3	1	TB-200-498	4500mm x 125mm SAFALOG	COMTIMSAF0001
4	2	M12 X 240 COACH BOLT	M12 x 240 (DIN 603)	COMA2CBM12X240
5	2	M12 WASHER	M12 WASHER (DIN 125)	COMA2FWM12
6	2	M12 NYLOC NUT	M12 NYLOC NUT (DIN 985)	COMA2NNM12
7	2	30MM BOLT COVER	30MM BLACK CAP	COMPLACAP0001
8	4	GROUND IRON	FOUNDATION GROUND IRON	
9	2	400 x 400 x 600	0.096M ³ CONCRETE FOUNDATION	

INDICATOR SIGN

ITEM	QTY	PART NUMBER	DESCRIPTION
1	1	TB-200-399	1650 x 112mm (FC281650P)
2	1	PE-400-035	COMSIGSIG0032
3	4	M3 X 25 POZI PAN SCREW	COMHARSTA0009
4	1	GROUND IRON	FOUNDATION GROUND IRON
5	1	300 x 300 x 400	0.036M ³ CONCRETE FOUNDATION



UNLESS OTHERWISE SPECIFIED:
DIMENSIONS ARE IN MILLIMETERS
TOLERANCES:
LINEAR: ±2MM
1 DECIMAL PLACE: ±0.5MM
ANGULAR: ±1°

PROPRIETARY AND CONFIDENTIAL
THE INFORMATION CONTAINED IN THIS
DRAWING IS THE SOLE PROPERTY OF
FENLAND LEISURE PRODUCTS. ANY
REPRODUCTION IN PART OR AS A WHOLE
WITHOUT THE WRITTEN PERMISSION
OF FENLAND
LEISURE PRODUCTS IS PROHIBITED.

Title: PRO-500-096 ARM STRETCH (FC2)

Product Range: FITNESS TRAIL

1.5M FFH

Date:
25/04/2019

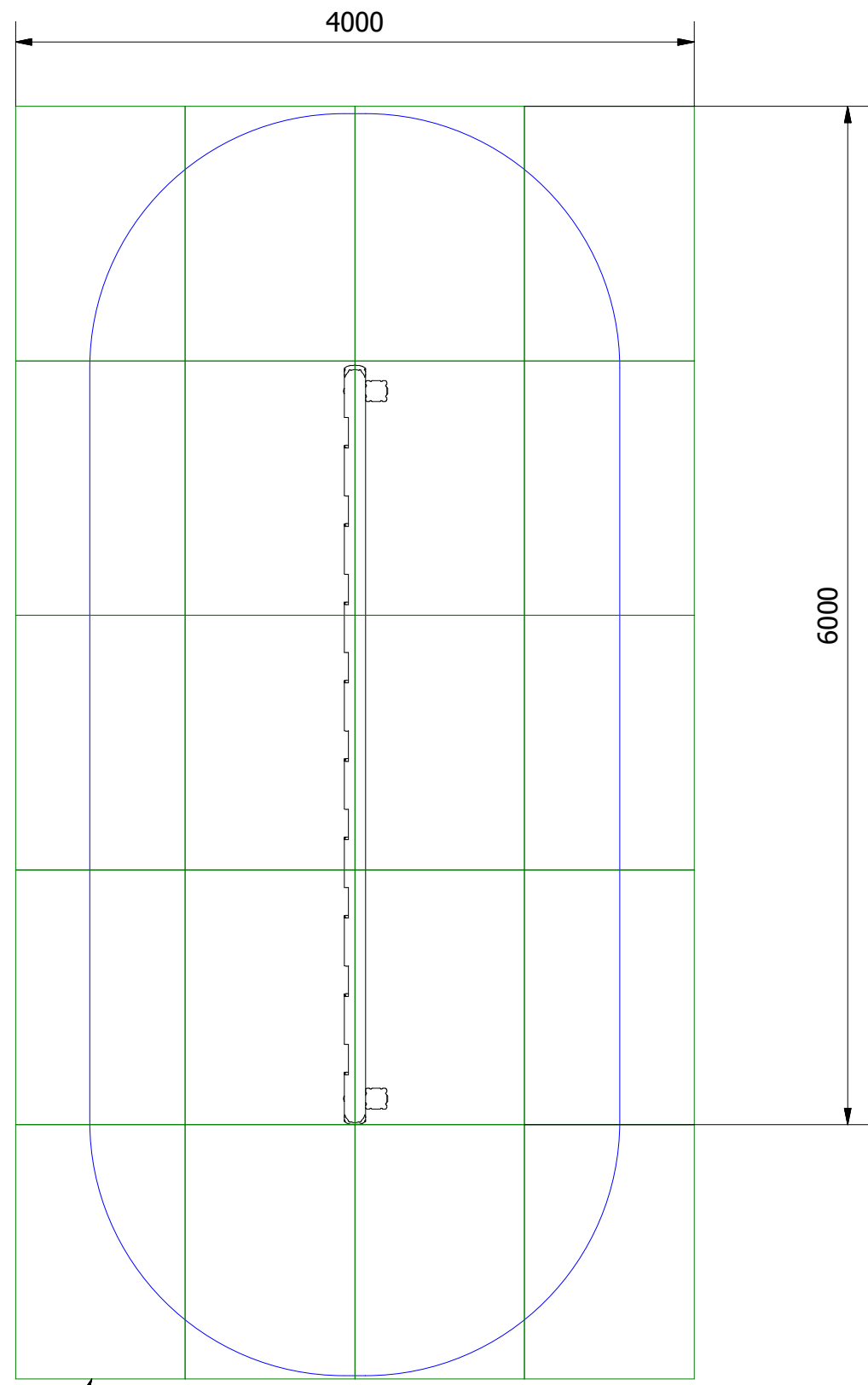
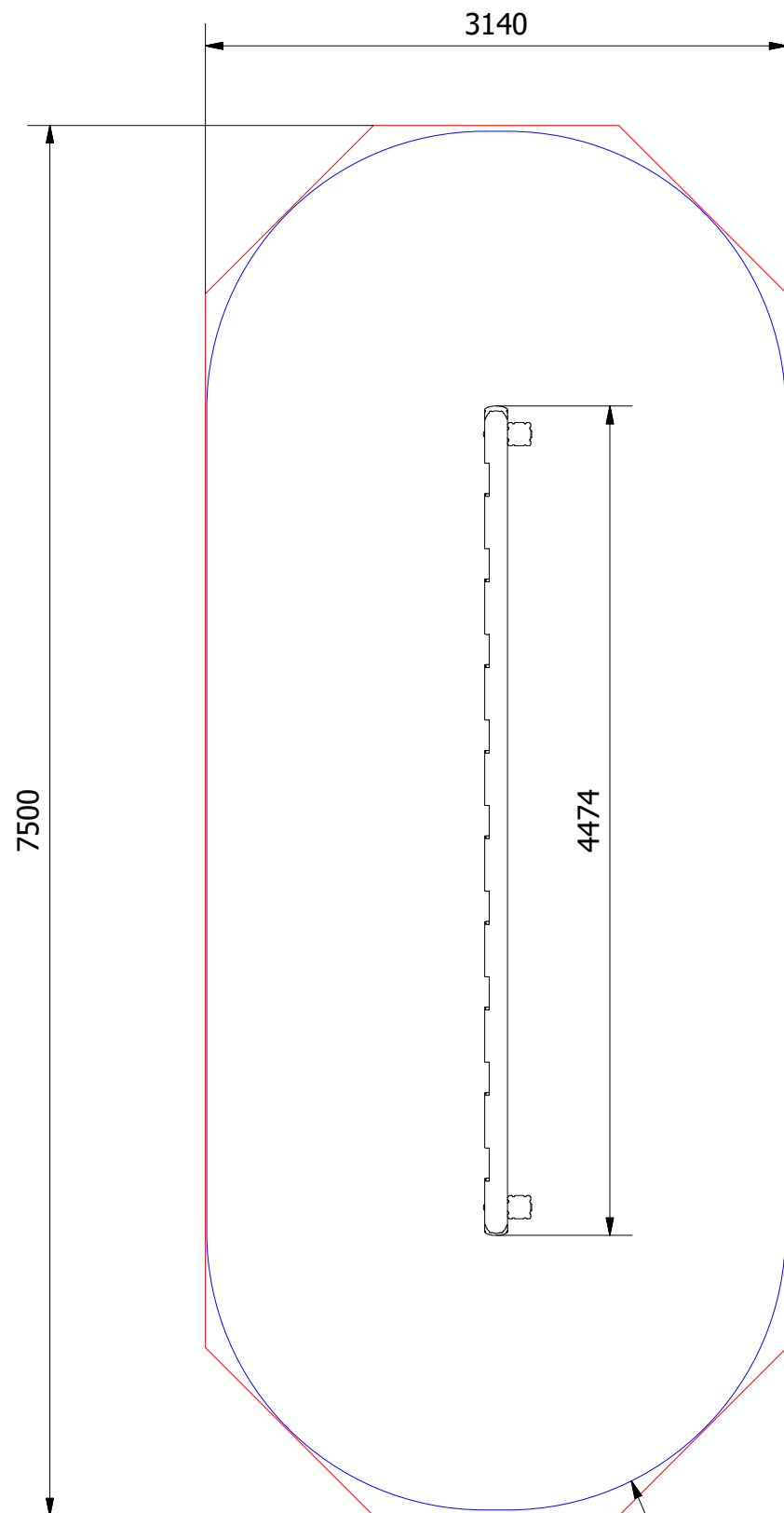
Page:

A3



DO NOT SCALE FROM DRAWING

Tel: 01354 638359 www.onlineplaygrounds.co.uk

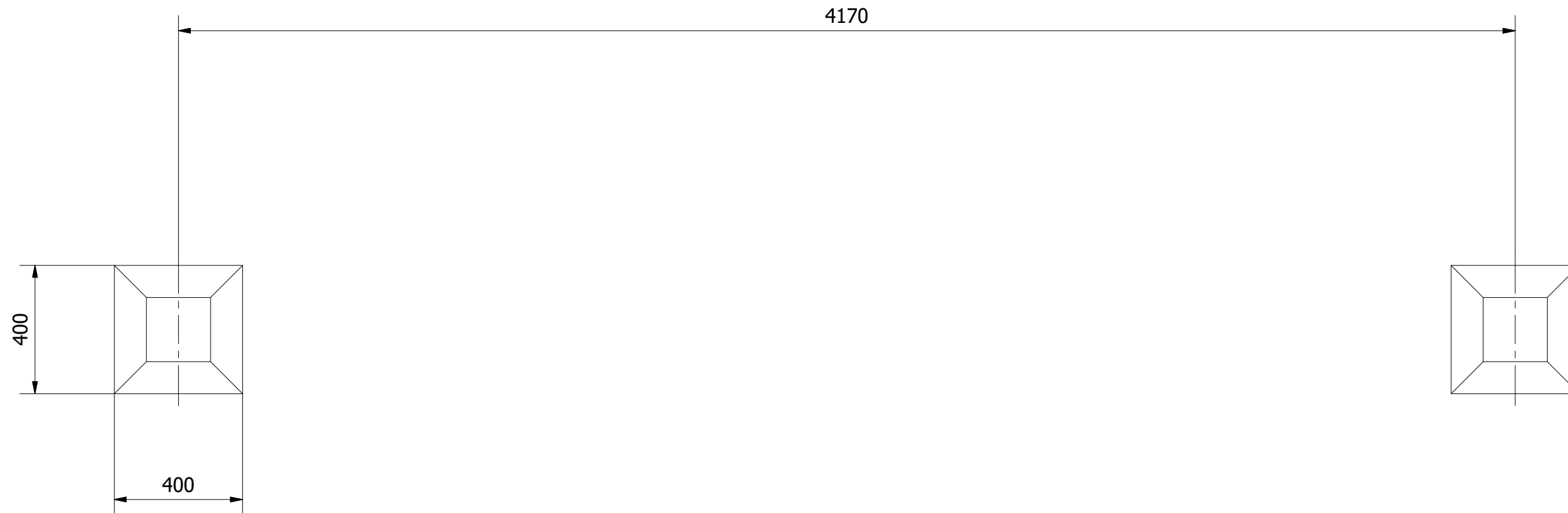


WETPOUR AREA = 21.9 M²
 PERIMETER = 19.2 L/M


MIN SPACE

20 SAFAGRASS TILES (1.5 X 1.0M)

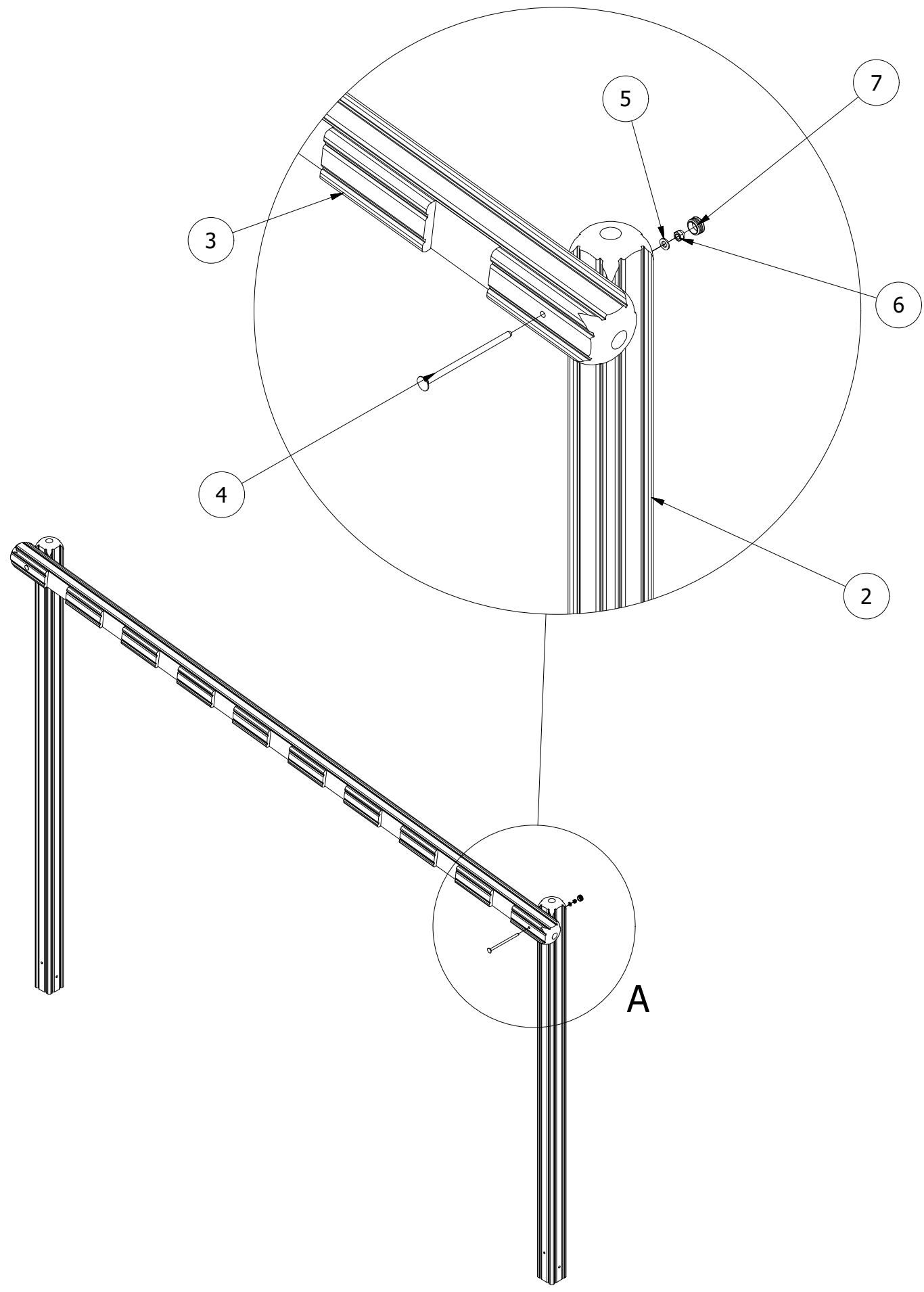
UNLESS OTHERWISE SPECIFIED: DIMENSIONS ARE IN MILLIMETERS TOLERANCES: LINEAR: ±2MM 1 DECIMAL PLACE: ±0.5MM ANGULAR: ±1°	PROPRIETARY AND CONFIDENTIAL THE INFORMATION CONTAINED IN THIS DRAWING IS THE SOLE PROPERTY OF FENLAND LEISURE PRODUCTS. ANY REPRODUCTION IN PART OR AS A WHOLE WITHOUT THE WRITTEN PERMISSION OF FENLAND LEISURE PRODUCTS IS PROHIBITED.	Title: PRO-500-096 ARM STRETCH (FC2)	
		Product Range: FITNESS TRAIL	
		Date: 25/04/2019	
		Page: A3	
		DO NOT SCALE FROM DRAWING	
Tel: 01354 638359 www.onlineplaygrounds.co.uk			



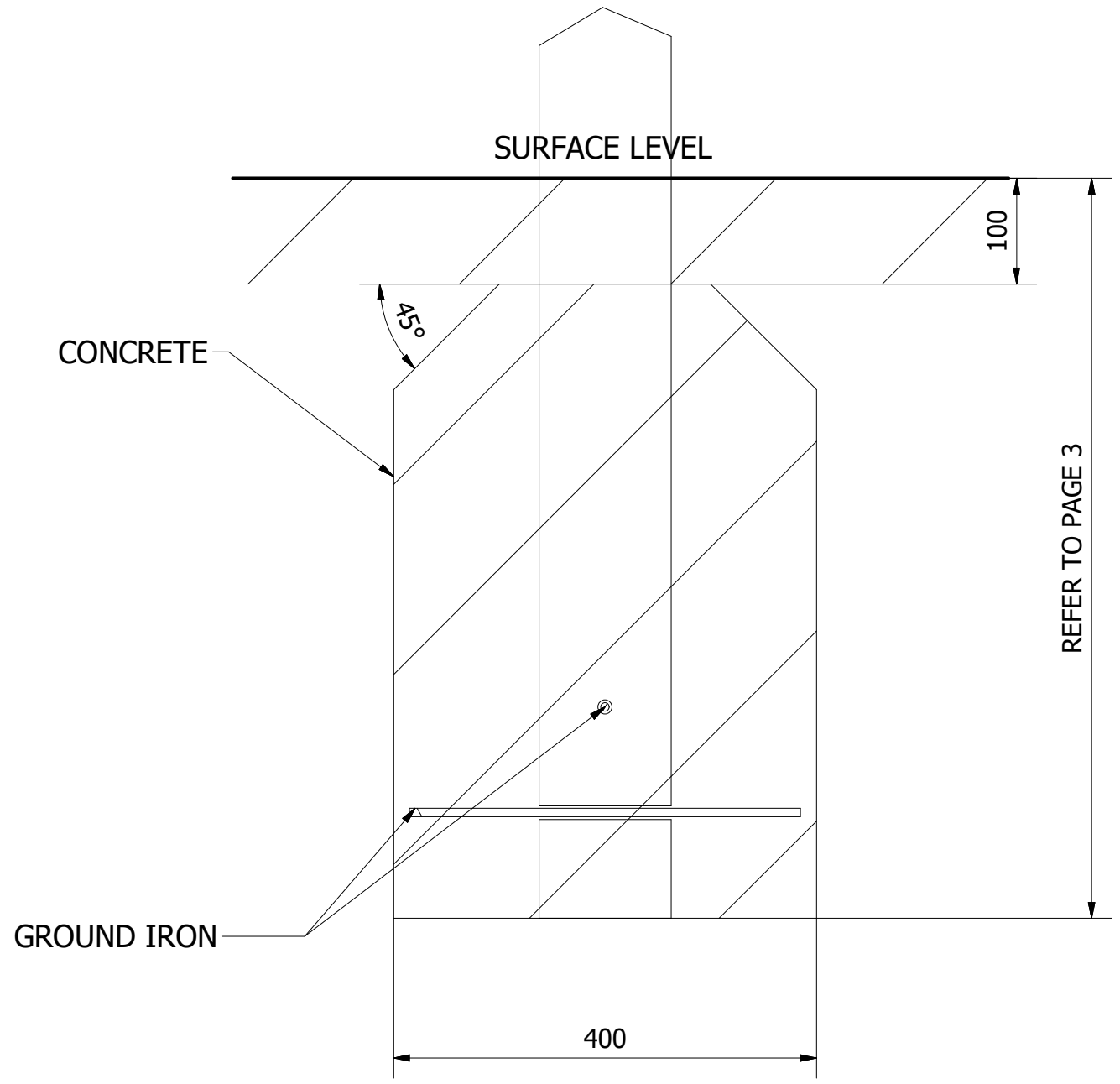
ALL FOUNDATIONS 400 X 400 X 700 DEEP UNLESS OTHERWISE SPECIFIED

UNLESS OTHERWISE SPECIFIED: DIMENSIONS ARE IN MILLIMETERS TOLERANCES: LINEAR: ±2MM 1 DECIMAL PLACE: ±0.5MM ANGULAR: ±1°	PROPRIETARY AND CONFIDENTIAL THE INFORMATION CONTAINED IN THIS DRAWING IS THE SOLE PROPERTY OF FENLAND LEISURE PRODUCTS. ANY REPRODUCTION IN PART OR AS A WHOLE WITHOUT THE WRITTEN PERMISSION OF FENLAND LEISURE PRODUCTS IS PROHIBITED.	Title: PRO-500-096 ARM STRETCH (FC2)	
		Product Range: FITNESS TRAIL	
		Date: 25/04/2019	
		Page: A3	
		DO NOT SCALE FROM DRAWING	
		Tel: 01354 638359 www.onlineplaygrounds.co.uk	

1. AS ILLUSTRATED BELOW, CREATE THE BASIC FRAME NEXT TO THE FOUNDATION HOLES DETAILED ON THE PREVIOUS PAGE USING THE SUPPLIED FIXINGS. WITH CARE, LIFT THE FRAME INTO THE HOLES AND USE A BRACE TO HOLD THE UNIT IN POSITION.



2. FINALLY, ENSURE THE UNIT IS LEVEL & PLUMB, ALL FIXINGS HAVE BEEN TIGHTENED AND PROTECTIVE CAPS IN PLACE. ADD CONCRETE TO THE FOUNDATION HOLE AND LEAVE FOR 48 HOURS



UNLESS OTHERWISE SPECIFIED: DIMENSIONS ARE IN MILLIMETERS TOLERANCES: LINEAR: ±2MM 1 DECIMAL PLACE: ±0.5MM ANGULAR: ±1°	PROPRIETARY AND CONFIDENTIAL THE INFORMATION CONTAINED IN THIS DRAWING IS THE SOLE PROPERTY OF FENLAND LEISURE PRODUCTS. ANY REPRODUCTION IN PART OR AS A WHOLE WITHOUT THE WRITTEN PERMISSION OF FENLAND LEISURE PRODUCTS IS PROHIBITED.	Title: PRO-500-096 ARM STRETCH (FC2)	
		Product Range: FITNESS TRAIL	
		Date: 25/04/2019	
		Page: A3	
		DO NOT SCALE FROM DRAWING	
Tel: 01354 638359 www.onlineplaygrounds.co.uk			