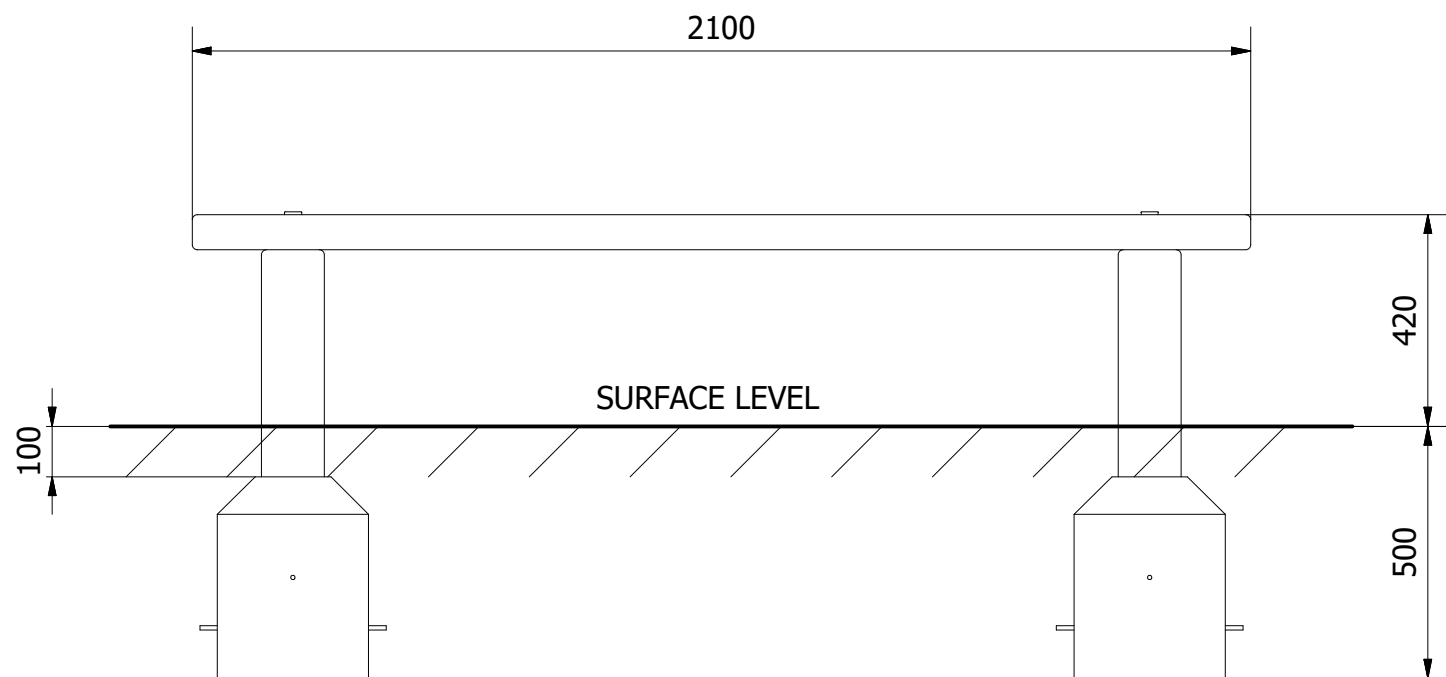
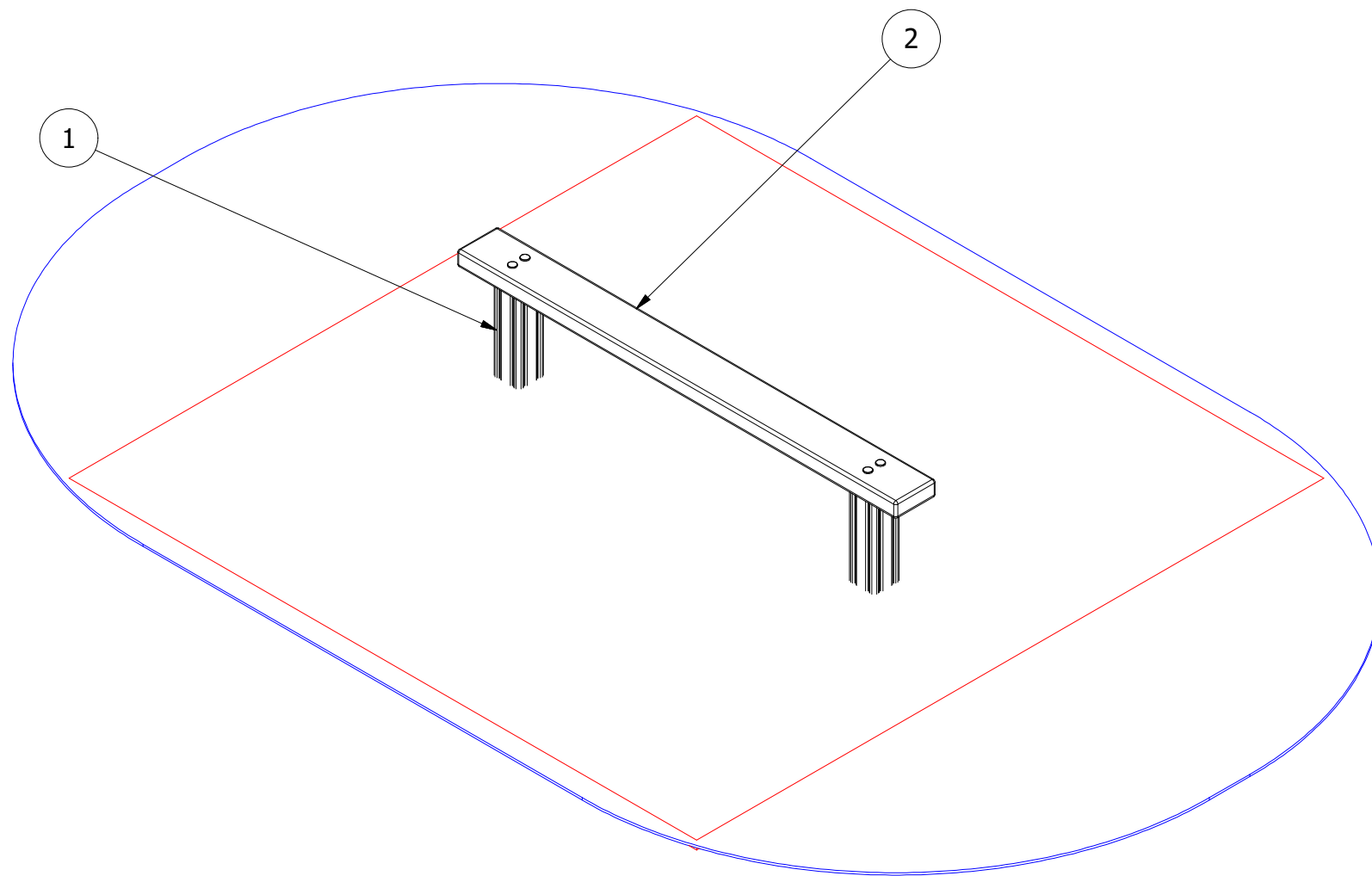


PARTS LIST

ITEM	QTY	PART NUMBER	DESCRIPTION	STOCK NUMBER
1	2	TB-200-340	850mm x 125mm SAFALOG	COMTIMSAF0001
2	1	TB-200-341	2100 x 195 x 70	COMTIMSAW0002
3	4	M8 X 100 TORX WASHER HEAD	100MM WASHER HEAD	COMA2WH8X100
4	4	30MM BOLT COVER	30MM BLACK CAP	COMPLACAP0001
5	4	GROUND IRON	FOUNDATION GROUND IRON	
6	2	300 x 300 x 400	0.036M ³ CONCRETE FOUNDATION	

INDICATOR SIGN

ITEM	QTY	PART NUMBER	DESCRIPTION
1	1	TB-200-399	1650 x 112mm (FC281650P)
2	1	PE-400-035	COMSIGSIG0032
3	4	M3 X 25 POZI PAN SCREW	COMHARSTA0009
4	1	GROUND IRON	FOUNDATION GROUND IRON
5	1	300 x 300 x 400	0.036M ³ CONCRETE FOUNDATION



UNLESS OTHERWISE SPECIFIED:
DIMENSIONS ARE IN MILLIMETERS
TOLERANCES:
LINEAR: ±2MM
1 DECIMAL PLACE: ±0.5MM
ANGULAR: ±1°

PROPRIETARY AND CONFIDENTIAL
THE INFORMATION CONTAINED IN THIS
DRAWING IS THE SOLE PROPERTY OF
FENLAND LEISURE PRODUCTS. ANY
REPRODUCTION IN PART OR AS A WHOLE
WITHOUT THE WRITTEN PERMISSION
OF FENLAND
LEISURE PRODUCTS IS PROHIBITED.

Title: PRO-500-094 BASIC BENCH (FC10)

Product Range: FITNESS TRAIL

<0.6M FFH

Date:
24/04/2019

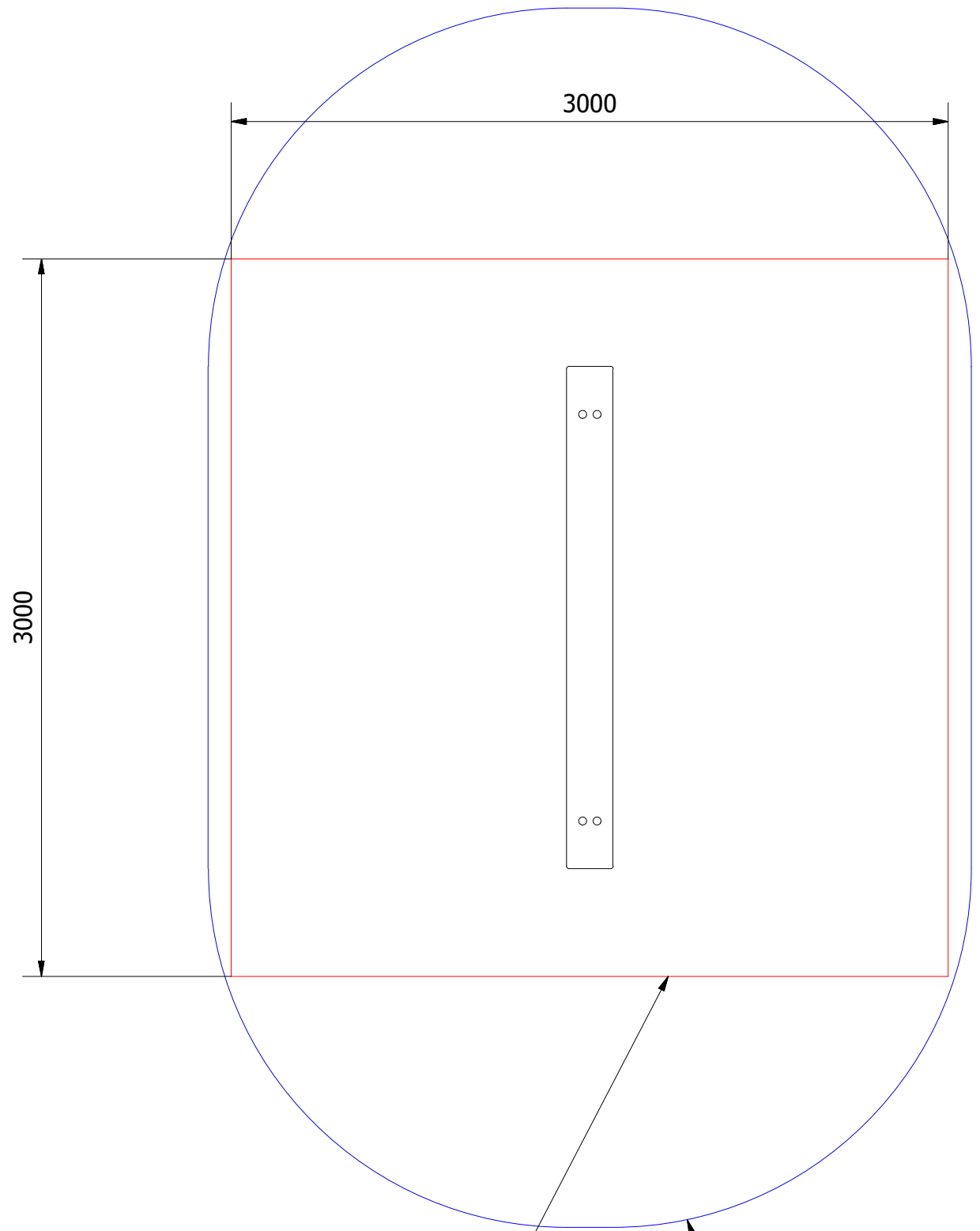
Page:

A3



DO NOT SCALE FROM DRAWING

Tel: 01354 638359 www.onlineplaygrounds.co.uk

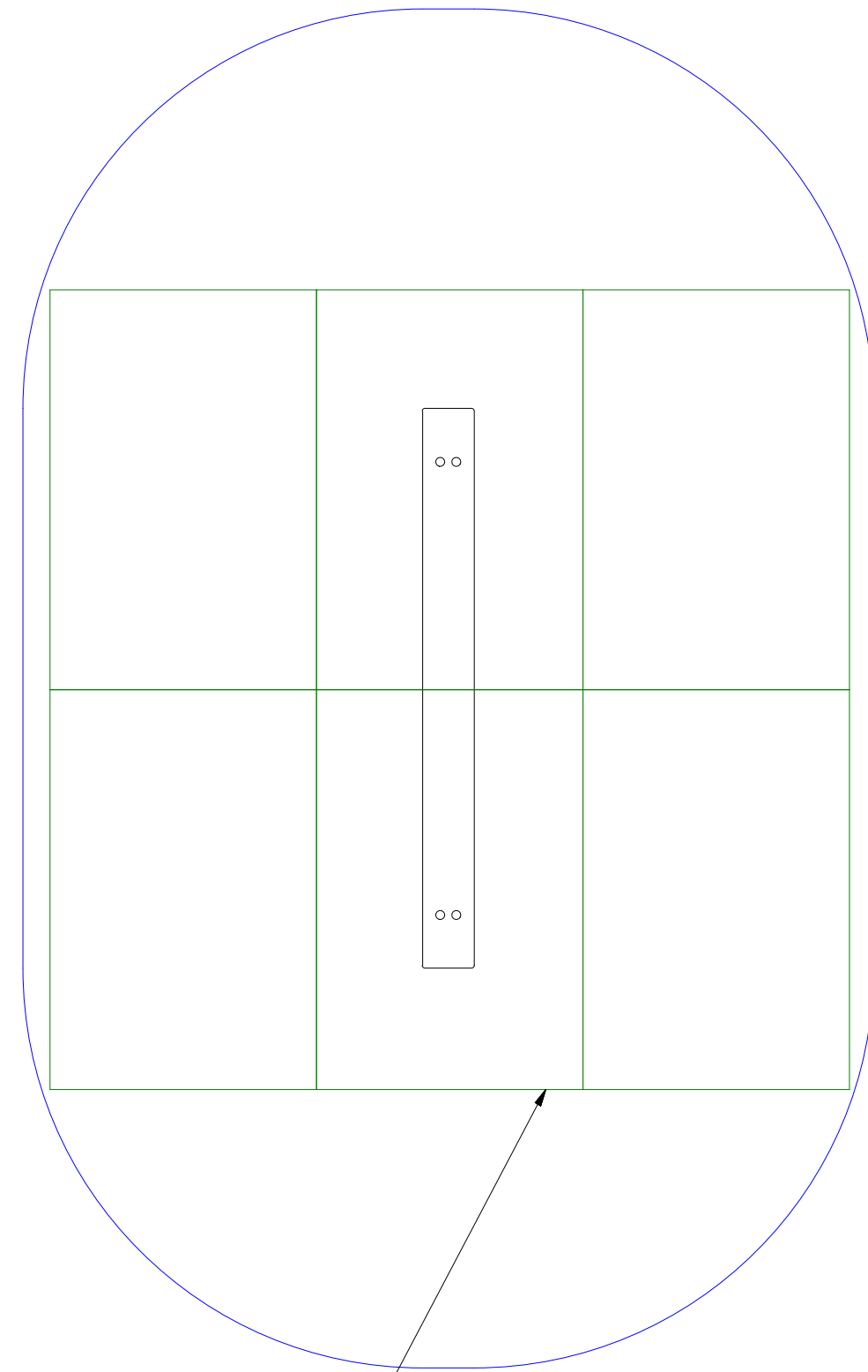


3000

3000

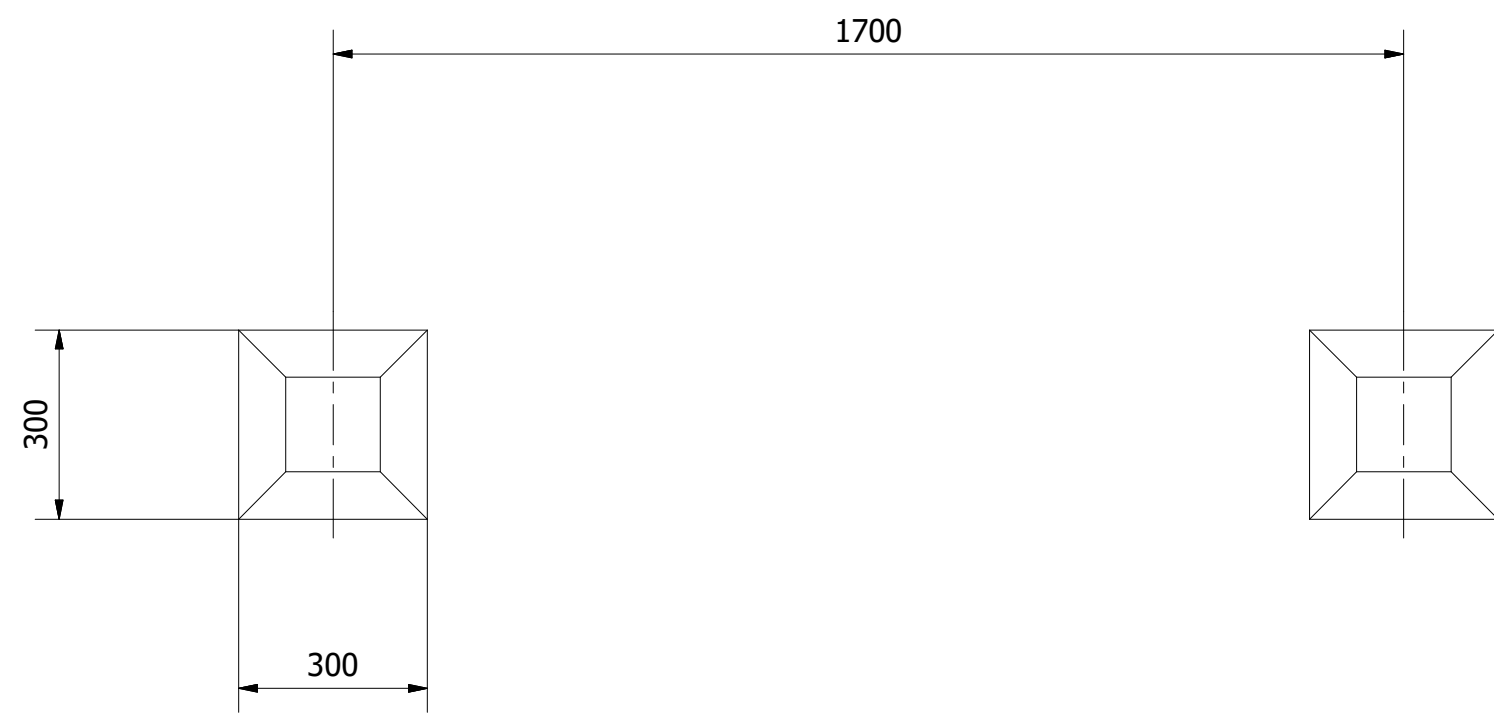
WETPOUR AREA = 9M²
PERIMETER = 12 L/M

MIN SPACE




6 SAFAGRASS TILES (1.5 X 1.0M)

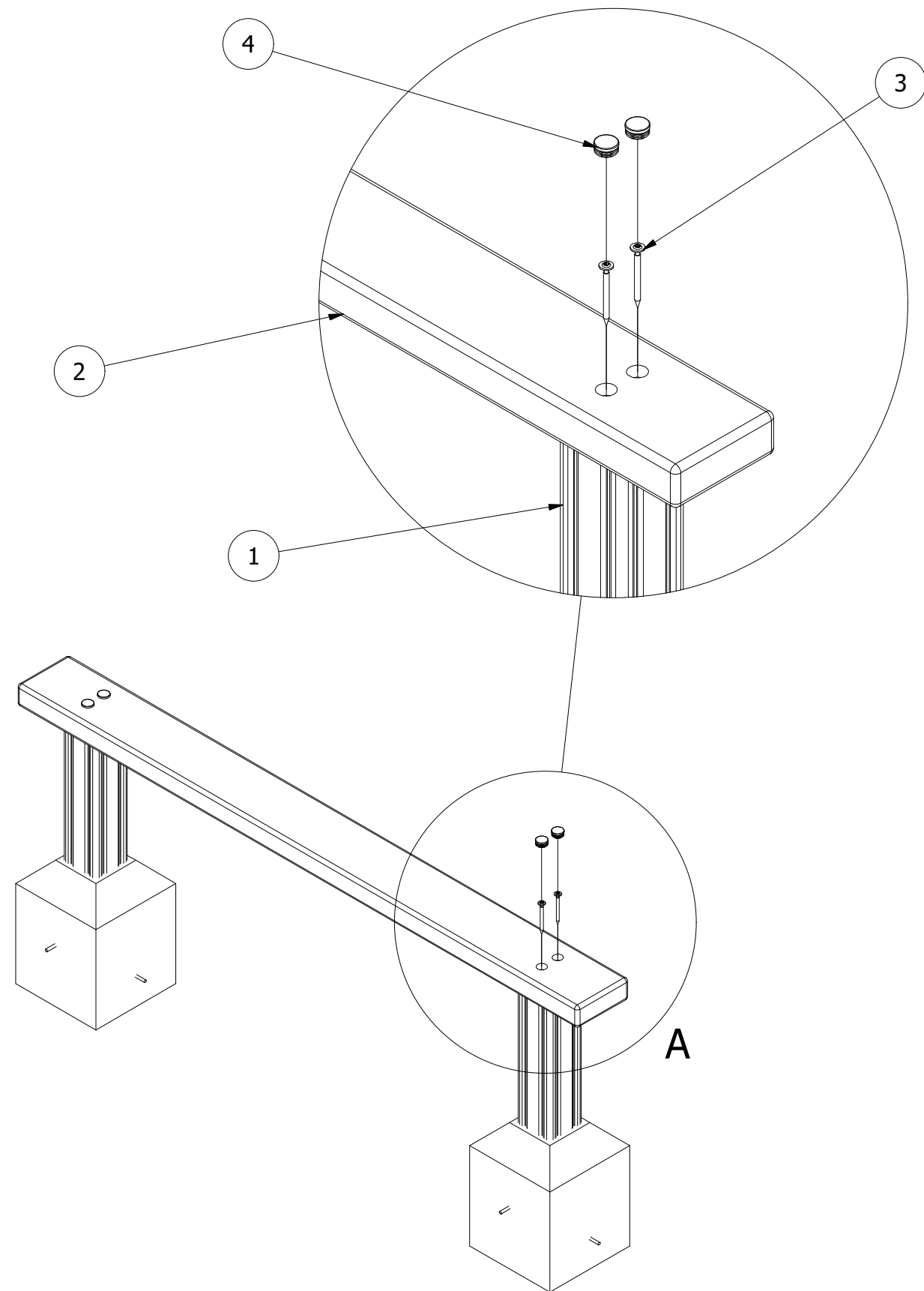
UNLESS OTHERWISE SPECIFIED: DIMENSIONS ARE IN MILLIMETERS TOLERANCES: LINEAR: ±2MM 1 DECIMAL PLACE: ±0.5MM ANGULAR: ±1°	PROPRIETARY AND CONFIDENTIAL THE INFORMATION CONTAINED IN THIS DRAWING IS THE SOLE PROPERTY OF FENLAND LEISURE PRODUCTS. ANY REPRODUCTION IN PART OR AS A WHOLE WITHOUT THE WRITTEN PERMISSION OF FENLAND LEISURE PRODUCTS IS PROHIBITED.	Title: PRO-500-094 BASIC BENCH (FC10)	
		Product Range: FITNESS TRAIL	
		Date: 24/04/2019	
		Page: A3	
		DO NOT SCALE FROM DRAWING	
		Tel: 01354 638359 www.onlineplaygrounds.co.uk	



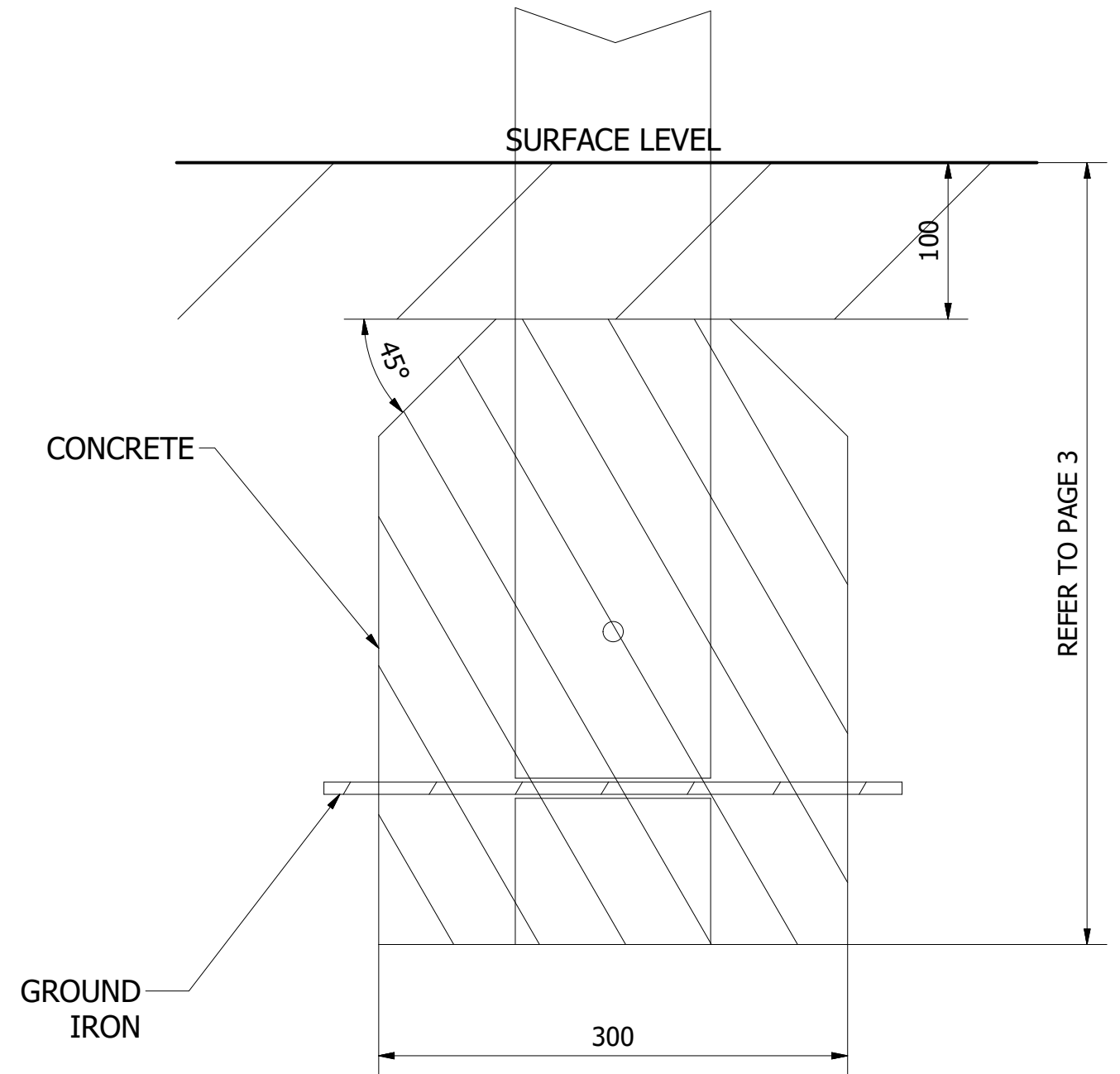
ALL FOUNDATIONS 300 X 300 X 450 DEEP UNLESS OTHERWISE SPECIFIED

UNLESS OTHERWISE SPECIFIED: DIMENSIONS ARE IN MILLIMETERS TOLERANCES: LINEAR: ±2MM 1 DECIMAL PLACE: ±0.5MM ANGULAR: ±1°	PROPRIETARY AND CONFIDENTIAL THE INFORMATION CONTAINED IN THIS DRAWING IS THE SOLE PROPERTY OF FENLAND LEISURE PRODUCTS. ANY REPRODUCTION IN PART OR AS A WHOLE WITHOUT THE WRITTEN PERMISSION OF FENLAND LEISURE PRODUCTS IS PROHIBITED.	Title: PRO-500-094 BASIC BENCH (FC10)	
		Product Range: FITNESS TRAIL	
		DO NOT SCALE FROM DRAWING	Date: 24/04/2019
			Page: A3
		Tel: 01354 638359 www.onlineplaygrounds.co.uk	

1. POSITION THE POSTS ITEM 1 INTO THE FOUNDATION HOLES AND PROP IN PLACE. POSITION THE SEAT TOP (ITEM 2) OVER THE POSTS AND MARK THE POSITION OF THE HOLES. DRILL A Ø6MM PILOT HOLE INTO THE TOP OF THE POSTS AND RE-POSITION THE TIMBER SEAT. AS SHOWN BELOW, SECURE THE SEAT TO THE UPRIGHT POSTS USING THE SUPPLIED FIXINGS.



2. FINALLY, ENSURE THE UNIT IS LEVEL & PLUMB, ALL FIXINGS HAVE BEEN TIGHTENED AND PROTECTIVE CAPS IN PLACE. ADD CONCRETE TO THE FOUNDATION HOLE AND LEAVE FOR 48 HOURS



UNLESS OTHERWISE SPECIFIED:
DIMENSIONS ARE IN MILLIMETERS
TOLERANCES:
LINEAR: ±2MM
1 DECIMAL PLACE: ±0.5MM
ANGULAR: ±1°

PROPRIETARY AND CONFIDENTIAL
THE INFORMATION CONTAINED IN THIS DRAWING IS THE SOLE PROPERTY OF FENLAND LEISURE PRODUCTS. ANY REPRODUCTION IN PART OR AS A WHOLE WITHOUT THE WRITTEN PERMISSION OF FENLAND LEISURE PRODUCTS IS PROHIBITED.

Title: PRO-500-094 BASIC BENCH (FC10)

Product Range: FITNESS TRAIL

Date:
24/04/2019

Page:
A3



DO NOT SCALE FROM DRAWING

Tel: 01354 638359 www.onlineplaygrounds.co.uk