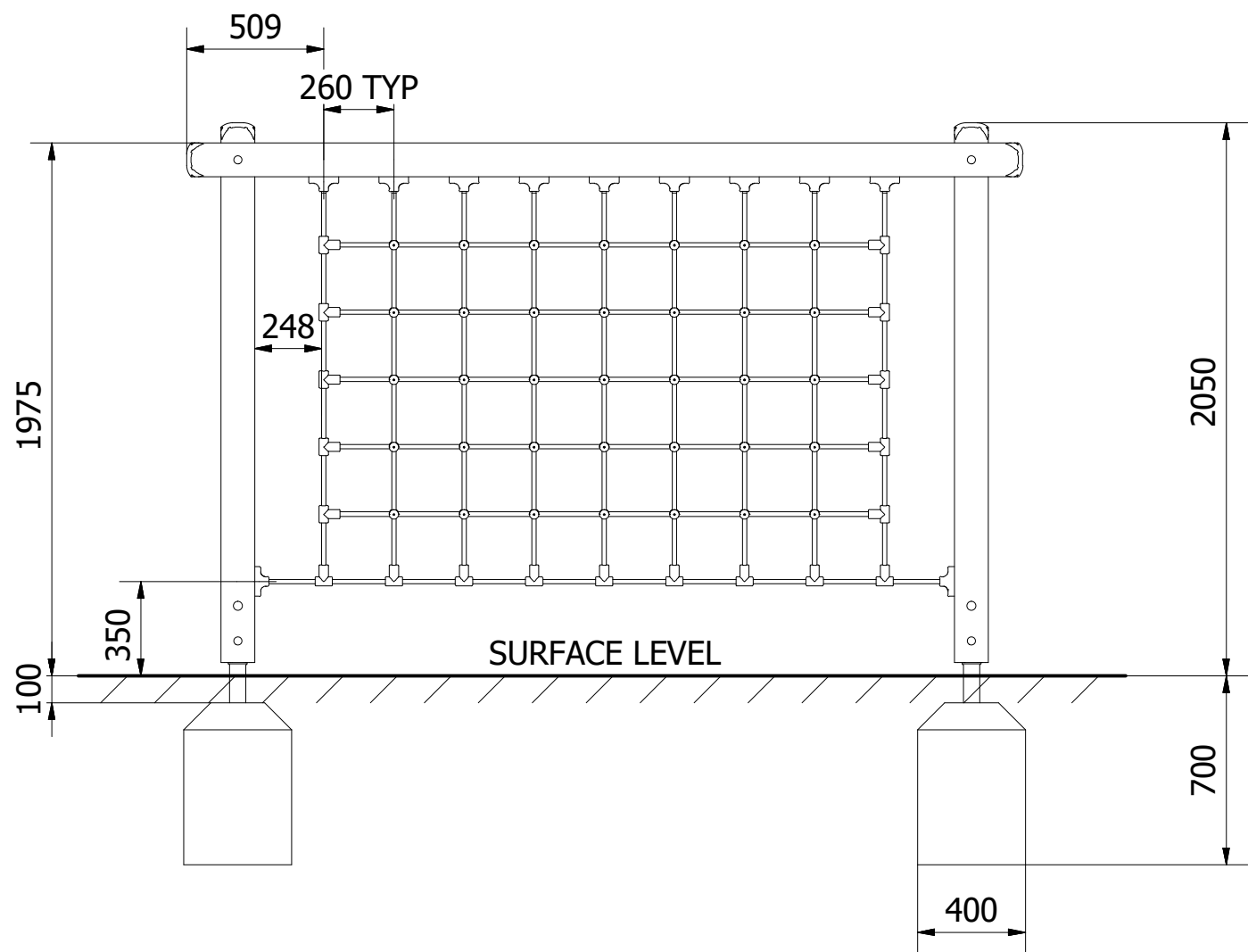
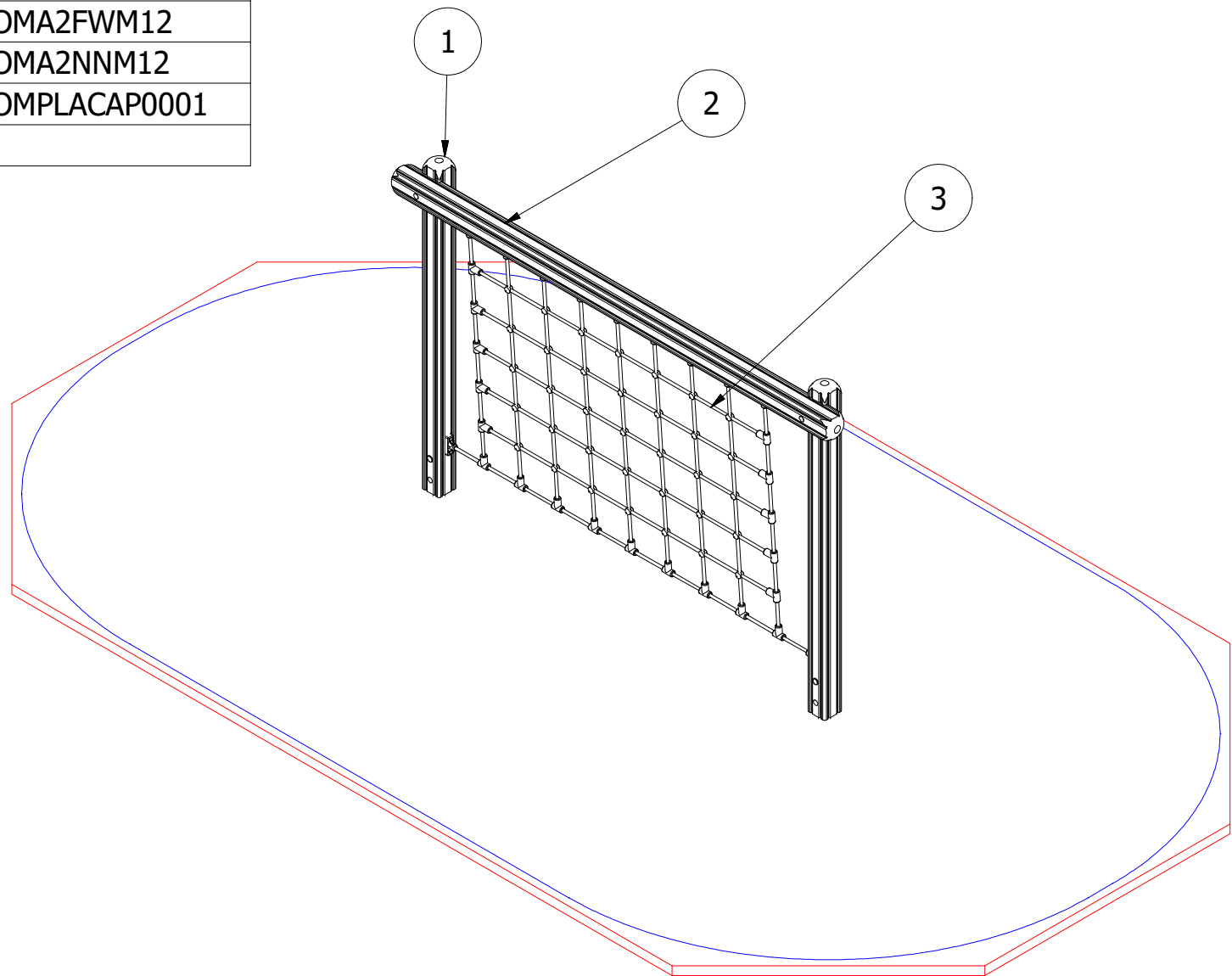


PARTS LIST


| ITEM | QTY | PART NUMBER                            | DESCRIPTION                             | STOCK NUMBER   |
|------|-----|--|---|----------------|
| 1    | 2   | TB-200-329_B                           | 2000MM X 125MM (POST INSERT)            | COMTIMSAF0001  |
| 2    | 1   | TB-200-330                             | 3100mm x 125mm SAFALOG                  | COMTIMSAF0001  |
| 3    | 1   | RS-100-037                             | NET CLIMB                               |                |
| 4    | 2   | MOD-600-121 STANDARD GROUND FOOT (125) | GROUND FOOT (125)                       | SUBSTEMIS0006  |
| 5    | 2   | M12 X 220 COACH BOLT                   | M12 X 220 (DIN 603)                     | COMA2CBM12X220 |
| 6    | 2   | M12 WASHER                             | M12 WASHER (DIN 125)                    | COMA2FWM12     |
| 7    | 2   | M12 NYLOC NUT                          | M12 NYLOC NUT (DIN 985)                 | COMA2NNM12     |
| 8    | 2   | 30MM BOLT COVER                        | 30MM BLACK CAP                          | COMPLACAP0001  |
| 9    | 2   | 400 x 400 x 600                        | 0.096M <sup>3</sup> CONCRETE FOUNDATION |                |

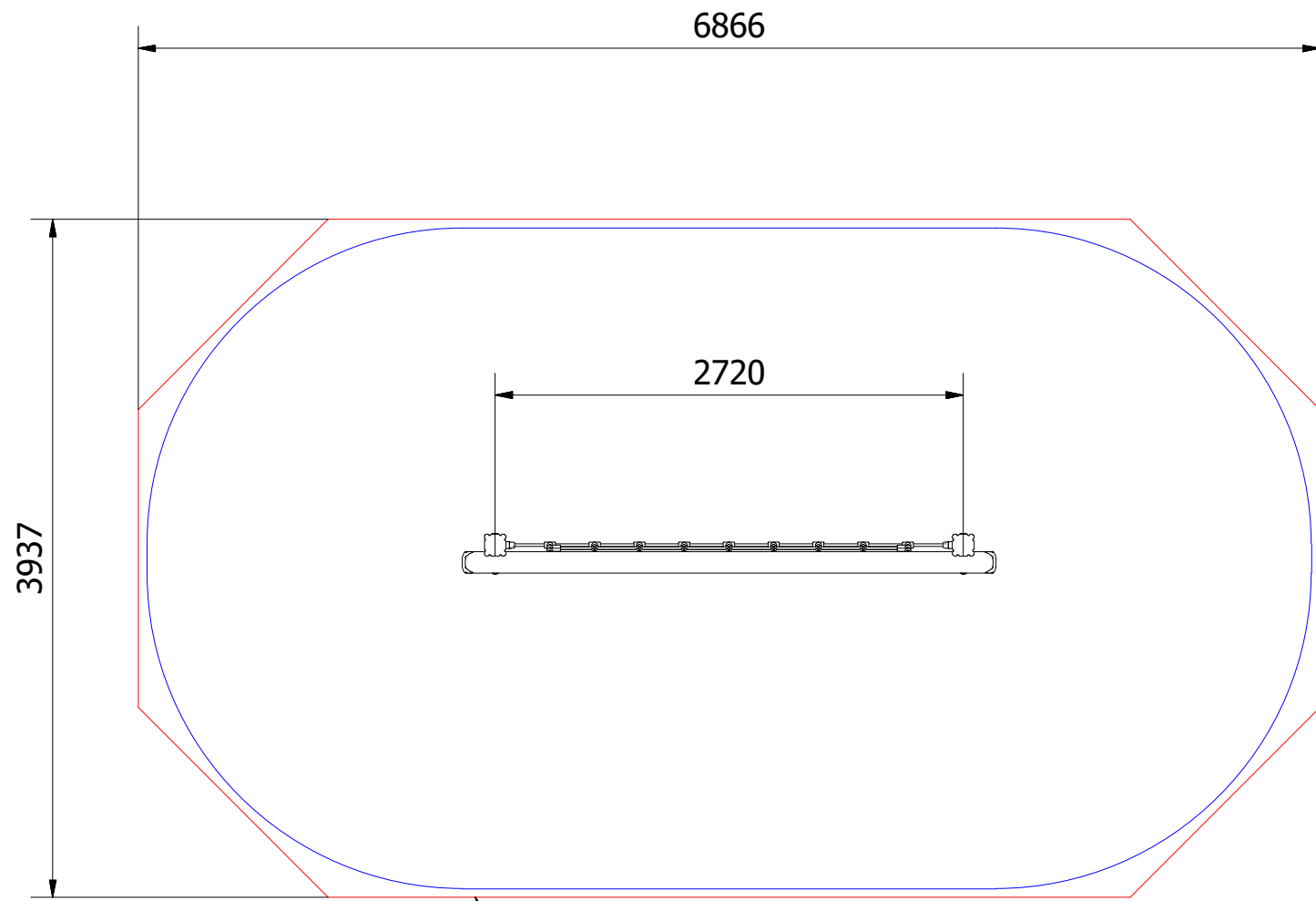
INDICATOR SIGN

| ITEM | QTY | PART NUMBER            | DESCRIPTION                             | STOCK NUMBER  |
|------|-----|------------------------|---|---------------|
| 2    | 1   | PE-400-035             | INDICATOR SIGN                          | COMSIGSIG0032 |
| 4    | 4   | M3 X 25 POZI PAN SCREW | 25MM POZI PAN SCREW                     | COMHARSTA0009 |
| 5    | 1   | 300 x 300 x 400        | 0.036M <sup>3</sup> CONCRETE FOUNDATION |               |

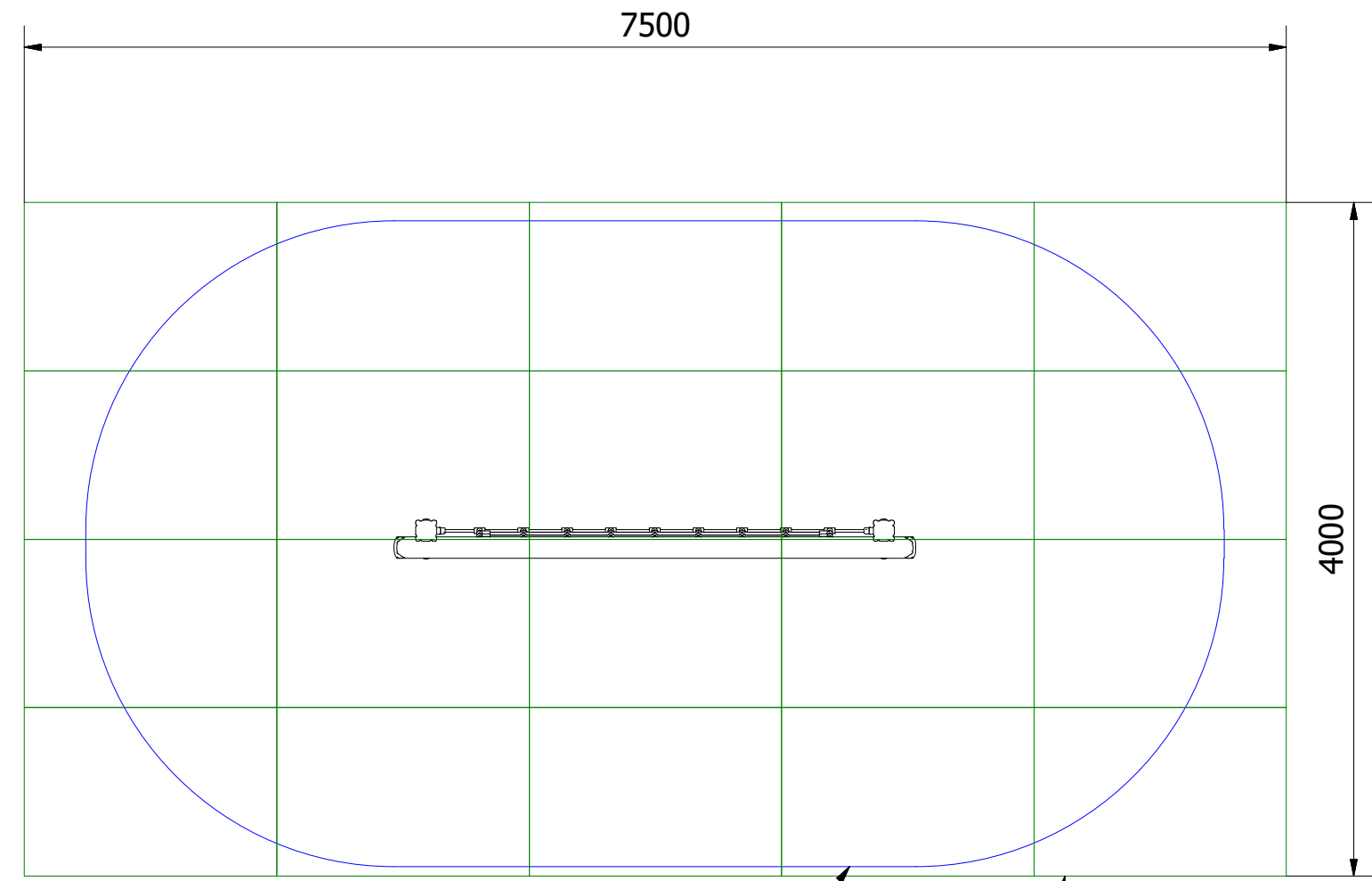


NOTES:  
 STEELWORK: EXPORT - ALUMINIUM  
 U.K - STAINLESS STEEL  
 INDICATOR SIGN: EXPORT - COMSIGSIG0042  
 U.K - COMSIGSIG0032

|  |  |                                     |                  |
|--|--|-------------------------------------|------------------|
| UNLESS OTHERWISE SPECIFIED:<br>DIMENSIONS ARE IN MILLIMETERS<br>TOLERANCES:<br>LINEAR: ±2MM<br>1 DECIMAL PLACE: ±0.5MM<br>ANGULAR: ±1° | PROPRIETARY AND CONFIDENTIAL<br>THE INFORMATION CONTAINED IN THIS<br>DRAWING IS THE SOLE PROPERTY OF<br>FENLAND LEISURE PRODUCTS. ANY<br>REPRODUCTION IN PART OR AS A WHOLE<br>WITHOUT THE WRITTEN PERMISSION<br>OF FENLAND<br>LEISURE PRODUCTS IS PROHIBITED. | Title: PRO-500-047 NET CLIMB (FC15) |                  |
|  |  | Product Range: FITNESS TRAIL        |                  |
|   |  | <2.0M FFH                           | Date: 30/04/2019 |
|  |  |                                     | Page: A3         |
| DO NOT SCALE FROM DRAWING<br>Tel: 01354 638359 www.onlineplaygrounds.co.uk   |  |                                     |                  |



WETPOUR AREA = 24.6M<sup>2</sup>  
 PERIMETER = 19.1 L/M



MIN SPACE

20 SAFAGRASS TILES (1.5 X 1.0M)

UNLESS OTHERWISE SPECIFIED:  
 DIMENSIONS ARE IN MILLIMETERS  
 TOLERANCES:  
 LINEAR: ±2MM  
 1 DECIMAL PLACE: ±0.5MM  
 ANGULAR: ±1°

**PROPRIETARY AND CONFIDENTIAL**  
 THE INFORMATION CONTAINED IN THIS  
 DRAWING IS THE SOLE PROPERTY OF  
 FENLAND LEISURE PRODUCTS. ANY  
 REPRODUCTION IN PART OR AS A WHOLE  
 WITHOUT THE WRITTEN PERMISSION  
 OF FENLAND  
 LEISURE PRODUCTS IS PROHIBITED.

Title: **PRO-500-047 NET CLIMB (FC15)**

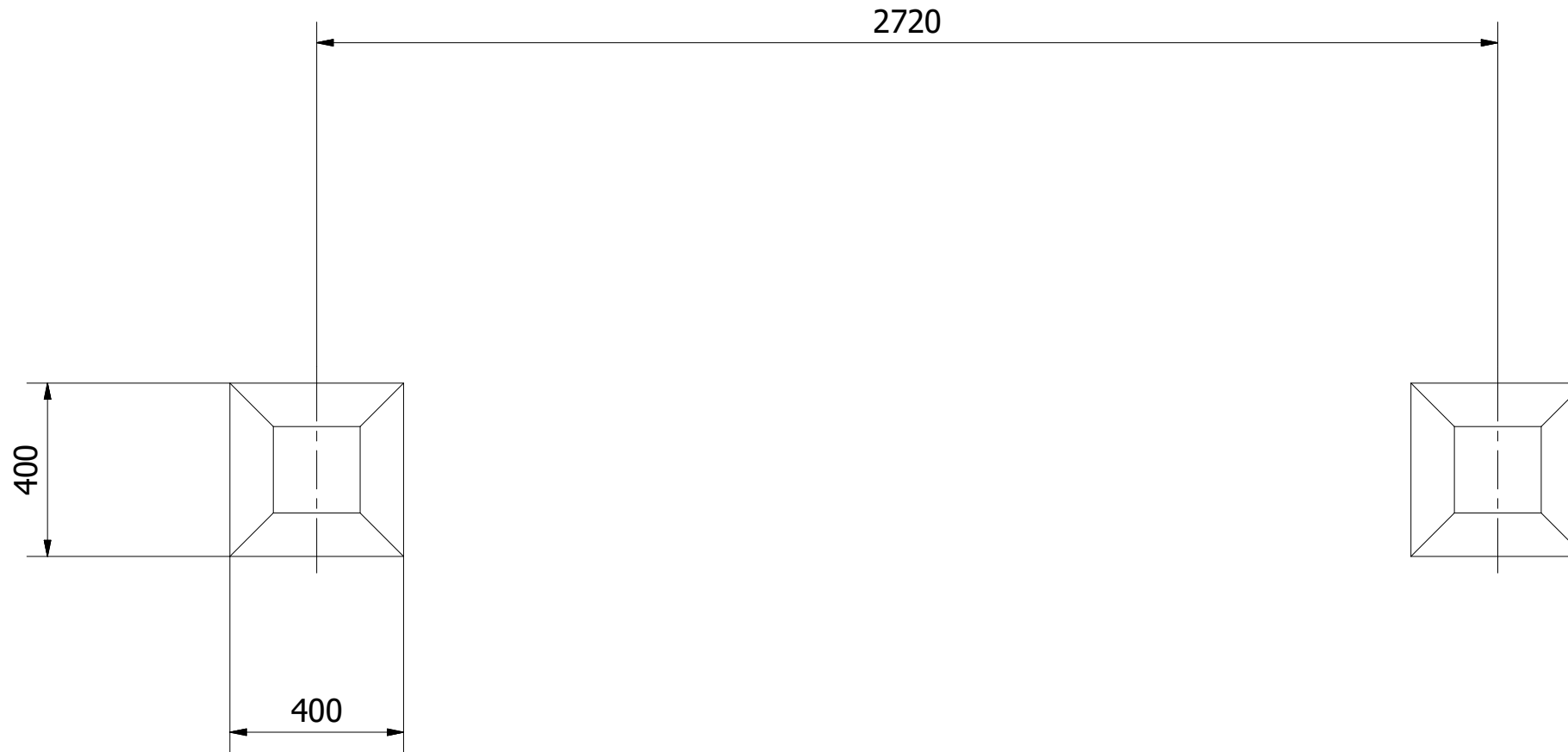
Product Range: **FITNESS TRAIL**

Date:  
 30/04/2019

Page:  
 A3



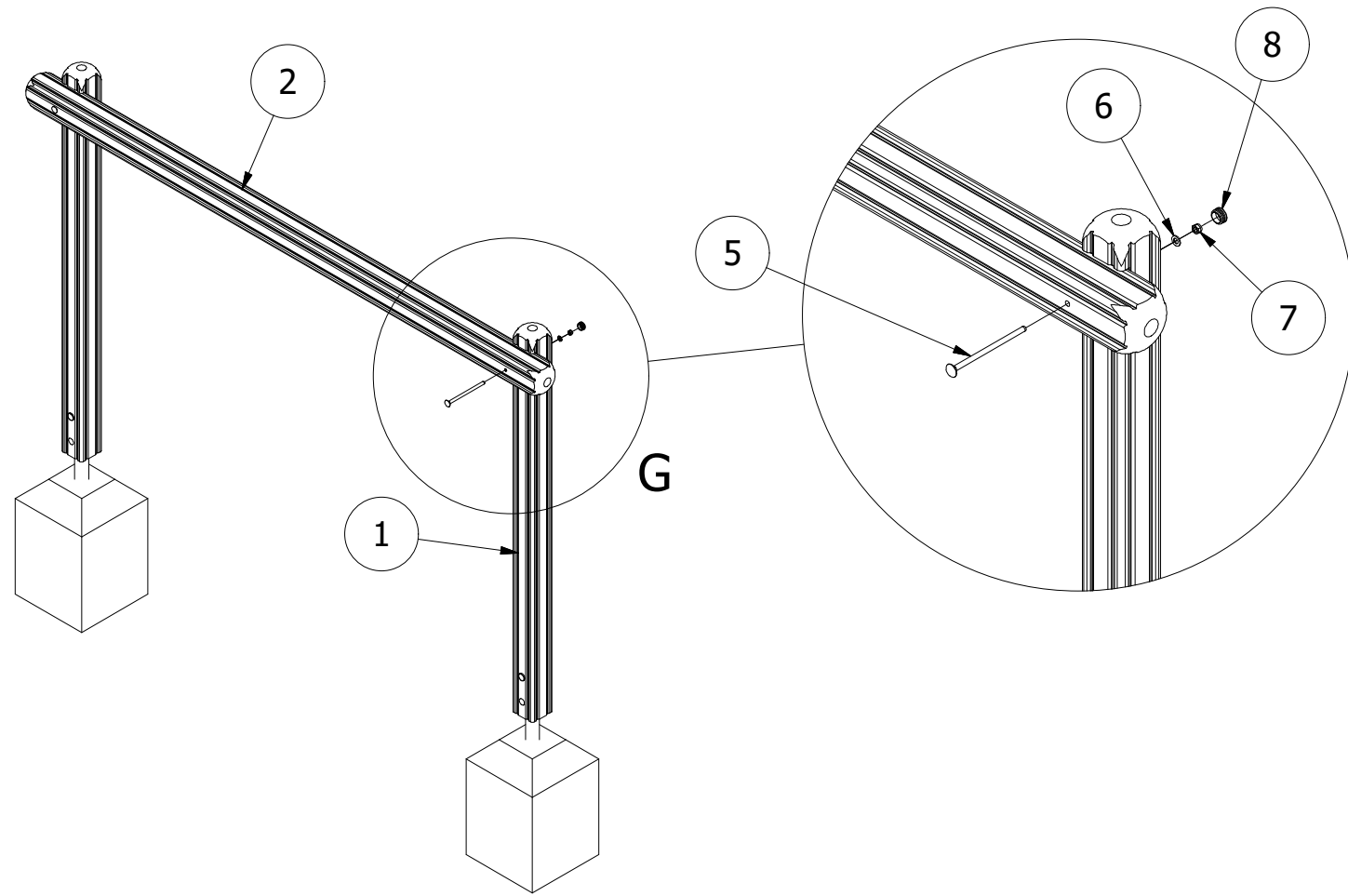
DO NOT SCALE FROM DRAWING  
 Tel: 01354 638359 www.onlineplaygrounds.co.uk



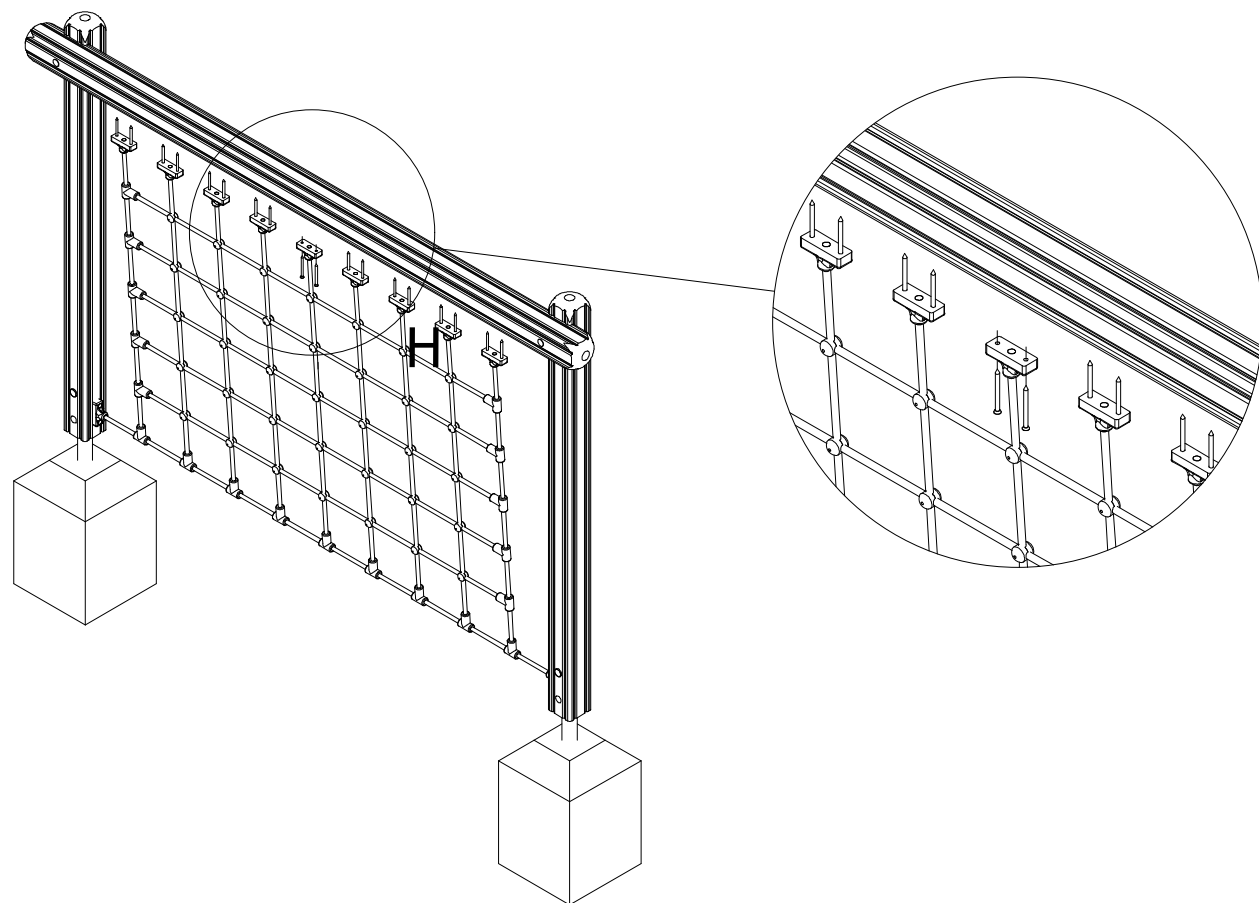
ALL FOUNDATIONS 400 X 400 X 700 DEEP UNLESS OTHERWISE SPECIFIED

|  |   |  |  |
|--|---|--|--|
| UNLESS OTHERWISE SPECIFIED:<br>DIMENSIONS ARE IN MILLIMETERS<br>TOLERANCES:<br>LINEAR: ±2MM<br>1 DECIMAL PLACE: ±0.5MM<br>ANGULAR: ±1° | <b>PROPRIETARY AND CONFIDENTIAL</b><br>THE INFORMATION CONTAINED IN THIS<br>DRAWING IS THE SOLE PROPERTY OF<br>FENLAND LEISURE PRODUCTS. ANY<br>REPRODUCTION IN PART OR AS A WHOLE<br>WITHOUT THE WRITTEN PERMISSION<br>OF FENLAND<br>LEISURE PRODUCTS IS PROHIBITED. | Title: <b>PRO-500-047 NET CLIMB (FC15)</b>                                 |  |
|  |   | Product Range: <b>FITNESS TRAIL</b>  |  |
|   |   | Date:<br>30/04/2019  |  |
|  |   | Page:<br>A3  |  |
|  |   | DO NOT SCALE FROM DRAWING<br>Tel: 01354 638359 www.onlineplaygrounds.co.uk |  |

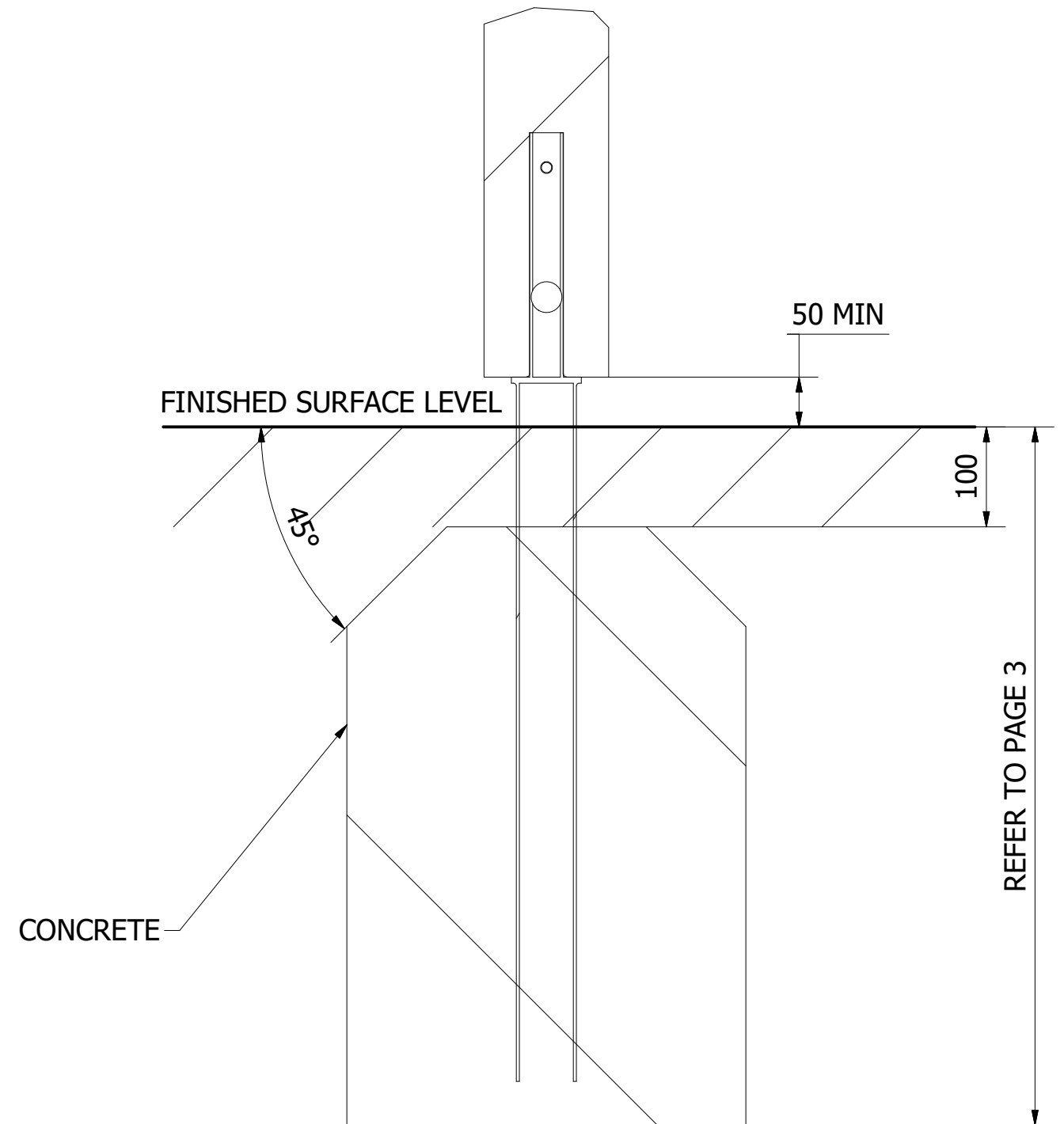
1. LAYING THE UNIT ON THE FLOOR, SECURE THE TOP BEAM TO THE VERTICAL POSTS USING THE SUPPLIED FIXINGS. POSITION THE FRAME INTO THE FOUNDATION HOLES AND BRACE IN PLACE.



2. WITH THE TIMBERS CONNECTED AND BRACED, SECURE THE ROPE TO THE UPPER AND SIDE FRAME USING THE SUPPLIED FIXINGS AS ILLUSTRATED BELOW.



3. FINALLY, ENSURE ALL FIXINGS HAVE BEEN TIGHTENED AND PROTECTIVE CAPS IN PLACE. ADD CONCRETE TO EACH FOUNDATION HOLE AND LEAVE FOR 48 HOURS



UNLESS OTHERWISE SPECIFIED:  
DIMENSIONS ARE IN MILLIMETERS  
TOLERANCES:  
LINEAR:  $\pm 2\text{MM}$   
1 DECIMAL PLACE:  $\pm 0.5\text{MM}$   
ANGULAR:  $\pm 1^\circ$

PROPRIETARY AND CONFIDENTIAL

THE INFORMATION CONTAINED IN THIS DRAWING IS THE SOLE PROPERTY OF FENLAND LEISURE PRODUCTS. ANY REPRODUCTION IN PART OR AS A WHOLE WITHOUT THE WRITTEN PERMISSION OF FENLAND LEISURE PRODUCTS IS PROHIBITED.

Title: PRO-500-047 NET CLIMB (FC15)

Product Range: FITNESS TRAIL

Date:  
30/04/2019

Page:

A3



DO NOT SCALE FROM DRAWING

Tel: 01354 638359 www.onlineplaygrounds.co.uk