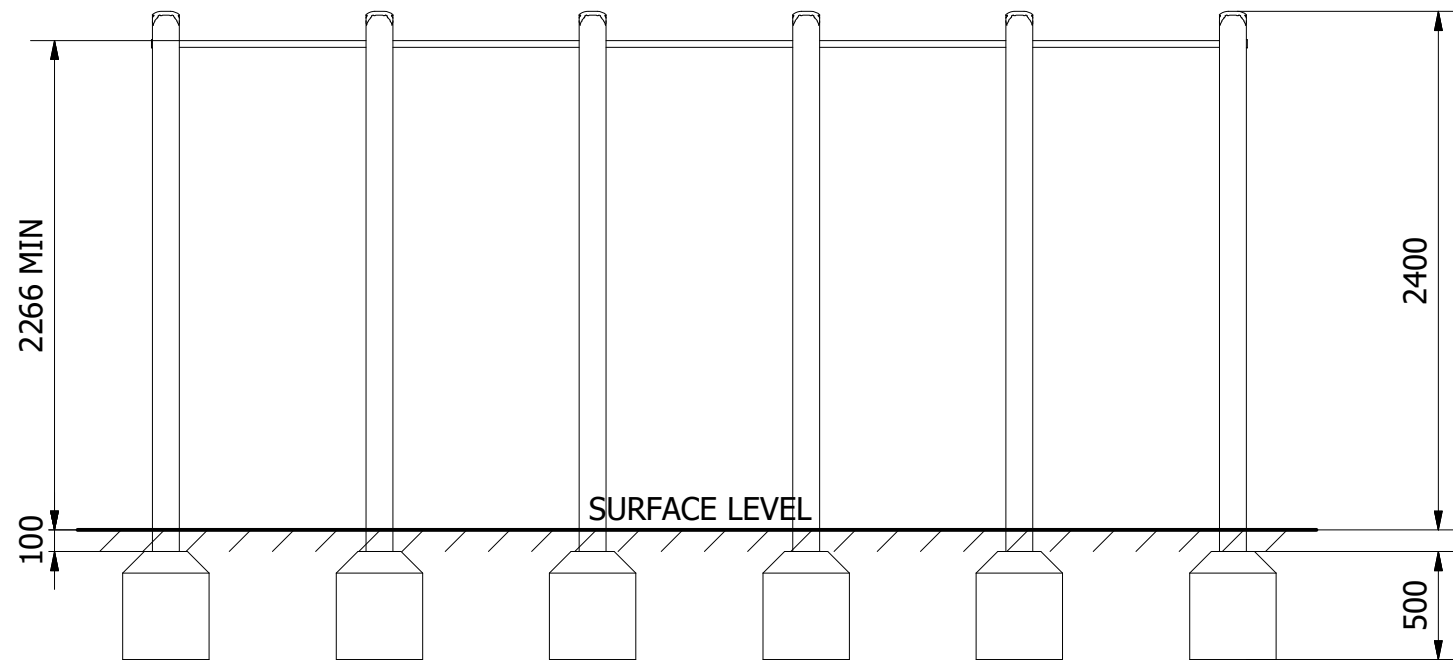
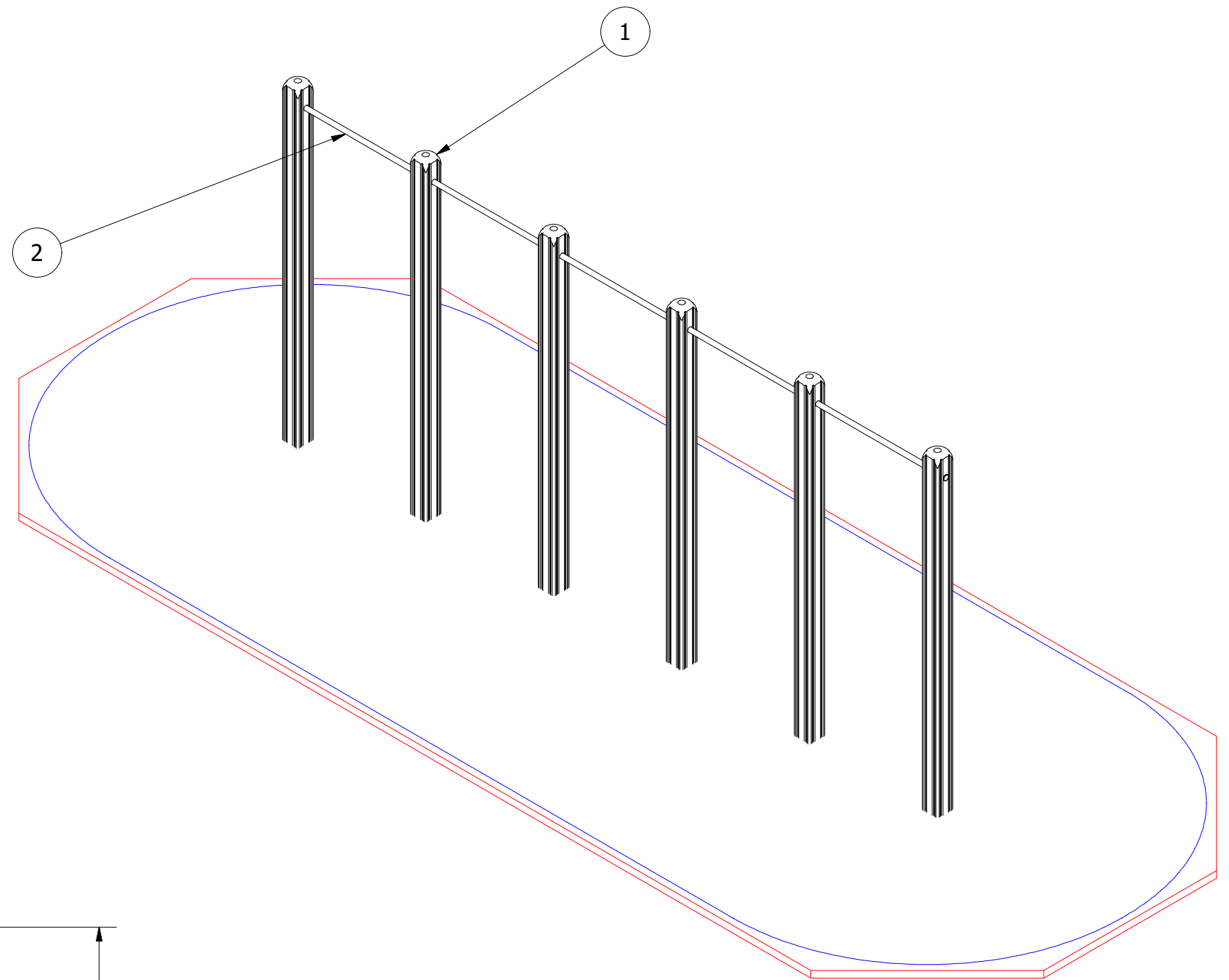


PARTS LIST

ITEM	QTY	PART NUMBER	DESCRIPTION	STOCK NUMBER
1	6	TB-200-328	3000mm x 125mm SAFALOG	COMTIMSAF0001
2	1	MT-300-036	5000 X 31.75 DIA (6063 ALU)	
3	6	M8 X 80 TORX WASHER HEAD	80MM WASHER SCREW	COMA2WH8X80
4	6	30MM BOLT COVER	30MM BLACK CAP	COMPLACAP0001
5	2	34MM BOLT COVER	34MM CAP	COMPLACAP0003
6	12	GROUND IRON	FOUNDATION GROUND IRON	
7	6	400 x 400 x 500	0.08 <sup>3</sup> CONCRETE FOUNDATION	

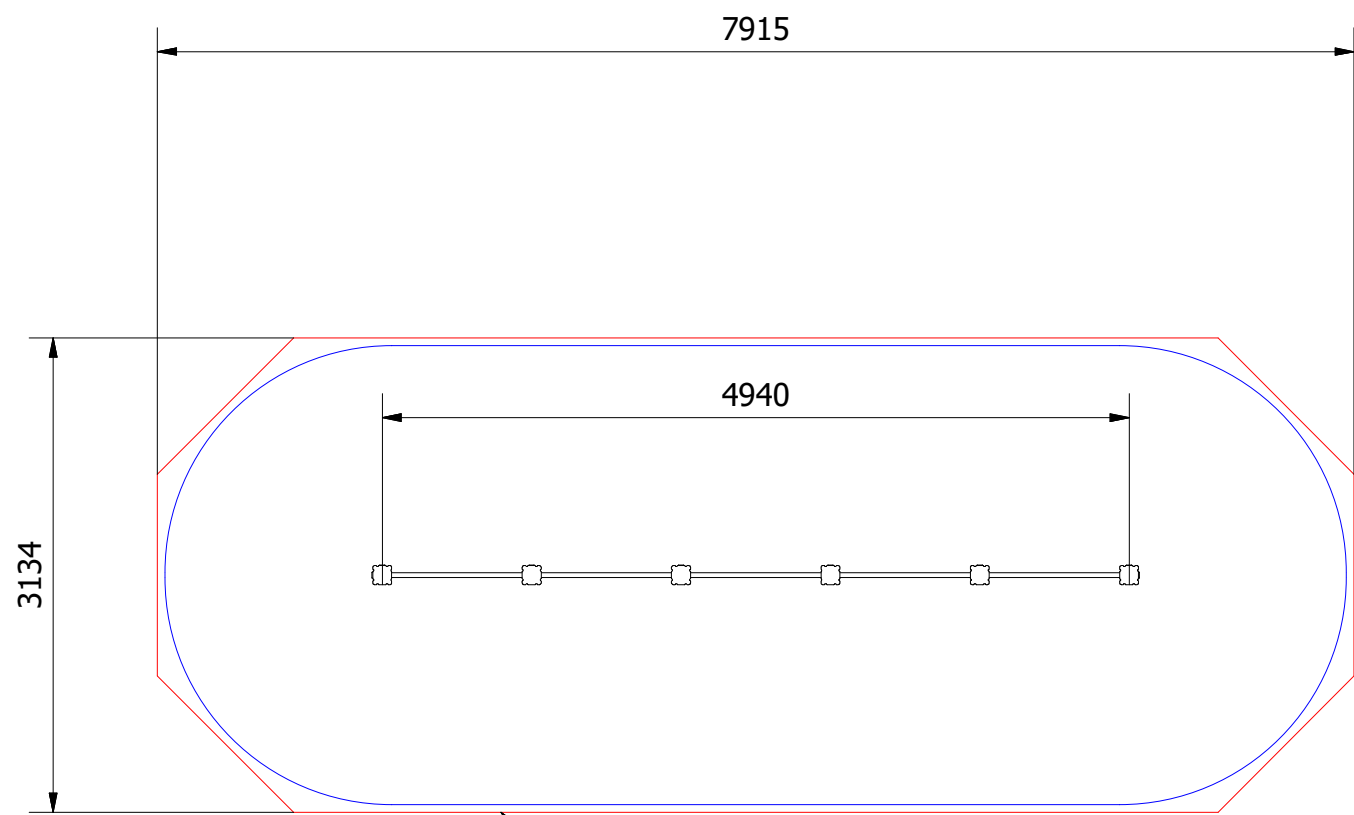
INDICATOR SIGN

ITEM	QTY	PART NUMBER	DESCRIPTION
1	1	TB-200-399	1650 x 112mm (FC281650P)
2	1	PE-400-035	COMSIGSIG0032
3	4	M3 X 25 POZI PAN SCREW	COMHARSTA0009
4	1	GROUND IRON	FOUNDATION GROUND IRON
5	1	300 x 300 x 400	0.036M <sup>3</sup> CONCRETE FOUNDATION

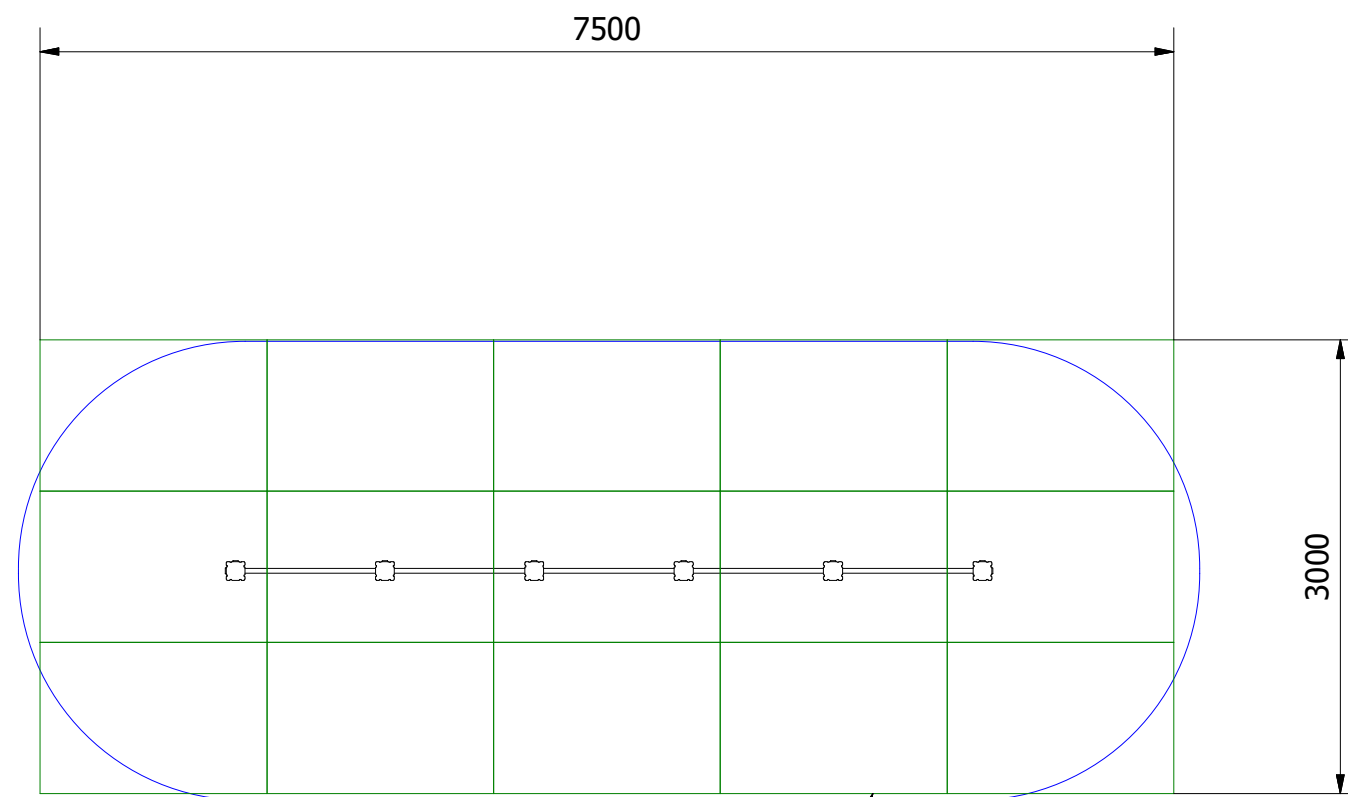


NOTES:  
 STEELWORK: EXPORT - ALUMINIUM  
 U.K - STAINLESS STEEL  
 INDICATOR SIGN: EXPORT - COMSIGSIG0042  
 U.K - COMSIGSIG0032

UNLESS OTHERWISE SPECIFIED: DIMENSIONS ARE IN MILLIMETERS TOLERANCES: LINEAR: ±2MM 1 DECIMAL PLACE: ±0.5MM ANGULAR: ±1°	<b>PROPRIETARY AND CONFIDENTIAL</b> THE INFORMATION CONTAINED IN THIS DRAWING IS THE SOLE PROPERTY OF FENLAND LEISURE PRODUCTS. ANY REPRODUCTION IN PART OR AS A WHOLE WITHOUT THE WRITTEN PERMISSION OF FENLAND LEISURE PRODUCTS IS PROHIBITED.	Title: PRO-500-046 GROUP HEAVE (GP3)	
		Product Range: FITNESS TRAIL	
		1.3M FFH	Date: 01/05/2019
		DO NOT SCALE FROM DRAWING	
		Tel: 01354 638359 www.onlineplaygrounds.co.uk	



WETPOUR AREA = 23.2M<sup>2</sup>  
 PERIMETER = 19.9 L/M



MIN SPACE

15 SAFAGRASS TILES (1.5 X 1.0)

UNLESS OTHERWISE SPECIFIED:  
 DIMENSIONS ARE IN MILLIMETERS  
 TOLERANCES:  
 LINEAR: ±2MM  
 1 DECIMAL PLACE: ±0.5MM  
 ANGULAR: ±1°

**PROPRIETARY AND CONFIDENTIAL**  
 THE INFORMATION CONTAINED IN THIS  
 DRAWING IS THE SOLE PROPERTY OF  
 FENLAND LEISURE PRODUCTS. ANY  
 REPRODUCTION IN PART OR AS A WHOLE  
 WITHOUT THE WRITTEN PERMISSION  
 OF FENLAND  
 LEISURE PRODUCTS IS PROHIBITED.

Title: PRO-500-046 GROUP HEAVE (GP3)

Product Range: FITNESS TRAIL

Date:  
01/05/2019

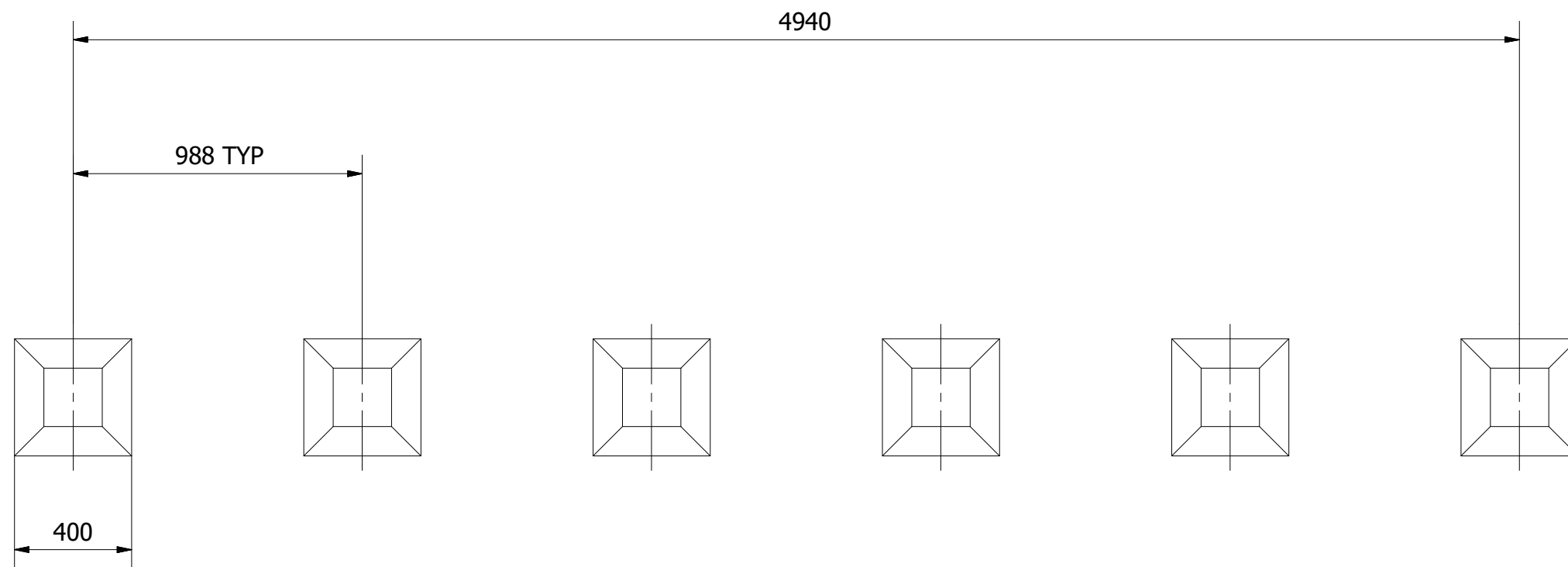
Page:

A3



DO NOT SCALE FROM DRAWING

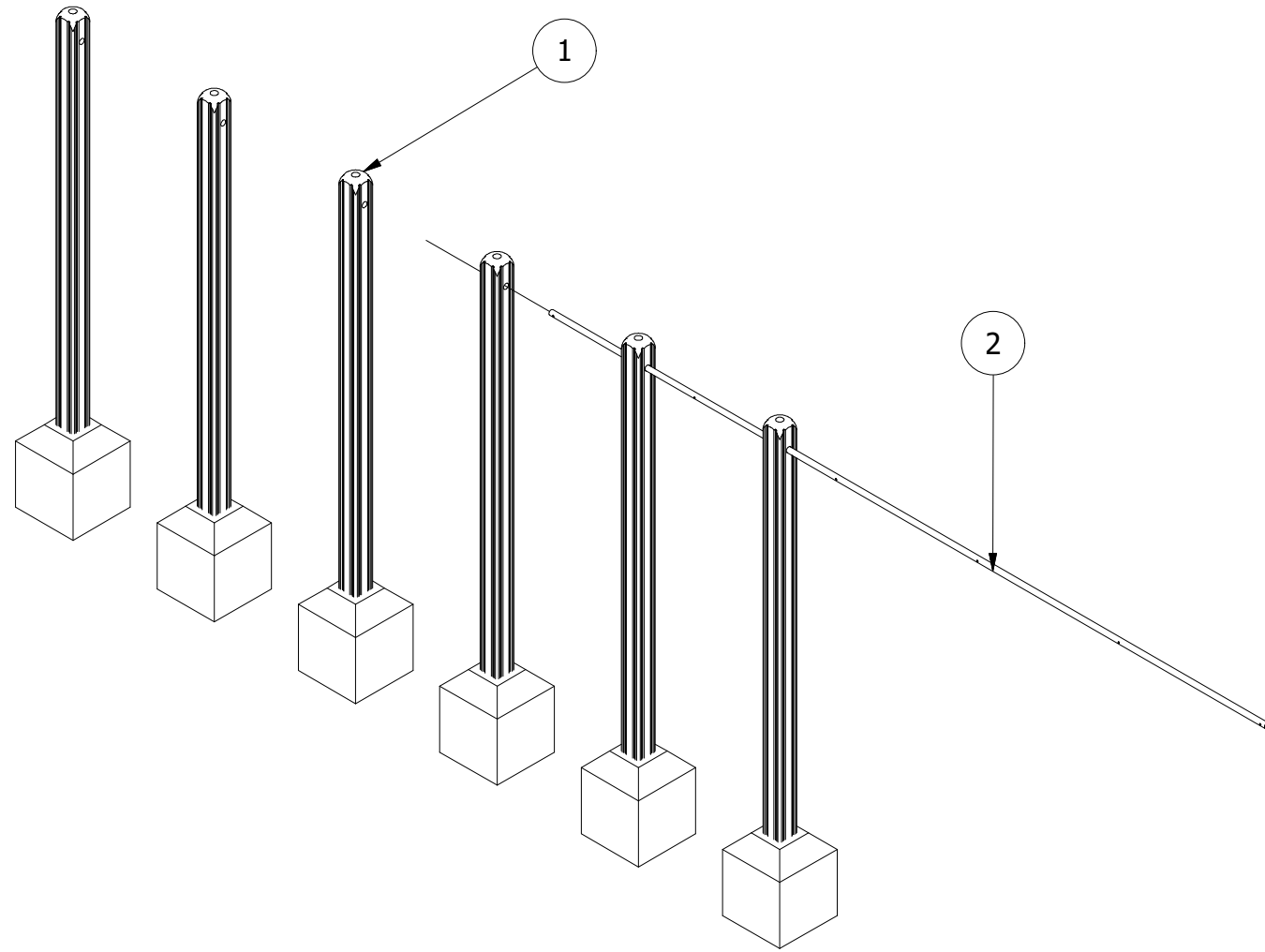
Tel: 01354 638359 www.onlineplaygrounds.co.uk



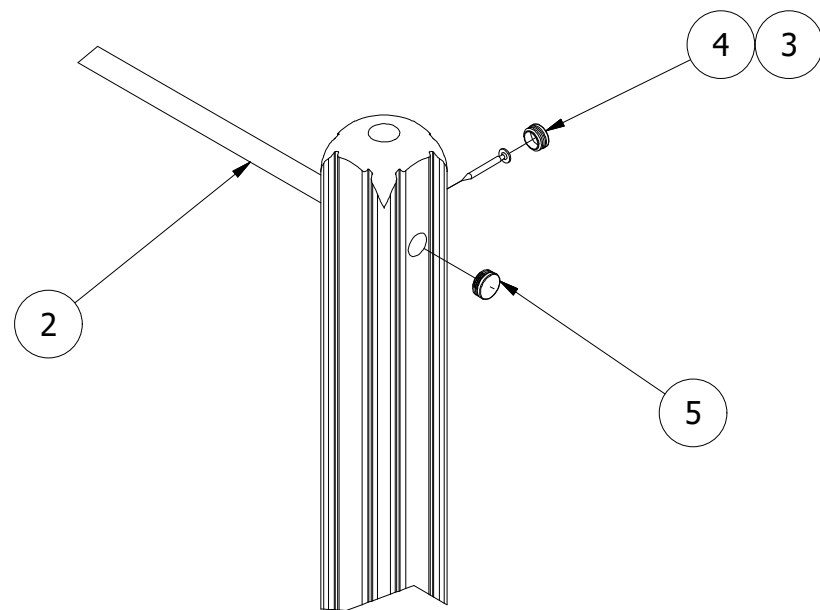
ALL FOUNDATIONS 400 X 400 X 600 DEEP UNLESS OTHERWISE SPECIFIED  
800 DEEP FOR SAND OR BARK PIT

UNLESS OTHERWISE SPECIFIED: DIMENSIONS ARE IN MILLIMETERS TOLERANCES: LINEAR: ±2MM 1 DECIMAL PLACE: ±0.5MM ANGULAR: ±1°	<b>PROPRIETARY AND CONFIDENTIAL</b> THE INFORMATION CONTAINED IN THIS DRAWING IS THE SOLE PROPERTY OF FENLAND LEISURE PRODUCTS. ANY REPRODUCTION IN PART OR AS A WHOLE WITHOUT THE WRITTEN PERMISSION OF FENLAND LEISURE PRODUCTS IS PROHIBITED.	Title: PRO-500-046 GROUP HEAVE (GP3)	
		Product Range: FITNESS TRAIL	
		Date: 01/05/2019	
		Page: A3	
		DO NOT SCALE FROM DRAWING	
		Tel: 01354 638359 www.onlineplaygrounds.co.uk	

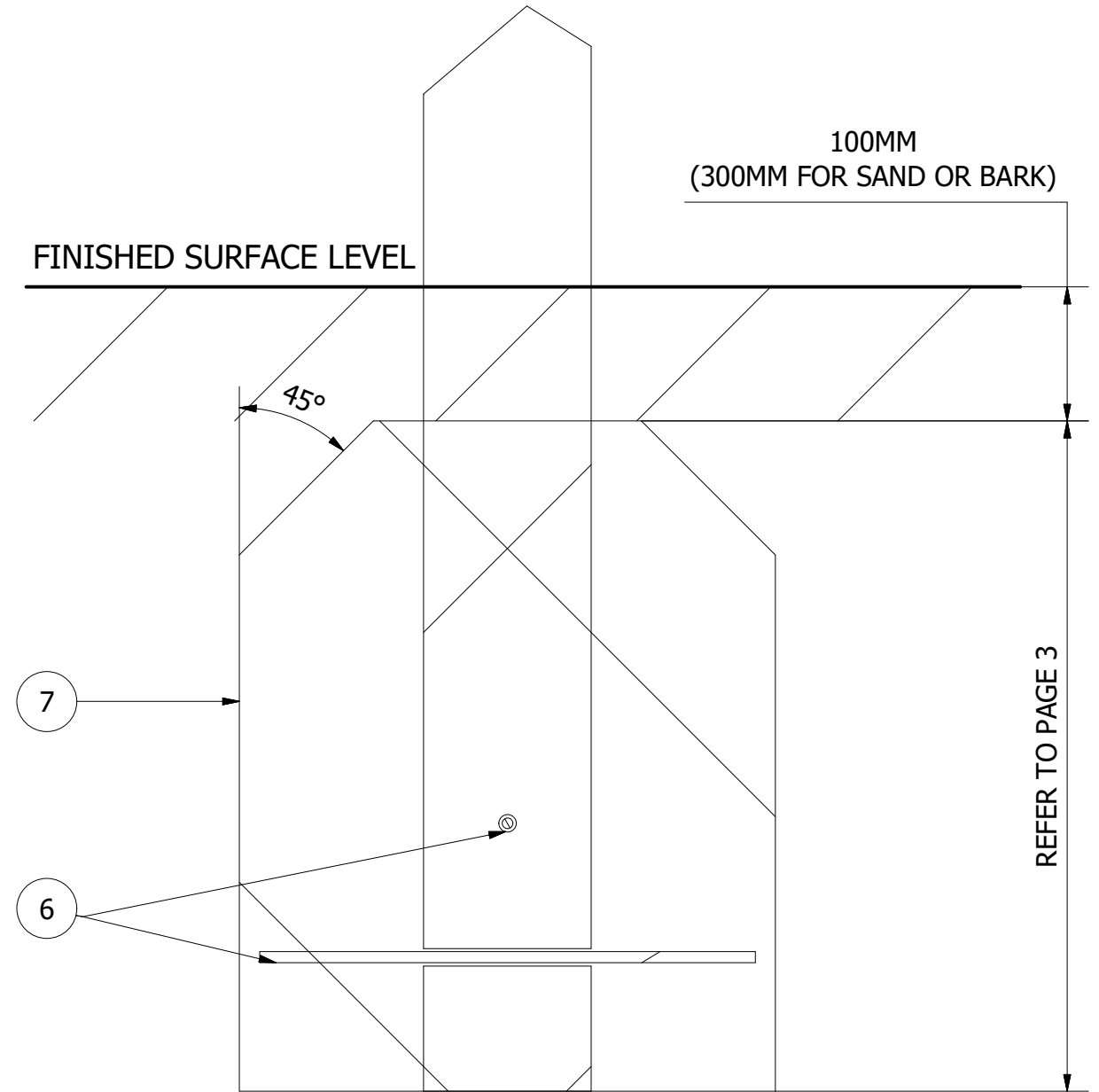
1. POSITION THE UPRIGHT POSTS INTO THE FOUNDATION HOLES AND BRACE. PUSH THE PULL UP BAR (ITEM 2) THROUGH THE BORED HOLES CONENCTING THE TIMBERS TOGETHER IN A LINE.



2. WITH THE TIMBERS CONNECTED AND BRACED, SECURE IN PLACE USING THE SUPPLIED FIXINGS AS ILLUSTRATED BELOW.



3. FINALLY, ENSURE ALL FIXINGS HAVE BEEN TIGHTENED AND PROTECTIVE CAPS IN PLACE. ADD CONCRETE TO EACH FOUNDATION HOLE AND LEAVE FOR 48 HOURS



UNLESS OTHERWISE SPECIFIED:  
DIMENSIONS ARE IN MILLIMETERS  
TOLERANCES:  
LINEAR: ±2MM  
1 DECIMAL PLACE: ±0.5MM  
ANGULAR: ±1°

**PROPRIETARY AND CONFIDENTIAL**  
THE INFORMATION CONTAINED IN THIS DRAWING IS THE SOLE PROPERTY OF FENLAND LEISURE PRODUCTS. ANY REPRODUCTION IN PART OR AS A WHOLE WITHOUT THE WRITTEN PERMISSION OF FENLAND LEISURE PRODUCTS IS PROHIBITED.

Title: PRO-500-046 GROUP HEAVE (GP3)

Product Range: FITNESS TRAIL

Date: 01/05/2019

Page: A3



DO NOT SCALE FROM DRAWING

Tel: 01354 638359 www.onlineplaygrounds.co.uk