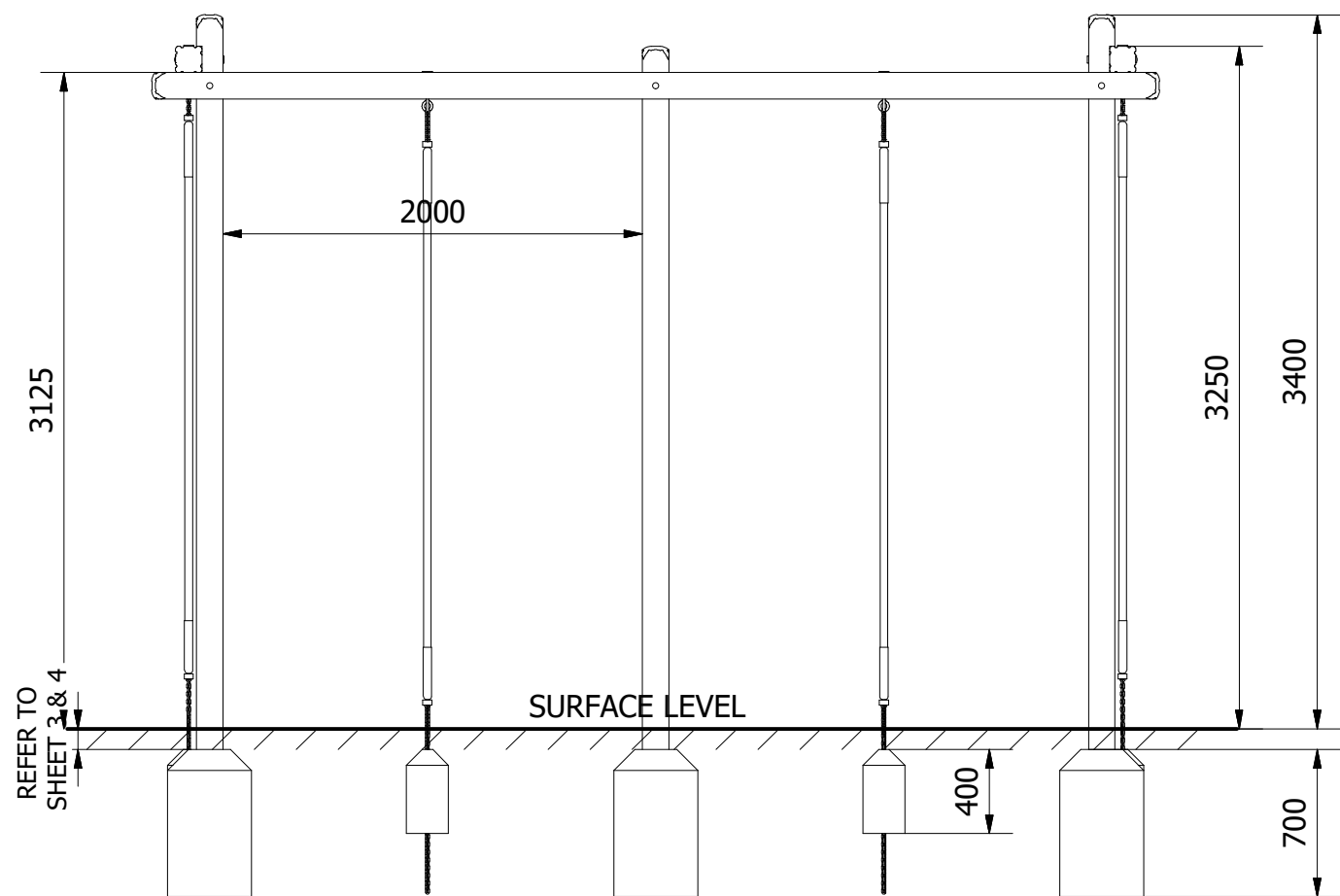
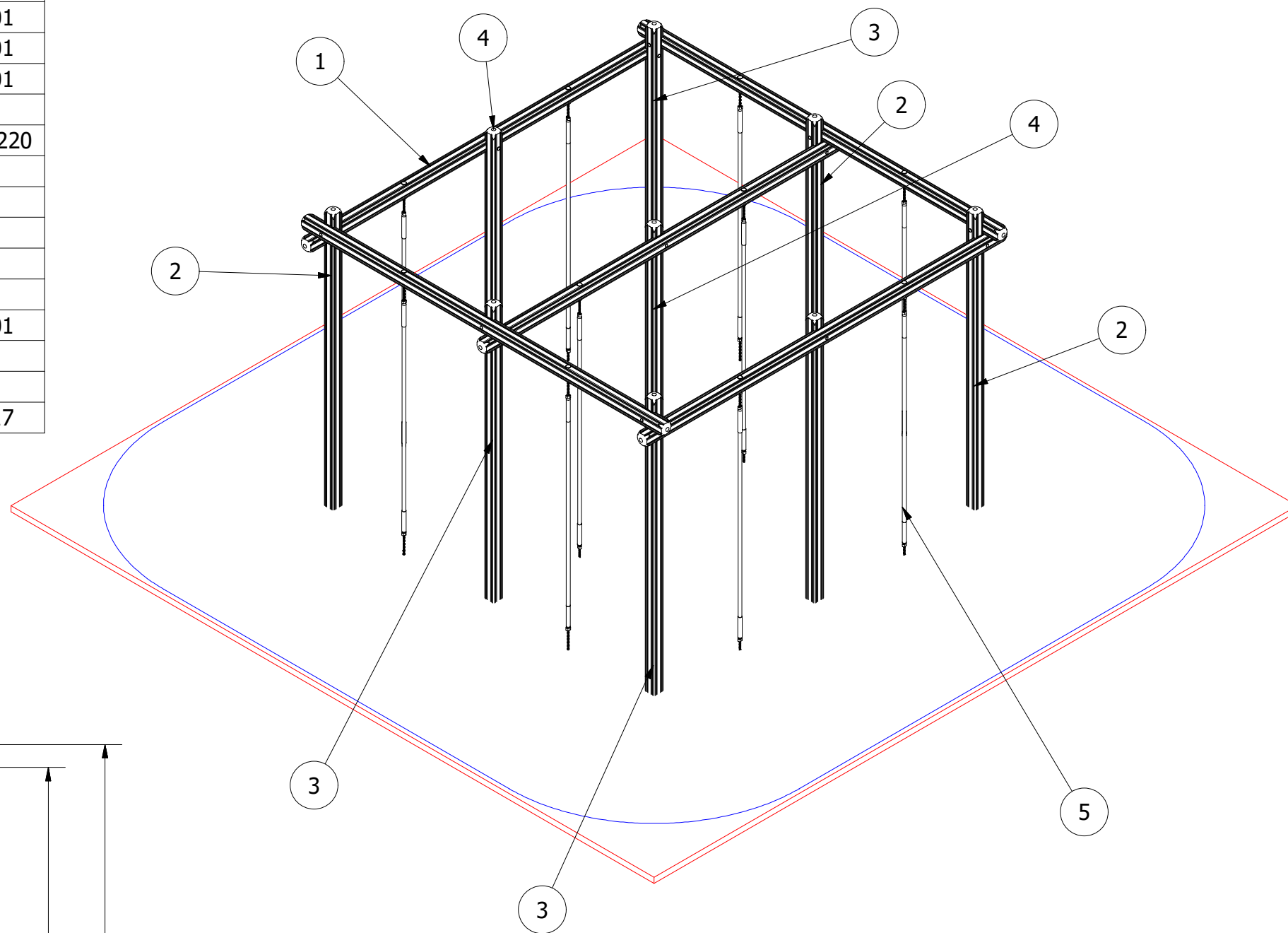


PARTS LIST


ITEM	QTY	PART NUMBER	DESCRIPTION	STOCK NUMBER
1	5	TB-200-325	4800mm x 125mm SAFALOG	COMTIMSAF0001
2	3	TB-200-324	4200mm x 125mm SAFALOG	COMTIMSAF0001
3	3	TB-200-326	4200mm x 125mm SAFALOG	COMTIMSAF0001
4	3	TB-200-327	4050mm x 125mm SAFALOG	COMTIMSAF0001
5	10	RS-100-039	36MM POLYHEMP ROPE	
6	15	M12 X 220 COACH BOLT	M12 X 220 (DIN 603)	COMA2CBM12X220
7	15	M12 WASHER	M12 WASHER (DIN 125)	COMA2FWM12
8	15	M12 NYLOC NUT	M12 NYLOC NUT (DIN 985)	COMA2NNM12
9	10	M16 WASHER	M16 WASHER (DIN 125)	COMA2FWM16
10	10	M16 NYLOC NUT	M16 NYLOC NUT (DIN 985)	COMA2NNM16
13	18	GROUND IRON	FOUNDATION GROUND IRON	
11	15	30MM BOLT COVER	30MM BLACK CAP	COMPLACAP0001
14	9	400 x 400 x 700	0.112 ³ CONCRETE FOUNDATION	
15	10	200 x 200 x 400	0.016 ³ CONCRETE FOUNDATION	
12	10	45MM BOLT COVER	45MM CAP	COMPLACAP0017

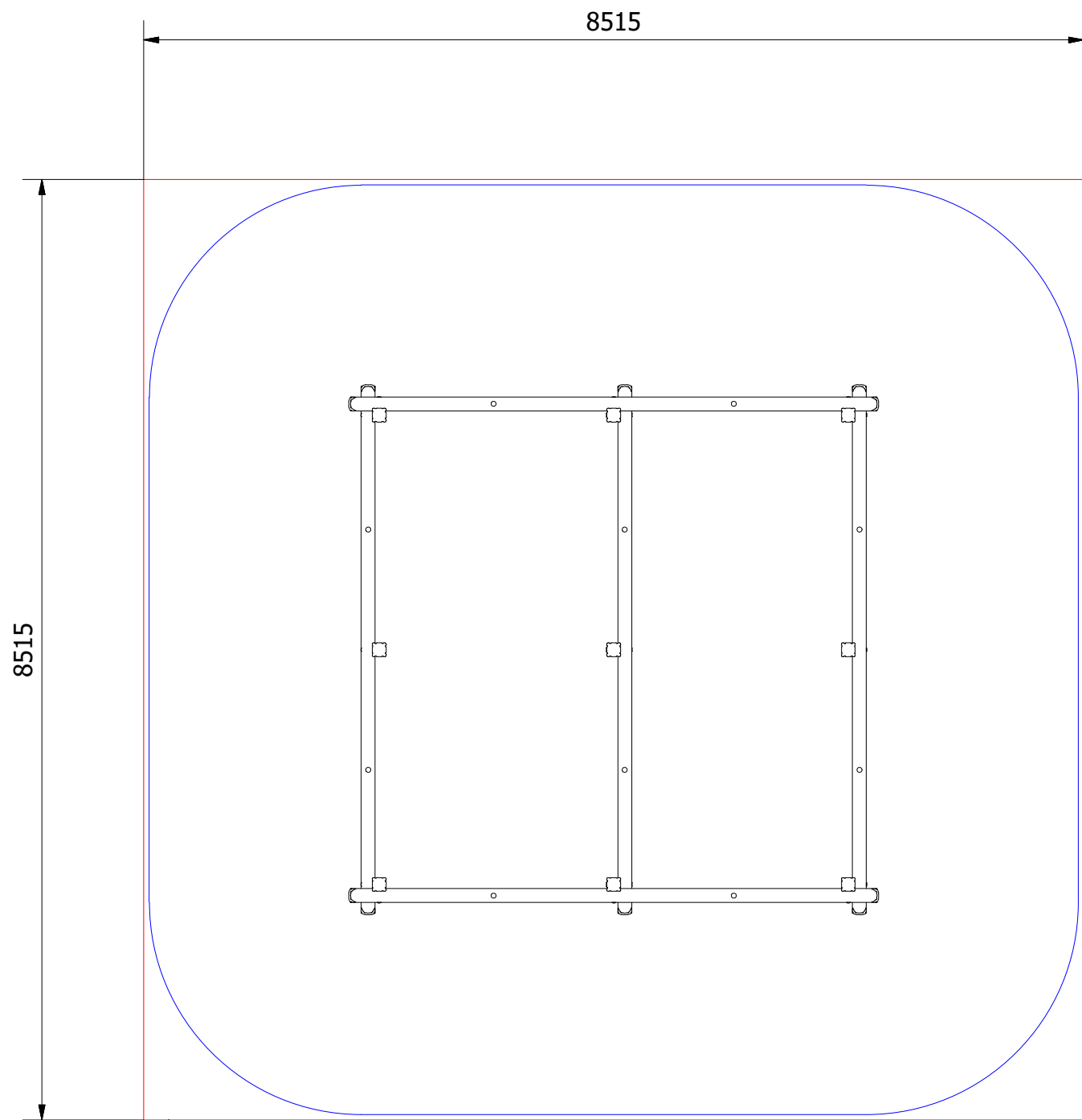
INDICATOR SIGN

ITEM	QTY	PART NUMBER	DESCRIPTION
1	1	TB-200-399	1650 x 112mm (FC281650P)
2	1	PE-400-035	COMSIGSIG0032
3	4	M3 X 25 POZI PAN SCREW	COMHARSTA0009
4	1	GROUND IRON	FOUNDATION GROUND IRON
5	1	300 x 300 x 400	0.036M ³ CONCRETE FOUNDATION

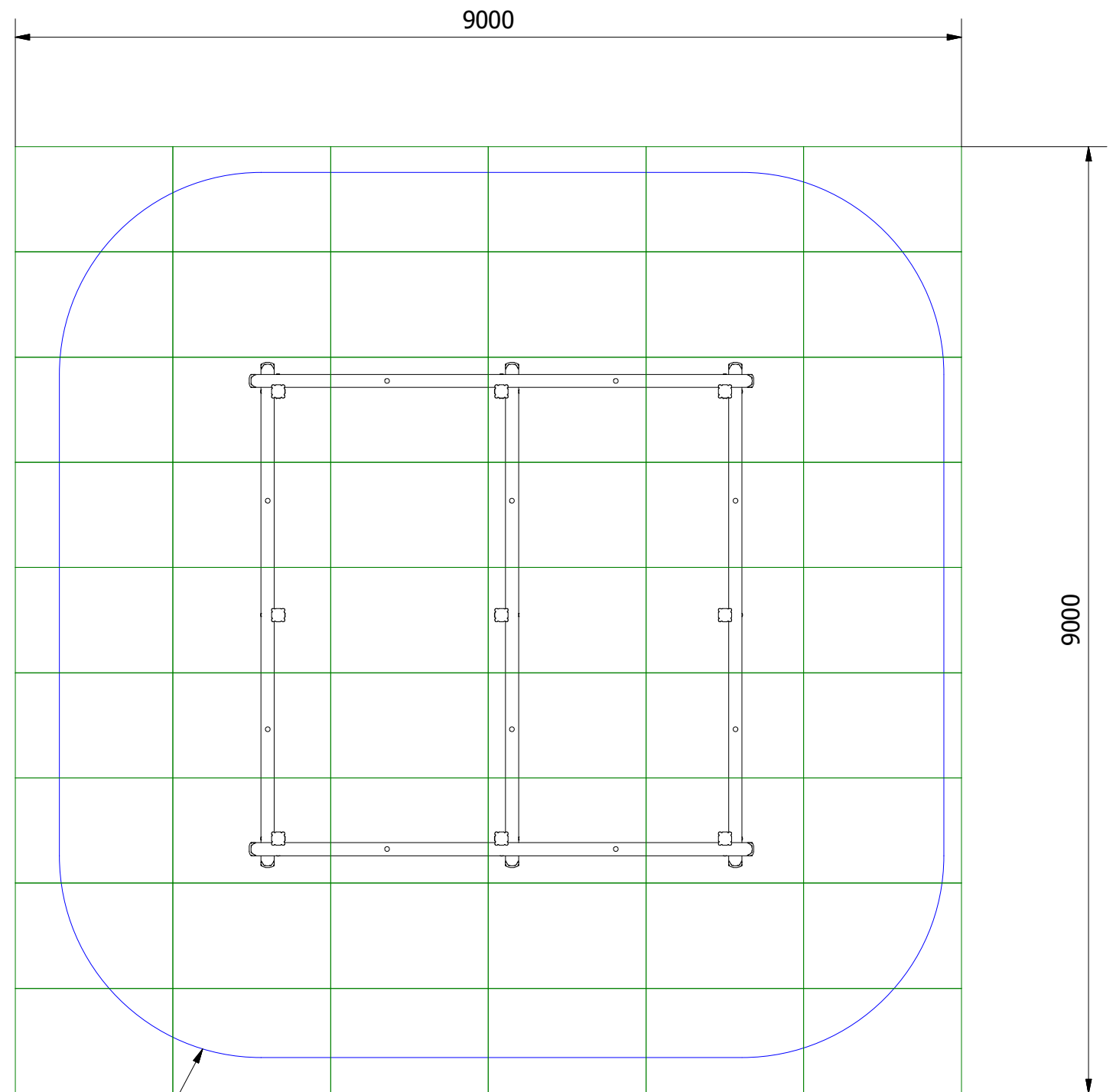


NOTES:
 STEELWORK: EXPORT - ALUMINIUM
 U.K - STAINLESS STEEL
 INDICATOR SIGN: EXPORT - COMSIGSIG0042
 U.K - COMSIGSIG0032

UNLESS OTHERWISE SPECIFIED: DIMENSIONS ARE IN MILLIMETERS TOLERANCES: LINEAR: ±2MM 1 DECIMAL PLACE: ±0.5MM ANGULAR: ±1°	PROPRIETARY AND CONFIDENTIAL THE INFORMATION CONTAINED IN THIS DRAWING IS THE SOLE PROPERTY OF FENLAND LEISURE PRODUCTS. ANY REPRODUCTION IN PART OR AS A WHOLE WITHOUT THE WRITTEN PERMISSION OF FENLAND LEISURE PRODUCTS IS PROHIBITED.	Title: PRO-500-045 GROUP ROPE CLIMB (GP2)	
		Product Range: FITNESS TRAIL	
		<2.2M FFH	Date: 01/05/2019
		DO NOT SCALE FROM DRAWING	
Tel: 01354 638359		www.onlineplaygrounds.co.uk	



WETPOUR AREA = 72.5M²
PERIMETER = 34 L/M



MIN SPACE

54 SAFAGRASS TILES (1.5 X 1.0M)

UNLESS OTHERWISE SPECIFIED:
DIMENSIONS ARE IN MILLIMETERS
TOLERANCES:
LINEAR: ±2MM
1 DECIMAL PLACE: ±0.5MM
ANGULAR: ±1°

PROPRIETARY AND CONFIDENTIAL
THE INFORMATION CONTAINED IN THIS
DRAWING IS THE SOLE PROPERTY OF
FENLAND LEISURE PRODUCTS. ANY
REPRODUCTION IN PART OR AS A WHOLE
WITHOUT THE WRITTEN PERMISSION
OF FENLAND
LEISURE PRODUCTS IS PROHIBITED.

Title: PRO-500-045 GROUP ROPE CLIMB (GP2)

Product Range: FITNESS TRAIL

Date:
01/05/2019

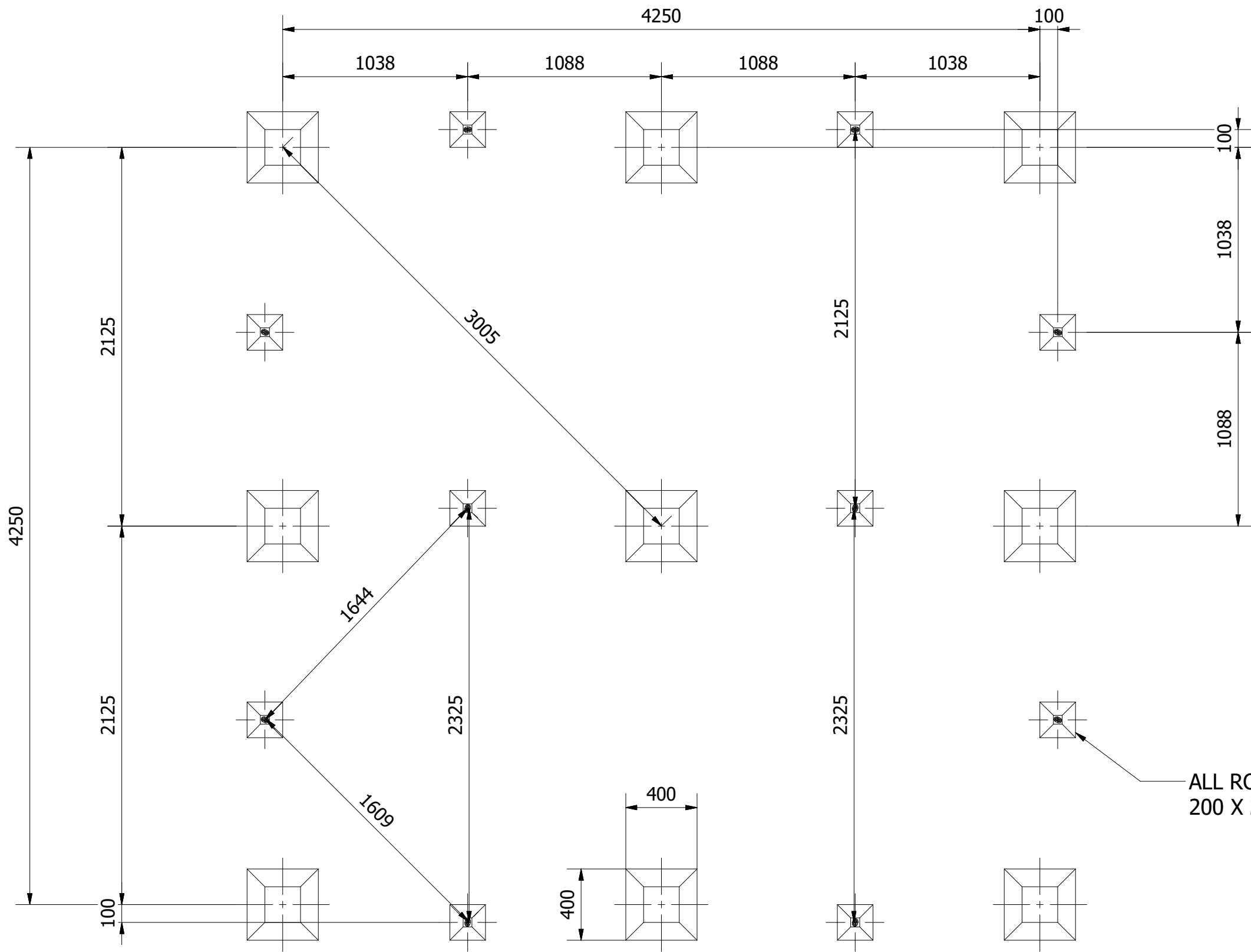
Page:

A3



DO NOT SCALE FROM DRAWING

Tel: 01354 638359 www.onlineplaygrounds.co.uk

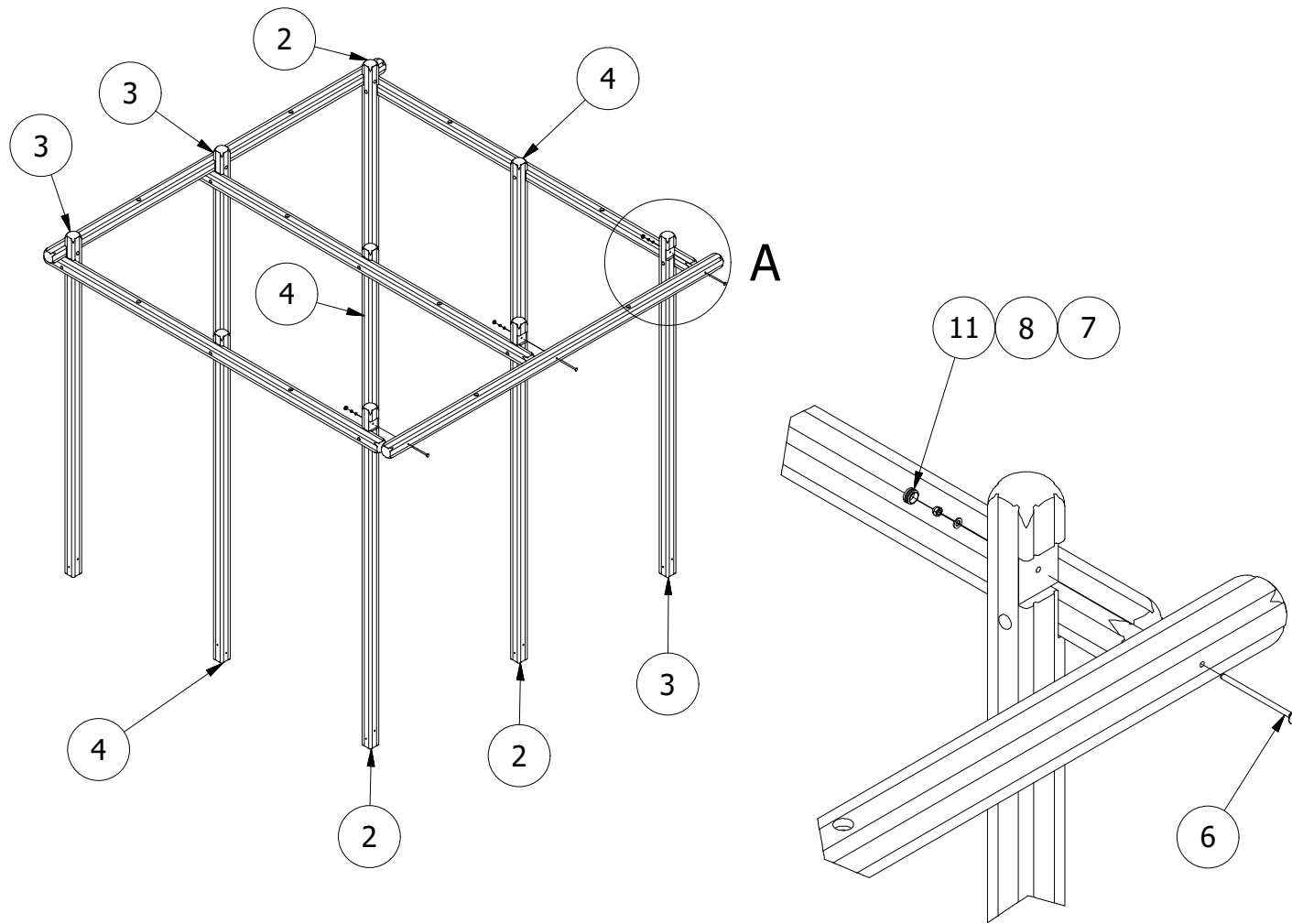


ALL ROPE FOUNDATIONS
 200 X 200 X 500 DEEP
 (700 DEEP FOR SAND OR BARK)

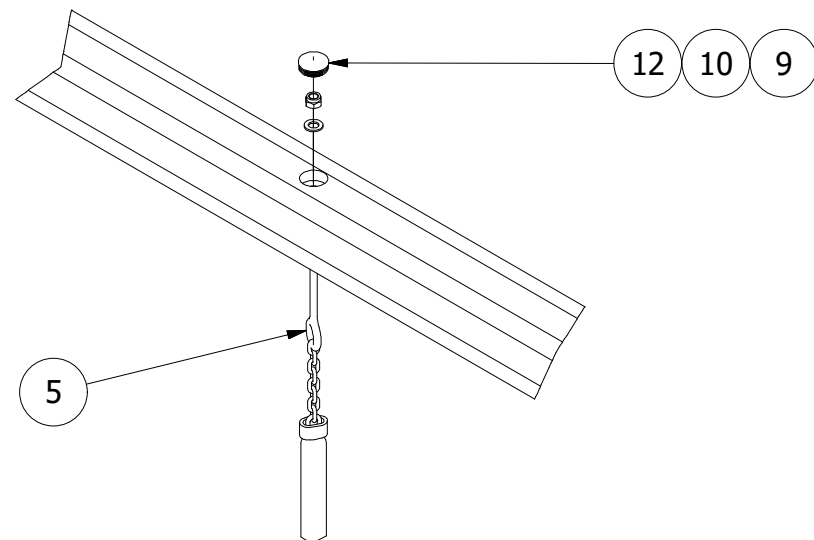
ALL FOUNDATIONS 400 X 400 X 800 DEEP UNLESS OTHERWISE SPECIFIED
 1000 DEEP FOR SAND OR BARK

UNLESS OTHERWISE SPECIFIED: DIMENSIONS ARE IN MILLIMETERS TOLERANCES: LINEAR: ±2MM 1 DECIMAL PLACE: ±0.5MM ANGULAR: ±1°	PROPRIETARY AND CONFIDENTIAL THE INFORMATION CONTAINED IN THIS DRAWING IS THE SOLE PROPERTY OF FENLAND LEISURE PRODUCTS. ANY REPRODUCTION IN PART OR AS A WHOLE WITHOUT THE WRITTEN PERMISSION OF FENLAND LEISURE PRODUCTS IS PROHIBITED.	Title: PRO-500-045 GROUP ROPE CLIMB (GP2)	
		Product Range: FITNESS TRAIL	
		Date: 01/05/2019	
		Page: A3	
DO NOT SCALE FROM DRAWING		Tel: 01354 638359 www.onlineplaygrounds.co.uk	

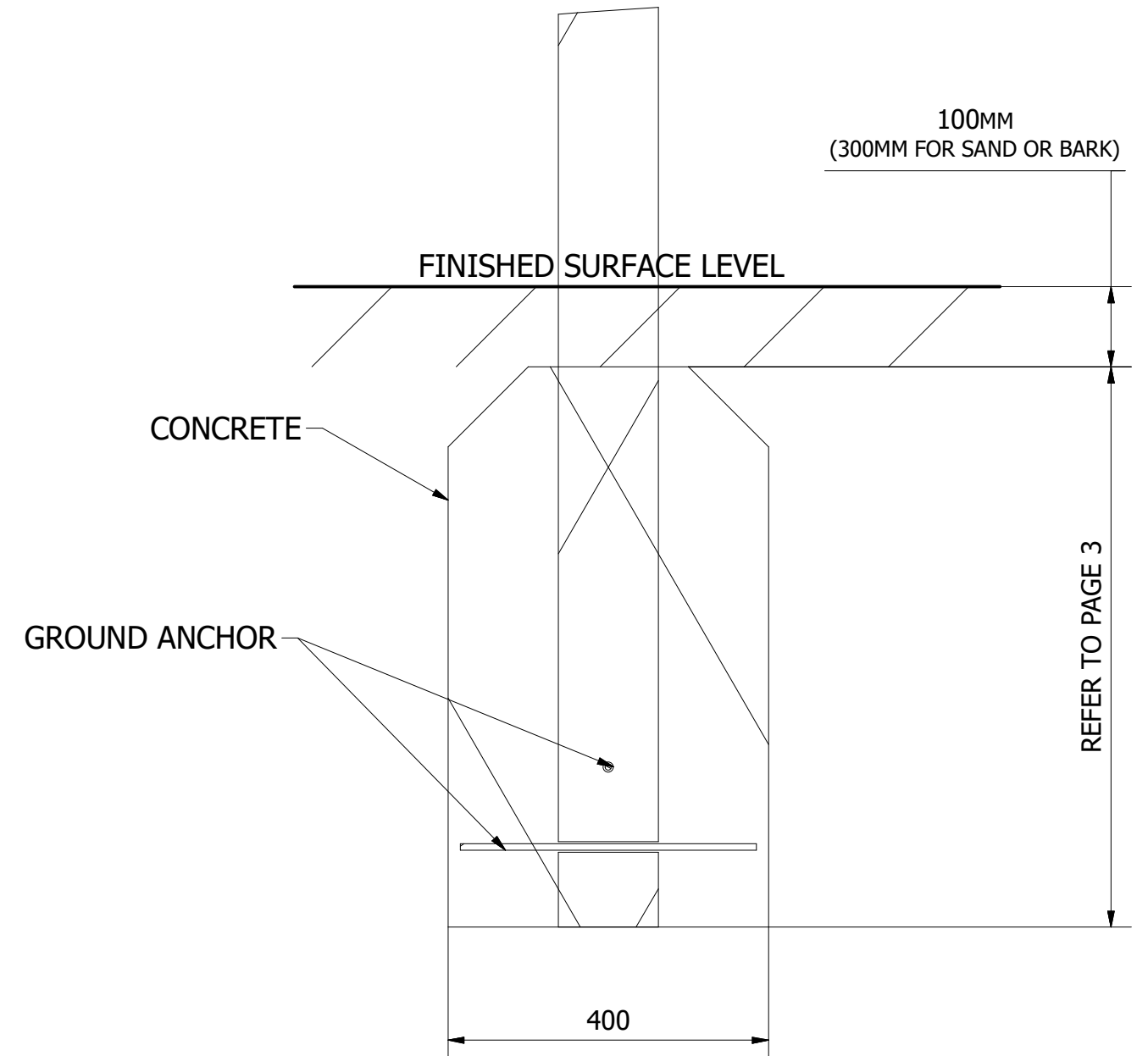
1. POSITION AND BRACE THE UPRIGHT POSTS INTO THE FOUNDATION HOLES. AS SHOWN BELOW, SECURE THE CROSSBEAMS TO THE UPRIGHT POSTS USING THE SUPPLIED COACH BOLTS.



2. WITH THE FRAME ERECTED, SECURE THE ROPES TO THE CROSSBEAM WITH THE LONG CHAIN IN THE FOUNDATION HOLE.



3. FINALLY, ENSURE THE UNIT IS LEVEL AND PLUMB, ALL FIXINGS HAVE BEEN TIGHTENED AND PROTECTIVE CAPS IN PLACE. ADD CONCRETE TO EACH FOUNDATION HOLE AND LEAVE FOR 48 HOURS



UNLESS OTHERWISE SPECIFIED: DIMENSIONS ARE IN MILLIMETERS TOLERANCES: LINEAR: ±2MM 1 DECIMAL PLACE: ±0.5MM ANGULAR: ±1°	PROPRIETARY AND CONFIDENTIAL THE INFORMATION CONTAINED IN THIS DRAWING IS THE SOLE PROPERTY OF FENLAND LEISURE PRODUCTS. ANY REPRODUCTION IN PART OR AS A WHOLE WITHOUT THE WRITTEN PERMISSION OF FENLAND LEISURE PRODUCTS IS PROHIBITED.	Title: PRO-500-045 GROUP ROPE CLIMB (GP2)	
		Product Range: FITNESS TRAIL	
		Date: 01/05/2019	
		Page: A3	
		DO NOT SCALE FROM DRAWING	
		Tel: 01354 638359 www.onlineplaygrounds.co.uk	