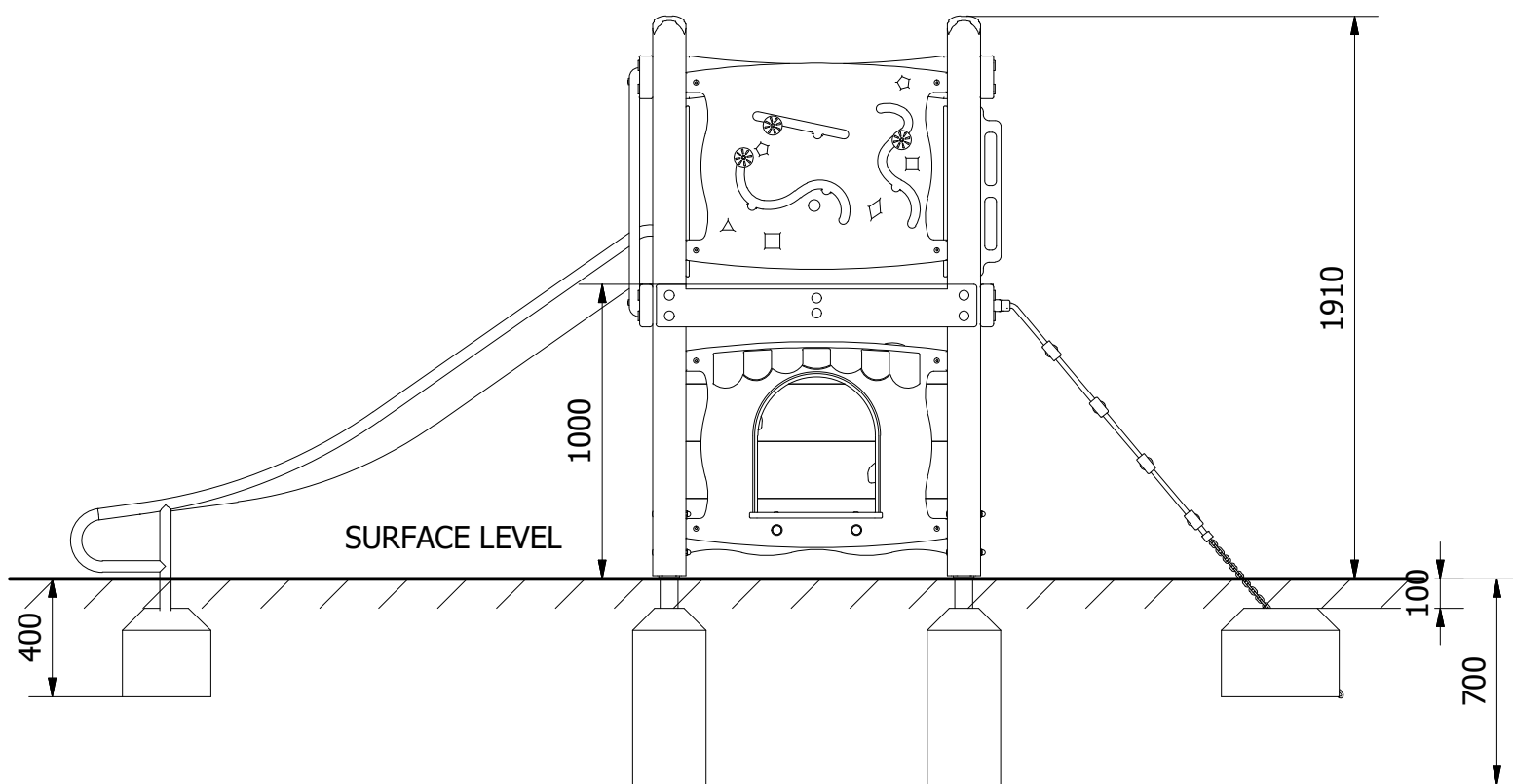
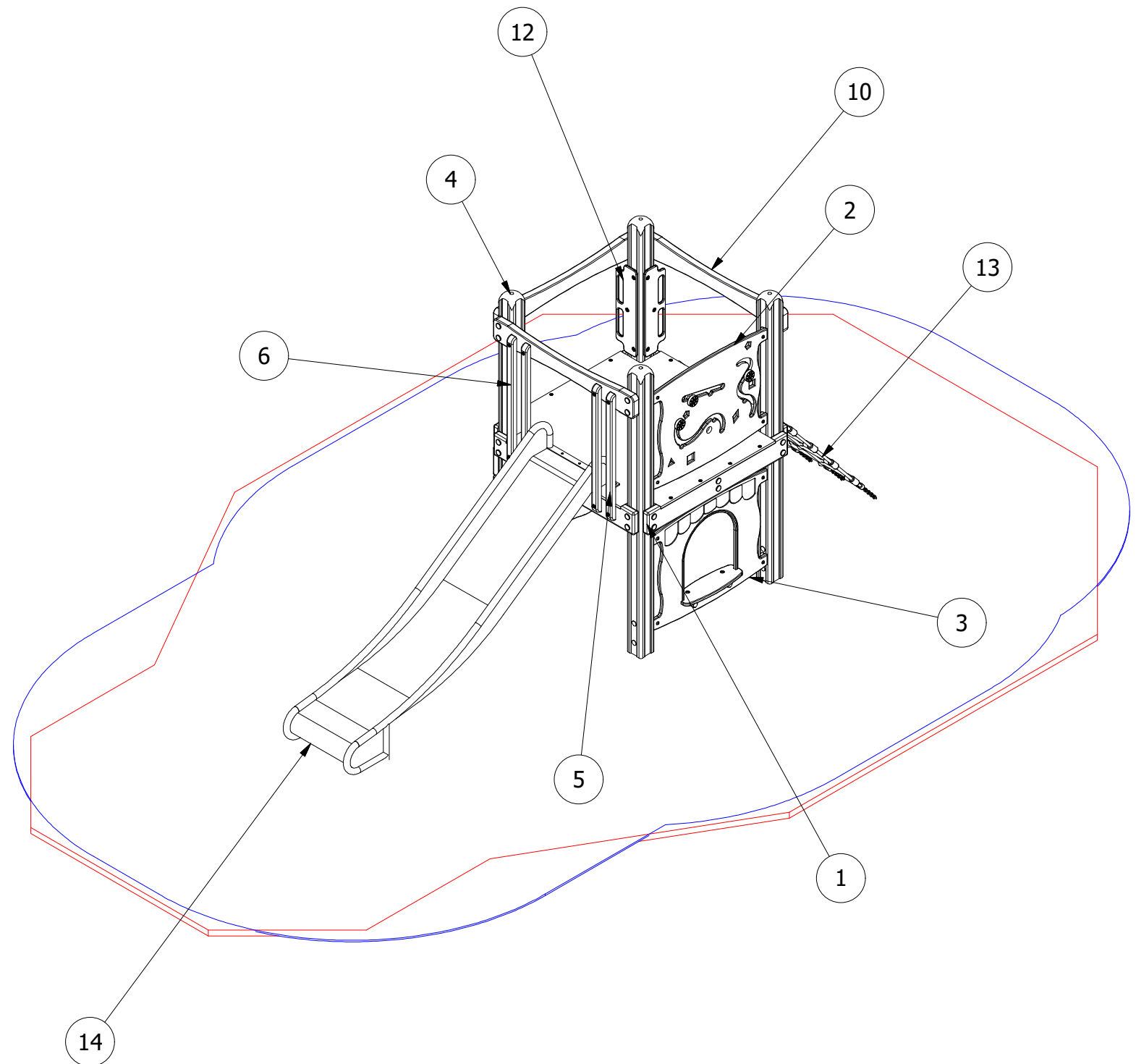


PARTS LIST

ITEM	QTY	PART NUMBER	DESCRIPTION	STOCK NUMBER
1	1	MOD-600-044 MULTIPLAY DECK	1200 X 1200 DECK	
2	1	MOD-600-063 SHAPES PLAY PANEL	PLAY SHAPES PANEL	
3	1	MOD-600-064 SHOP PLAY PANEL	SHOP PLAY PANEL	
4	4	TB-200-535	1900 x 112mm Safalog	COMTIMSAF0002
5	2	TB-200-211_Red	845 X 45 X 35 BARRIER	COMTIMSAW0003
6	2	TB-200-211_Blue	845 X 45 X 35 BARRIER	COMTIMSAW0003
7	1	TB-200-245	1088 X 195 X 45	COMTIMSAW0004
8	2	TB-200-246	1088 X 195 X 45	COMTIMSAW0004
9	1	TB-200-247	1088 X 195 X 45	COMTIMSAW0004
10	3	TB-200-248	1088 X 145 X 45	COMTIMSAW0005
11	1	TB-200-534	888 x 95 x 45	COMTIMSAW0007
12	4	PE-400-017	GERNERIC HAND GRIP	COMPOL0006
13	1	RS-100-044	SCRAMBLE NET	
14	1	ART. 11050 900-1000 SLIDE	900MM-1000MM SLIDE	COMSLIPLA0012
15	3	M6 X 25 CSK SOCKET (DIN 7991)	M6 X 25 (DIN 7991)	COMA2CSMSM6X25
16	3	M6 DOME NUT (DIN 1587)	M6 DOME NUT	COMA2DNM6
17	12	M8 X 50 TORX WASHER HEAD	50MM WASHER SCREW	COMA2WH8X50
18	22	M8 X 80 TORX WASHER HEAD	80MM WASHER SCREW	COMA2WH8X80
19	2	M10 X 30 BUTTON HEAD	M10 X 30 (ISO 7380)	COMA2BHMSM10X30
20	2	M10 DOME NUT (DIN 1587)	M10 DOME NUT	COMA2DNM10
21	8	M12 X 110 COACH BOLT	M12 X 110 (DIN 603)	COMSTABOL110
22	8	M12 DOME NUT	M12 DOME NUT (DIN 1587)	COMA2DNM12
23	28	30MM BOLT COVER	30MM BLACK CAP	COMPLACAP0001
24	4	ART. 1500 1000 GROUND POST	GROUND SHOE	COMSTEMIS0020
25	4	250 x 250 x 600	0.038M <sup>3</sup> CONCRETE FOUNDATION	
26	1	400 x 1000 x 300	0.12M <sup>3</sup> CONCRETE FOUNDATION	
27	1	400 x 600 x 300	0.054M <sup>3</sup> CONCRETE FOUNDATION	



UNLESS OTHERWISE SPECIFIED:  
DIMENSIONS ARE IN MILLIMETERS  
TOLERANCES:  
LINEAR: ±2MM  
1 DECIMAL PLACE: ±0.5MM  
ANGULAR: ±1°

PROPRIETARY AND CONFIDENTIAL

THE INFORMATION CONTAINED IN THIS DRAWING IS THE SOLE PROPERTY OF FENLAND LEISURE PRODUCTS. ANY REPRODUCTION IN PART OR AS A WHOLE WITHOUT THE WRITTEN PERMISSION OF FENLAND LEISURE PRODUCTS IS PROHIBITED.

Title: PRO-500-039 CHERRY ORCHARD

Product Range: MULTIPLAY TOWER

1.0M FFH

Date:  
29/05/2019

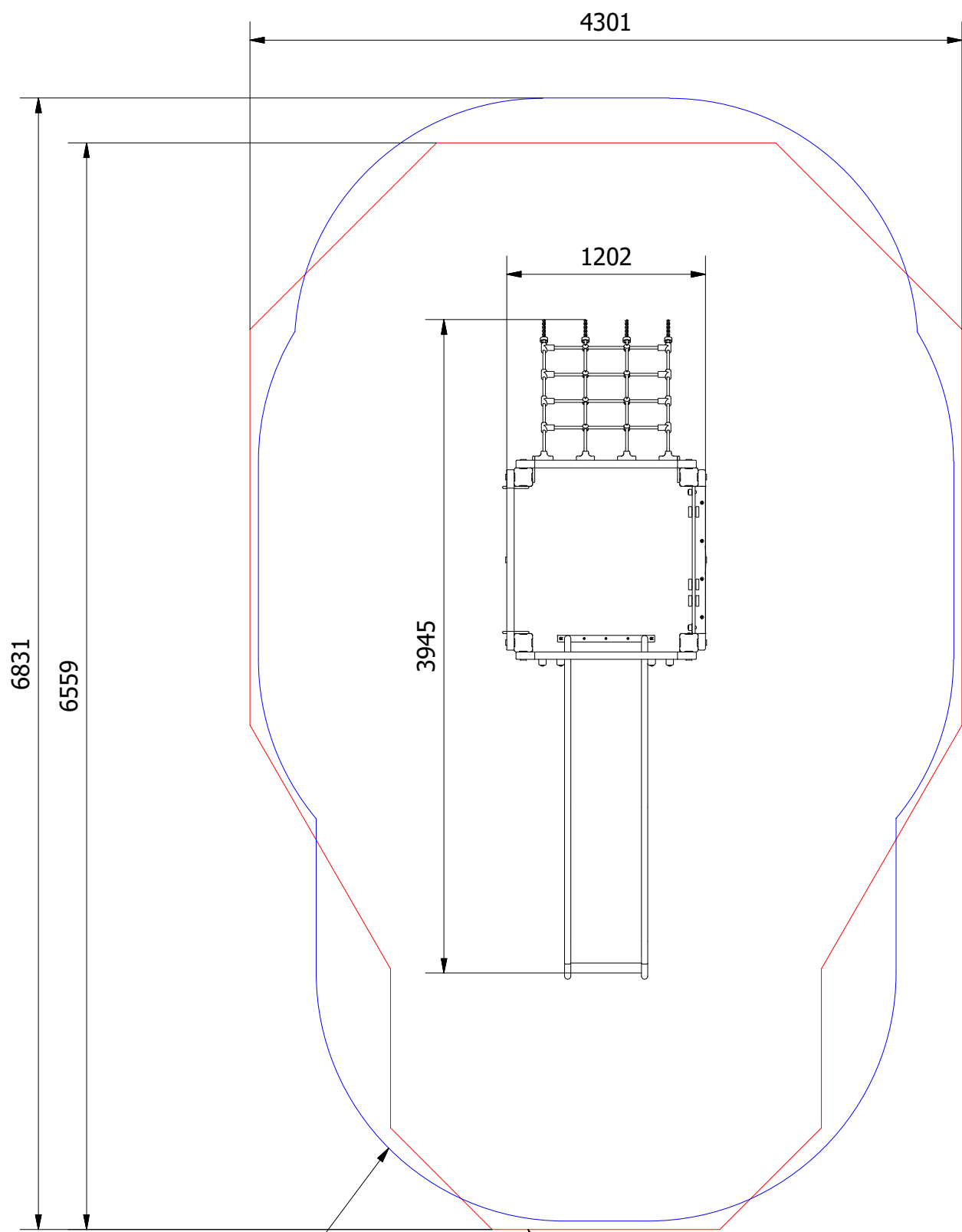
Page:

A3



DO NOT SCALE FROM DRAWING

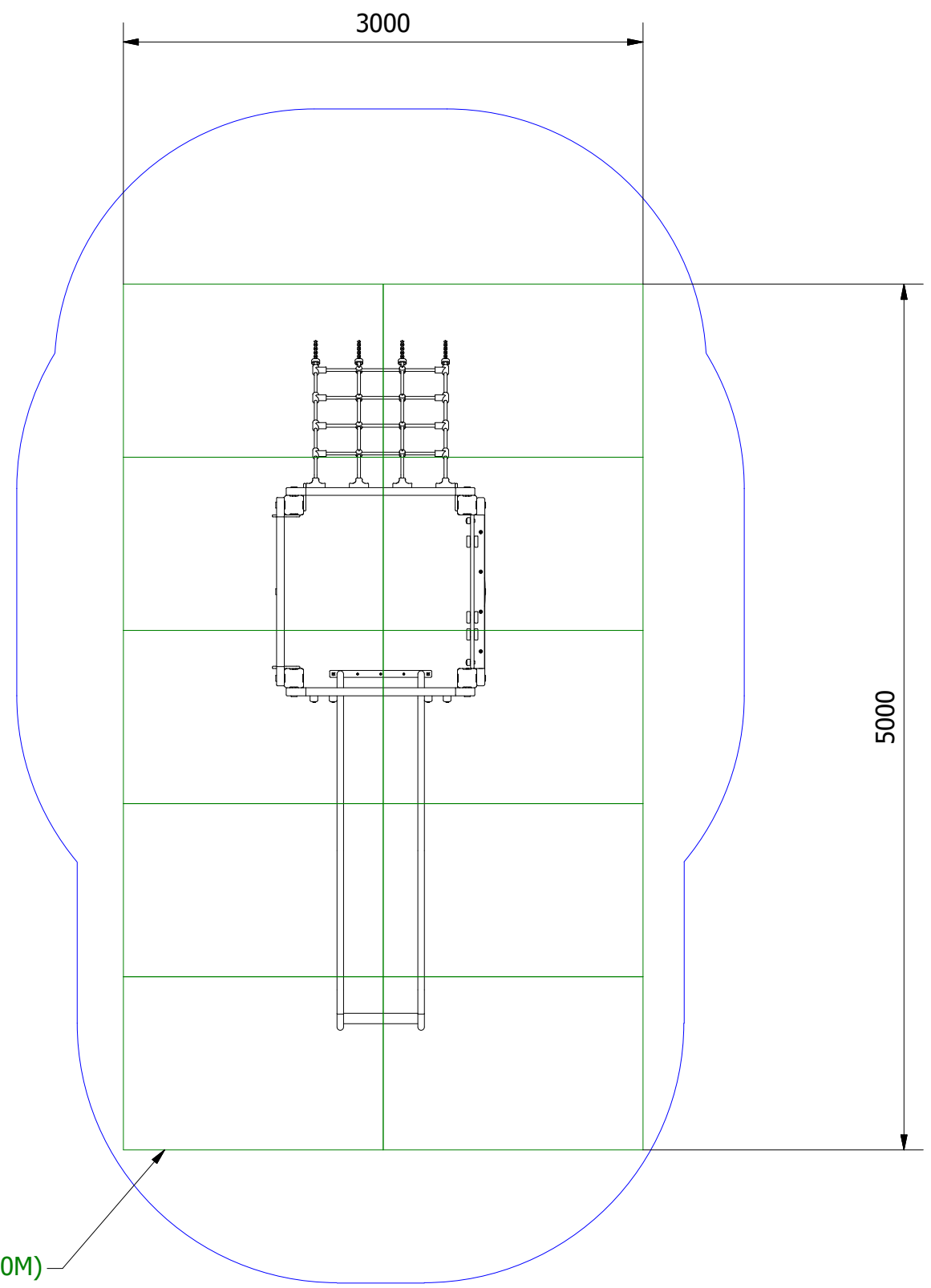
Tel: 01354 638359 www.onlineplaygrounds.co.uk



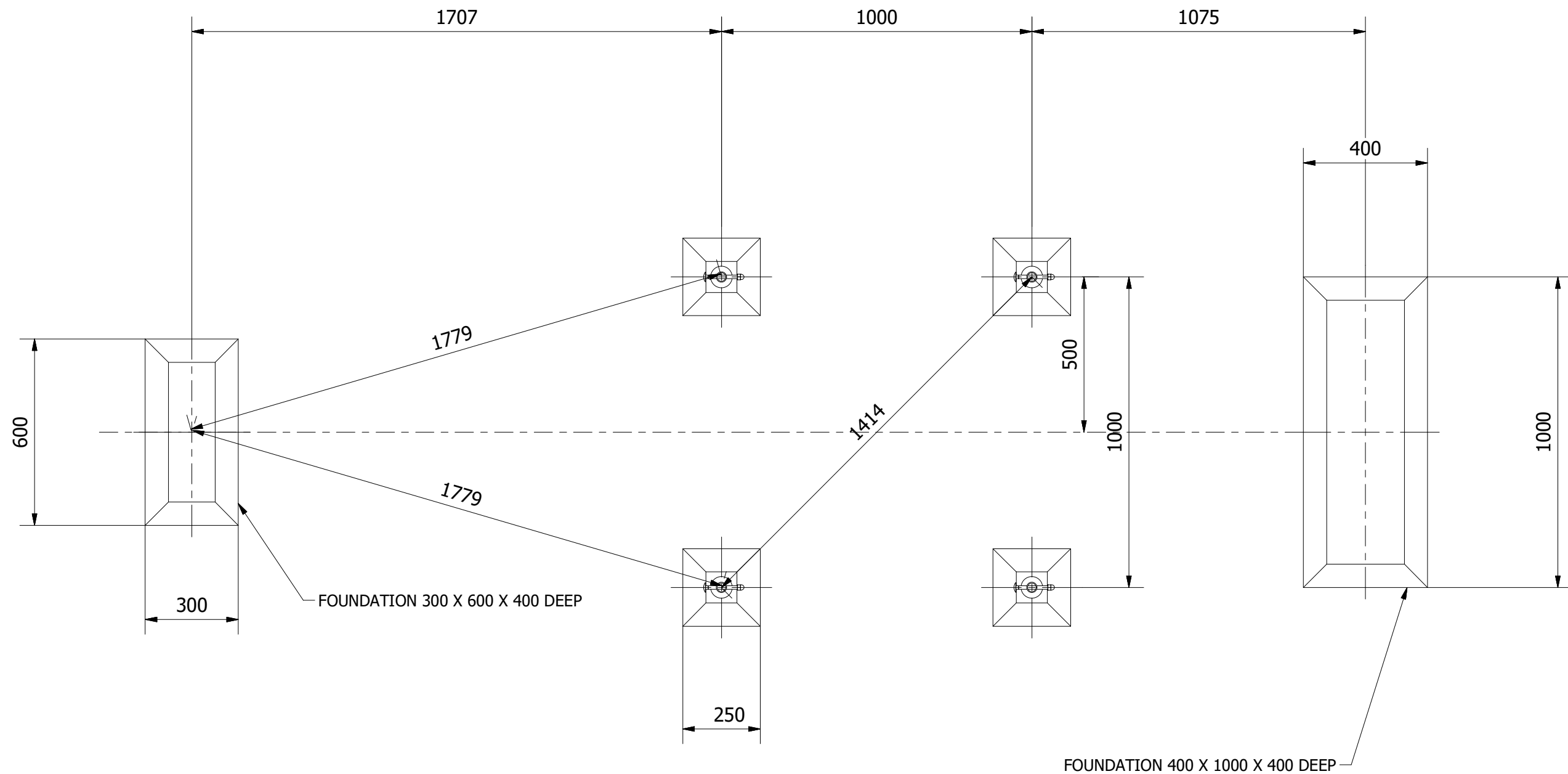
MIN SPACE

WETPOUR AREA = 22.7M<sup>2</sup>  
PERIMETER = 18.5 L/M

21 SAFAGRASS TILES (1.5M X 1.0M)



UNLESS OTHERWISE SPECIFIED: DIMENSIONS ARE IN MILLIMETERS TOLERANCES: LINEAR: ±2MM 1 DECIMAL PLACE: ±0.5MM ANGULAR: ±1°	<b>PROPRIETARY AND CONFIDENTIAL</b> THE INFORMATION CONTAINED IN THIS DRAWING IS THE SOLE PROPERTY OF FENLAND LEISURE PRODUCTS. ANY REPRODUCTION IN PART OR AS A WHOLE WITHOUT THE WRITTEN PERMISSION OF FENLAND LEISURE PRODUCTS IS PROHIBITED.	Title: <b>PRO-500-039 CHERRY ORCHARD</b>	
		Product Range: <b>MULTIPLAY TOWER</b>	
		Date: 29/05/2019	
		Page: A3	
		DO NOT SCALE FROM DRAWING	
		Tel: 01354 638359 www.onlineplaygrounds.co.uk	



ALL FOUNDATIONS 250 X 250 X 700 DEEP UNLESS OTHERWISE SPECIFIED

UNLESS OTHERWISE SPECIFIED:  
DIMENSIONS ARE IN MILLIMETERS  
TOLERANCES:  
LINEAR: ±2MM  
1 DECIMAL PLACE: ±0.5MM  
ANGULAR: ±1°

**PROPRIETARY AND CONFIDENTIAL**  
THE INFORMATION CONTAINED IN THIS  
DRAWING IS THE SOLE PROPERTY OF  
FENLAND LEISURE PRODUCTS. ANY  
REPRODUCTION IN PART OR AS A WHOLE  
WITHOUT THE WRITTEN PERMISSION  
OF FENLAND  
LEISURE PRODUCTS IS PROHIBITED.

Title: PRO-500-039 CHERRY ORCHARD

Product Range: MULTIPLAY TOWER

Date: 29/05/2019

Page: A3

DO NOT SCALE FROM DRAWING

Tel: 01354 638359 www.onlineplaygrounds.co.uk

