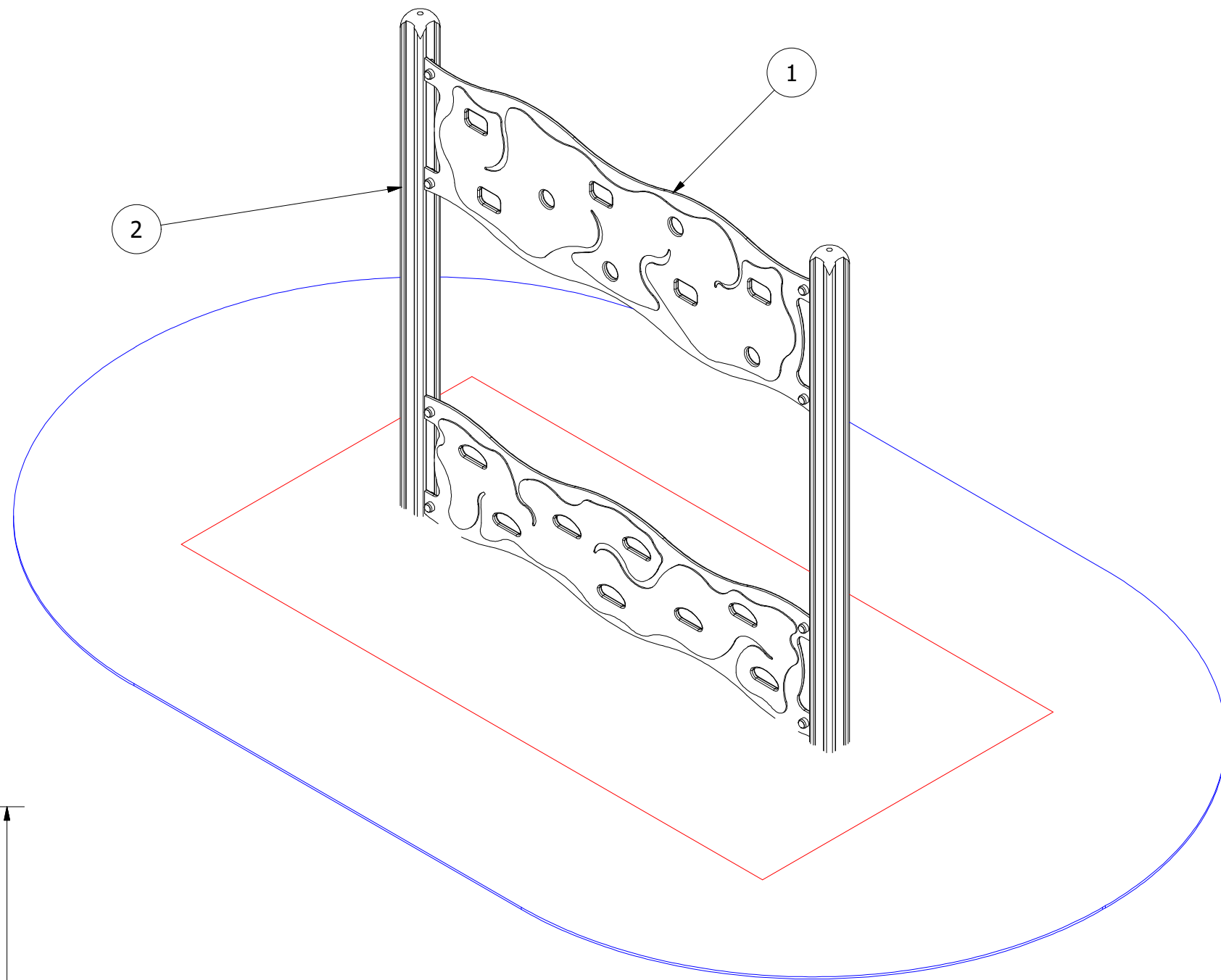
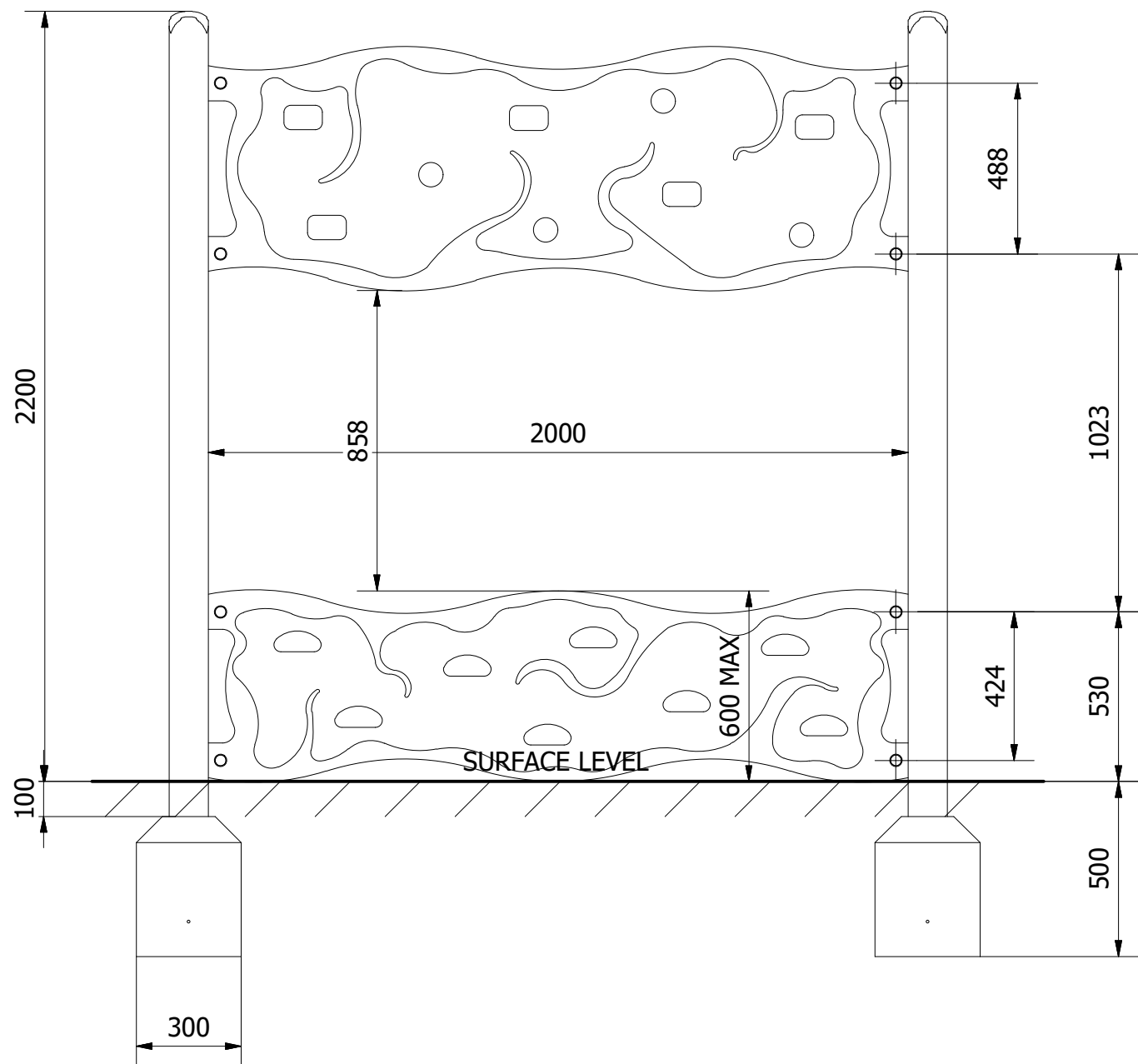


PARTS LIST

ITEM	QTY	PART NUMBER	DESCRIPTION
1	1	MOD-600-003 - FOREST TRAVERSE	FOREST TRAVERSE
2	2	TB-200-032	2700 x 112mm Safalog
3	2	300 x 300 x 400	0.036M ³ CONCRETE FOUNDATION
4	2	GROUND IRON	FOUNDATION GROUND IRON



UNLESS OTHERWISE SPECIFIED:
DIMENSIONS ARE IN MILLIMETERS
TOLERANCES:
LINEAR: ±2MM
1 DECIMAL PLACE: ±0.5MM
ANGULAR: ±1°

PROPRIETARY AND CONFIDENTIAL
THE INFORMATION CONTAINED IN THIS
DRAWING IS THE SOLE PROPERTY OF
FENLAND LEISURE PRODUCTS. ANY
REPRODUCTION IN PART OR AS A WHOLE
WITHOUT THE WRITTEN PERMISSION
OF FENLAND
LEISURE PRODUCTS IS PROHIBITED.

Title: MOD-600-106 - FOREST TRAVERSE

Product Range: ECO-TRAIL

<0.6M FFH

Date:
09/07/2020

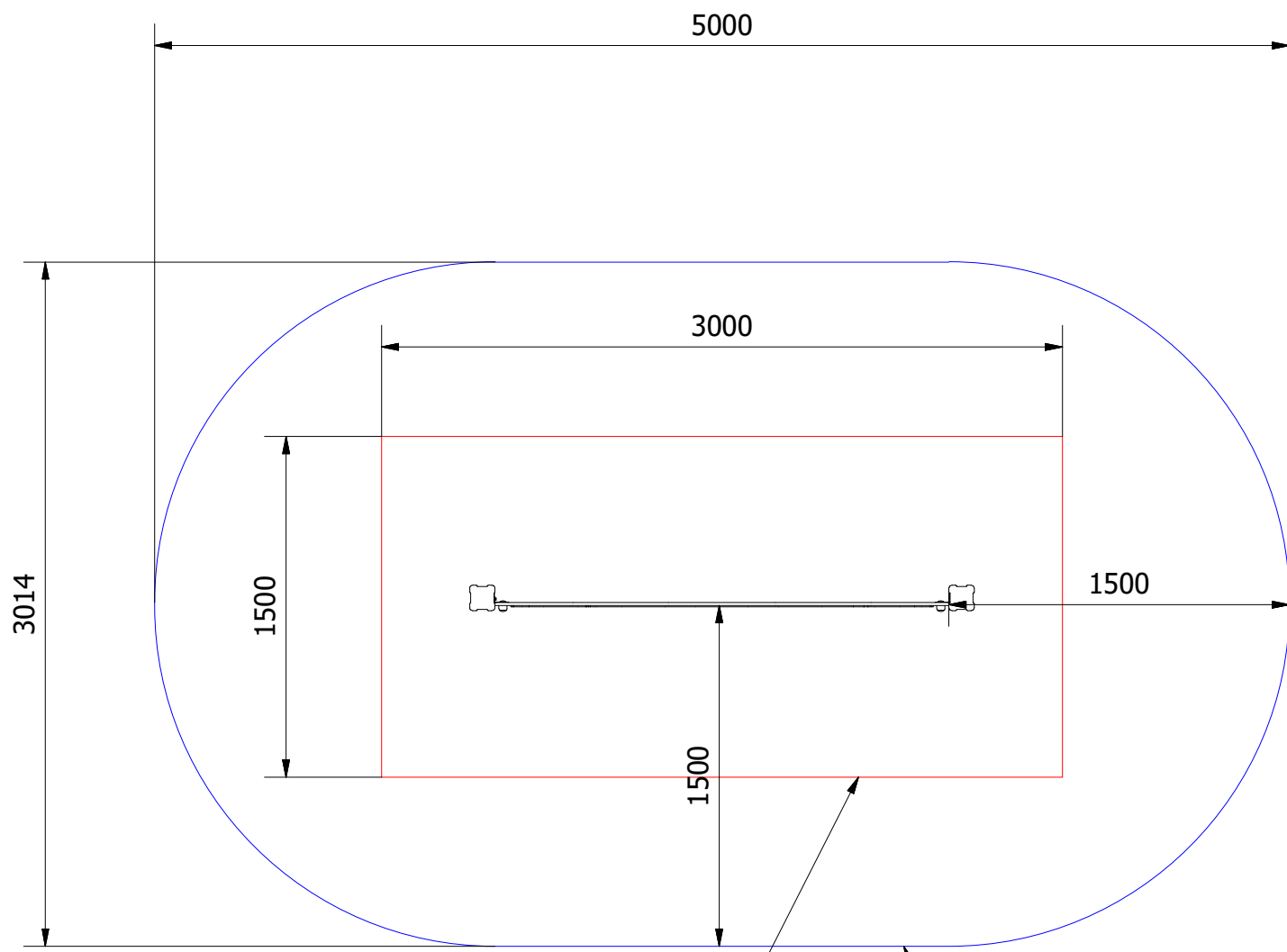
Page:

A3

DO NOT SCALE FROM DRAWING

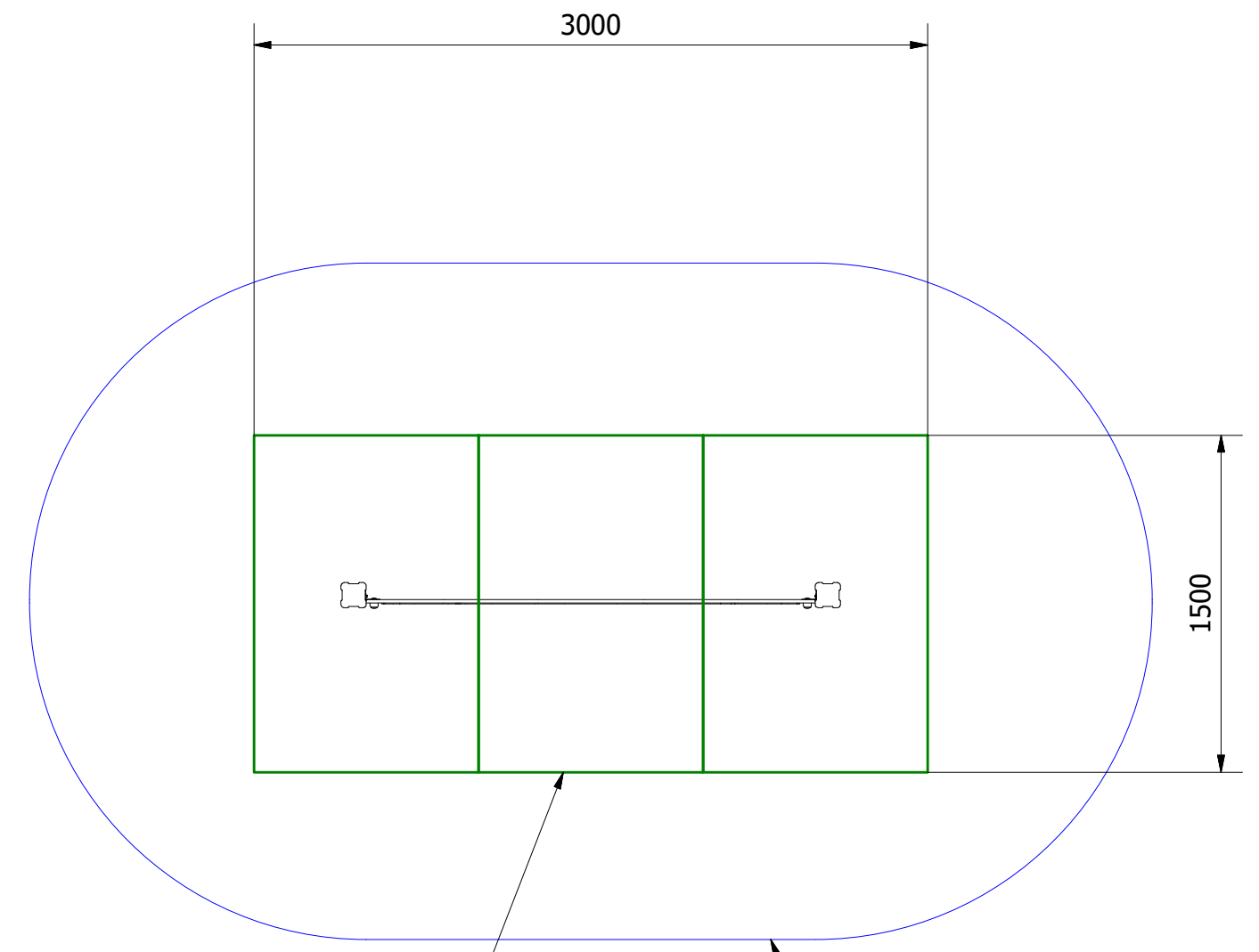
Tel: 01354 638359 www.onlineplaygrounds.co.uk






WETPOUR AREA = 4.5M²
PERIMETER = 9 L/M

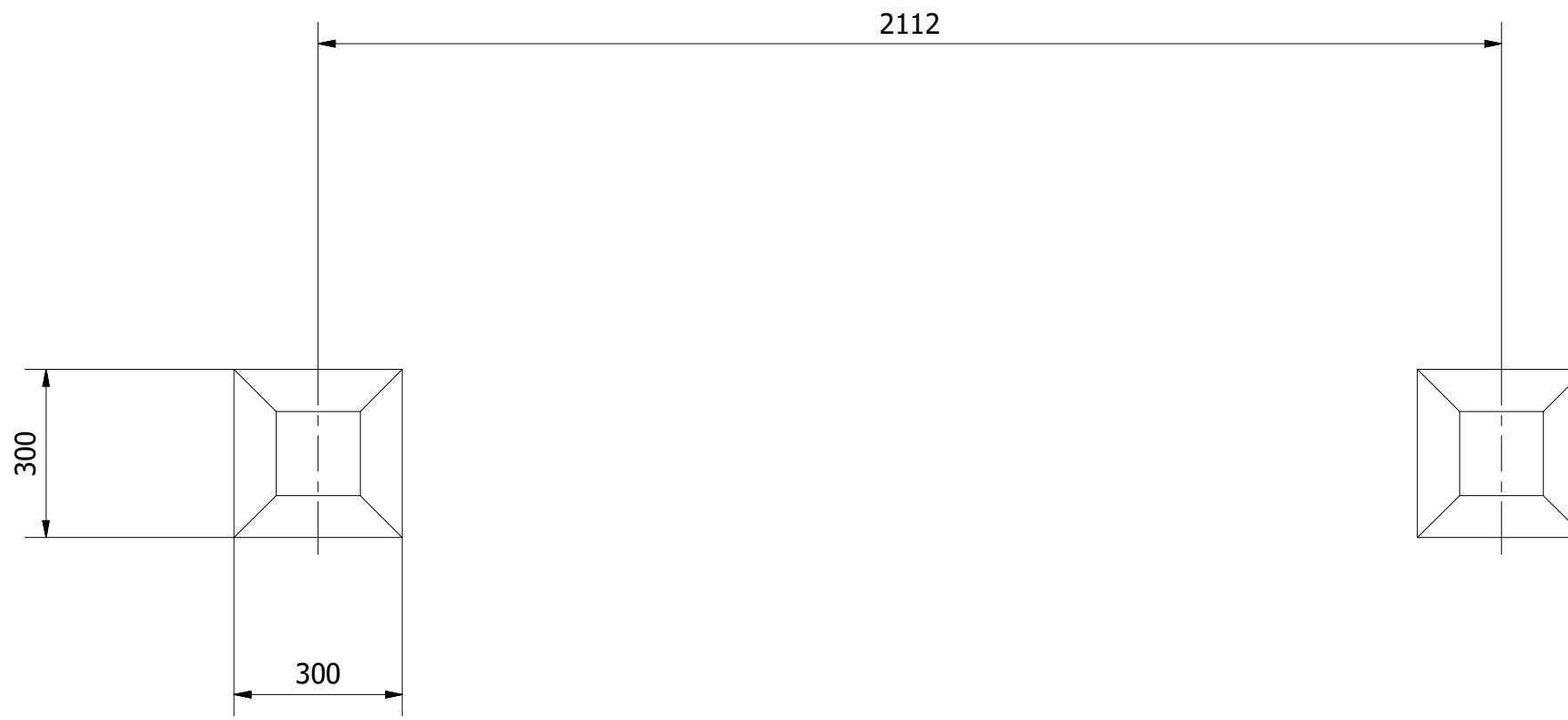
MIN SPACE



3 SAFAGRASS TILES
(1.5M X 1.0M)

MIN SPACE

UNLESS OTHERWISE SPECIFIED: DIMENSIONS ARE IN MILLIMETERS TOLERANCES: LINEAR: ±2MM 1 DECIMAL PLACE: ±0.5MM ANGULAR: ±1°	PROPRIETARY AND CONFIDENTIAL THE INFORMATION CONTAINED IN THIS DRAWING IS THE SOLE PROPERTY OF FENLAND LEISURE PRODUCTS. ANY REPRODUCTION IN PART OR AS A WHOLE WITHOUT THE WRITTEN PERMISSION OF FENLAND LEISURE PRODUCTS IS PROHIBITED.	Title: MOD-600-106 - FOREST TRAVERSE	
		Product Range: ECO-TRAIL	
		Date: 09/07/2020	
		Page: A3	
		DO NOT SCALE FROM DRAWING	
Tel: 01354 638359 www.onlineplaygrounds.co.uk			

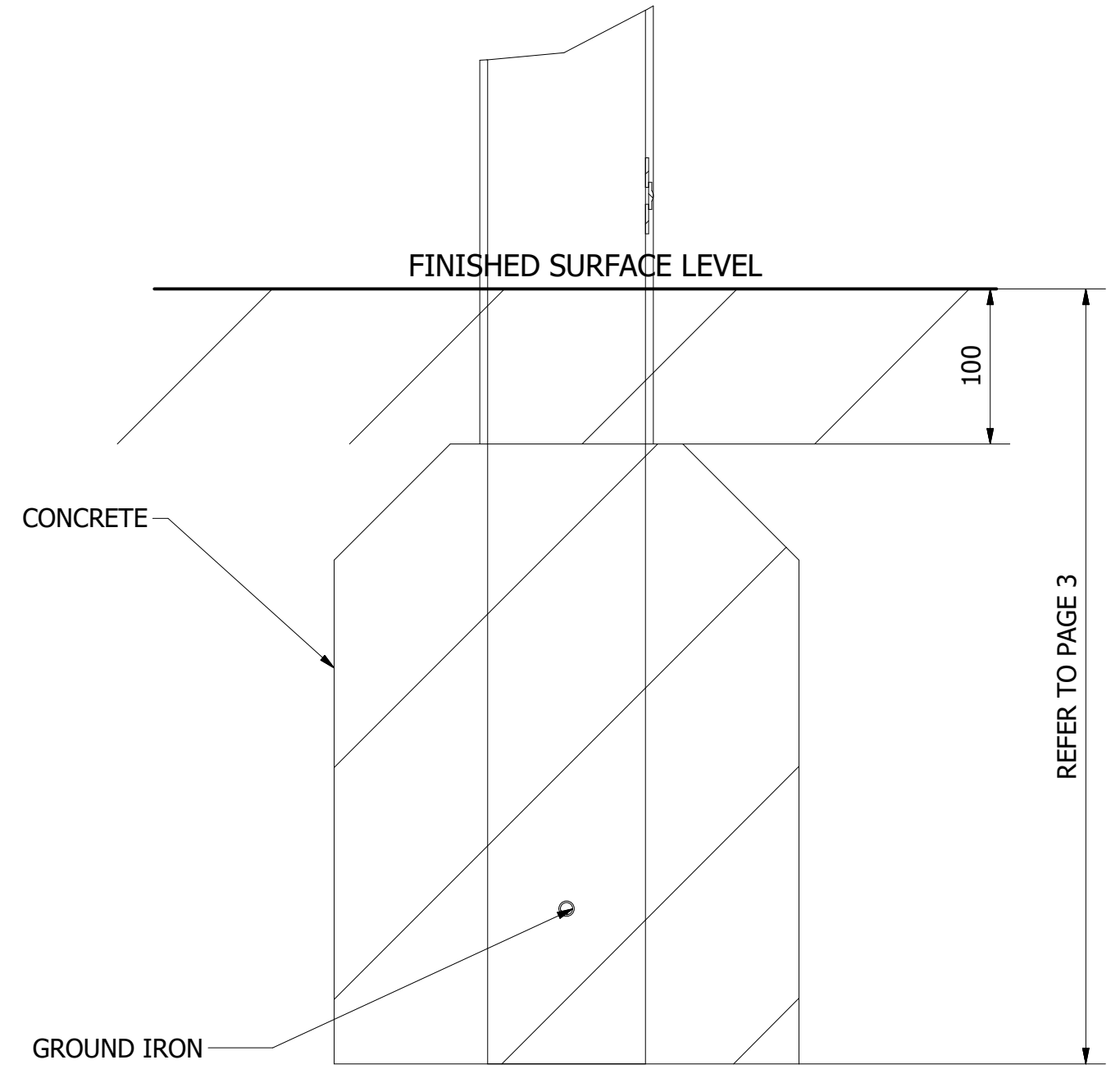
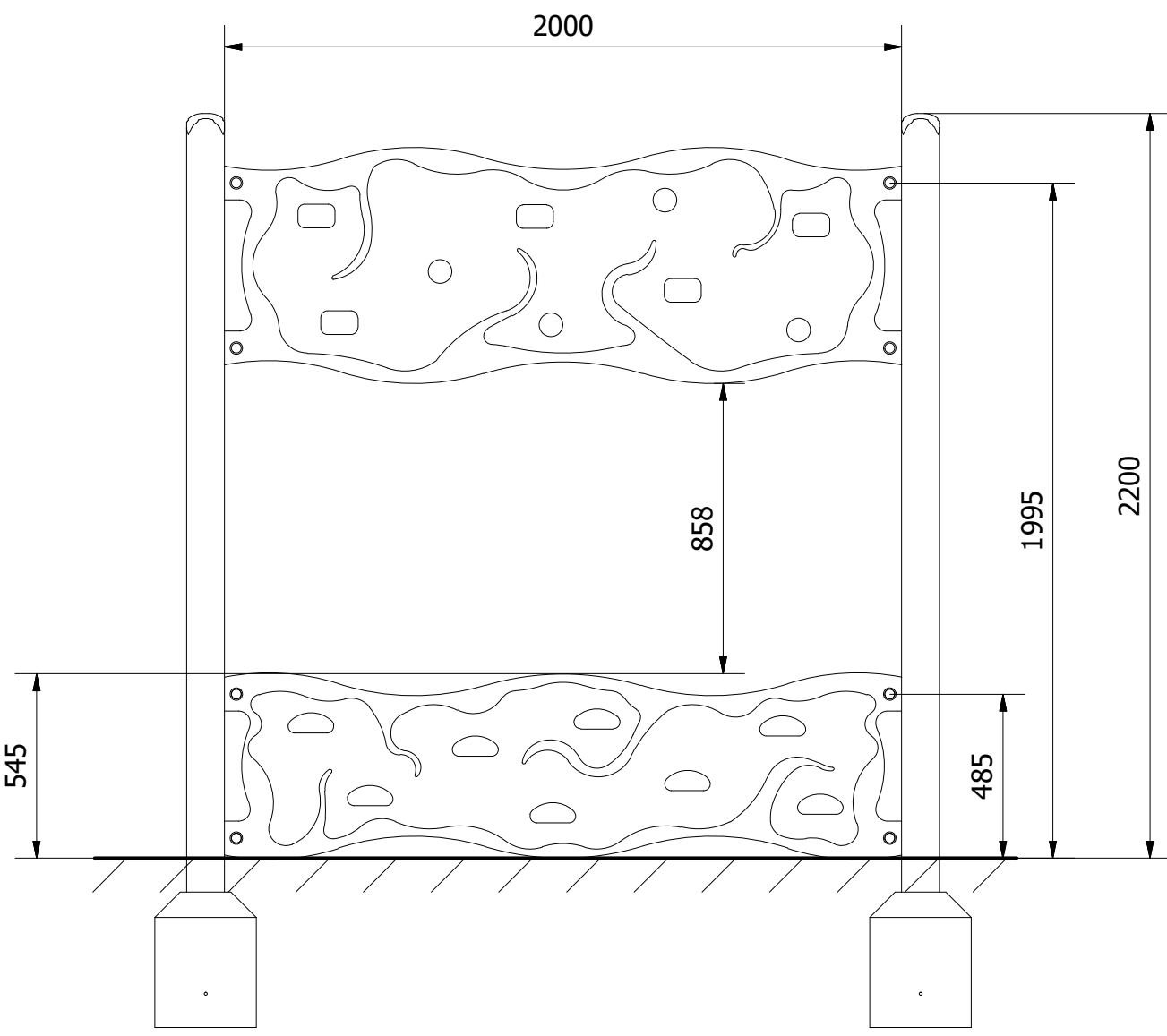
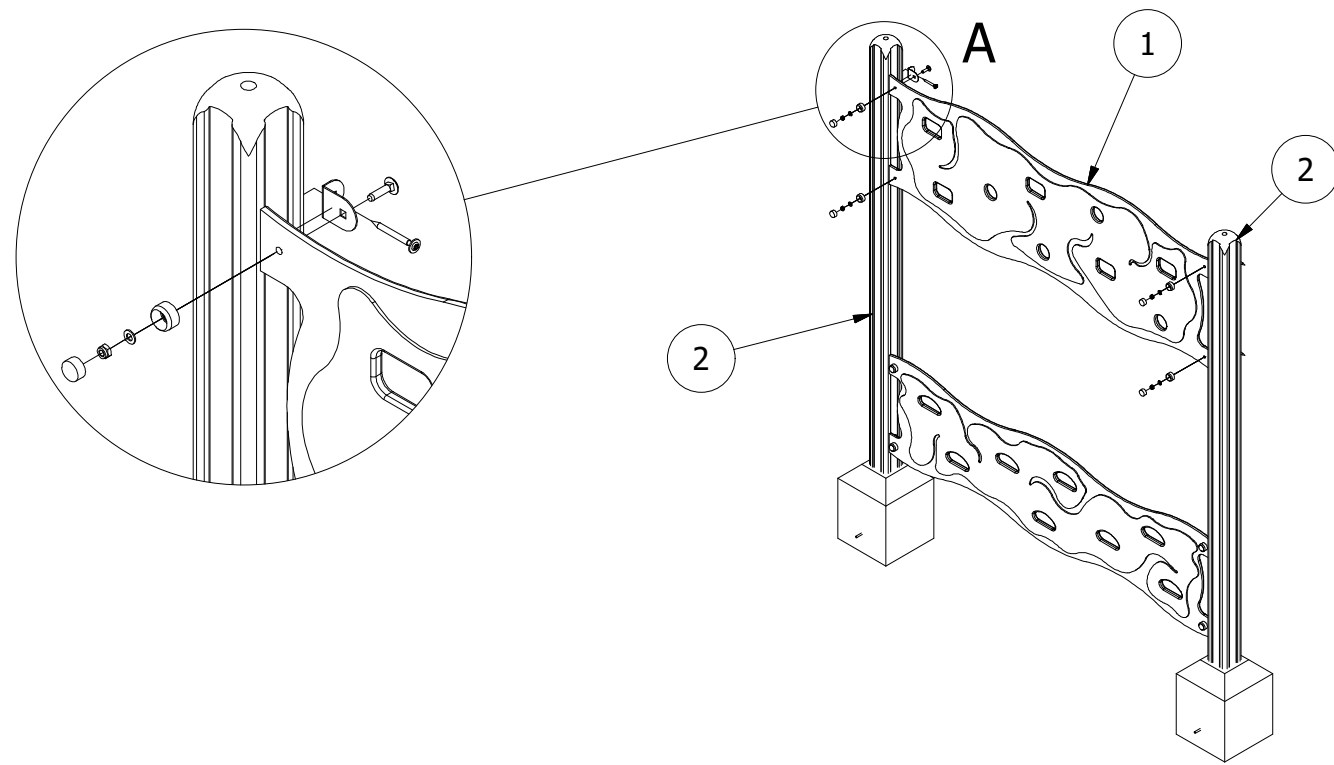



ALL FOUNDATIONS 300 X 300 X 500 DEEP UNLESS OTHERWISE SPECIFIED

UNLESS OTHERWISE SPECIFIED: DIMENSIONS ARE IN MILLIMETERS TOLERANCES: LINEAR: ±2MM 1 DECIMAL PLACE: ±0.5MM ANGULAR: ±1°	PROPRIETARY AND CONFIDENTIAL THE INFORMATION CONTAINED IN THIS DRAWING IS THE SOLE PROPERTY OF FENLAND LEISURE PRODUCTS. ANY REPRODUCTION IN PART OR AS A WHOLE WITHOUT THE WRITTEN PERMISSION OF FENLAND LEISURE PRODUCTS IS PROHIBITED.	Title: MOD-600-106 - FOREST TRAVERSE	
		Product Range: ECO-TRAIL	
		Date: 09/07/2020	
		Page: A3	
		DO NOT SCALE FROM DRAWING Tel: 01354 638359 www.onlineplaygrounds.co.uk	

1. AS SHOWN BELOW, POSITION THE UPRIGHT POSTS INTO THE FOUNDATION HOLES. SECURE THE HDPE PANELS TO THE UPRIGHT POSTS USING THE SUPPLIED FIXINGS.

2. FINALLY, ENSURE THE UNIT IS LEVEL AND PLUMB. ALL FIXINGS HAVE BEEN TIGHTENED AND PROTECTIVE CAPS IN PLACE. ADD CONCRETE TO EACH FOUNDATION HOLE AND LEAVE FOR 48 HOURS.



UNLESS OTHERWISE SPECIFIED: DIMENSIONS ARE IN MILLIMETERS TOLERANCES: LINEAR: ±2MM 1 DECIMAL PLACE: ±0.5MM ANGULAR: ±1°	PROPRIETARY AND CONFIDENTIAL THE INFORMATION CONTAINED IN THIS DRAWING IS THE SOLE PROPERTY OF FENLAND LEISURE PRODUCTS. ANY REPRODUCTION IN PART OR AS A WHOLE WITHOUT THE WRITTEN PERMISSION OF FENLAND LEISURE PRODUCTS IS PROHIBITED.	Title: MOD-600-106 - FOREST TRAVERSE	
		Product Range: ECO TRAIL	
		Date: 09/07/2020	
		Page: A3	
		DO NOT SCALE FROM DRAWING	
Tel: 01354 638359 www.onlineplaygrounds.co.uk			