

**Burma Bridge :** MOD-600-023

**Description :** A Burma Bridge designed and manufactured in house using our Safalog laminated timber.

**Surfacing Requirements :** Perimeter L/M:13 Wetpour/ Fibrefall M<sup>2</sup>: 9 , Safagrass Mats M<sup>2</sup>: 9

**Recommended User Age :** 3+

**Critical Fall Height :** <600mm

**Dimensions of Largest Part :** 1900x112x112mm

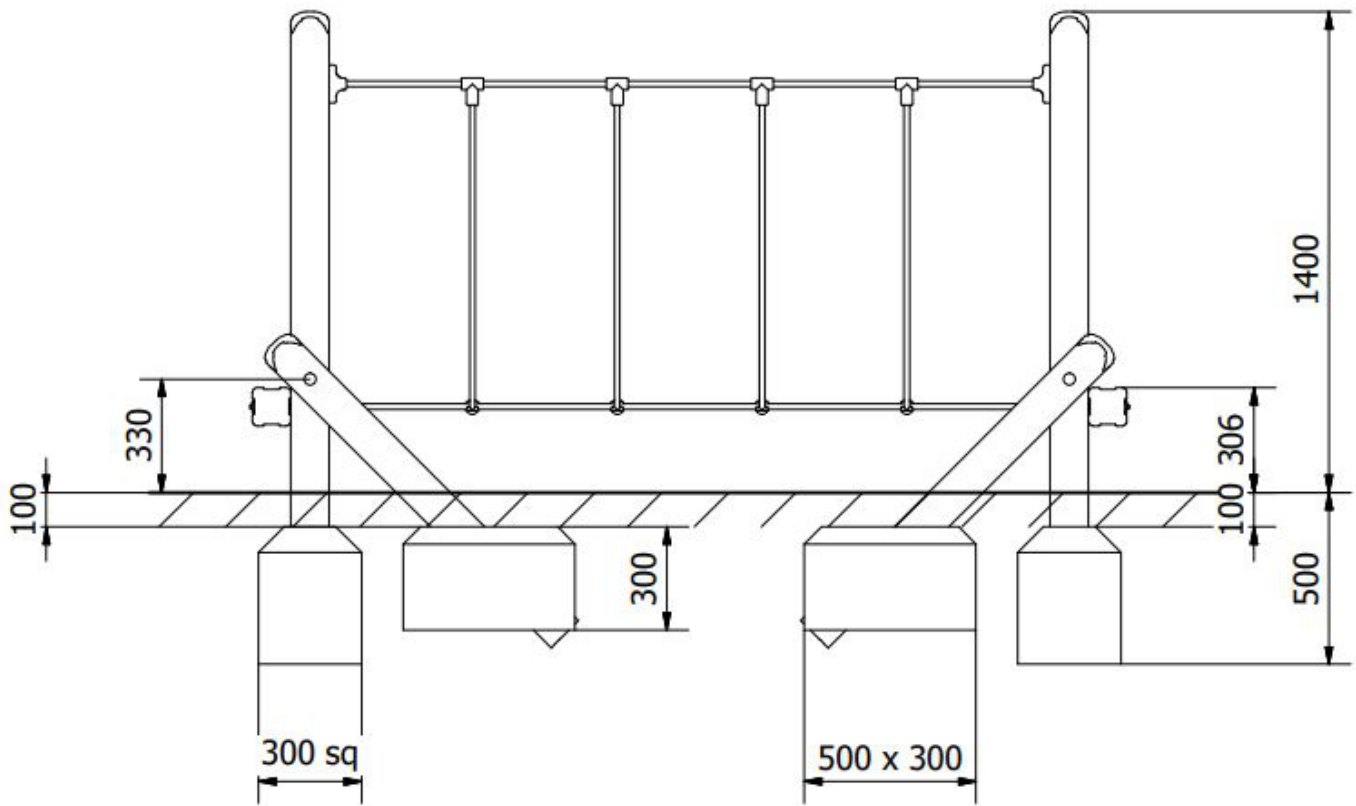
**Weight of Heaviest Part :** Approx 13kg

This product complies to : BS EN 1176-1\_2017

This product is for outdoor use only and must not be installed indoors. Children using the equipment must be supervised at all times. For spare parts and other inquires please contact us using the contact information below.

Additional information about this product and all the other products we offer can be found on our website [www.onlineplaygrounds.co.uk](http://www.onlineplaygrounds.co.uk)





Side Elevation