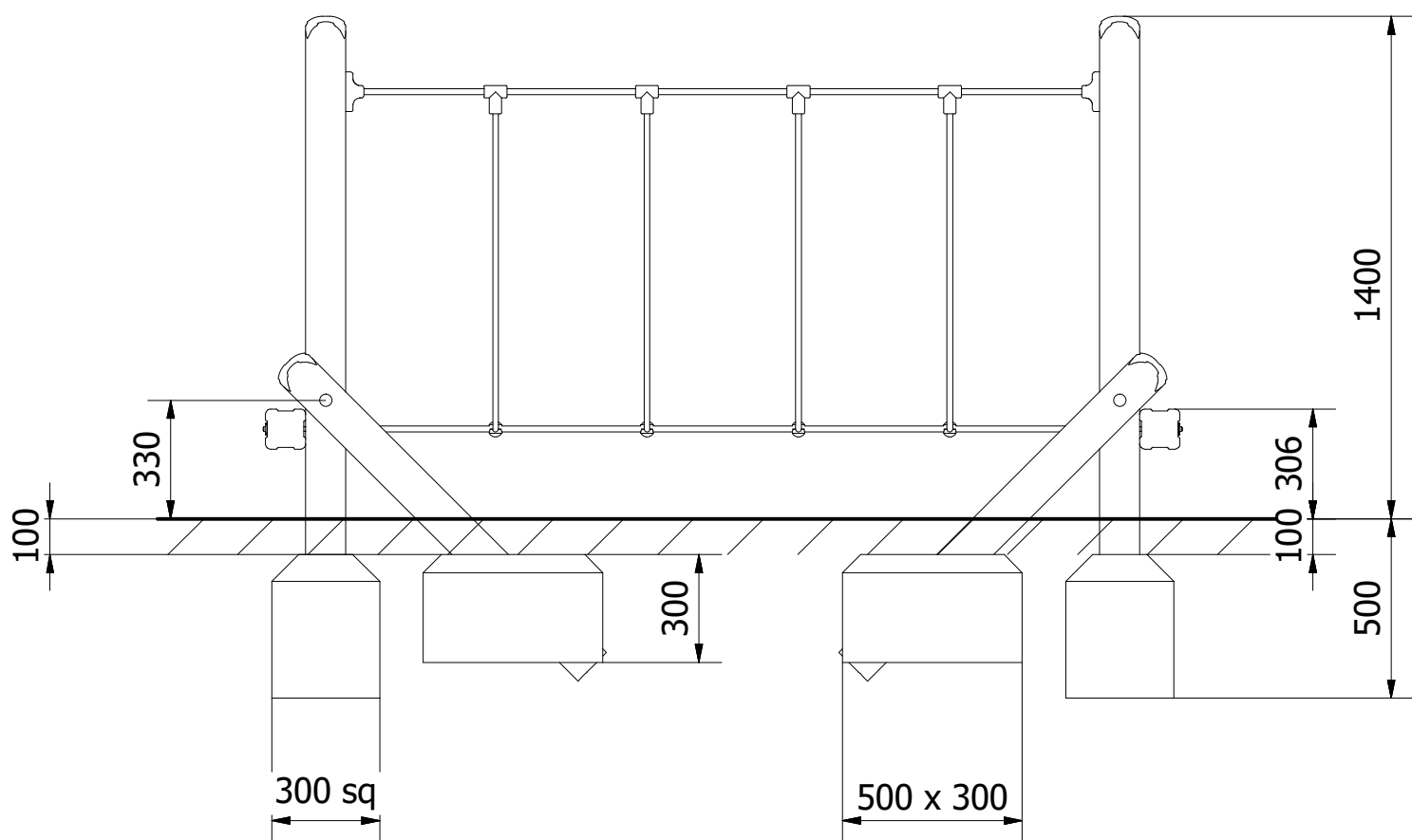
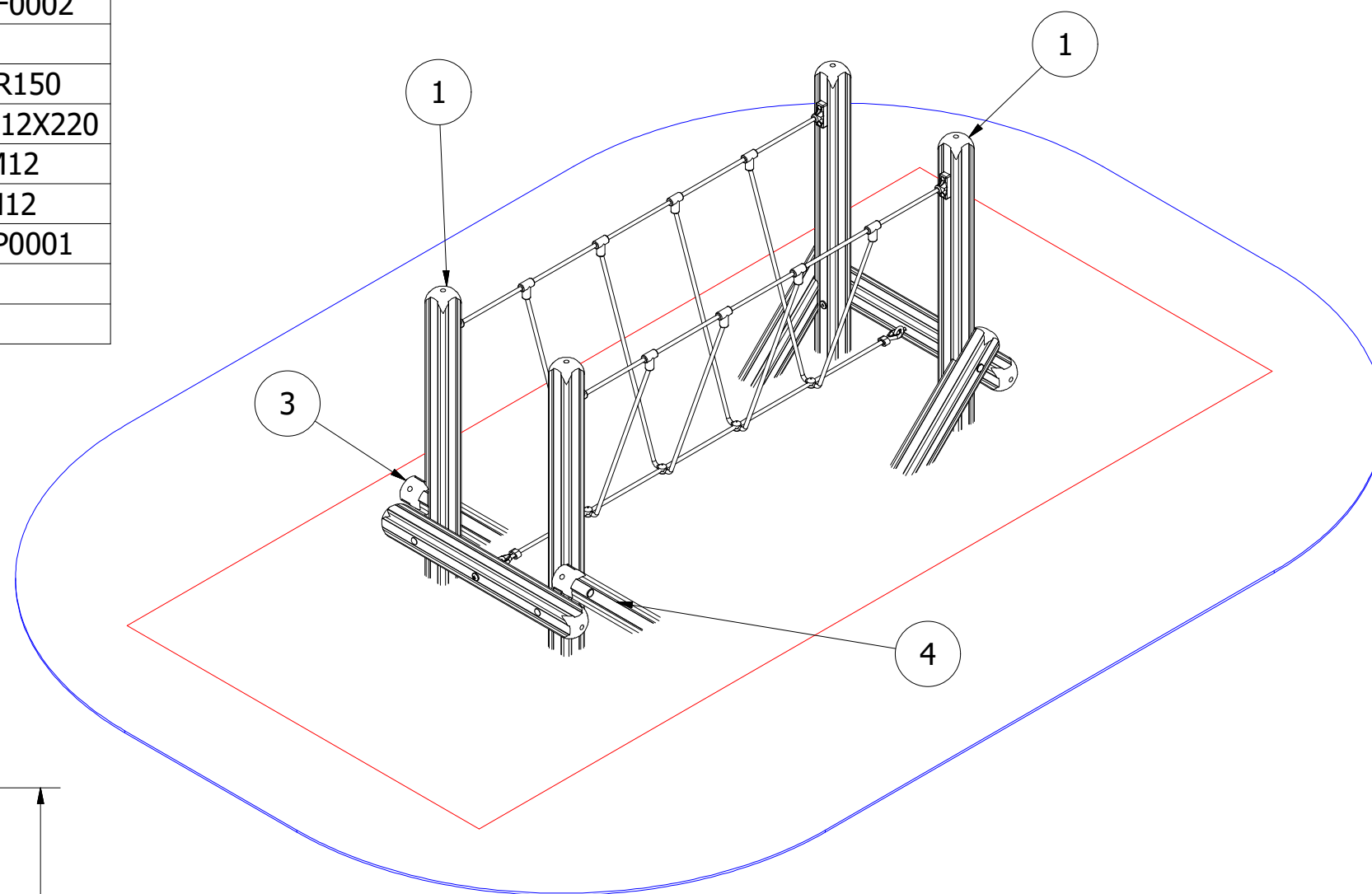


PARTS LIST

ITEM	QTY	PART NUMBER	DESCRIPTION	STOCK NUMBER
1	4	TB-200-006	1900 x 112mm Safalog	COMTIMSAF0002
2	2	TB-200-007	1100 x 112mm Safalog	COMTIMSAF0002
3	2	TB-200-008	1200 x 112mm Safalog	COMTIMSAF0002
4	2	TB-200-009	1200 x 112mm Safalog	COMTIMSAF0002
5	1	RS-100-003	BURMA BRIDGE ROPE	
6	4	M12 X 150 COACH SCREW	M12 X 150 COACH SCREW	COMSTASCR150
7	4	M12 X 220 COACH BOLT	M12 X 220 (DIN 603)	COMA2CBM12X220
8	10	M12 WASHER	M12 WASHER (DIN 125)	COMA2FWM12
9	6	M12 NYLOC NUT	M12 NYLOC NUT (DIN 985)	COMA2NNM12
10	10	30MM BOLT COVER	30MM BLACK CAP	COMPLACAP0001
11	4	300 x 300 x 400	0.036M ³ CONCRETE FOUNDATION	
12	4	300 x 500 x 300	0.045M ³ CONCRETE FOUNDATION	



UNLESS OTHERWISE SPECIFIED:
DIMENSIONS ARE IN MILLIMETERS
TOLERANCES:
LINEAR: ±2MM
1 DECIMAL PLACE: ±0.5MM
ANGULAR: ±1°

PROPRIETARY AND CONFIDENTIAL
THE INFORMATION CONTAINED IN THIS
DRAWING IS THE SOLE PROPERTY OF
FENLAND LEISURE PRODUCTS. ANY
REPRODUCTION IN PART OR AS A WHOLE
WITHOUT THE WRITTEN PERMISSION
OF FENLAND
LEISURE PRODUCTS IS PROHIBITED.

Title: **MOD-600-023 - BURMA BRIDGE**

Product Range: **ECO TRAIL**

REV:B

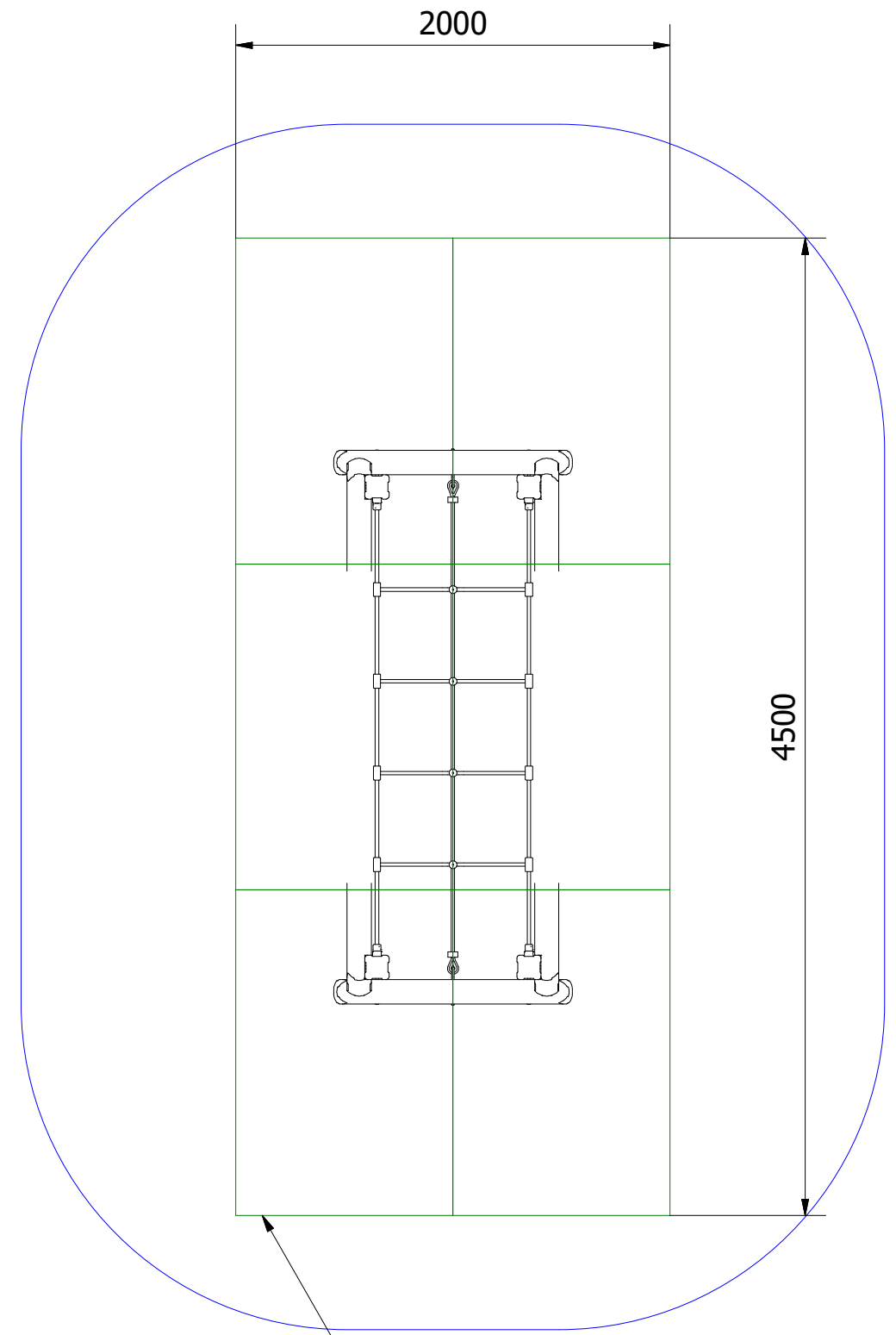
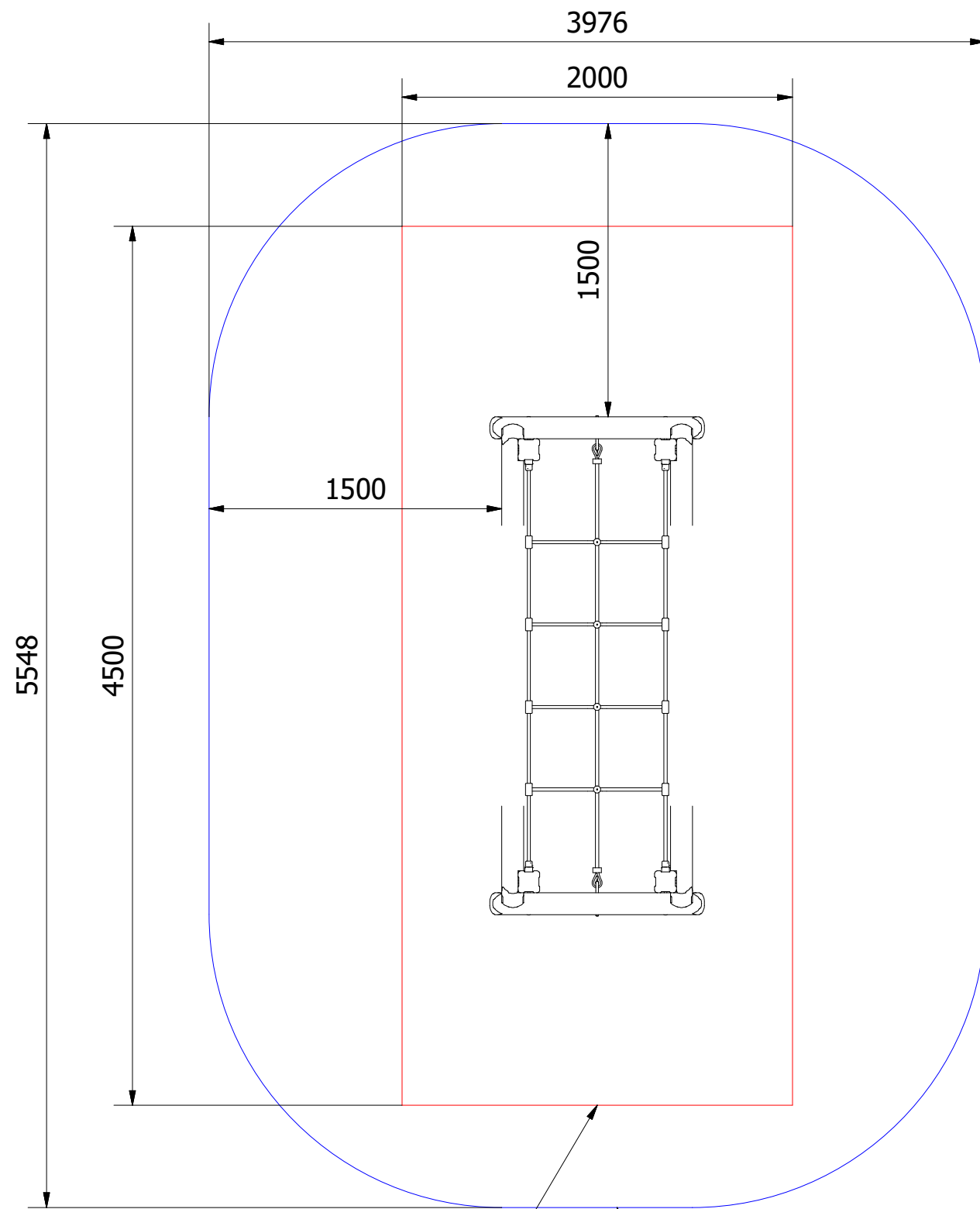
Date:
31/01/2020

Page:
A3



DO NOT SCALE FROM DRAWING

Tel: 01354 638359 www.onlineplaygrounds.co.uk



WETPOUR AREA = 9.0M²
PERIMETER = 13 L/M

MIN SPACE

6 SAFAGRASS TILES (1.5M X 1.0M)

UNLESS OTHERWISE SPECIFIED:
DIMENSIONS ARE IN MILLIMETERS
TOLERANCES:
LINEAR: ±2MM
1 DECIMAL PLACE: ±0.5MM
ANGULAR: ±1°

PROPRIETARY AND CONFIDENTIAL
THE INFORMATION CONTAINED IN THIS
DRAWING IS THE SOLE PROPERTY OF
FENLAND LEISURE PRODUCTS. ANY
REPRODUCTION IN PART OR AS A WHOLE
WITHOUT THE WRITTEN PERMISSION
OF FENLAND
LEISURE PRODUCTS IS PROHIBITED.

Title: MOD-600-023 - BURMA BRIDGE

Product Range: ECO TRAIL

Date:
31/01/2020

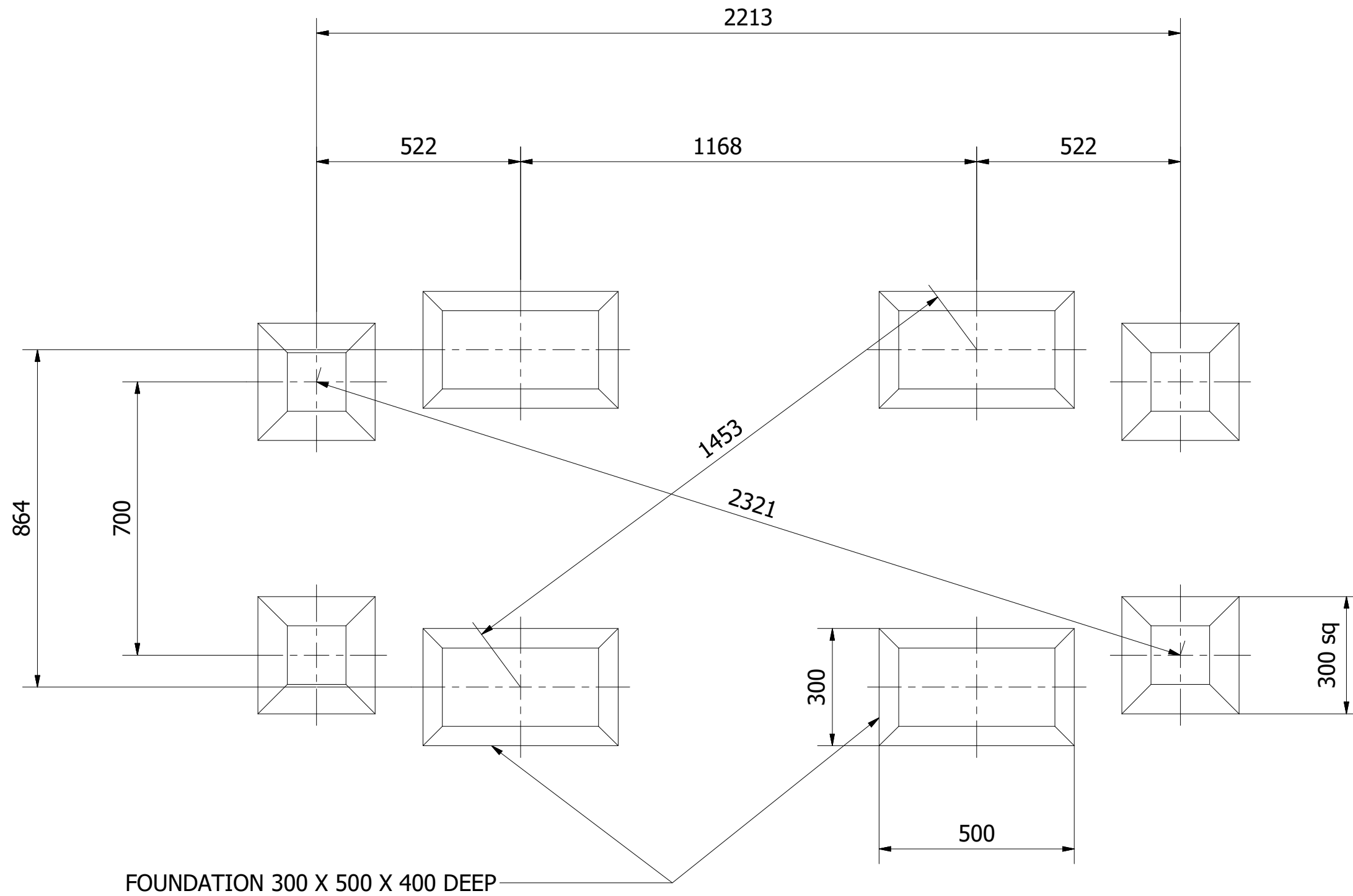
Page:

A3



DO NOT SCALE FROM DRAWING

Tel: 01354 638359 www.onlineplaygrounds.co.uk



FOUNDATION 300 X 500 X 400 DEEP

UNLESS OTHERWISE SPECIFIED:
DIMENSIONS ARE IN MILLIMETERS
TOLERANCES:
LINEAR: ±2MM
1 DECIMAL PLACE: ±0.5MM
ANGULAR: ±1°

PROPRIETARY AND CONFIDENTIAL
THE INFORMATION CONTAINED IN THIS
DRAWING IS THE SOLE PROPERTY OF
FENLAND LEISURE PRODUCTS. ANY
REPRODUCTION IN PART OR AS A WHOLE
WITHOUT THE WRITTEN PERMISSION
OF FENLAND
LEISURE PRODUCTS IS PROHIBITED.

Title: **MOD-600-023 - BURMA BRIDGE**

Product Range: **ECO TRAIL**

Date:
31/01/2020

Page:
A3

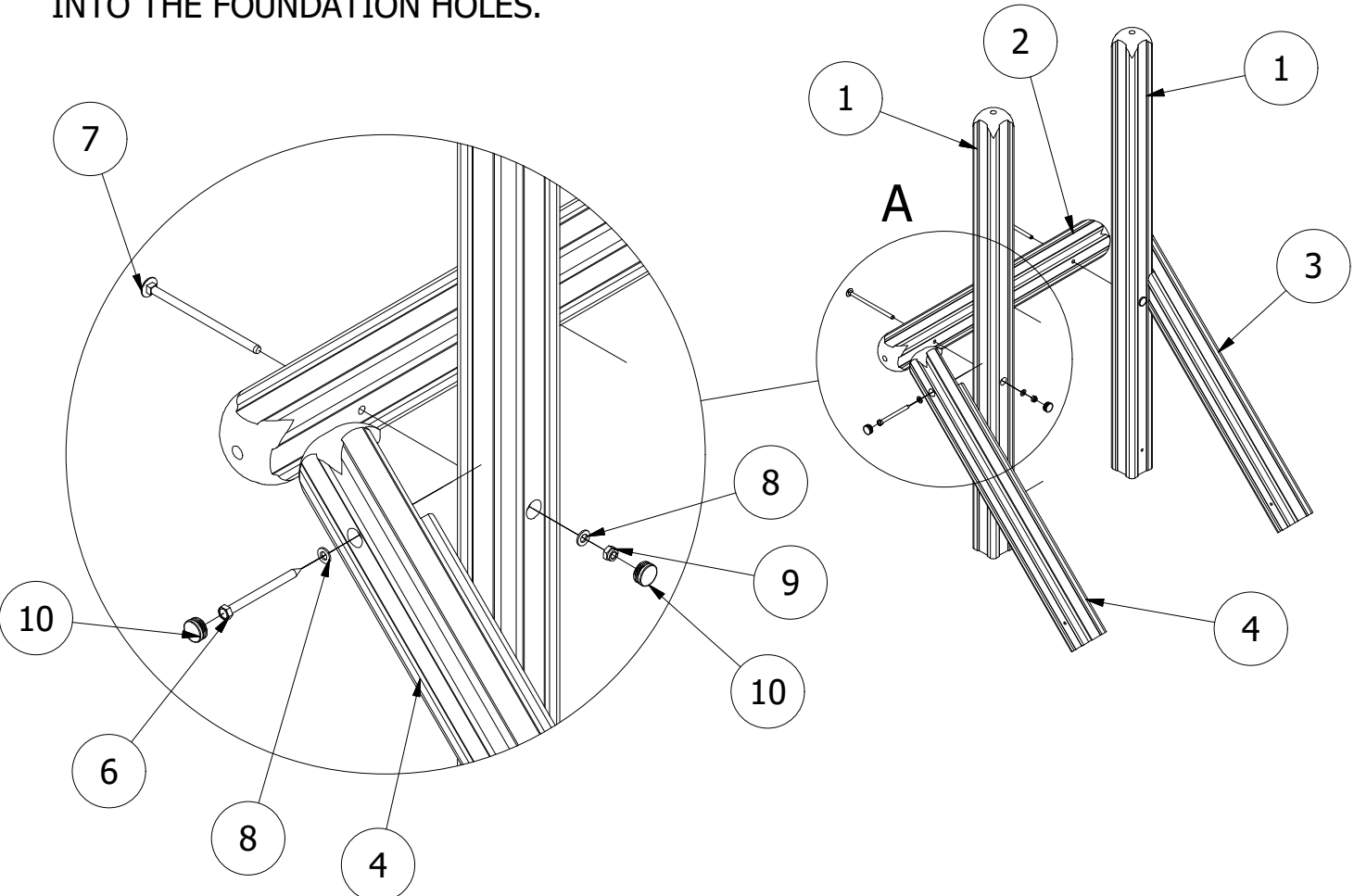
DO NOT SCALE FROM DRAWING

Tel: 01354 638359 www.onlineplaygrounds.co.uk

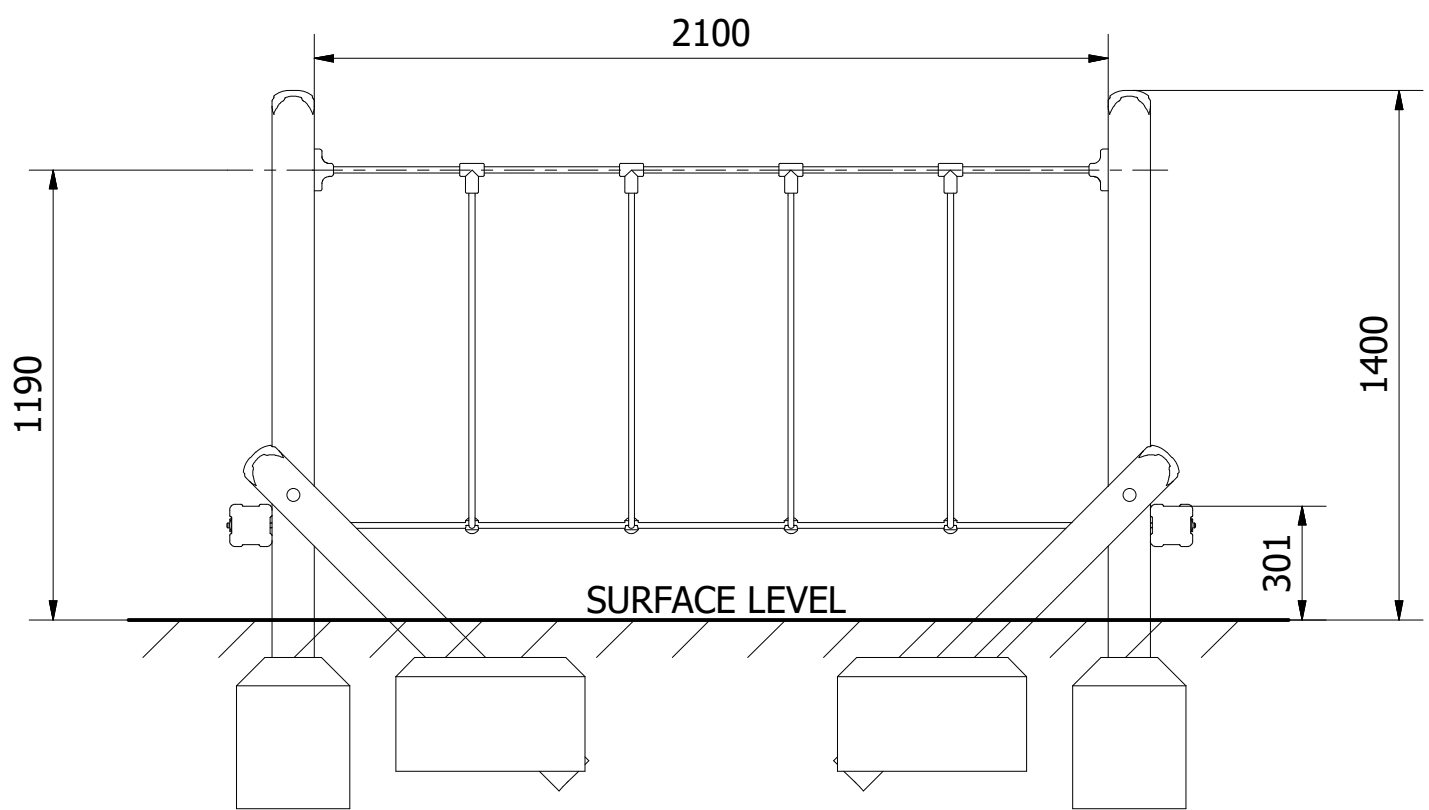


ALL FOUNDATIONS 300 X 300 X 500 DEEP UNLESS OTHERWISE SPECIFIED

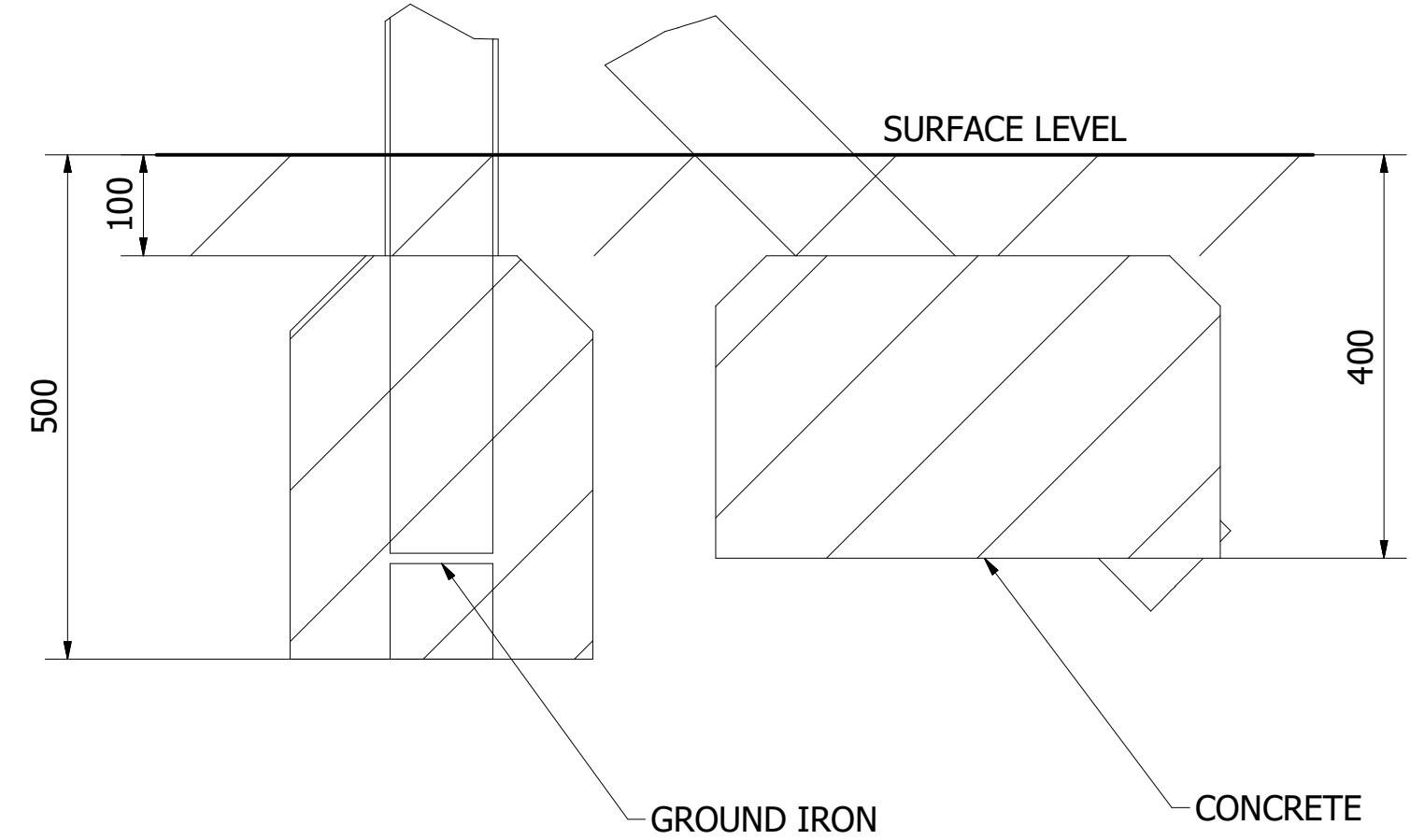
1. POSITION EACH UPRIGHT POST INTO THE FOUNDATIONS HOLES. AS SHOWN BELOW, CONNECT THE FRAME ITEMS TO THE UPRIGHT POSTS POSITIONING ALL LEGS INTO THE FOUNDATION HOLES.




2. BEFORE CONCRETE IS ADDED TO THE FOUNDATION HOLES, HANG THE ROPE AND ENSURE IT IS TAUT. BRACE THE UNIT AND PREPARE FOR CONCRETE.



2. FINALLY, ENSURE UNIT IS LEVEL AND PLUMB, ALL FIXINGS HAVE BEEN TIGHTENED AND PROTECTIVE CAPS IN PLACE. ADD CONCRETE TO EACH FOUNDATION HOLE AND LEAVE FOR 48 HOURS



UNLESS OTHERWISE SPECIFIED: DIMENSIONS ARE IN MILLIMETERS TOLERANCES: LINEAR: ±2MM 1 DECIMAL PLACE: ±0.5MM ANGULAR: ±1°	PROPRIETARY AND CONFIDENTIAL THE INFORMATION CONTAINED IN THIS DRAWING IS THE SOLE PROPERTY OF FENLAND LEISURE PRODUCTS. ANY REPRODUCTION IN PART OR AS A WHOLE WITHOUT THE WRITTEN PERMISSION OF FENLAND LEISURE PRODUCTS IS PROHIBITED.	Title: MOD-600-023 - BURMA BRIDGE	
		Product Range: ECO TRAIL	
		Date: 31/01/2020	
		Page: A3	
DO NOT SCALE FROM DRAWING		Tel: 01354 638359 www.onlineplaygrounds.co.uk	