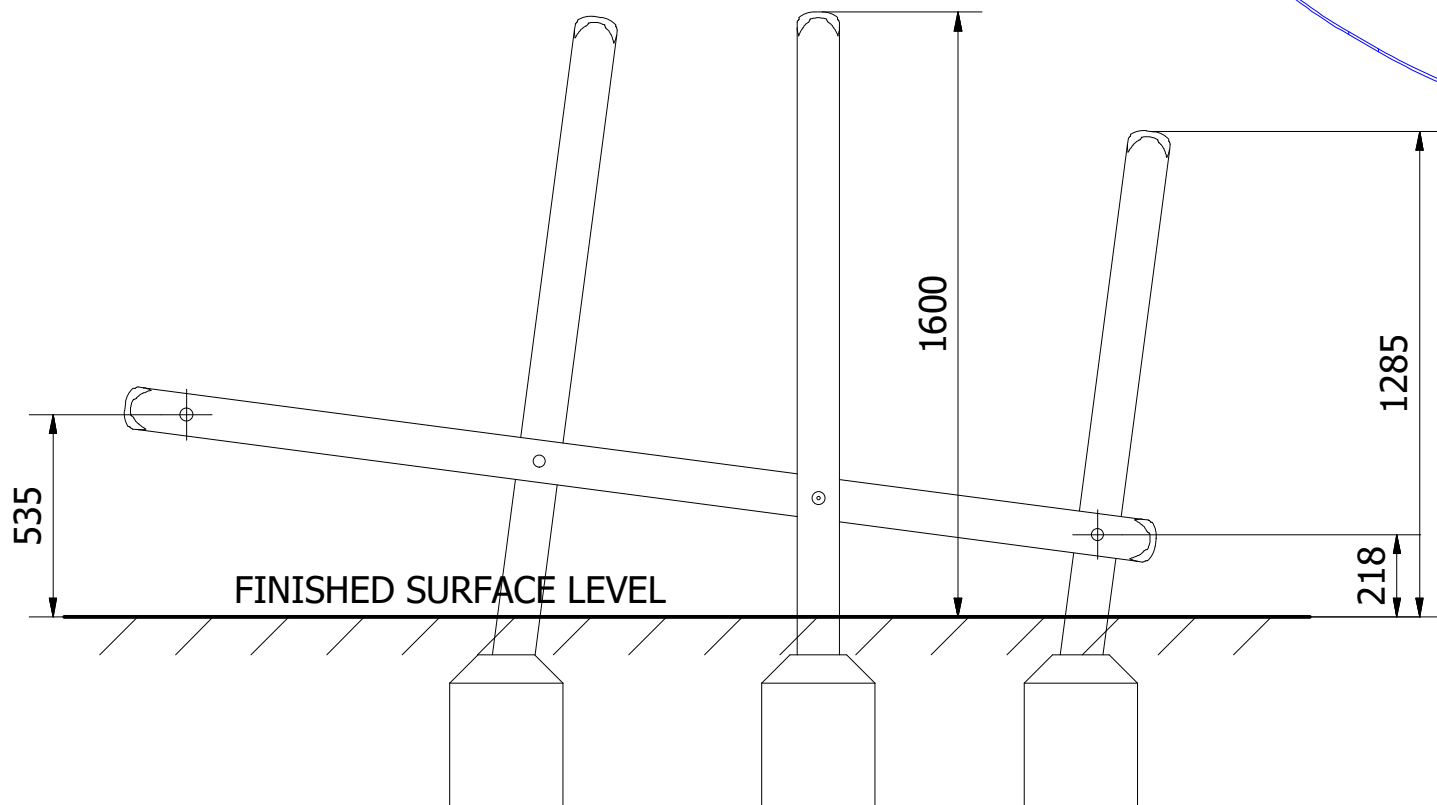
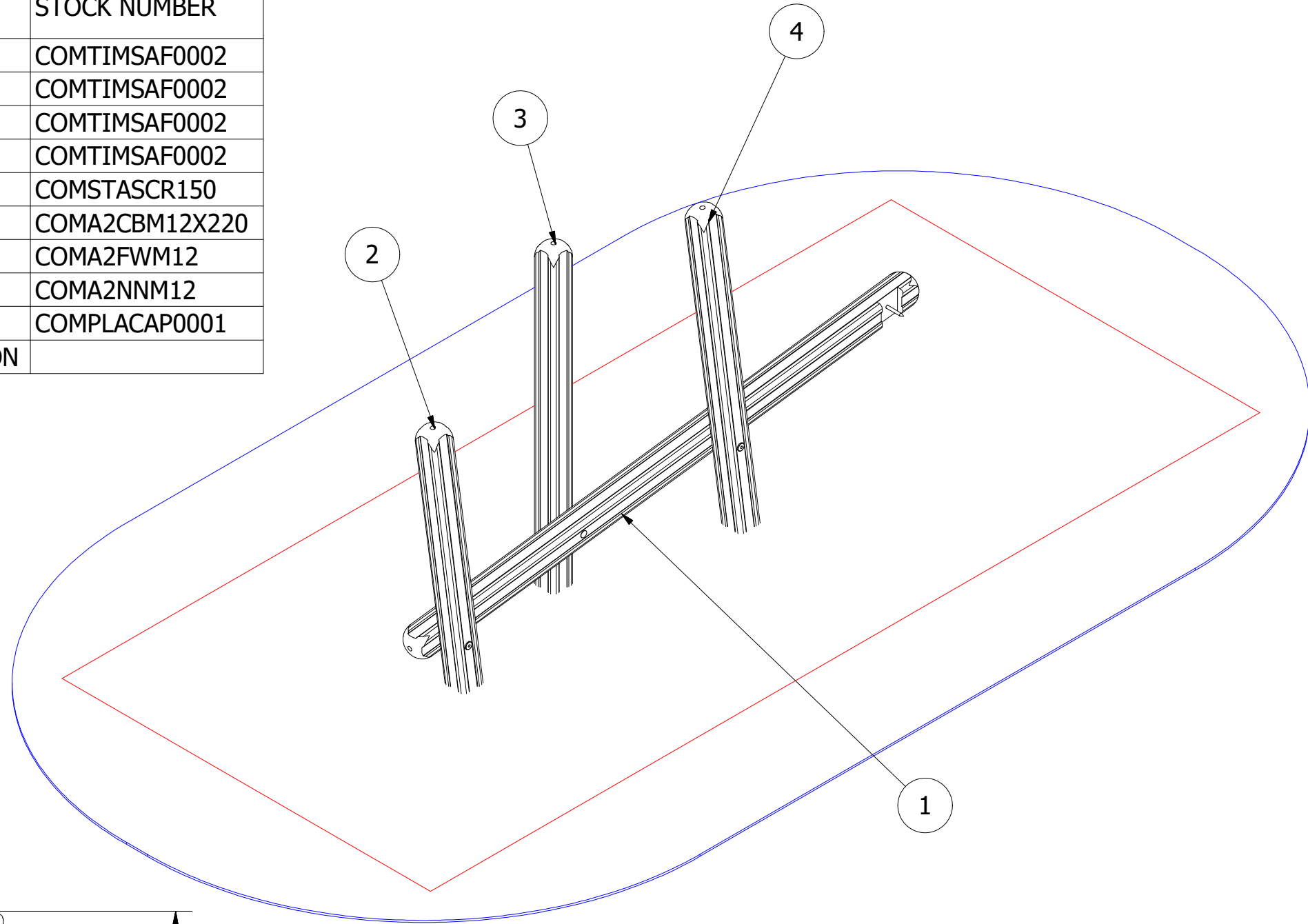



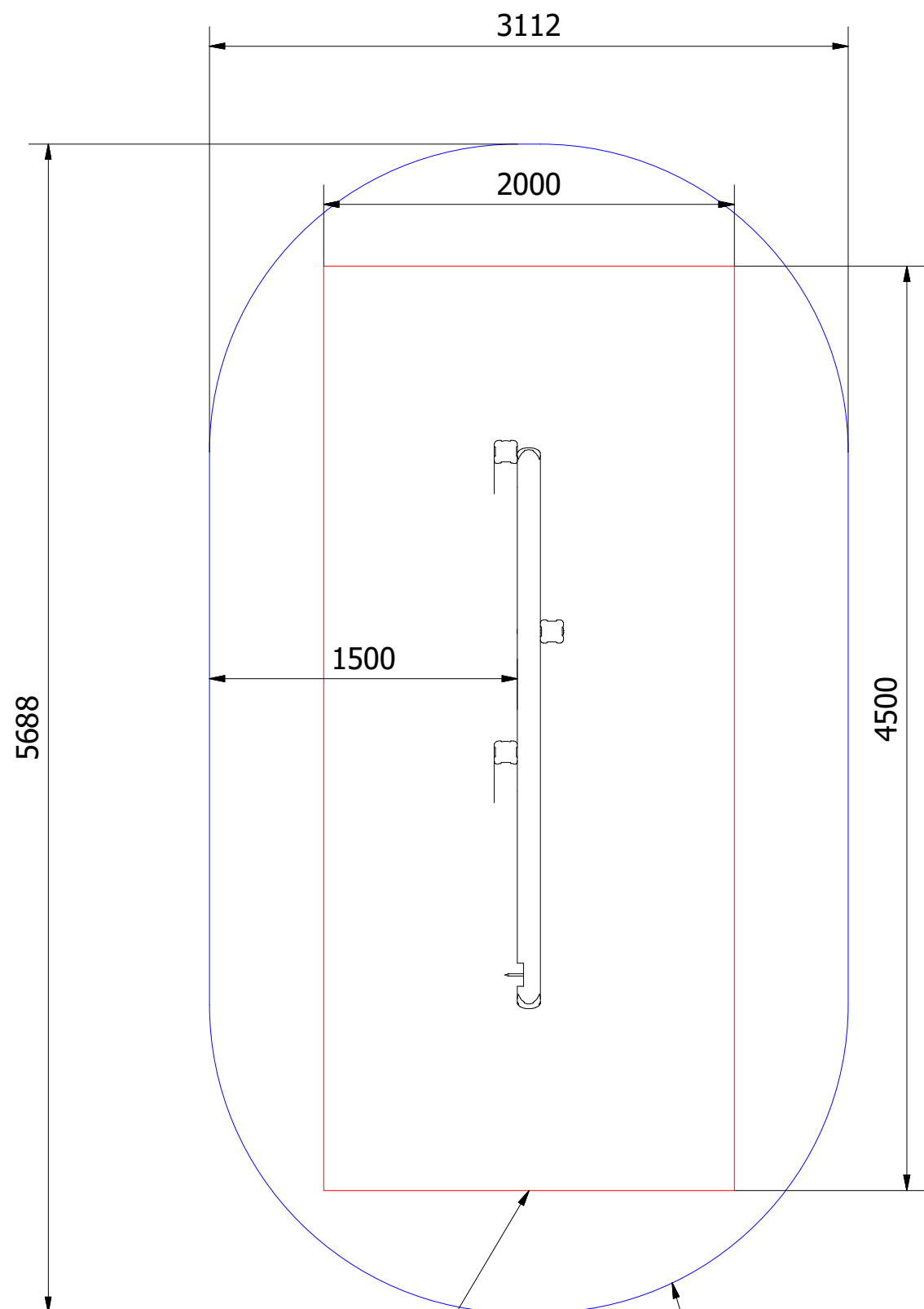
PARTS LIST

ITEM	QTY	PART NUMBER	DESCRIPTION	STOCK NUMBER
1	1	TB-200-021	2700 x 112mm Safalog	COMTIMSAF0002
2	1	TB-200-022	1800 x 112mm Safalog	COMTIMSAF0002
3	1	TB-200-023	2100 x 112mm Safalog	COMTIMSAF0002
4	1	TB-200-599	2100 x 112mm Safalog	COMTIMSAF0002
5	1	M12 X 150 COACH SCREW	M12 X 150 COACH SCREW	COMSTASCR150
6	3	M12 X 220 COACH BOLT	M12 X 220 (DIN 603)	COMA2CBM12X220
7	4	M12 WASHER	M12 WASHER (DIN 125)	COMA2FWM12
8	3	M12 NYLOC NUT	M12 NYLOC NUT (DIN 985)	COMA2NNM12
9	4	30MM BOLT COVER	30MM BLACK CAP	COMPLACAP0001
10	3	300 x 300 x 400	0.036M <sup>3</sup> CONCRETE FOUNDATION	



Each foundation hole will require 0.036m<sup>3</sup> of concrete using a 20N/mm<sup>2</sup> compressive strength - 1 part cement, 2 parts sand and 4 parts aggregate -20mm. All concrete should be tapered for water shedding. All posts should be backfilled with at least 100mm of soil once the concrete has been left for 72 hours to cure.

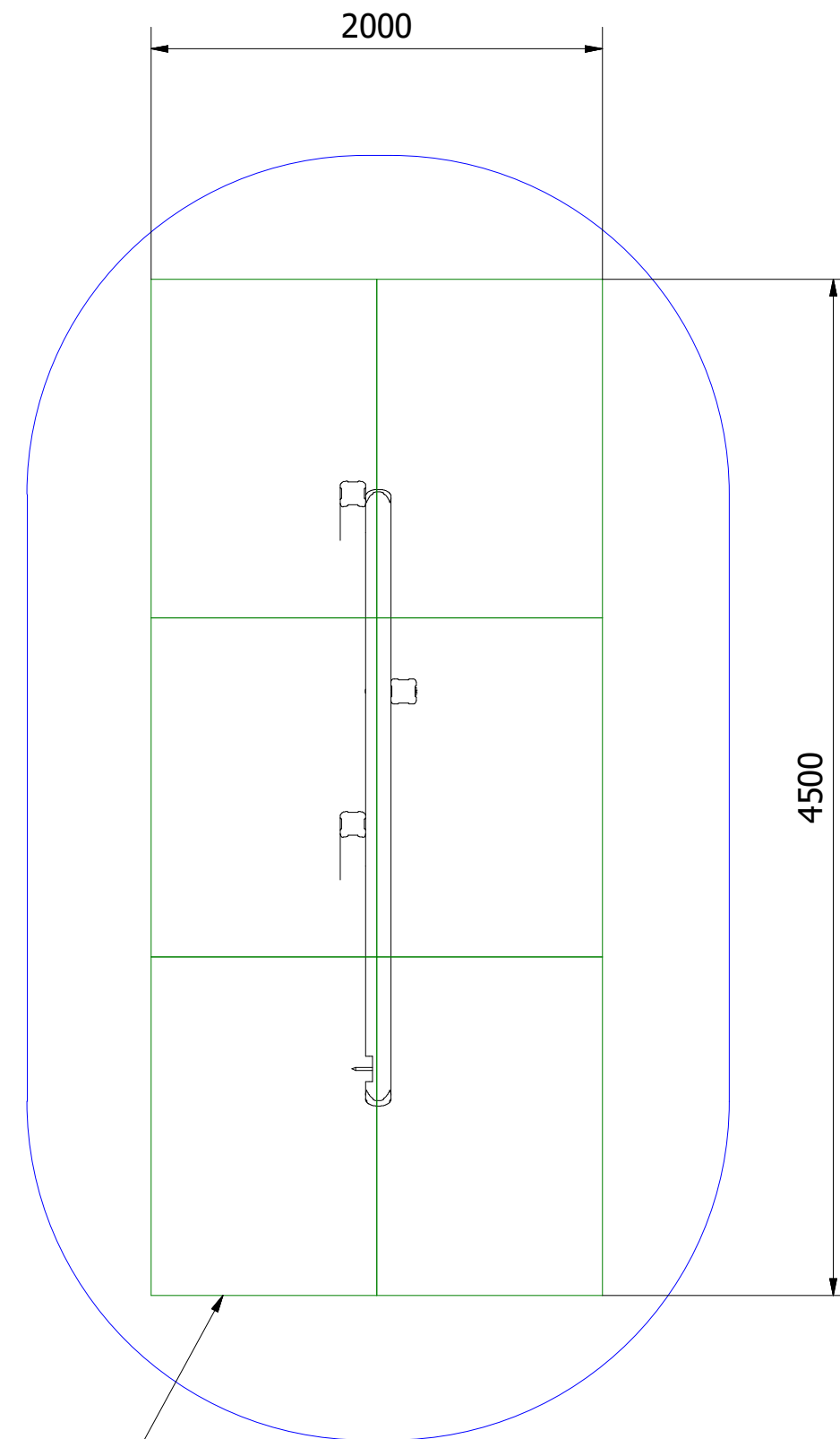
UNLESS OTHERWISE SPECIFIED: DIMENSIONS ARE IN MILLIMETERS TOLERANCES: LINEAR: ±2MM 1 DECIMAL PLACE: ±0.5MM ANGULAR: ±1°	<b>PROPRIETARY AND CONFIDENTIAL</b> THE INFORMATION CONTAINED IN THIS DRAWING IS THE SOLE PROPERTY OF FENLAND LEISURE PRODUCTS. ANY REPRODUCTION IN PART OR AS A WHOLE WITHOUT THE WRITTEN PERMISSION OF FENLAND LEISURE PRODUCTS IS PROHIBITED.	Title: <b>MOD-600-017 - BALANCE WEAVER</b>	
		Product Range: <b>ECO TRAIL</b>	
		Date: 04/07/2017	
		Page: A3	
DO NOT SCALE FROM DRAWING		Tel: 01354 638359 www.onlineplaygrounds.co.uk	



WETPOUR AREA = 9.0M<sup>2</sup>  
 PERIMETER = 13.0 L/M

MINIMUM SPACE

6 SAFAGRASS TILES (1.5M X 1.0M)



UNLESS OTHERWISE SPECIFIED:  
 DIMENSIONS ARE IN MILLIMETERS  
 TOLERANCES:  
 LINEAR: ±2MM  
 1 DECIMAL PLACE: ±0.5MM  
 ANGULAR: ±1°

**PROPRIETARY AND CONFIDENTIAL**  
 THE INFORMATION CONTAINED IN THIS  
 DRAWING IS THE SOLE PROPERTY OF  
 FENLAND LEISURE PRODUCTS. ANY  
 REPRODUCTION IN PART OR AS A WHOLE  
 WITHOUT THE WRITTEN PERMISSION  
 OF FENLAND  
 LEISURE PRODUCTS IS PROHIBITED.

Title: MOD-600-017 - BALANCE WEAVER

Product Range: ECO TRAIL

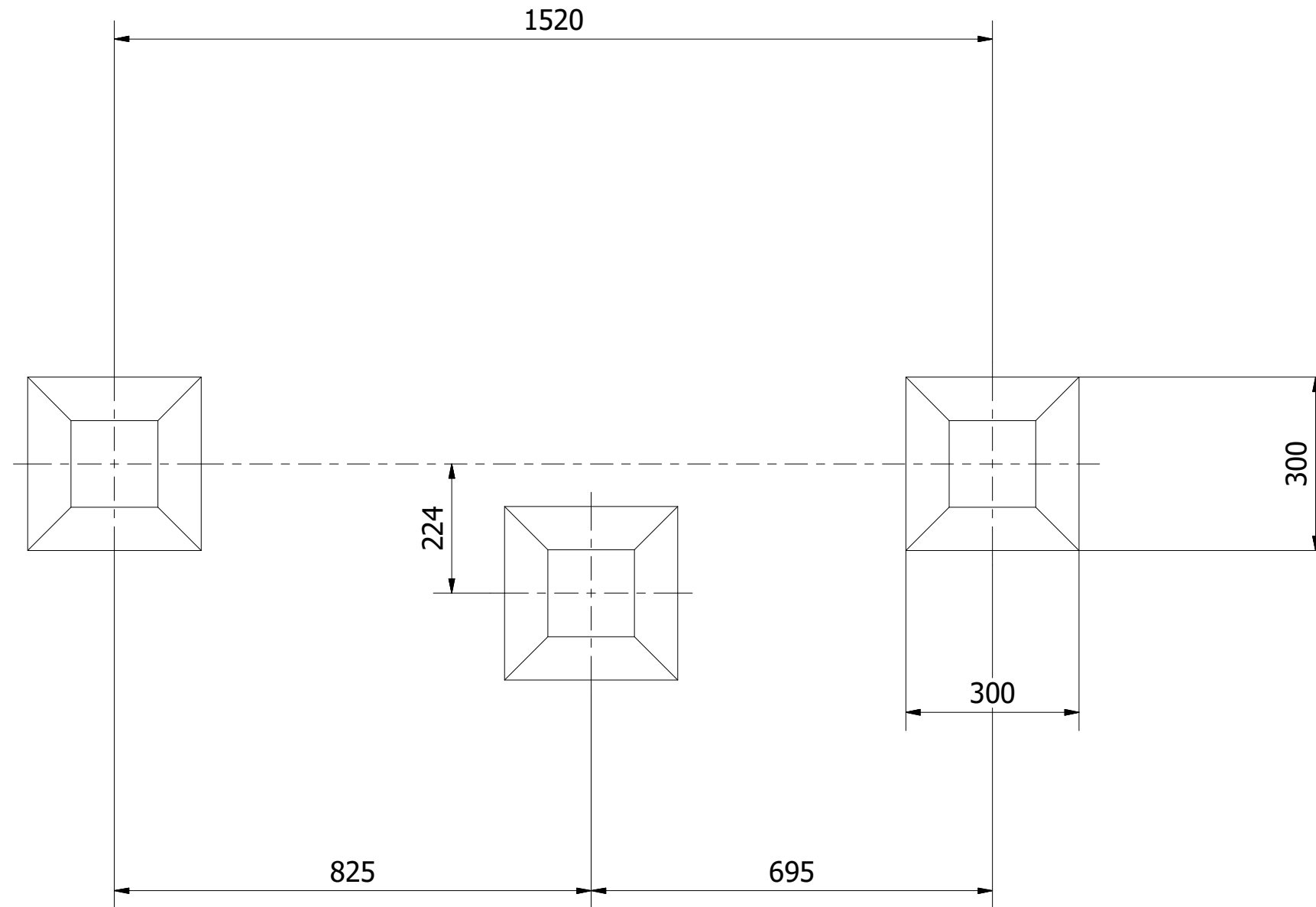
Date:  
04/07/2017

Page:  
A3




DO NOT SCALE FROM DRAWING

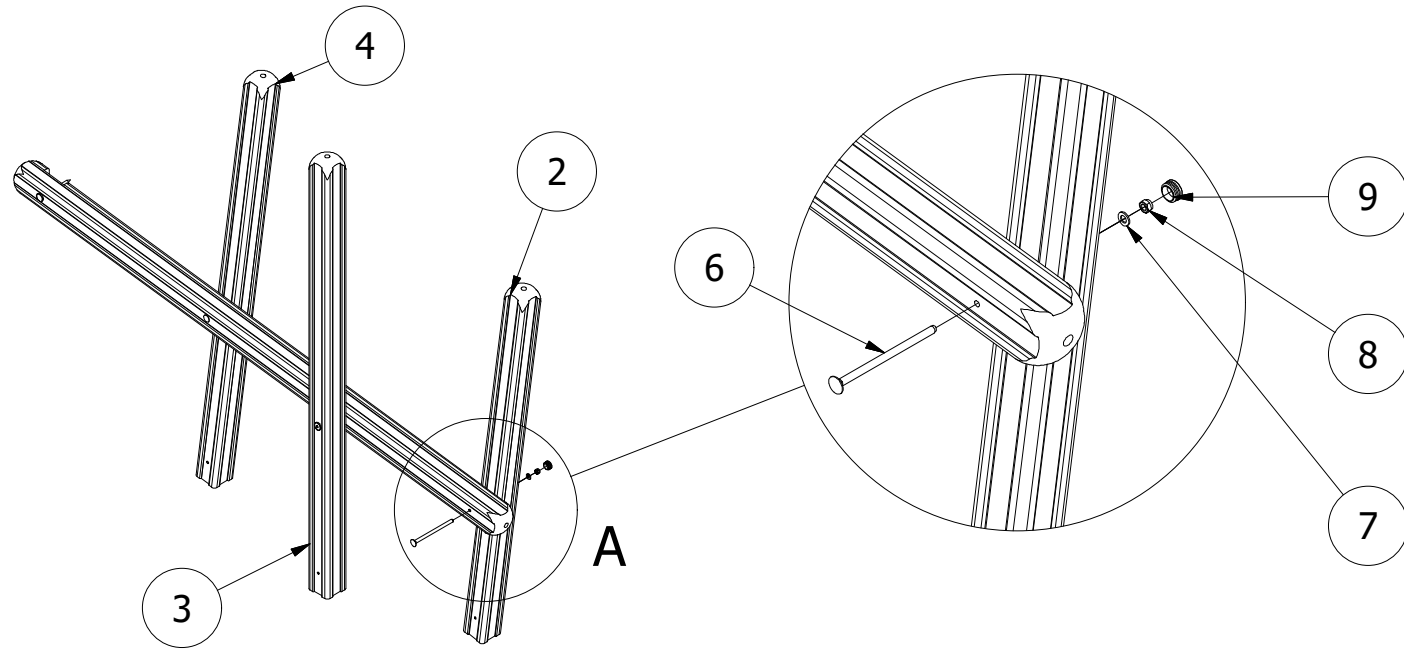
Tel: 01354 638359 www.onlineplaygrounds.co.uk



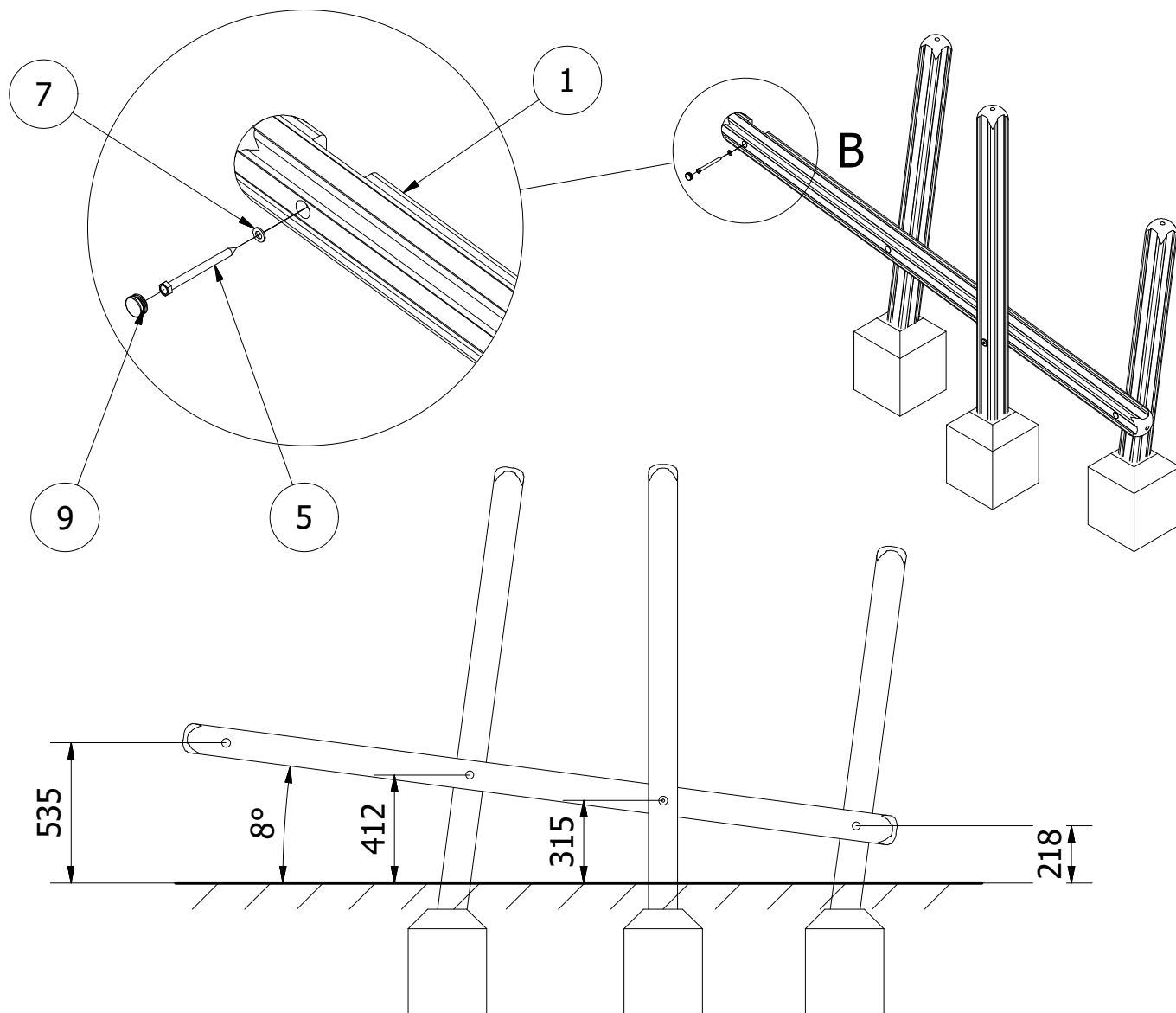
ALL FOUNDATIONS 300 X 300 X 500 DEEP UNLESS OTHERWISE SPECIFIED

UNLESS OTHERWISE SPECIFIED: DIMENSIONS ARE IN MILLIMETERS TOLERANCES: LINEAR: ±2MM 1 DECIMAL PLACE: ±0.5MM ANGULAR: ±1°	<b>PROPRIETARY AND CONFIDENTIAL</b> THE INFORMATION CONTAINED IN THIS DRAWING IS THE SOLE PROPERTY OF FENLAND LEISURE PRODUCTS. ANY REPRODUCTION IN PART OR AS A WHOLE WITHOUT THE WRITTEN PERMISSION OF FENLAND LEISURE PRODUCTS IS PROHIBITED.	Title: <b>MOD-600-017 - BALANCE WEAVER</b>	
		Product Range: <b>ECO TRAIL</b>	
		Date: 04/07/2017	
		Page: A3	
		DO NOT SCALE FROM DRAWING	
		Tel: 01354 638359 www.onlineplaygrounds.co.uk	

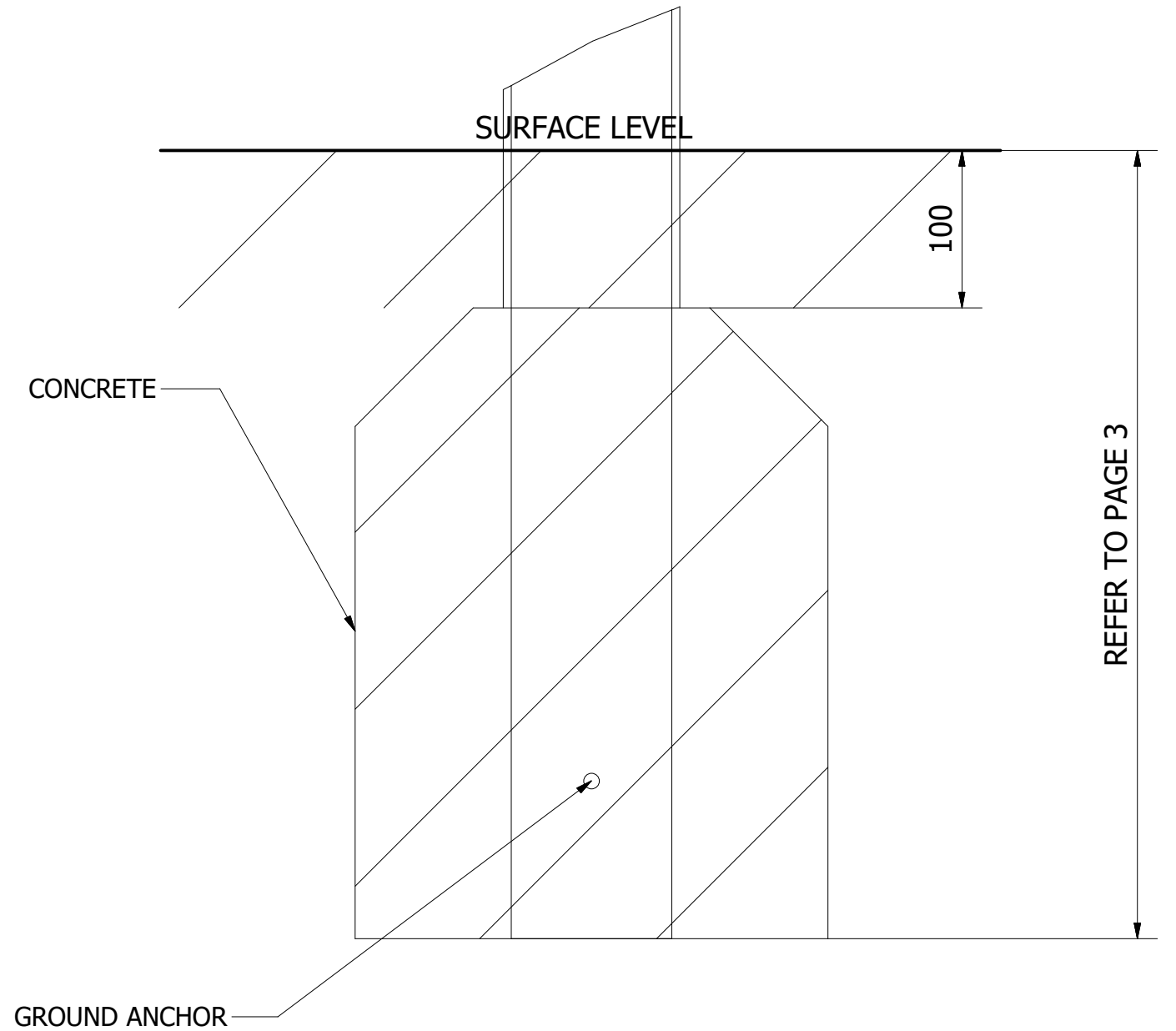
1. AS SHOWN BELOW, CREATE THE BALANCE WEAVER AND POSITION INTO THE FOUNDATION HOLES.




2. ENSURE THE UNIT IS LEVEL AND PLUMB AND SECURE THE LINK END TO THE NEXT LINEAR TRAIL ITEM USING THE SUPPLIED FIXINGS AS ILLUSTRATED BELOW.



3. FINALLY, ENSURE THE UNIT IS LEVEL AND PLUMB. ALL FIXINGS HAVE BEEN TIGHTENED AND PROTECTIVE CAPS IN PLACE. ADD CONCRETE TO EACH FOUNDATION HOLE AND LEAVE FOR 48 HOURS



UNLESS OTHERWISE SPECIFIED: DIMENSIONS ARE IN MILLIMETERS TOLERANCES: LINEAR: ±2MM 1 DECIMAL PLACE: ±0.5MM ANGULAR: ±1°	<b>PROPRIETARY AND CONFIDENTIAL</b> THE INFORMATION CONTAINED IN THIS DRAWING IS THE SOLE PROPERTY OF FENLAND LEISURE PRODUCTS. ANY REPRODUCTION IN PART OR AS A WHOLE WITHOUT THE WRITTEN PERMISSION OF FENLAND LEISURE PRODUCTS IS PROHIBITED.	Title: <b>MOD-600-017 - BALANCE WEAVER</b>	
		Product Range: <b>ECO TRAIL</b>	
		Date: 04/07/2017	
		Page: A3	
DO NOT SCALE FROM DRAWING		Tel: 01354 638359 www.onlineplaygrounds.co.uk	