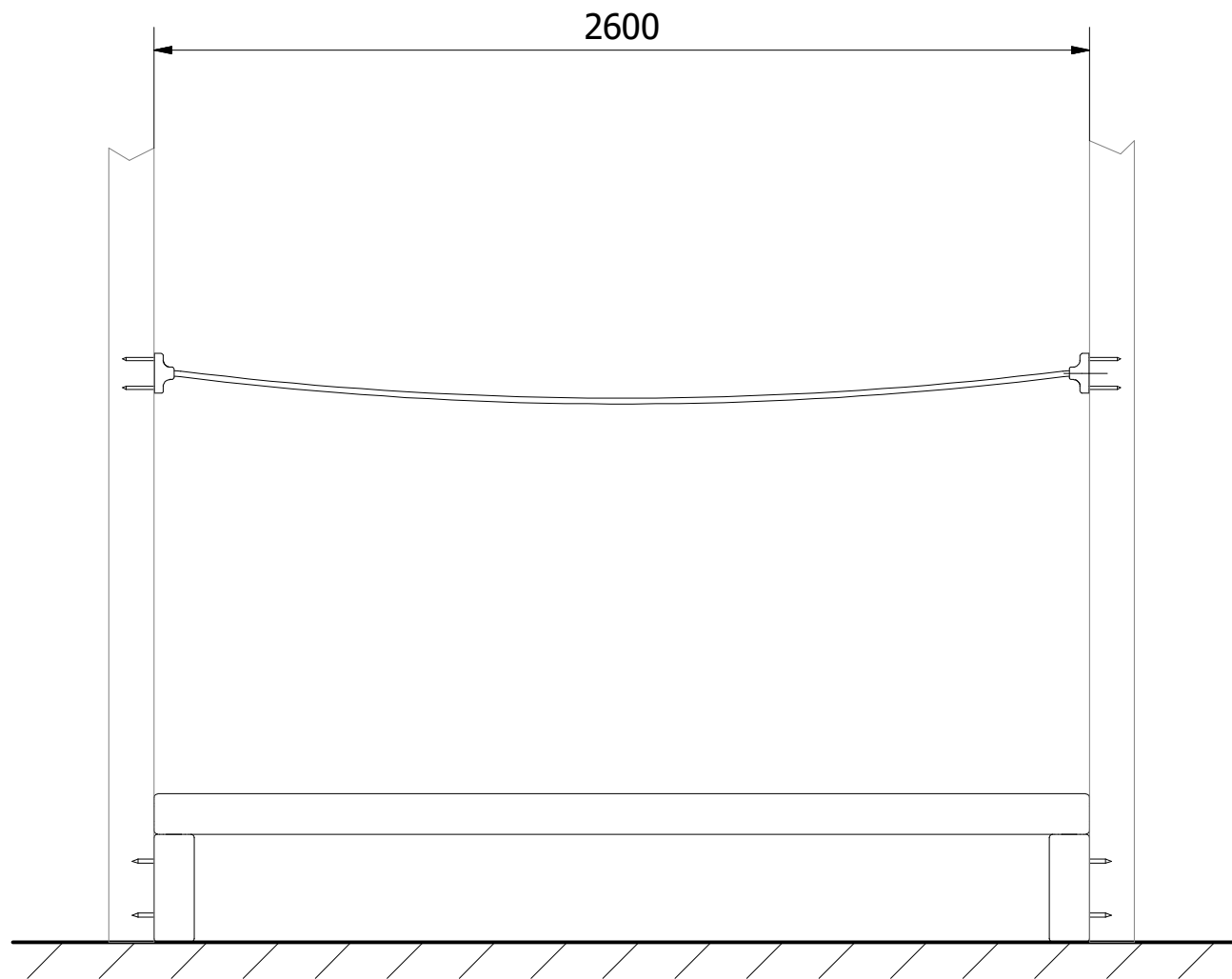
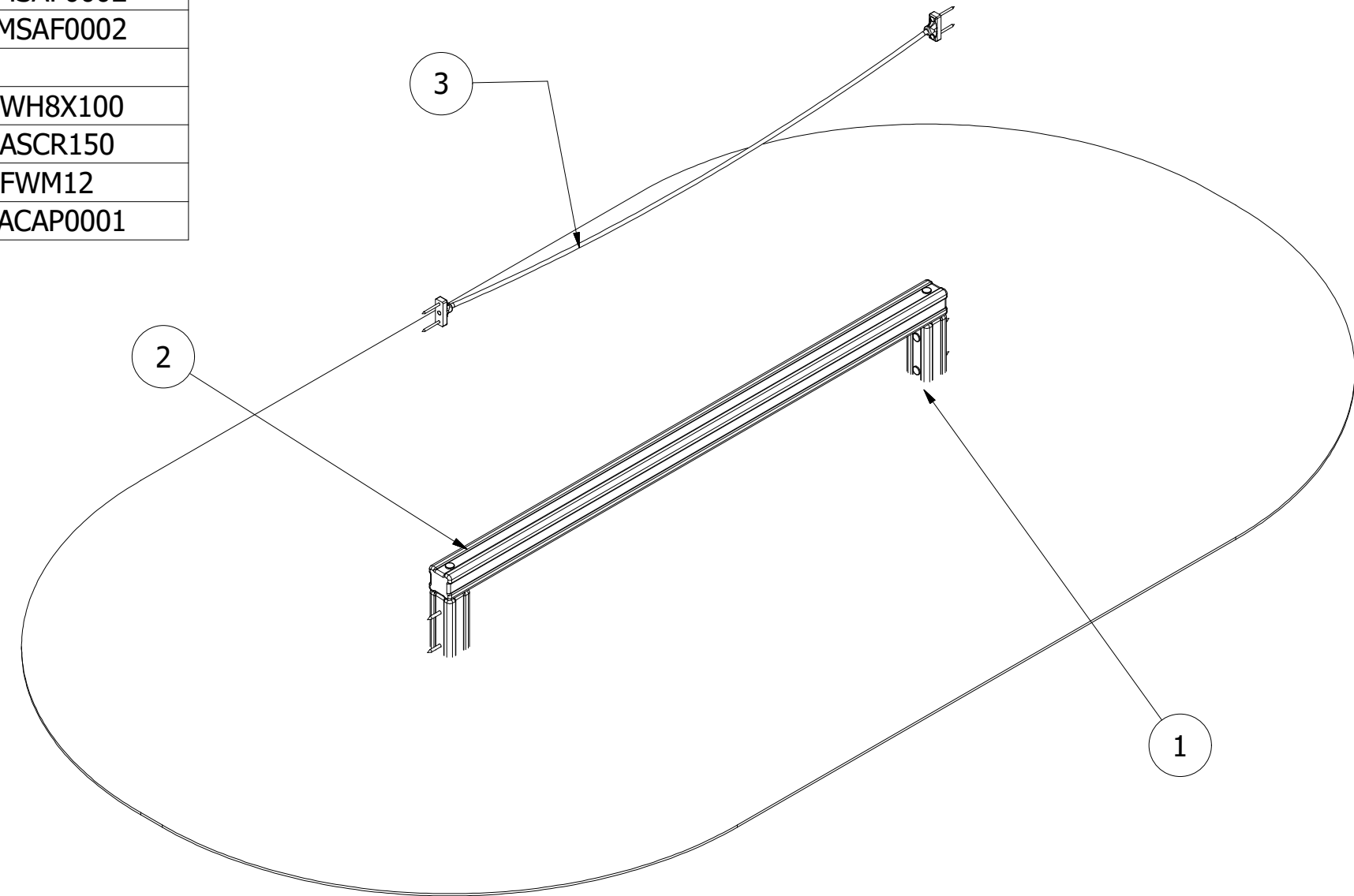


PARTS LIST

ITEM	QTY	PART NUMBER	DESCRIPTION	STOCK NUMBER
1	2	TB-200-002	300 X 112MM SAFALOG	COMTIMSAF0002
2	1	TB-200-027	2600 X 112MM SAFALOG	COMTIMSAF0002
3	1	RS-100-010	SINGLE ROPE	
4	2	M8 X 100 TORX WASHER HEAD	100MM WASHER HEAD	COMA2WH8X100
5	4	M12 X 150 COACH SCREW	M12 X 150 COACH SCREW	COMSTASCR150
6	4	M12 WASHER	M12 WASHER (DIN 125)	COMA2FWM12
7	6	30MM BOLT COVER	30MM BLACK CAP	COMPLACAP0001



UNLESS OTHERWISE SPECIFIED:
DIMENSIONS ARE IN MILLIMETERS
TOLERANCES:
LINEAR: ±2MM
1 DECIMAL PLACE: ±0.5MM
ANGULAR: ±1°

PROPRIETARY AND CONFIDENTIAL
THE INFORMATION CONTAINED IN THIS
DRAWING IS THE SOLE PROPERTY OF
FENLAND LEISURE PRODUCTS. ANY
REPRODUCTION IN PART OR AS A WHOLE
WITHOUT THE WRITTEN PERMISSION
OF FENLAND
LEISURE PRODUCTS IS PROHIBITED.

Title: **MOD-600-002 - BALANCE CROSSING**

Product Range: **ECO TRAIL**

Date:
04/07/2017

Page:

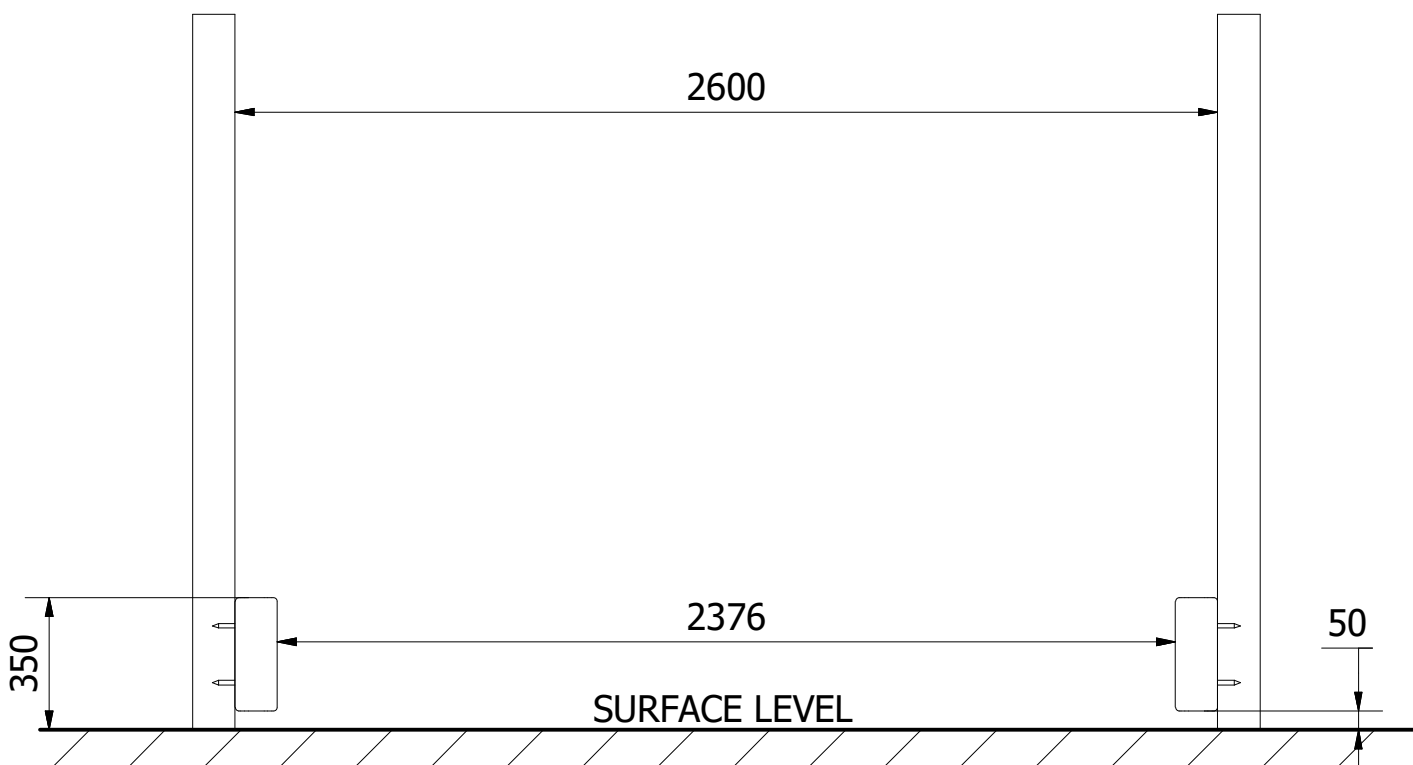
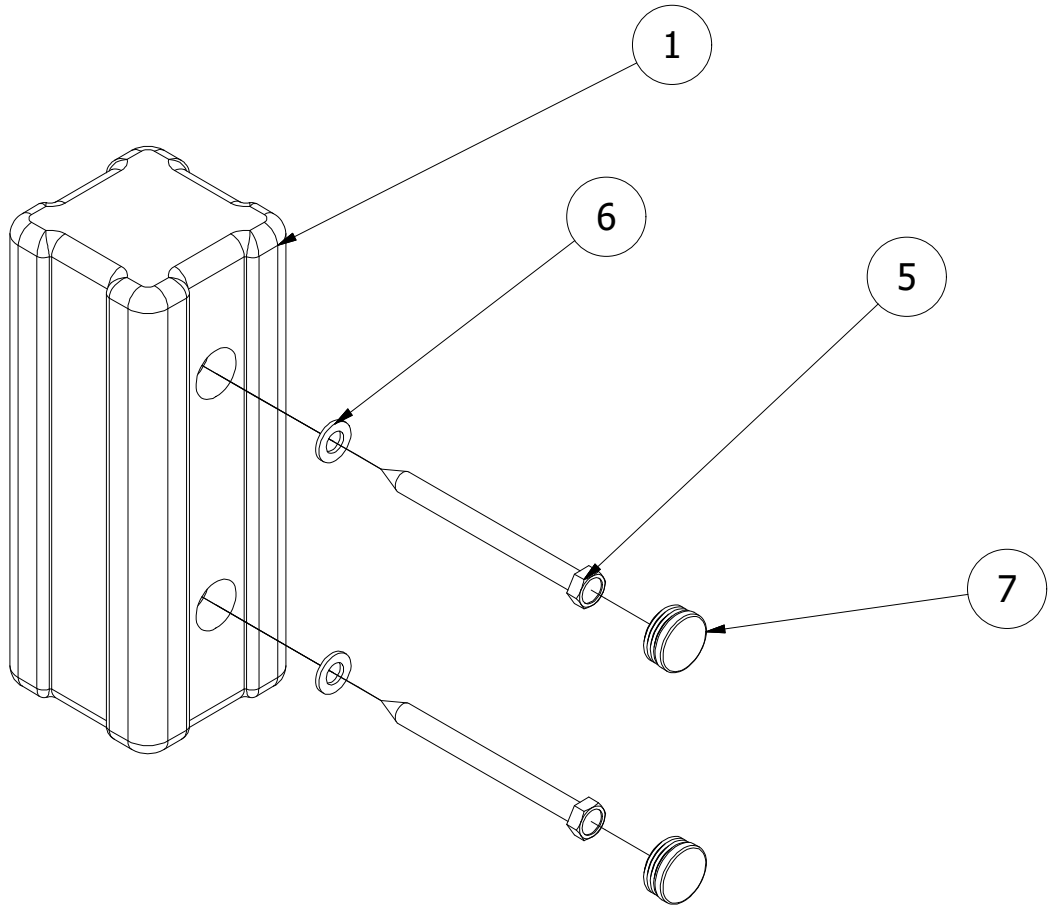
A3



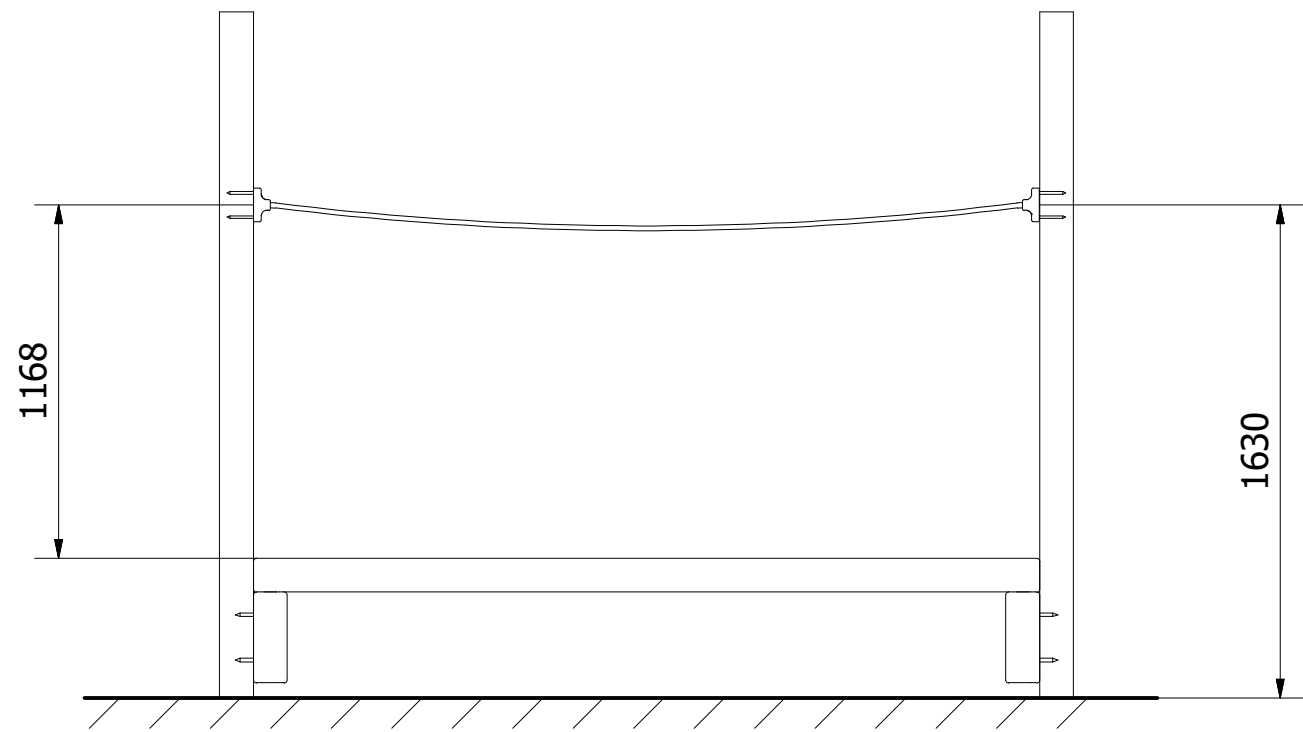
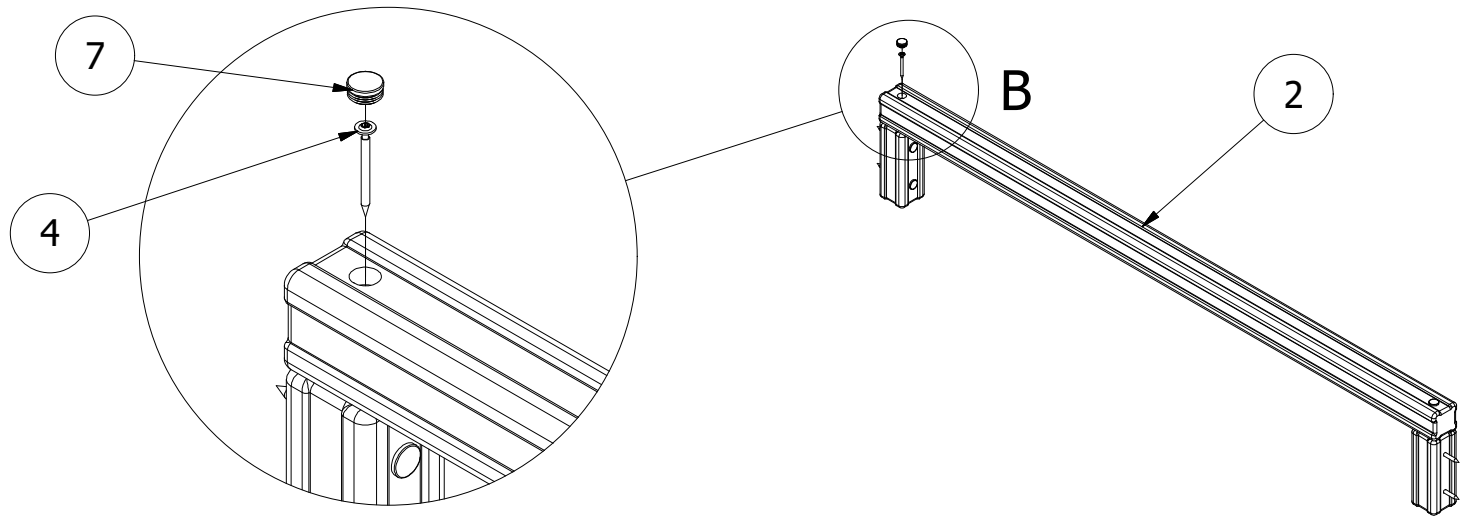
DO NOT SCALE FROM DRAWING


Tel: 01354 638359 www.onlineplaygrounds.co.uk

1. AS SHOWN BELOW, SECURE BOTH LOG STEPS ONTO THE INSIDES OF THE ADJOINING POSTS LEAVING APPROX 50MM OFF FROM THE FINISHED SURFACE LEVEL.



2. FINALLY, SECURE THE BALANCE BEAM ONTO THE TOP OF THE TWO LOG STEPS USING THE SUPPLIED FIXINGS. WITH THE BEAM INSTALLED, POSITION AND SECURE THE ROPE TO THE INSIDES OF THE POSTS.



UNLESS OTHERWISE SPECIFIED: DIMENSIONS ARE IN MILLIMETERS TOLERANCES: LINEAR: ±2MM 1 DECIMAL PLACE: ±0.5MM ANGULAR: ±1°	PROPRIETARY AND CONFIDENTIAL THE INFORMATION CONTAINED IN THIS DRAWING IS THE SOLE PROPERTY OF FENLAND LEISURE PRODUCTS. ANY REPRODUCTION IN PART OR AS A WHOLE WITHOUT THE WRITTEN PERMISSION OF FENLAND LEISURE PRODUCTS IS PROHIBITED.	Title: MOD-600-002 - BALANCE CROSSING	
		Product Range: ECO TRAIL	
		Date: 04/07/2017	
		Page: A3	
DO NOT SCALE FROM DRAWING		Tel: 01354 638359 www.onlineplaygrounds.co.uk	