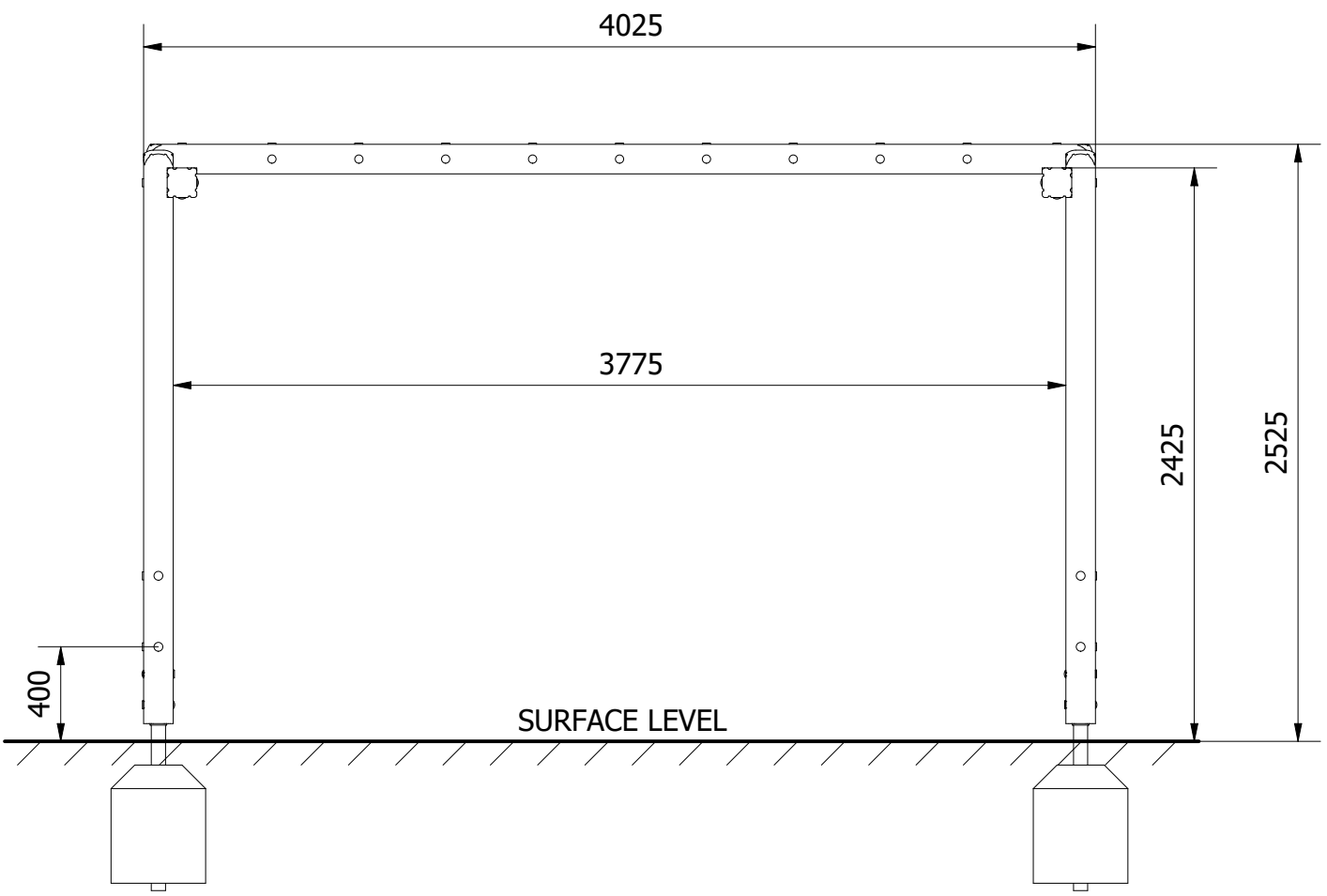
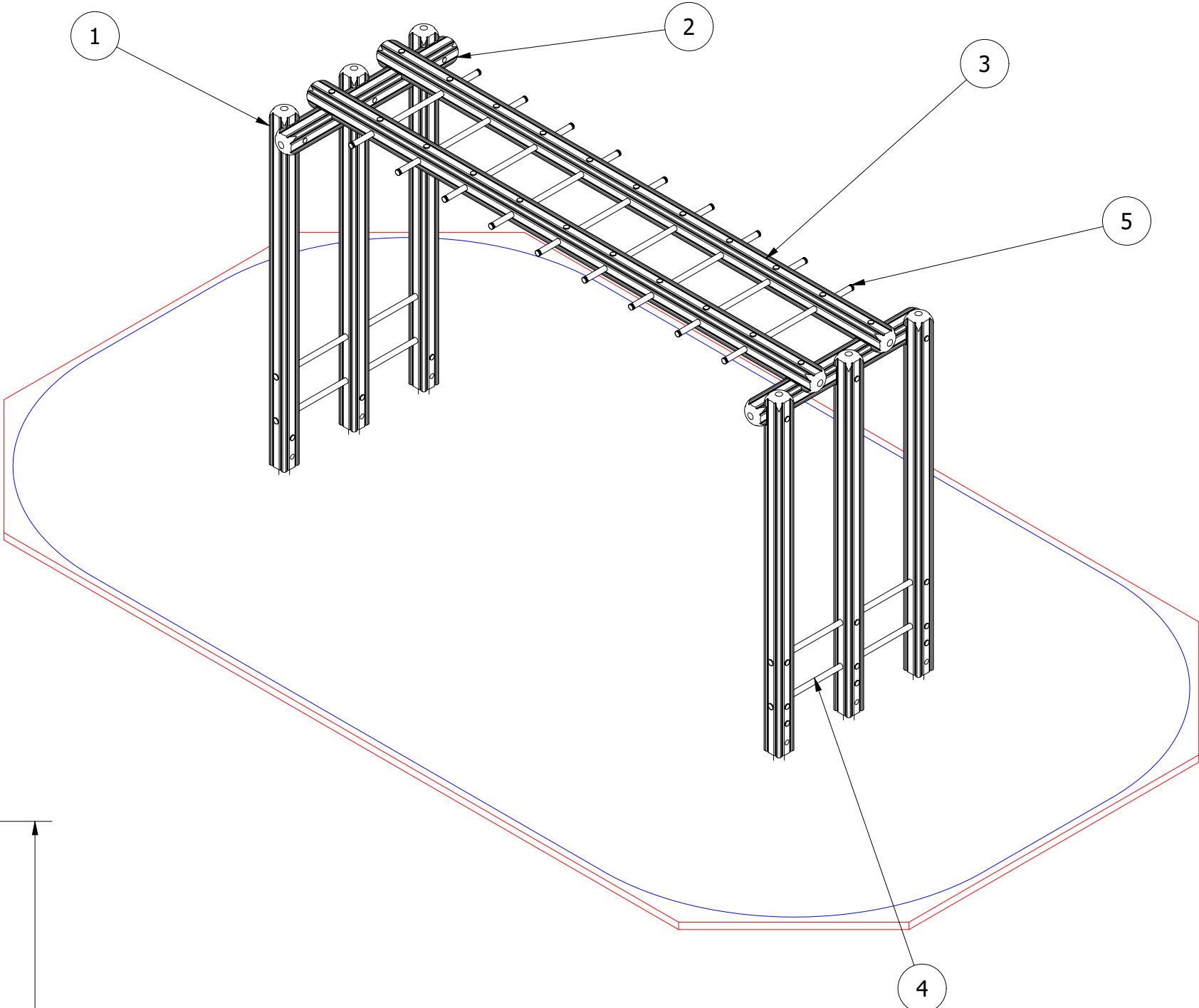




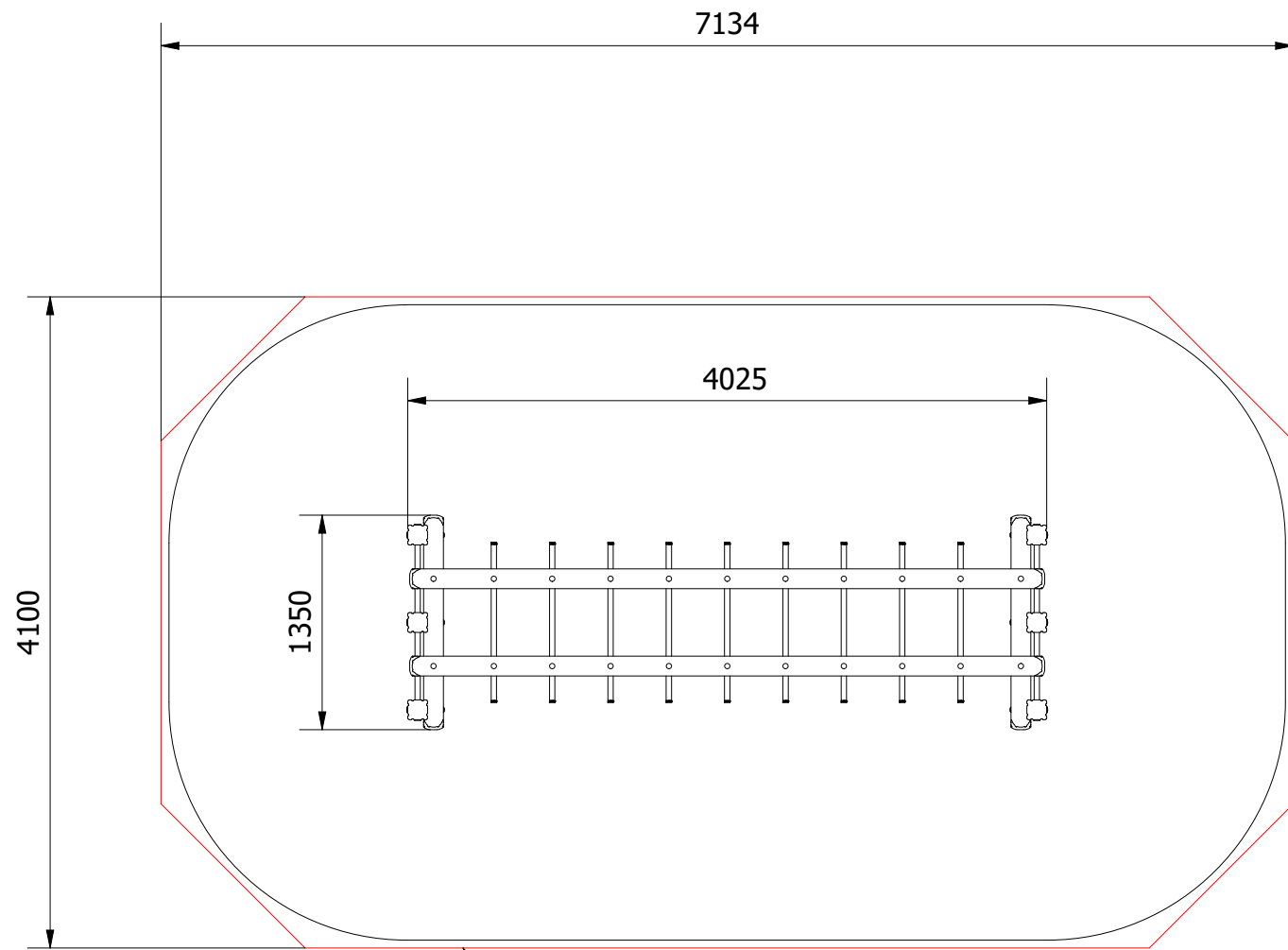
PARTS LIST				
ITEM	QTY	PART NUMBER	DESCRIPTION	STOCK NUMBER
1	6	TB-200-331_B	2425mm x 125mm (SURFACE LEVEL)	COMTIMSAF0001
2	2	TB-200-332	1350mm x 125mm SAFALOG	COMTIMSAF0001
3	2	TB-200-333	4000MM X 125MM SAFALOG	COMTIMSAF0001
4	4	MT-300-081	1160 X 33.7 DIA (SS C.H.S)	
5	9	MT-300-080	1000 X 33.7 DIA (SS C.H.S)	
6	6	MOD-600-116 GROUND FOOT	GROUND FOOT (125)	SUBSTEMIS0006
7	10	M12 X 220 COACH BOLT	M12 X 220 (DIN 603)	COMA2CBM12X220
8	10	M12 WASHER	M12 WASHER (DIN 125)	COMA2FWM12
9	10	M12 NYLOC NUT	M12 NYLOC NUT (DIN 985)	COMA2NNM12
10	30	M8 X 80 TORX WASHER HEAD	80MM WASHER SCREW	COMA2WH8X80
11	40	30MM BOLT COVER	30MM BLACK CAP	COMPLACAP0001
12	18	32MM BOLT COVER	32MM BLACK CAP	COMPLACAP0012
13	8	34MM BOLT COVER	34MM CAP	COMPLACAP0003
14	6	400 x 400 x 500	0.08 <sup>3</sup> CONCRETE FOUNDATION	

INDICATOR SIGN				
ITEM	QTY	PART NUMBER	DESCRIPTION	STOCK NUMBER
2	1	PE-400-035	INDICATOR SIGN	COMSIGSIG0032
4	4	M3 X 25 POZI PAN SCREW	25MM POZI PAN SCREW	COMHARSTA0009
5	1	300 x 300 x 400	0.036M <sup>3</sup> CONCRETE FOUNDATION	

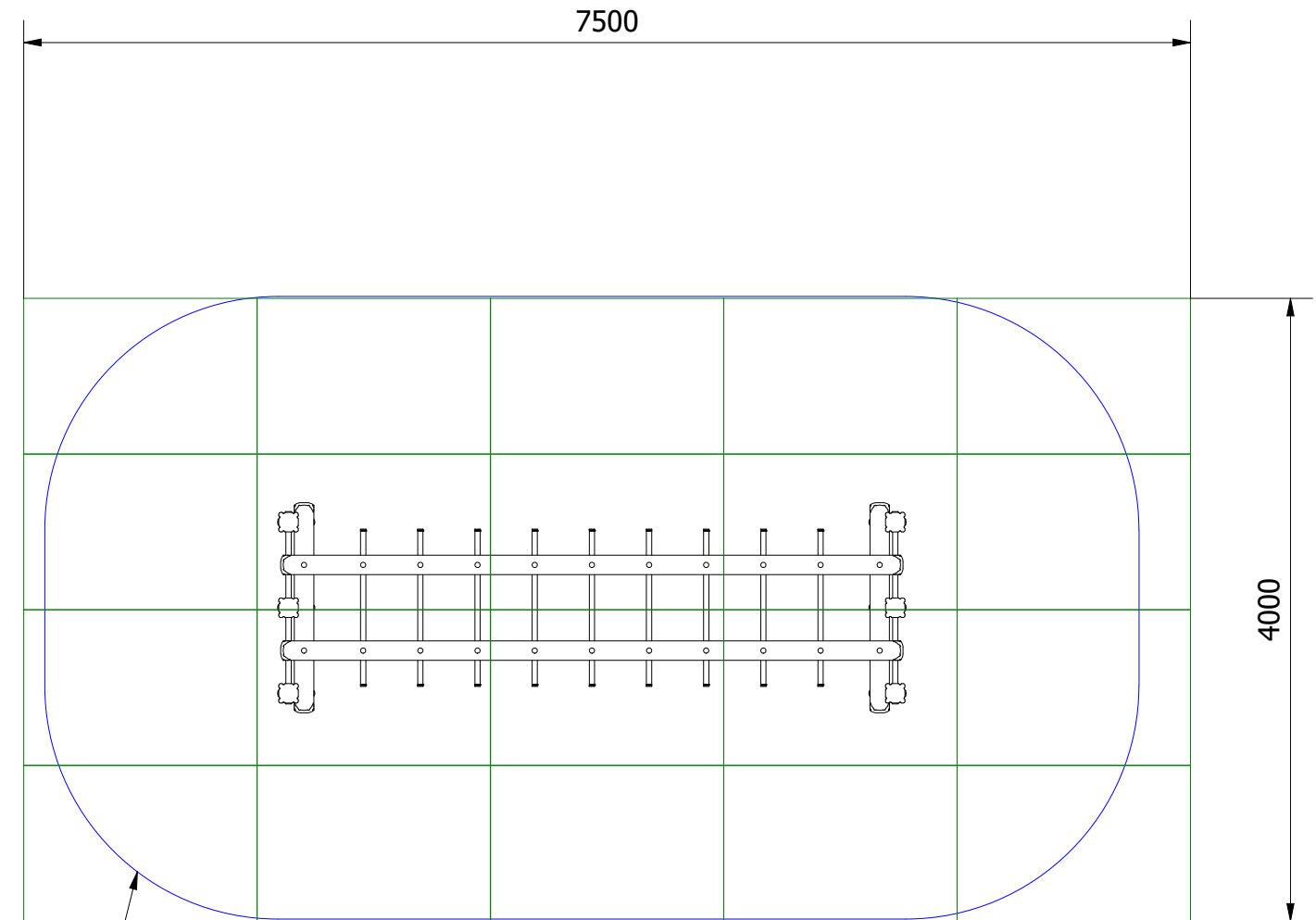


NOTES:  
 STEELWORK: EXPORT - ALUMINIUM  
 U.K - STAINLESS STEEL  
 INDICATOR SIGN: EXPORT - COMSIGSIG0042  
 U.K - COMSIGSIG0032

UNLESS OTHERWISE SPECIFIED: DIMENSIONS ARE IN MILLIMETERS TOLERANCES: LINEAR: ±2MM 1 DECIMAL PLACE: ±0.5MM ANGULAR: ±1°	<b>PROPRIETARY AND CONFIDENTIAL</b> THE INFORMATION CONTAINED IN THIS DRAWING IS THE SOLE PROPERTY OF FENLAND LEISURE PRODUCTS. ANY REPRODUCTION IN PART OR AS A WHOLE WITHOUT THE WRITTEN PERMISSION OF FENLAND LEISURE PRODUCTS IS PROHIBITED.	Title: PRO-500-048 DOUBLE LADDER (FC37)	
		Product Range: FITNESS TRAIL	
		<2.5M FFH	Date: 08/11/2024
		REV:B	Page: A3
		DO NOT SCALE FROM DRAWING	
		Tel: 01354 638359 www.onlineplaygrounds.co.uk	



WETPOUR AREA = 27.6M<sup>2</sup>  
 PERIMETER = 20.4 L/M



MIN SPACE

20 SAFAGRASS TILES (1.5 X 1.0)

UNLESS OTHERWISE SPECIFIED:  
 DIMENSIONS ARE IN MILLIMETERS  
 TOLERANCES:  
 LINEAR: ±2MM  
 1 DECIMAL PLACE: ±0.5MM  
 ANGULAR: ±1°

**PROPRIETARY AND CONFIDENTIAL**  
 THE INFORMATION CONTAINED IN THIS  
 DRAWING IS THE SOLE PROPERTY OF  
 FENLAND LEISURE PRODUCTS. ANY  
 REPRODUCTION IN PART OR AS A WHOLE  
 WITHOUT THE WRITTEN PERMISSION  
 OF FENLAND  
 LEISURE PRODUCTS IS PROHIBITED.

Title: PRO-500-048 DOUBLE LADDER (FC37)

Product Range: FITNESS TRAIL

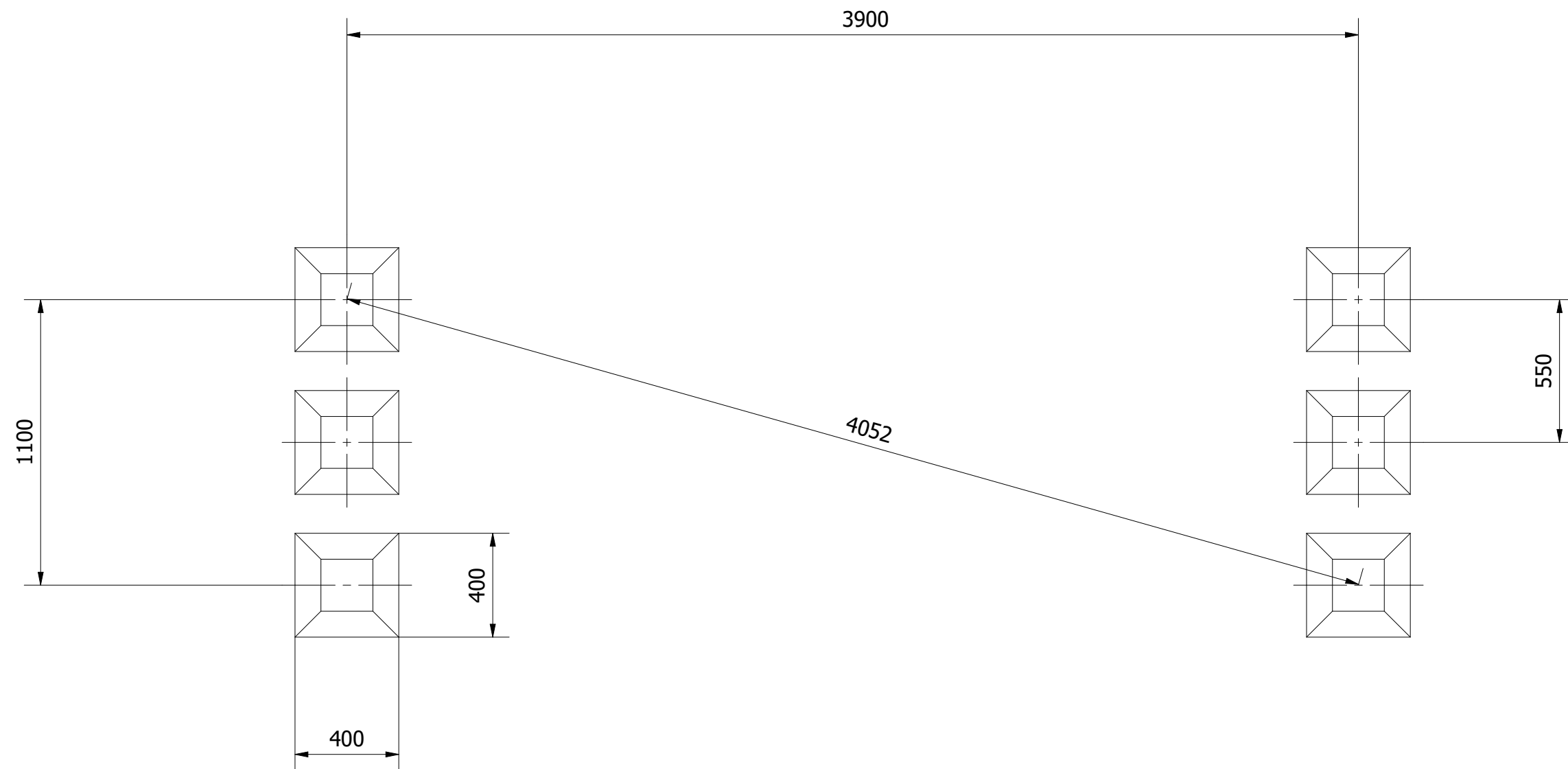
Date:  
08/11/2024

Page:  
A3



DO NOT SCALE FROM DRAWING

Tel: 01354 638359 www.onlineplaygrounds.co.uk



ALL FOUNDATIONS 400 X 400 X 600 DEEP UNLESS OTHERWISE SPECIFIED  
800 DEEP FOR SAND OR BARK

UNLESS OTHERWISE SPECIFIED:  
DIMENSIONS ARE IN MILLIMETERS  
TOLERANCES:  
LINEAR: ±2MM  
1 DECIMAL PLACE: ±0.5MM  
ANGULAR: ±1°

**PROPRIETARY AND CONFIDENTIAL**  
THE INFORMATION CONTAINED IN THIS  
DRAWING IS THE SOLE PROPERTY OF  
FENLAND LEISURE PRODUCTS. ANY  
REPRODUCTION IN PART OR AS A WHOLE  
WITHOUT THE WRITTEN PERMISSION  
OF FENLAND  
LEISURE PRODUCTS IS PROHIBITED.

Title: PRO-500-048 DOUBLE LADDER (FC37)

Product Range: FITNESS TRAIL

Date:  
08/11/2024

Page:

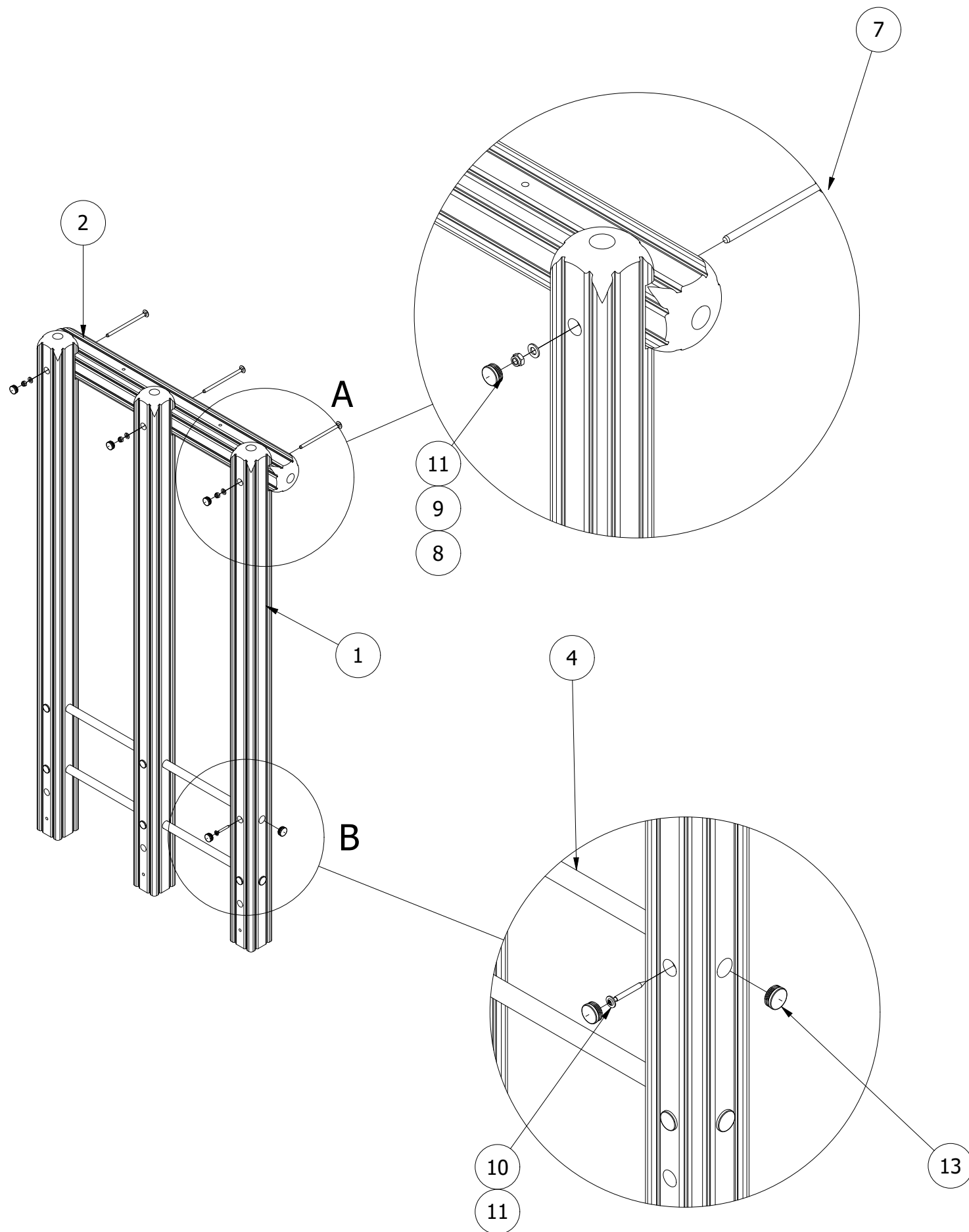
A3



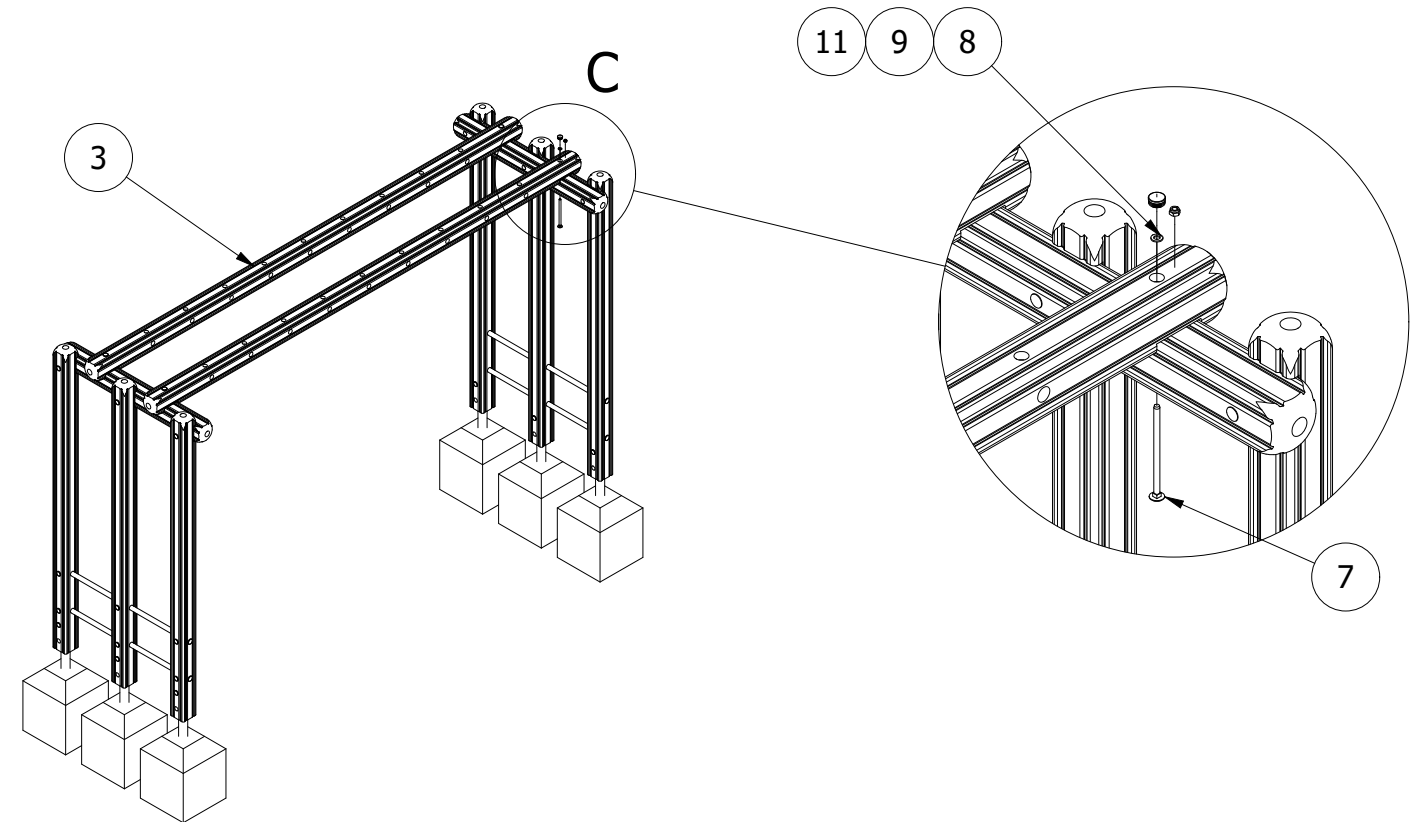
DO NOT SCALE FROM DRAWING

Tel: 01354 638359 www.onlineplaygrounds.co.uk

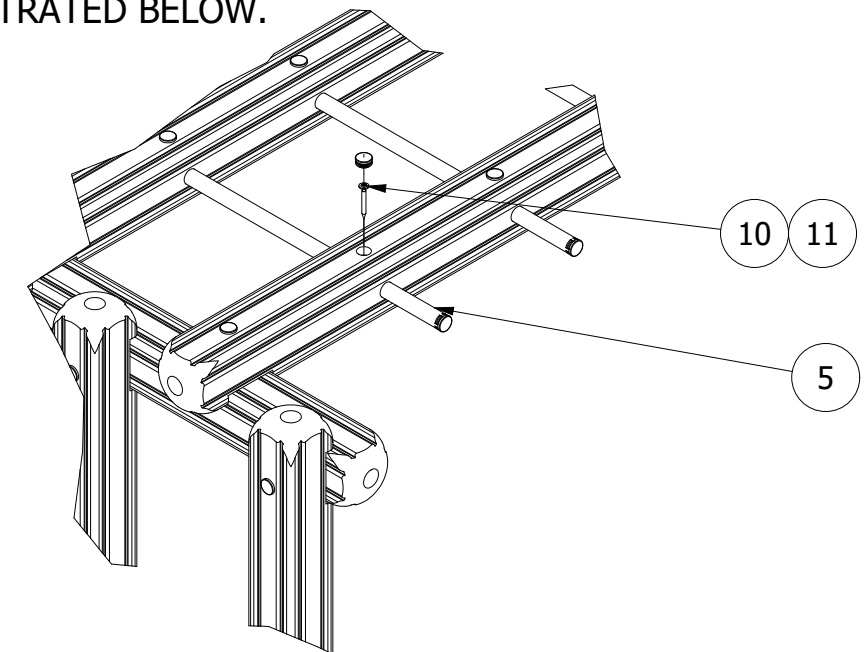
1. LAYING THE UNIT ON THE FLOOR, CREATE THE BOTH THE FRAMES, AS ILLUSTRATED BELOW, USING THE SUPPLIED FIXINGS. WHEN READY, LIFT THE FRAME INTO POSITION INTO THE FOUNDATION HOLES AND PROP IN PLACE ENSURING BOTH SIDES ARE FLUSH AND PLUMB.



2. AS SHOWN BELOW, CONNECT THE TWO FRAMES TOGETHER WITH THE HORIZONTAL BEAM (ITEM 3), USING THE SUPPLIED FIXINGS. ENSURE THE UNIT IS LEVEL & PLUMB



3. ATTACH THE LADDER ADJOINING THE TWO HORIZONTAL BEAMS (ITEM 3) USING THE SUPPLIED FIXINGS ILLUSTRATED BELOW.



UNLESS OTHERWISE SPECIFIED:  
DIMENSIONS ARE IN MILLIMETERS  
TOLERANCES:  
LINEAR:  $\pm 2\text{MM}$   
1 DECIMAL PLACE:  $\pm 0.5\text{MM}$   
ANGULAR:  $\pm 1^\circ$

PROPRIETARY AND CONFIDENTIAL

THE INFORMATION CONTAINED IN THIS DRAWING IS THE SOLE PROPERTY OF FENLAND LEISURE PRODUCTS. ANY REPRODUCTION IN PART OR AS A WHOLE WITHOUT THE WRITTEN PERMISSION OF FENLAND LEISURE PRODUCTS IS PROHIBITED.

Title: PRO-500-048 DOUBLE LADDER (FC37)

Product Range: FITNESS TRAIL

Date:  
08/11/2024

Page:

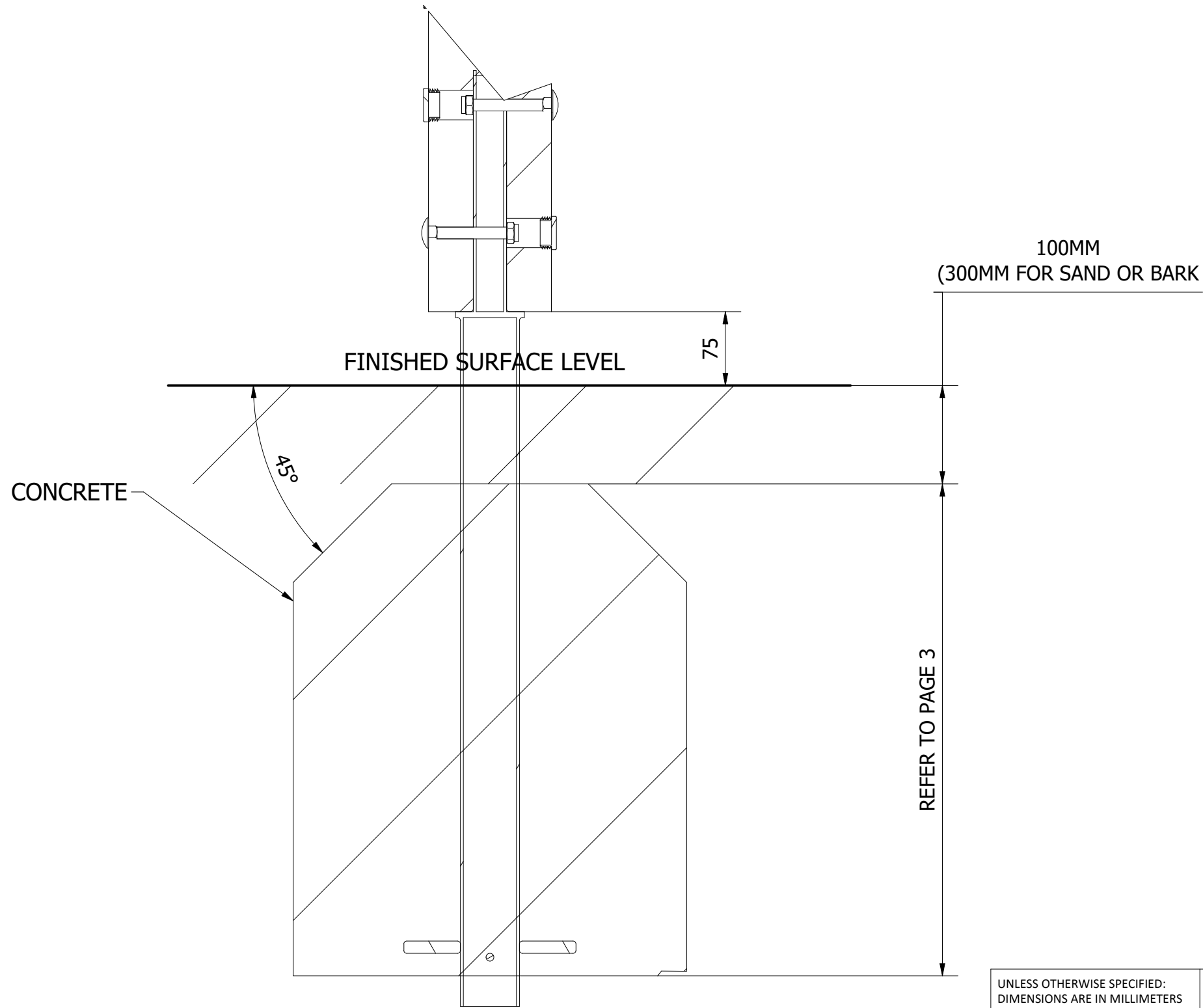
A3

**OLP**  
online playgrounds

DO NOT SCALE FROM DRAWING

Tel: 01354 638359 www.onlineplaygrounds.co.uk

3. FINALLY, ENSURE ALL FIXINGS HAVE BEEN TIGHTENED AND PROTECTIVE CAPS IN PLACE. ADD CONCRETE TO EACH FOUNDATION HOLE AND LEAVE FOR 48 HOURS



UNLESS OTHERWISE SPECIFIED:  
DIMENSIONS ARE IN MILLIMETERS  
TOLERANCES:  
LINEAR: ±2MM  
1 DECIMAL PLACE: ±0.5MM  
ANGULAR: ±1°

**PROPRIETARY AND CONFIDENTIAL**  
THE INFORMATION CONTAINED IN THIS  
DRAWING IS THE SOLE PROPERTY OF  
FENLAND LEISURE PRODUCTS. ANY  
REPRODUCTION IN PART OR AS A WHOLE  
WITHOUT THE WRITTEN PERMISSION  
OF FENLAND  
LEISURE PRODUCTS IS PROHIBITED.

Title: PRO-500-048 DOUBLE LADDER (FC37)

Product Range: FITNESS TRAIL

Date:  
08/11/2024

Page:  
A3



DO NOT SCALE FROM DRAWING

Tel: 01354 638359 www.onlineplaygrounds.co.uk