

300112 Shark

Printed: 2024-06-13
www.ledonplay.com/product/300112



- Made in Denmark
- Developed with children
- Low-maintenance
- Sustainable materials
- Fully certified

Fun springers from the pirate universe

LEDON Pirates has springers designed for a genuine pirate universe. From the captain's parrot to the ferocious shark that's ready to attack if a pirate is forced to walk the plank. The thematic design of the springers helps to spark children's role-play and social interaction.

At the same time, the rocking motion is also good for the body. It strengthens children's sense of balance and rhythm, and also trains their visual perception. This helps children perceive and understand sensory impressions and link them to past experiences, which can ultimately benefit their motor skills.

The high-quality materials used to make our equipment ensure that children can safely rock back and forth without having to worry about fingers sticking to the surfaces in frosty weather or getting splinters. All the springers are designed with our patented spring tensioning, which ensures that no small fingers get caught.

Why choose LEDON Pirates?

- The play activities at the pirate playground are 100% inspired by children and based on children's ideas about pirate-themed play activities.
- In Pirates, several innovative play activities have been designed that stimulate role-play, social interaction and physical play, for example the wobbly plank.
- The ships are available in many different price classes, and new elements can easily be added to the universe.
- The pirate ships are divided into zones so that several age groups can play at the same time without disturbing each other.

Specifications

Article number

300112C: Surface mounting
300112G: In-ground mounting

Recommended ages

From 1 year

Product dimensions (LxWxH)

71 x 41 x 80 cm

Area requirement incl. safety distances (LxW)

271 x 241 cm

Max. fall height

45 cm

Recommended ages

1 person 1 hour

Other details

- This product is inclusive
- This product can be installed directly on grass without additional fall protection

Click here to see more about the product on our website:
www.ledonplay.com/product/300112



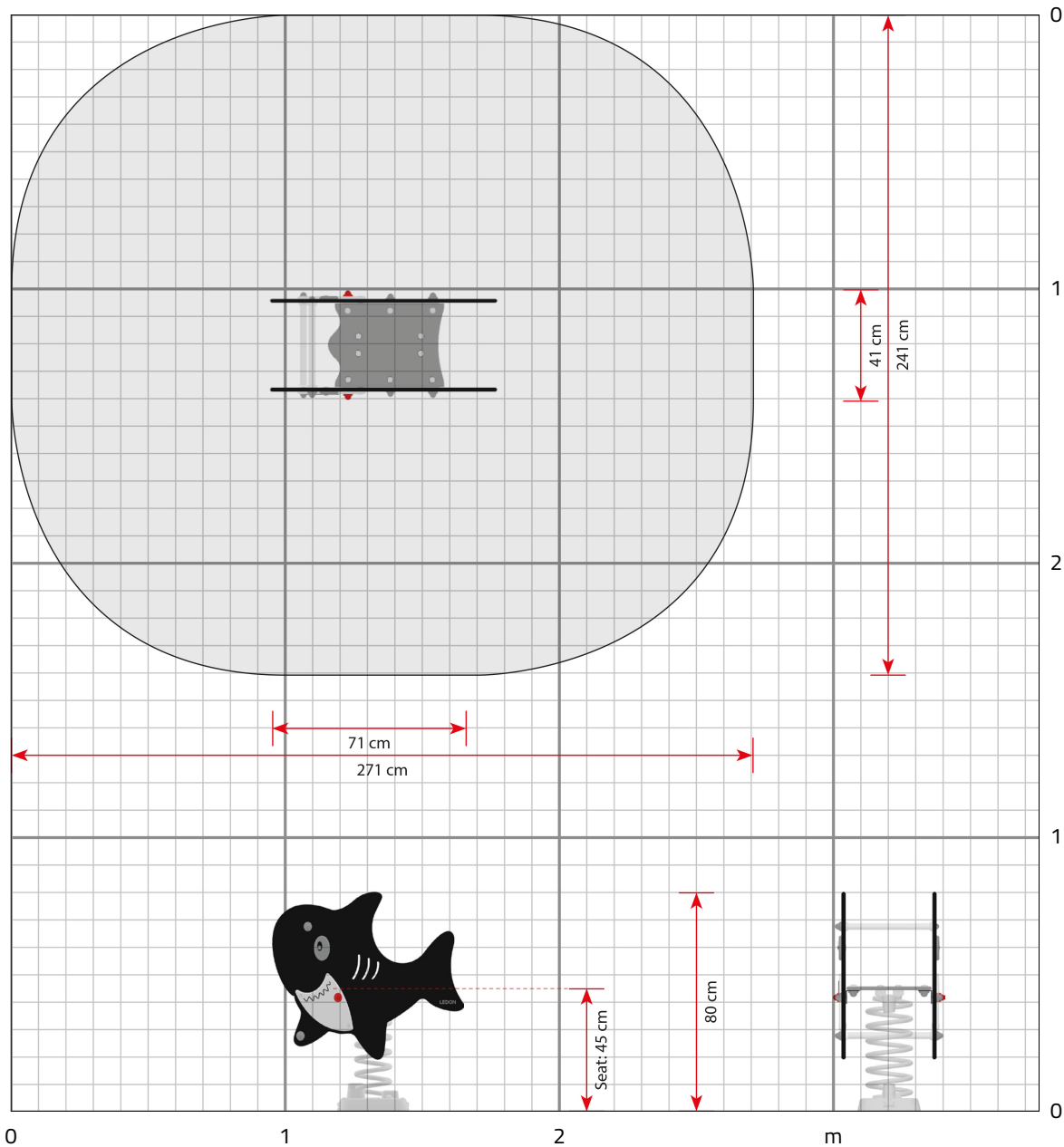
Phone: +45 7482 6565
info@ledonplay.com, www.ledonplay.com

Production / administration:
Vestergade 25, DK-6510 Gram

Sales / marketing / product development:
Nordkajen 21, DK-6000 Kolding

300112 Shark

Scale 1:25
(when printed at 100%)



Made in Denmark
[Read more](#)



Developed with children
[Read more](#)



Low-maintenance
[Read more](#)



Fully certified
[Read more](#)



Phone: +45 7482 6565
info@ledonplay.com, www.ledonplay.com

Production / administration:
Vestergade 25, DK-6510 Gram

Sales / marketing / product development:
Nordkajen 21, DK-6000 Kolding