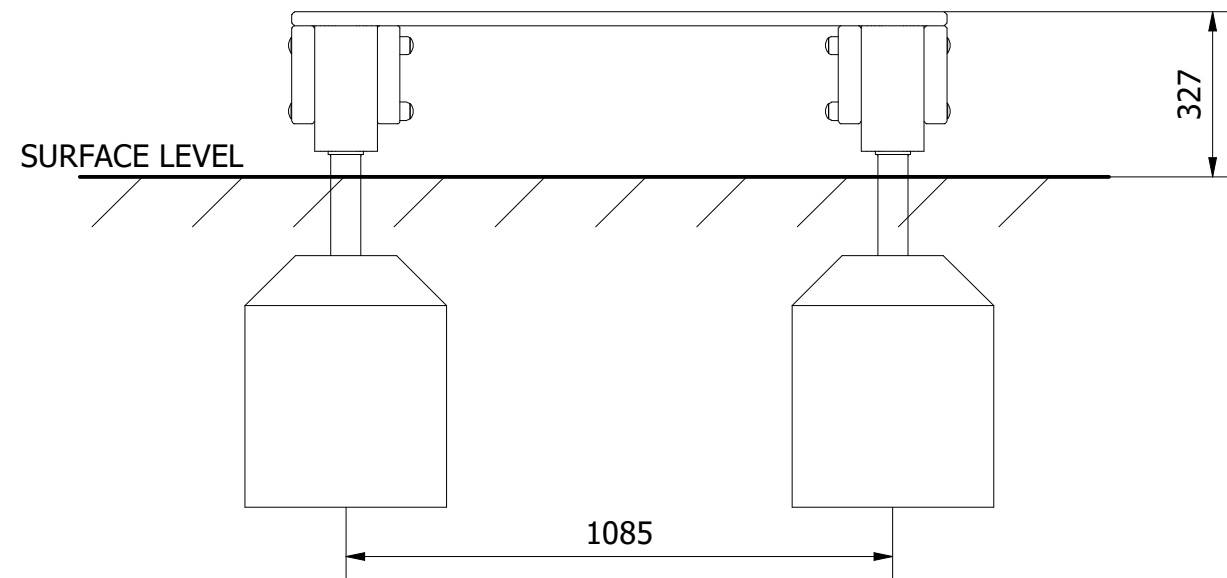
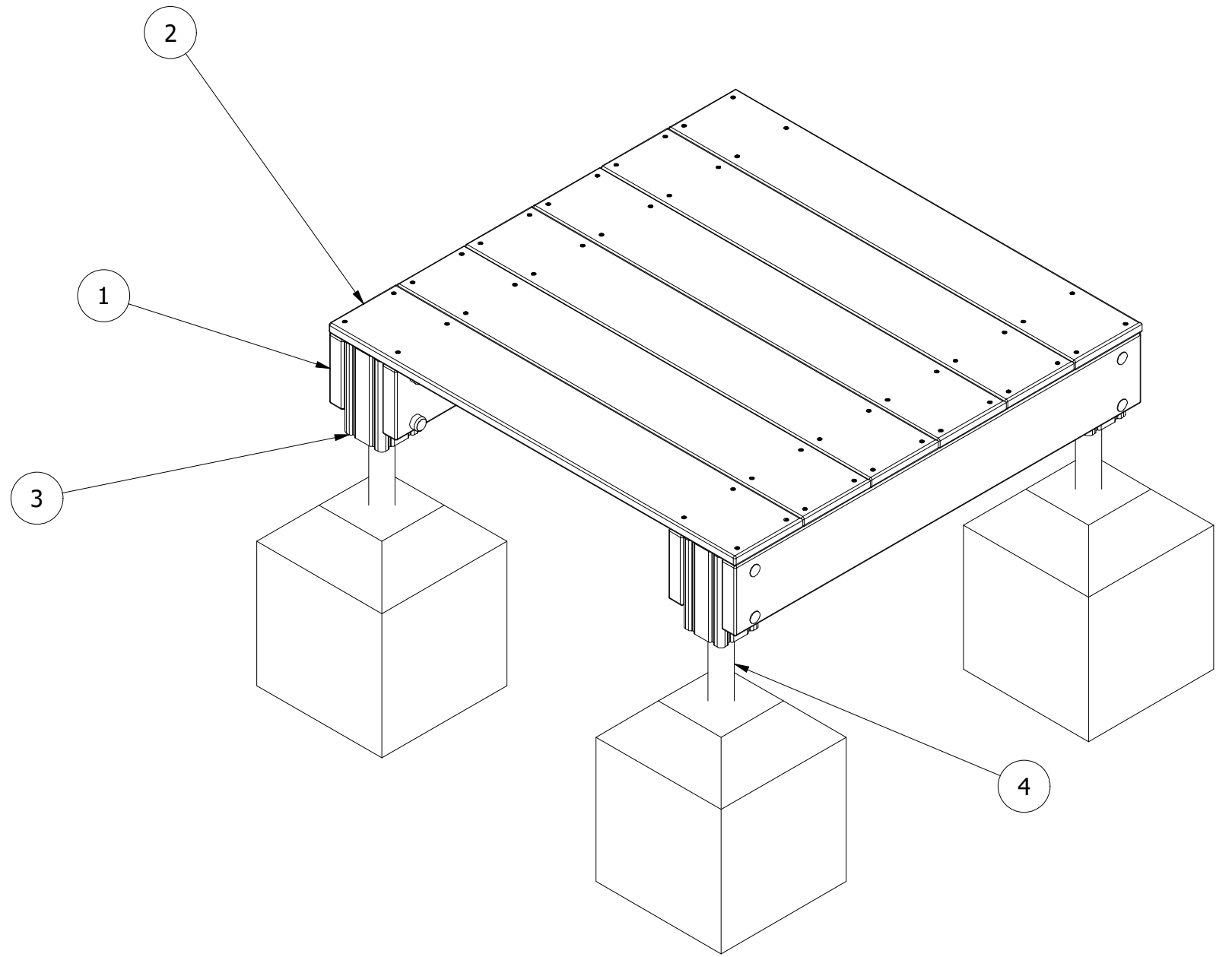
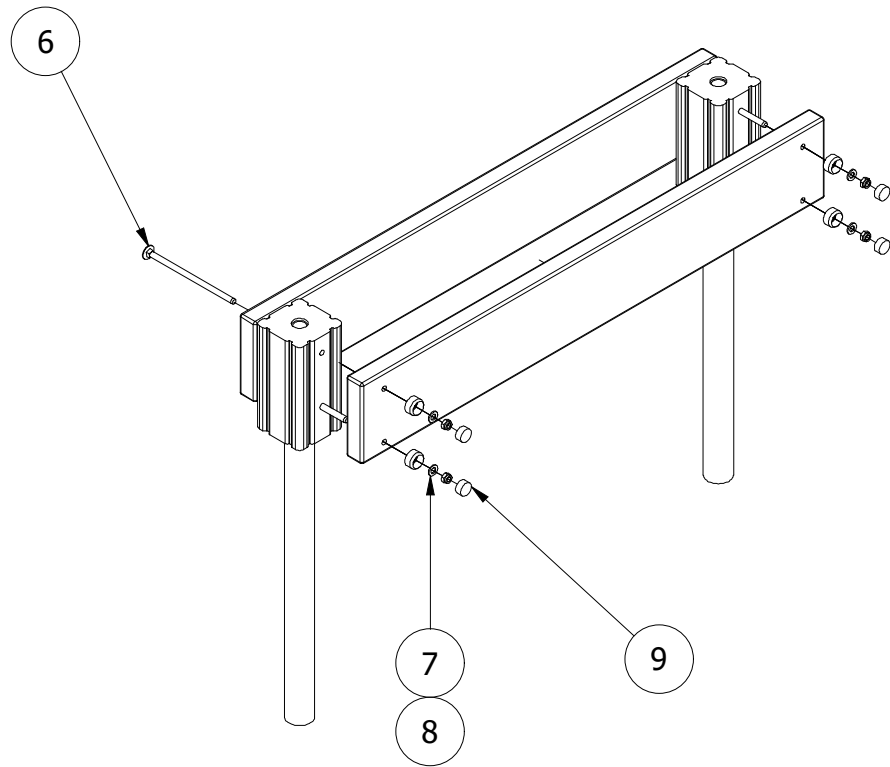


PARTS LIST

ITEM	QTY	PART NUMBER	DESCRIPTION
1	4	TB-200-208	1300 X 195 X 45 FRONT SUPPORT
2	6	TB-200-1234	1300 X 217 X 27
3	4	TB-200-1235	250 x 125MM SAFALOG
4	4	ART. 1500 1000 GROUND POST	GROUND SHOE
5	48	M6 X 50 TORX WOODSCREW	50MM TORX WOODSCREW
6	8	M12 X 240 COACH BOLT	M12 x 240 (DIN 603)
7	8	M12 WASHER	M12 WASHER (DIN 125)
8	8	M12 NYLOC NUT	M12 NYLOC NUT (DIN 985)
9	8	2 PART CAP (BLACK)	TWO PART CAP
10	4	400 x 400 x 500	0.08 <sup>3</sup> CONCRETE FOUNDATION



UNLESS OTHERWISE SPECIFIED:  
DIMENSIONS ARE IN MILLIMETERS  
TOLERANCES:  
LINEAR: ±2MM  
1 DECIMAL PLACE: ±0.5MM  
ANGULAR: ±1°

**PROPRIETARY AND CONFIDENTIAL**  
THE INFORMATION CONTAINED IN THIS  
DRAWING IS THE SOLE PROPERTY OF  
FENLAND LEISURE PRODUCTS. ANY  
REPRODUCTION IN PART OR AS A WHOLE  
WITHOUT THE WRITTEN PERMISSION  
OF FENLAND  
LEISURE PRODUCTS IS PROHIBITED.



Title: MOD-600-217 EMBANKMENT PLATFORM

Product Range: EMBANKMENT SLIDE

Date:  
08/08/2023

Page: 1

A3

DO NOT SCALE FROM DRAWING

Tel: 01354 638359 www.onlineplaygrounds.co.uk