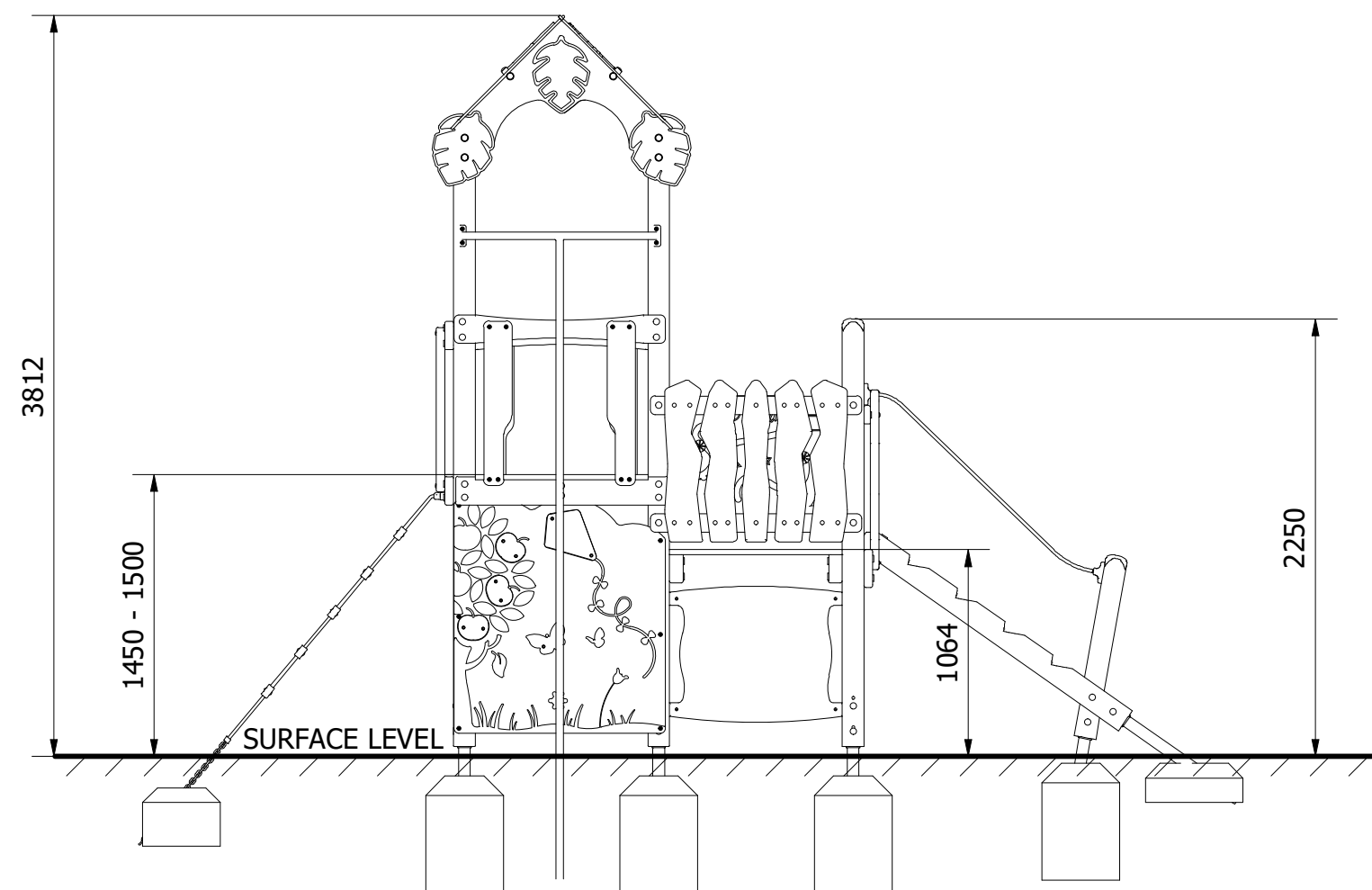
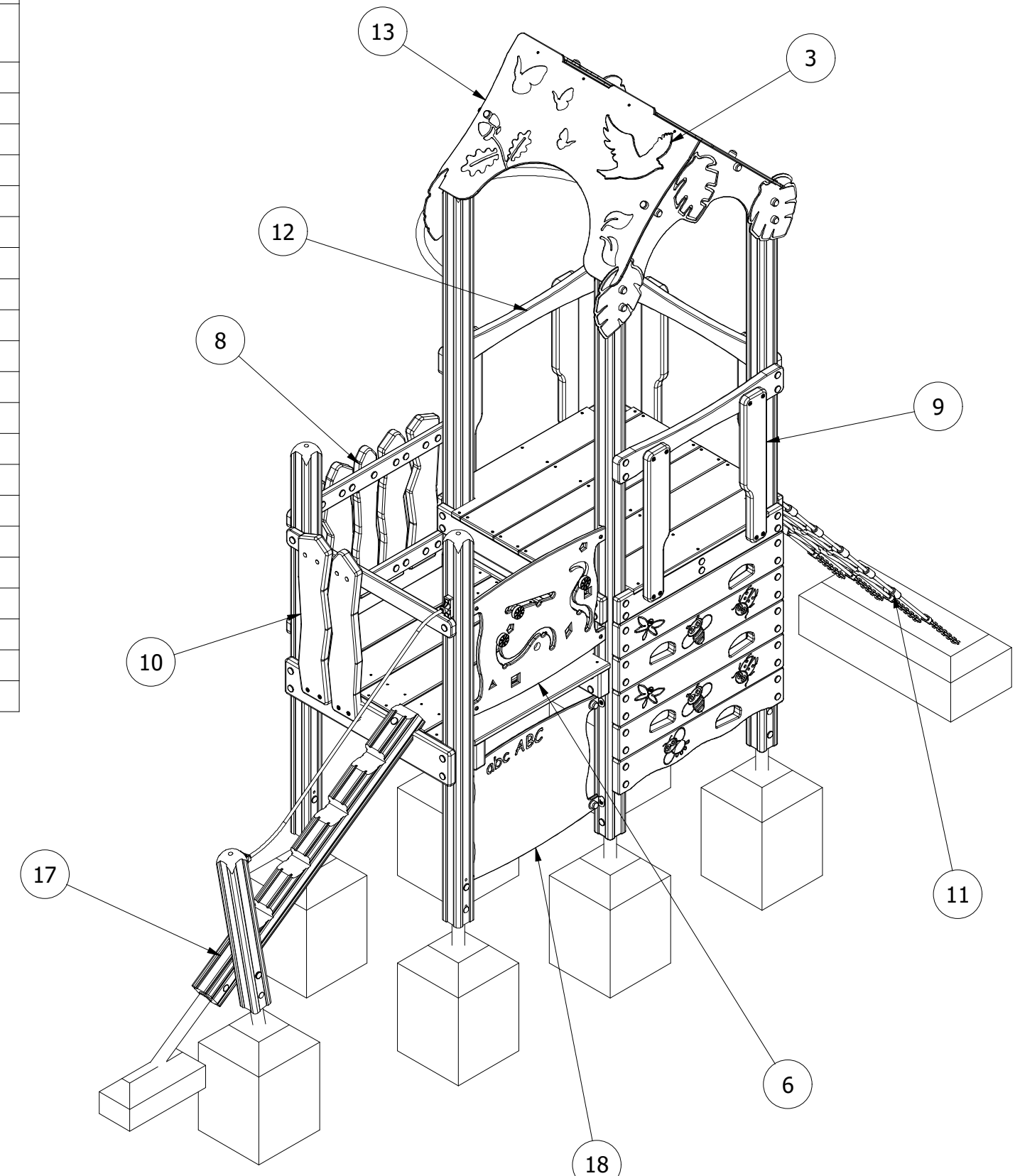

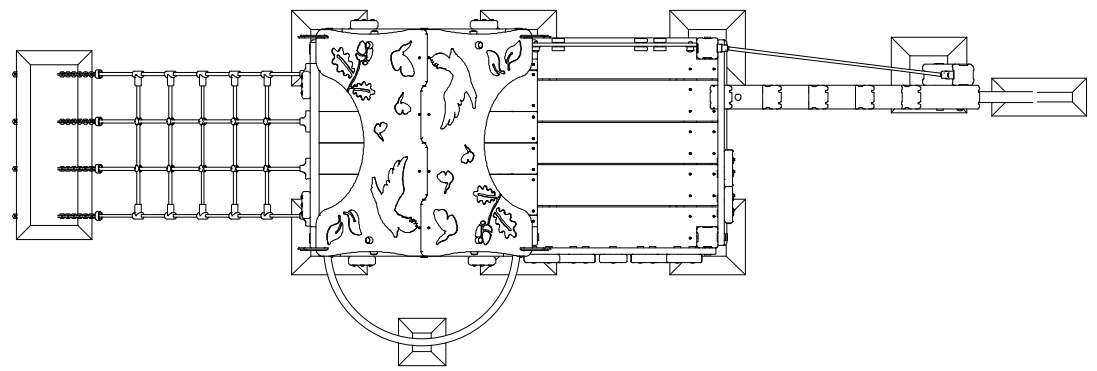
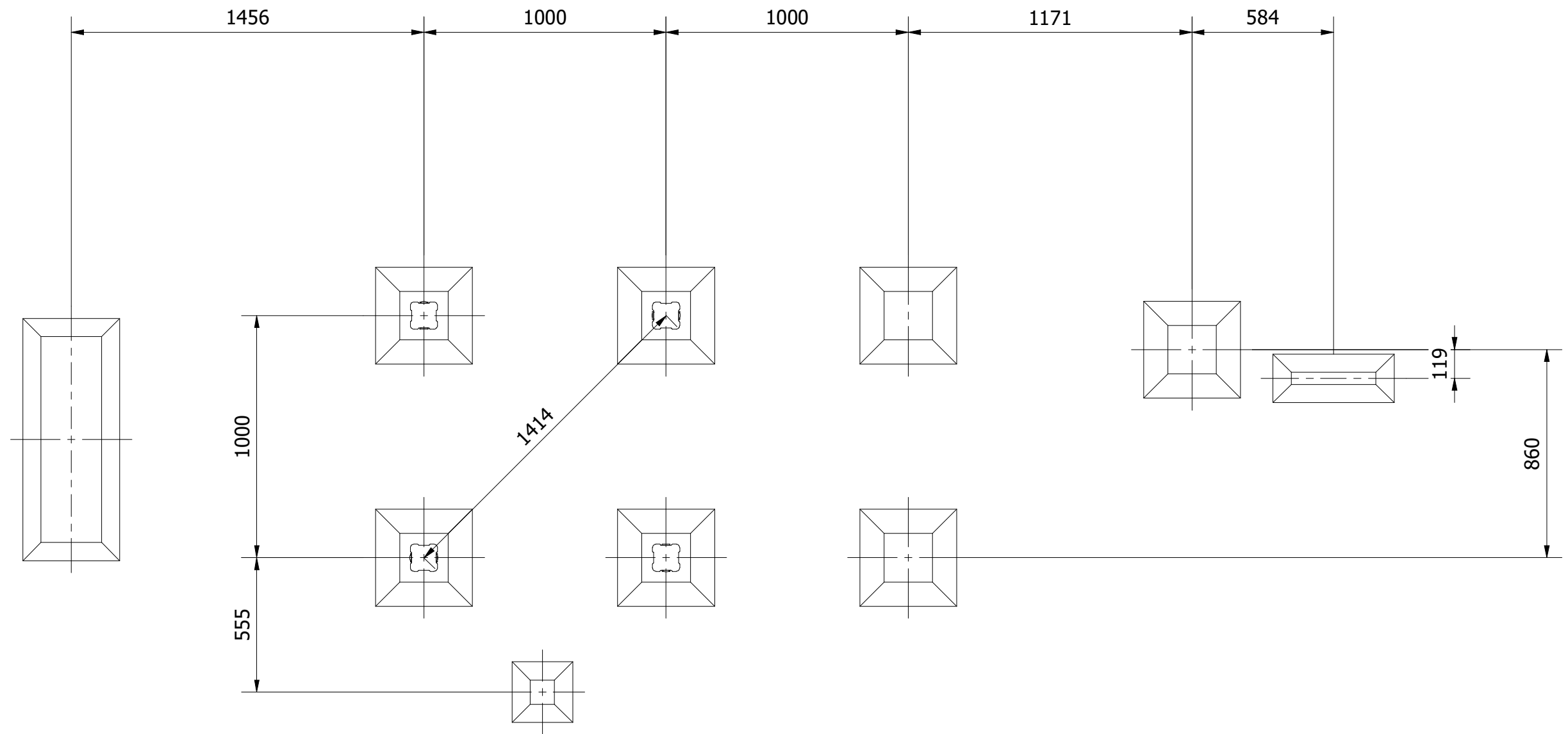


PARTS LIST

ITEM	QTY	PART NUMBER	DESCRIPTION	STOCK NUMBER
1	2	TB-200-032_B	2700 (2200 PF) X 112MM SAFALOG	COMTIMSAF0002
2	4	TB-200-557_B	3700 (3200 PF) x 112mm Safalog	COMTIMSAF0002
3	2	PE-400-200	425 X 340 BIRD	COMHDPEYRY19
4	2	TB-200-701	888 x 120 X 33	COMTIMSAW0017
5	8	M6 X 70 TORX WOODSCREW	70MM TORX WOODSCREW	COMA2WS6X70
6	1	MOD-600-063 SHAPES PLAY PANEL	PLAY SHAPES PANEL	
7	6	MOD-600-116 GROUND FOOT	GROUND FOOT (112)	SUBSTEMIS0004
8	1	MOD-600-125 JUNGLE BARRIER	JUNGLE BARRIER	
9	1	MOD-600-130 1.5M CLIMBING WALL	1.5M CLIMBING WALL	
10	1	MOD-600-133 HALF JUNGLE BARRIER_LH	JUNGLE BARRIER	
11	1	MOD-600-134 1.5M ORCHARD SCRAMBLE NET	1.5M SCRAMBLE NET	
12	1	MOD-600-136 ORCHARD FIREMANS POLE_1500	FIREMANS POLE	
13	1	MOD-600-138 ORCHARD ROOF	ORCHARD ROOF	
14	1	MOD-600-164 CASTLE BASIC DECK	CASTLE BASIC DECK	
15	2	MOD-600-176 DECK FASCIA	DECK FASCIA	
16	1	MOD-600-192 TIMBER MULTIPLAY DECK	1200 X 1200 DECK	
17	1	MOD-600-212 1M POST CLIMBER		
18	1	MOD-600-213 CHALKBOARD PLAY PANEL	CHALKBOARD PLAY PANEL	
19	6	400 x 400 x 600	0.096M ³ CONCRETE FOUNDATION	
18	1	TIMBER STAIN - BROWN		
19	1	TIMBER STAIN - GREEN		



UNLESS OTHERWISE SPECIFIED: DIMENSIONS ARE IN MILLIMETERS TOLERANCES: LINEAR: ±2MM 1 DECIMAL PLACE: ±0.5MM ANGULAR: ±1°	PROPRIETARY AND CONFIDENTIAL THE INFORMATION CONTAINED IN THIS DRAWING IS THE SOLE PROPERTY OF FENLAND LEISURE PRODUCTS. ANY REPRODUCTION IN PART OR AS A WHOLE WITHOUT THE WRITTEN PERMISSION OF FENLAND LEISURE PRODUCTS IS PROHIBITED.	Title: PRO-500-264 GOOSEBERRY MULTIPLAY	
		Product Range: MULTIPLAY TOWER	
		1.5M FFH	Date: 15/11/2022
		DO NOT SCALE FROM DRAWING	
		Tel: 01354 638359 www.onlineplaygrounds.co.uk	
		Page: 1	A3



UNLESS OTHERWISE SPECIFIED: DIMENSIONS ARE IN MILLIMETERS TOLERANCES: LINEAR: ±2MM 1 DECIMAL PLACE: ±0.5MM ANGULAR: ±1°	PROPRIETARY AND CONFIDENTIAL THE INFORMATION CONTAINED IN THIS DRAWING IS THE SOLE PROPERTY OF FENLAND LEISURE PRODUCTS. ANY REPRODUCTION IN PART OR AS A WHOLE WITHOUT THE WRITTEN PERMISSION OF FENLAND LEISURE PRODUCTS IS PROHIBITED.	Title: PRO-500-264 GOOSEBERRY MULTIPLAY	
		Product Range: MULTIPLAY TOWER	
		Date: 15/11/2022	
		Page: 2	
		A3	
		DO NOT SCALE FROM DRAWING	
		Tel: 01354 638359 www.onlineplaygrounds.co.uk	