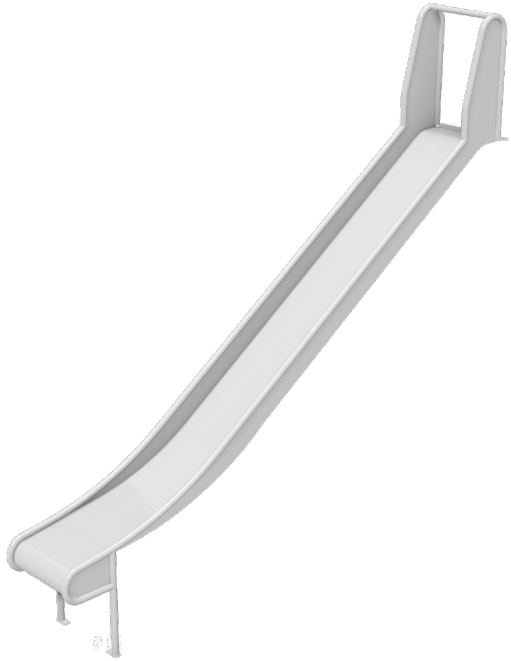
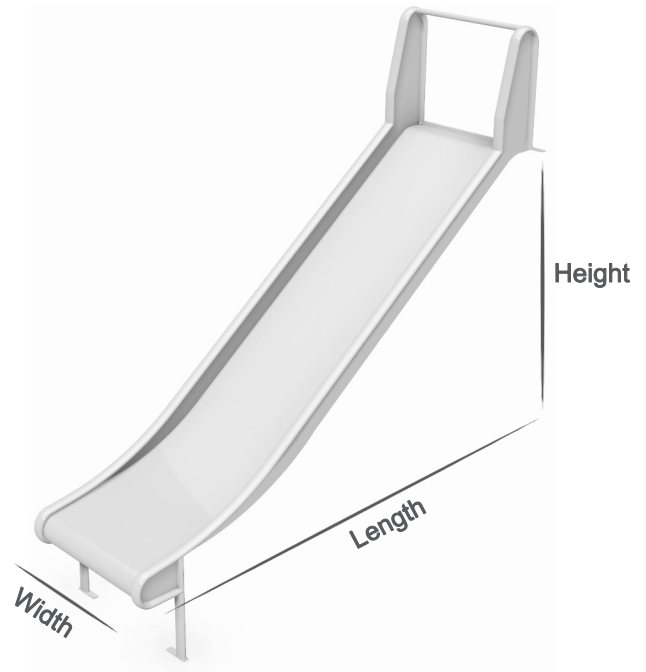


Our slides are manufactured from 2mm 304 stainless steel sheet with a 38mm diameter safety bar and 25mm diameter top safety rail where required.



SL1 - Standard Width



SL3 - Double Width

Standard Width

Product Code	Description	Height	Length	Width	Weight
SL1-090	Stainless steel slide with wings	0.9-1m	2.08m	0.5m	51kg
SL1-125	Stainless steel slide with wings	1.25-1.5m	2.60m	0.5m	62kg
SL1-175	Stainless steel slide with wings	1.75-2m	3.33m	0.5m	72kg
SL1-225	Stainless steel slide with wings	2.25-2.5m	4.04m	0.5m	83kg

Double Width

Product Code	Description	Height	Length	Width	Weight
SL3 - 090	Stainless steel slide with wings double width	0.9-1m	2.08m	1.05m	94kg
SL3-125	Stainless steel slide with wings double width	1.25-1.5m	2.60m	1.05m	120kg
SL3-175	Stainless steel slide with wings double width	1.75-2m	3.33m	1.05m	135kg
SL3-225	Stainless steel slide with wings double width	2.25-2.5m	4.04m	1.05m	180kg



Each of our stainless steel slides are delivered in one piece attached to a specially made pallet to make installation and delivery straightforward.

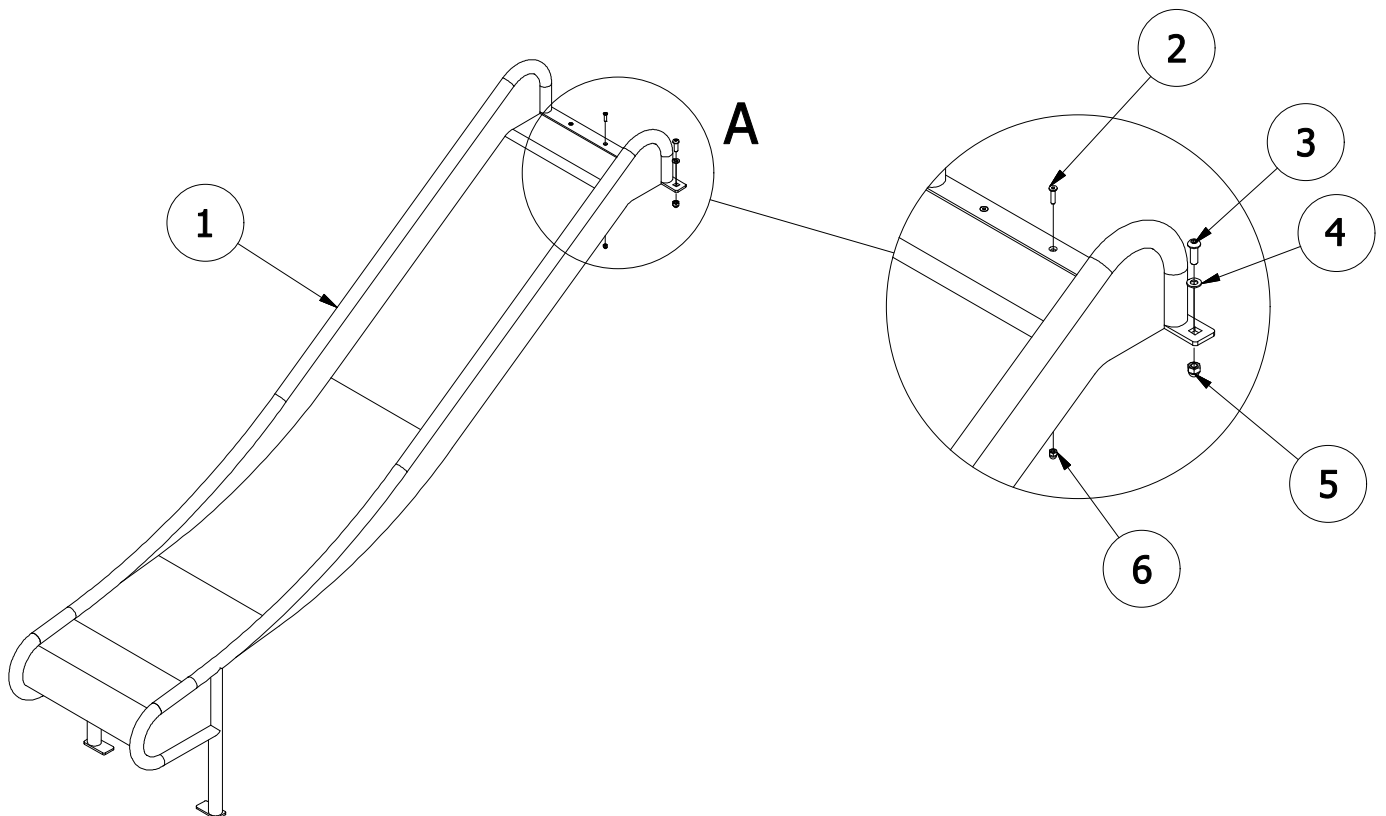
The slide can be fixed to the sliding platform by means of 2 large and 4 smaller fixings (as detailed below) with the base slide legs being simply concreted in. Please note NO fixings are supplied with the slide.

Required fixings for platform mounting onto Hexadeck (18mm)

- | | |
|----------------------------------|------------------|
| 1 - Chosen stainless steel slide | 4 - M10 Washer |
| 2 - M6 x 25 CSK Socket Bolt | 5 - M10 Dome Nut |
| 3 - M10 x 40 Coach Bolt | 6 - M6 Dome Nut |

Required fixings for platform mounting onto timber (45mm)

- | | |
|----------------------------------|-------------------------------------|
| 1 - Chosen stainless steel slide | 4 - M10 Washer |
| 2 - M6 x 40 CSK Socket Woodscrew | 5 - M10 Dome Nut |
| 3 - M10 x 60 Coach Bolt | 6 - N/A (when mounting into timber) |



We also supply a number of different slide types including tube, plastic and double width slides. Contact us to find out more.

