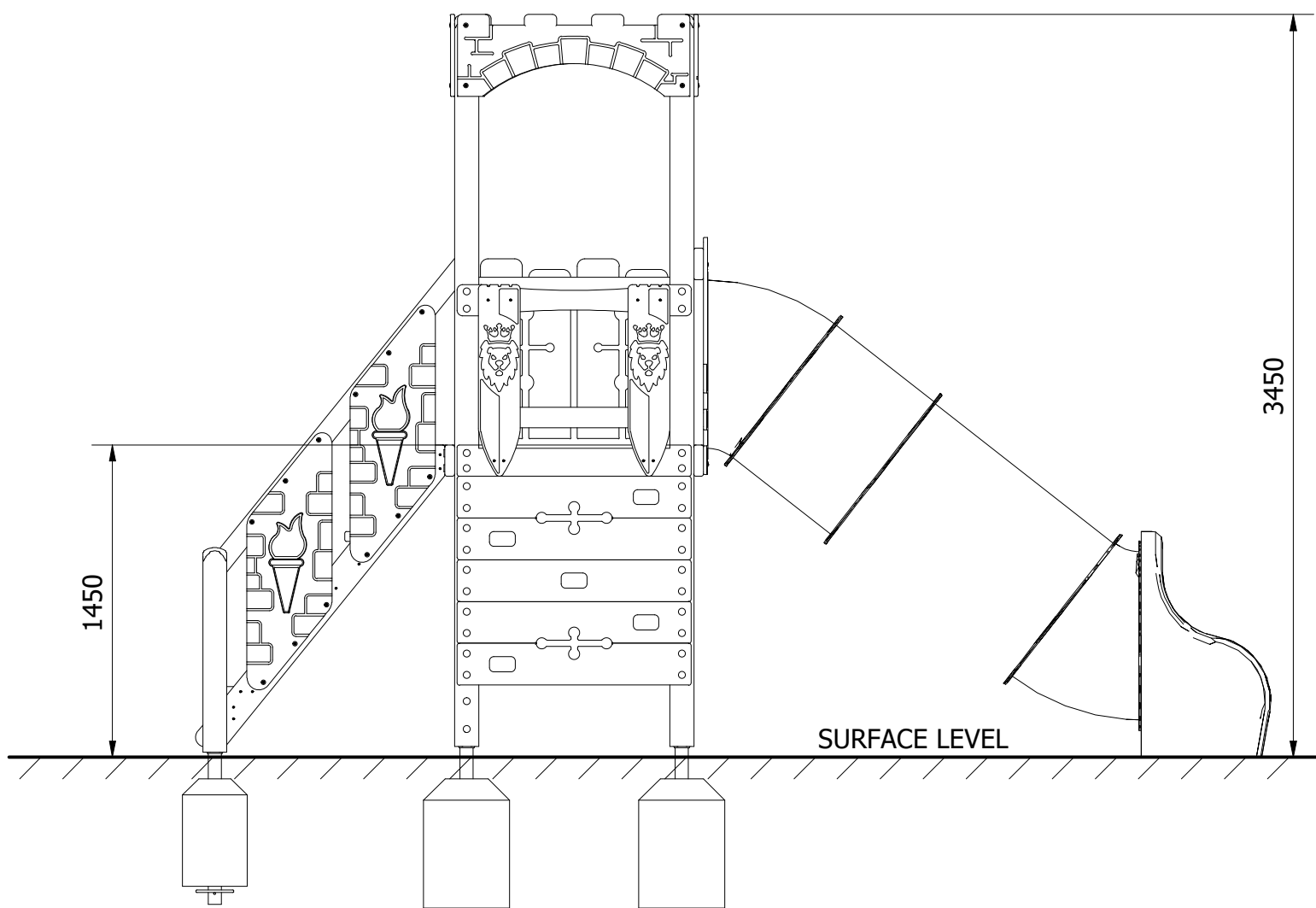
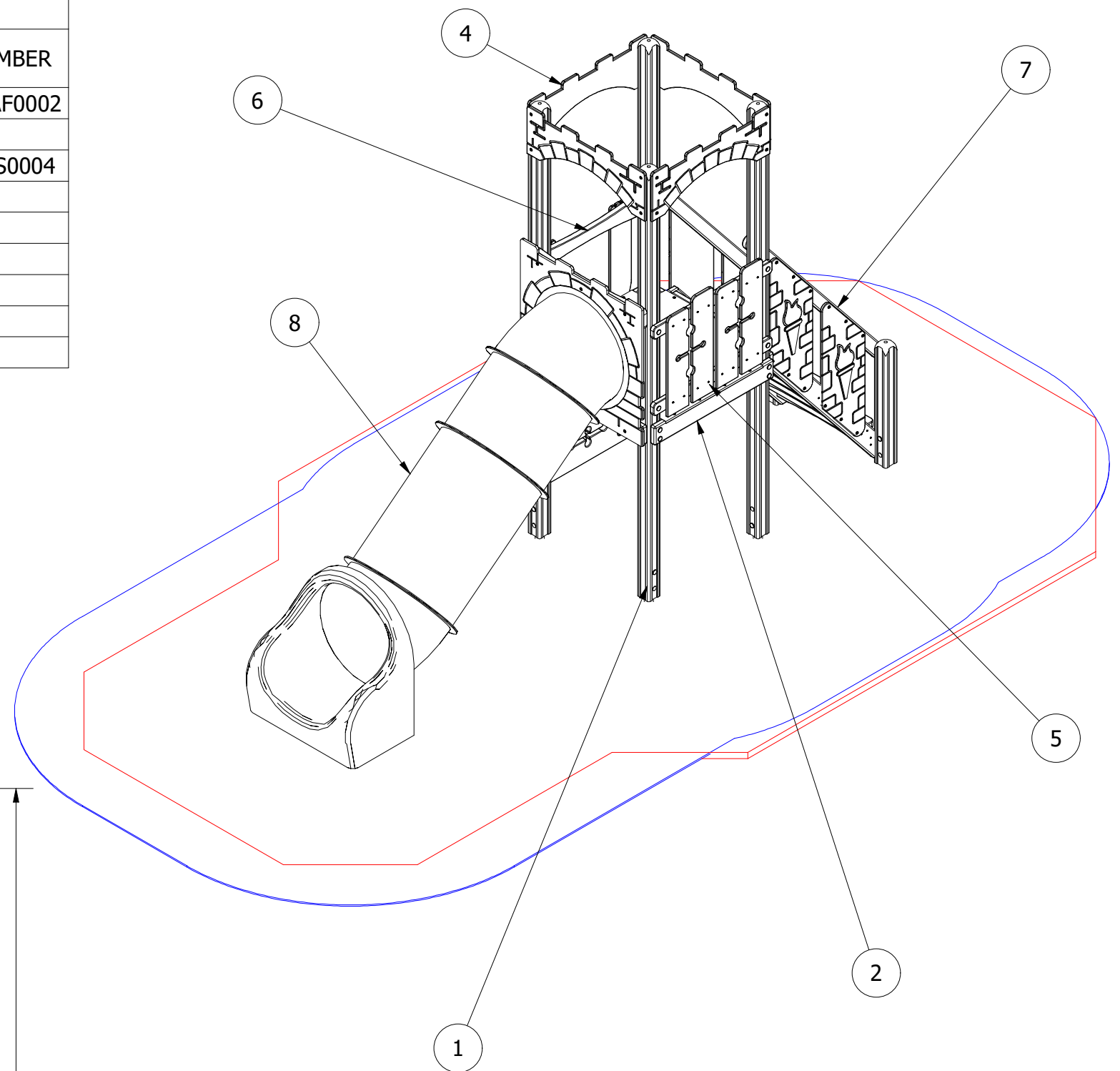


PARTS LIST

ITEM	QTY	PART NUMBER	DESCRIPTION	STOCK NUMBER
1	4	TB-200-873	3400 X 112MM (POST INSERT)	COMTIMSAF0002
2	1	MOD-600-044 MULTIPLAY DECK	1200 X 1200 DECK	
3	4	MOD-600-116 GROUND FOOT	GROUND FOOT (112)	SUBSTEMIS0004
4	1	MOD-600-154 CASTLE ROOF	CASTLE ROOF	
5	1	MOD-600-155 CASTLE BARRIER	CASTLE BARRIER	
6	1	MOD-600-160 1.5M CASTLE CLIMBING WALL	1.5M CLIMBING WALL	
7	1	MOD-600-182 1.5M CASTLE STAIRS	1.5M CASTLE STAIRS	
8	1	MOD-600-210 1.5M CASTLE TUBE SLIDE	1.5M CASTLE SLIDE	
9	4	400 x 400 x 600	0.096M <sup>3</sup> CONCRETE FOUNDATION	

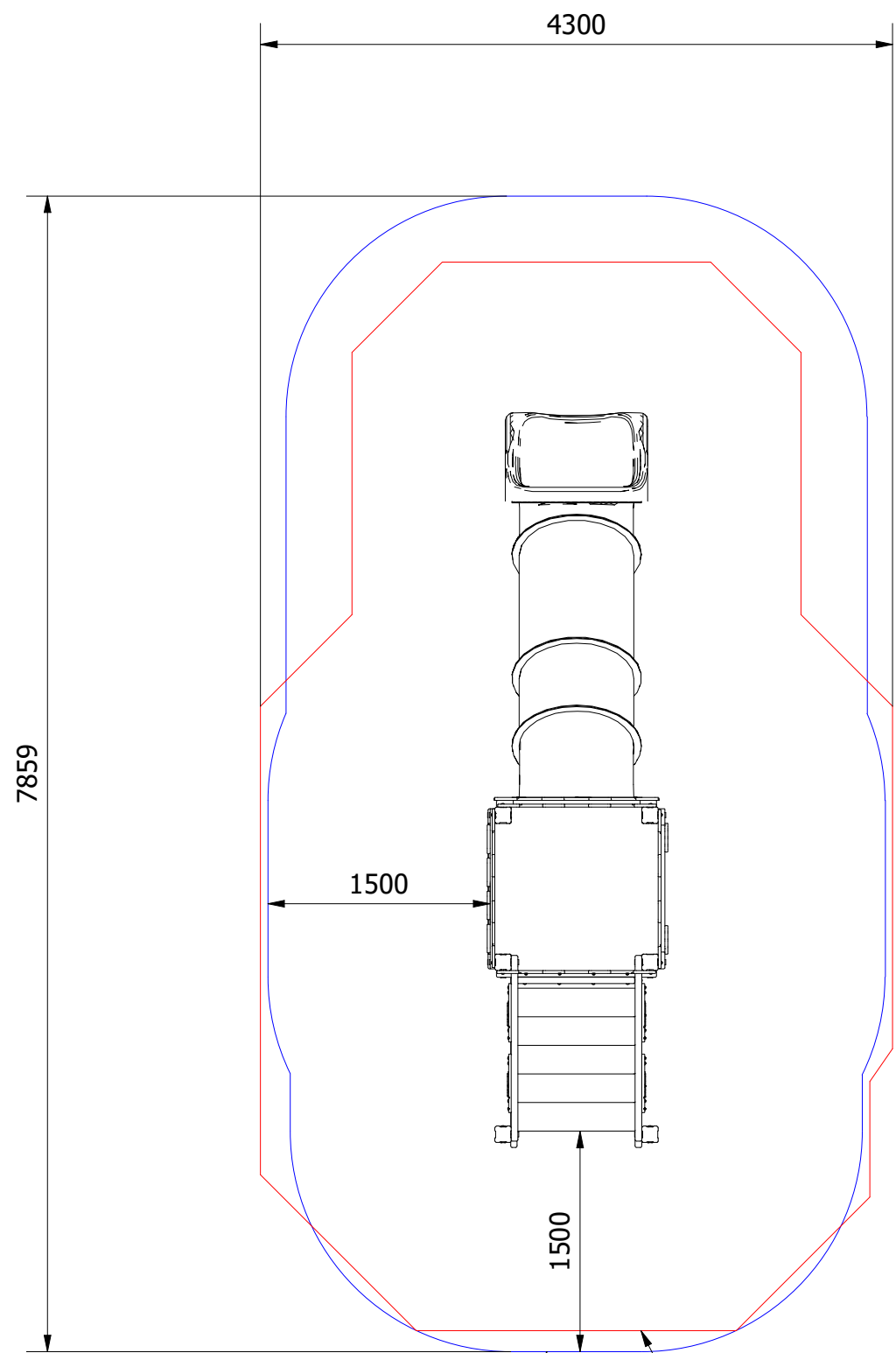


UNLESS OTHERWISE SPECIFIED:  
DIMENSIONS ARE IN MILLIMETERS  
TOLERANCES:  
LINEAR: ±2MM  
1 DECIMAL PLACE: ±0.5MM  
ANGULAR: ±1°

**PROPRIETARY AND CONFIDENTIAL**  
THE INFORMATION CONTAINED IN THIS DRAWING IS THE SOLE PROPERTY OF FENLAND LEISURE PRODUCTS. ANY REPRODUCTION IN PART OR AS A WHOLE WITHOUT THE WRITTEN PERMISSION OF FENLAND LEISURE PRODUCTS IS PROHIBITED.

Title: PRO-500-259 SIEGE CASTLE MULTIPLAY_TS		Date: 16/08/2022
Product Range: MULTIPLAY TOWER		Page: 1
1.5M FFH		A3
DO NOT SCALE FROM DRAWING		
Tel: 01354 638359 www.onlineplaygrounds.co.uk		

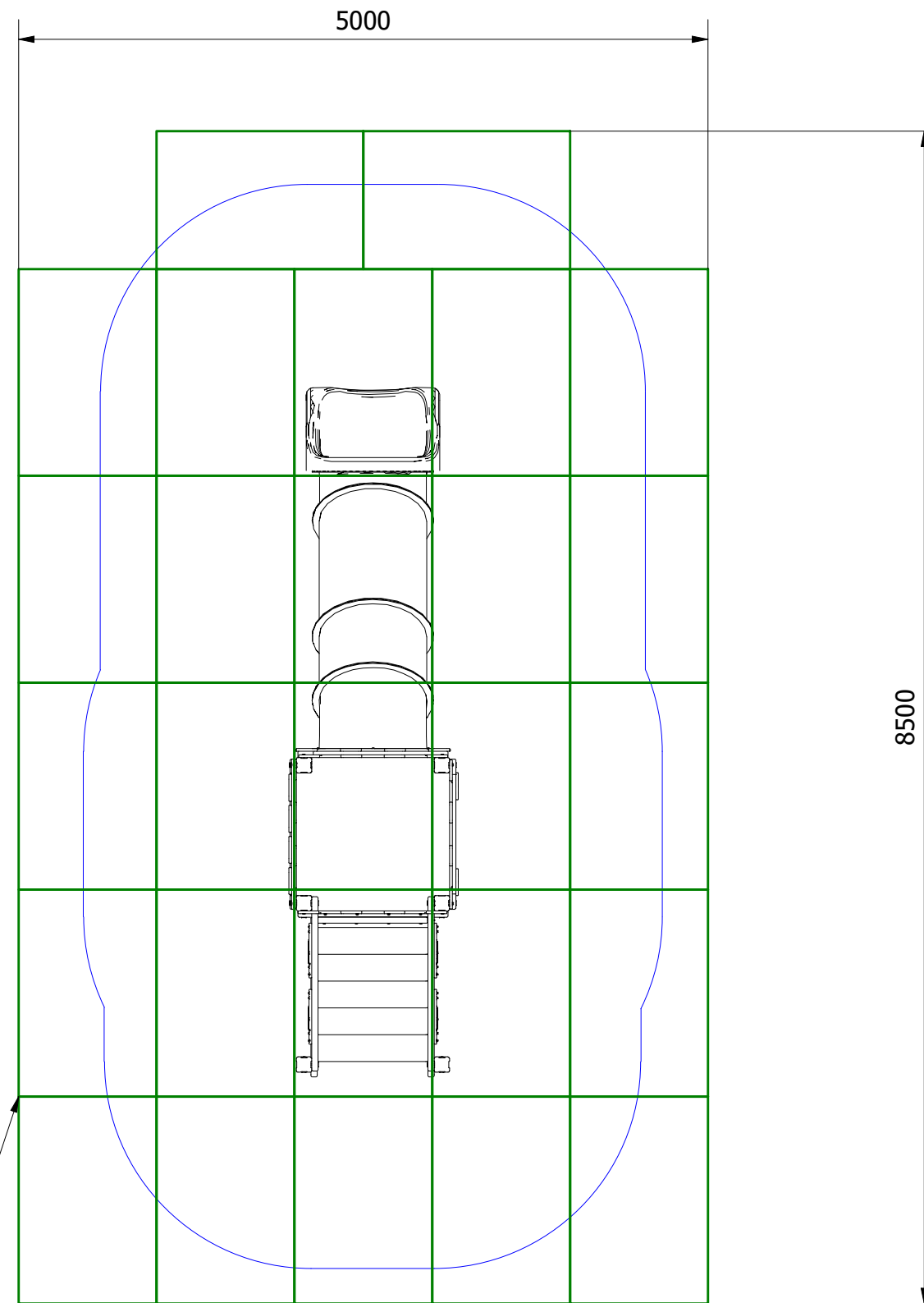




MIN SPACE

WETPOUR AREA = 26.5M<sup>2</sup>  
PERIMETER = 20.5 L/M

27 SAFAGRASS TILES (1.5 X 1.0M)



UNLESS OTHERWISE SPECIFIED:  
DIMENSIONS ARE IN MILLIMETERS  
TOLERANCES:  
LINEAR: ±2MM  
1 DECIMAL PLACE: ±0.5MM  
ANGULAR: ±1°

**PROPRIETARY AND CONFIDENTIAL**  
THE INFORMATION CONTAINED IN THIS  
DRAWING IS THE SOLE PROPERTY OF  
FENLAND LEISURE PRODUCTS. ANY  
REPRODUCTION IN PART OR AS A WHOLE  
WITHOUT THE WRITTEN PERMISSION  
OF FENLAND  
LEISURE PRODUCTS IS PROHIBITED.

Title: PRO-500-259 SIEGE CASTLE MULTIPLAY\_TS

Product Range: MULTIPLAY TOWER

Date:  
16/08/2022

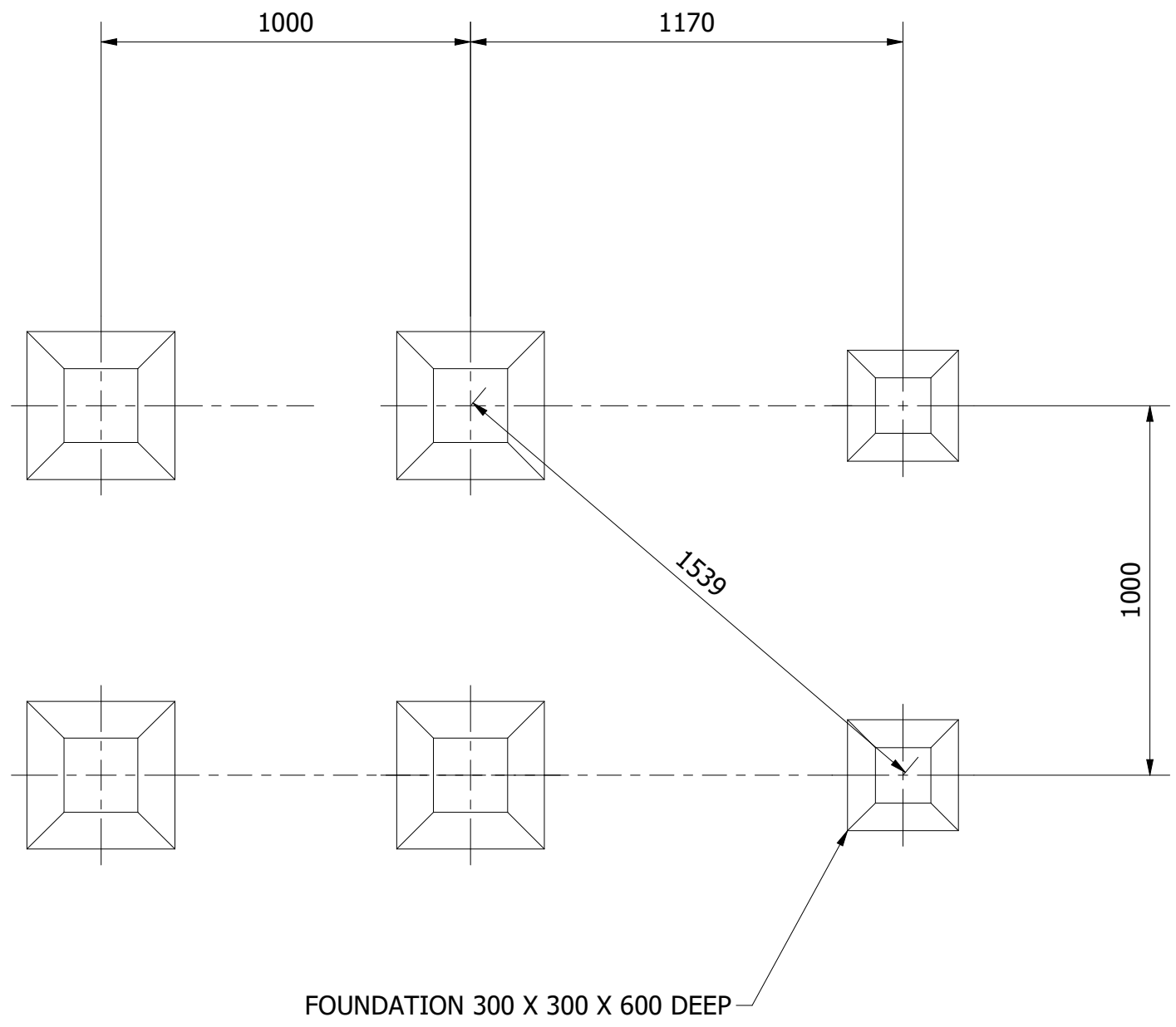
Page: 2

A3

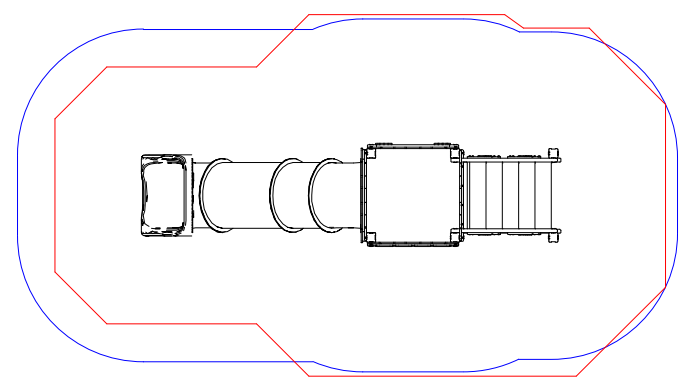


DO NOT SCALE FROM DRAWING

Tel: 01354 638359 www.onlineplaygrounds.co.uk

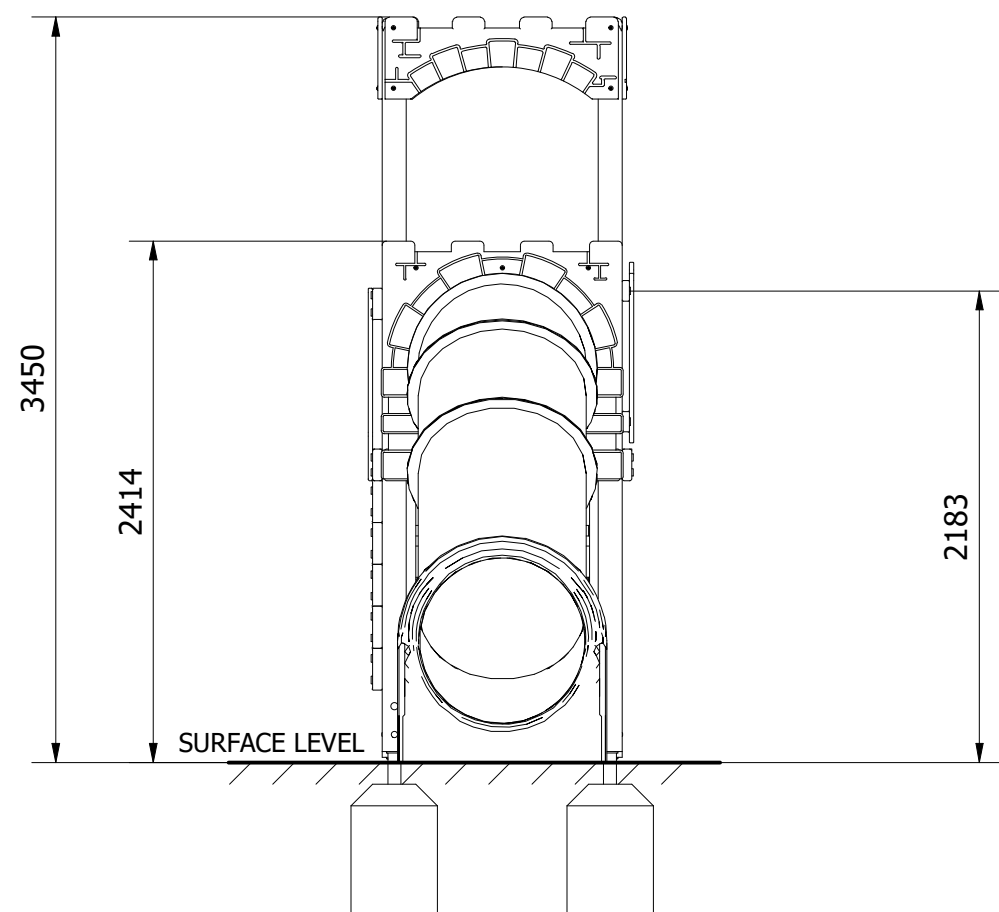
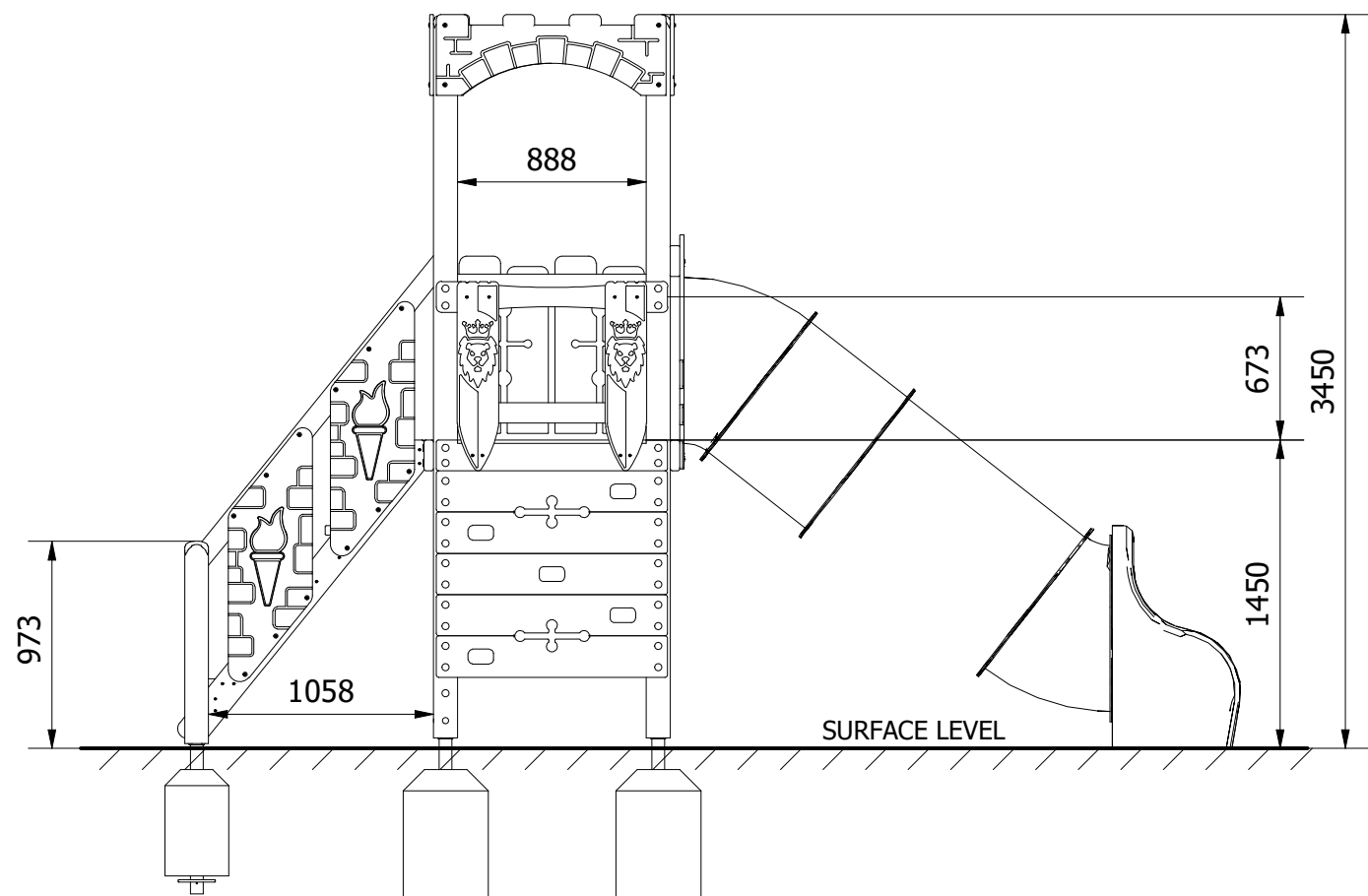


FOUNDATION 300 X 300 X 600 DEEP

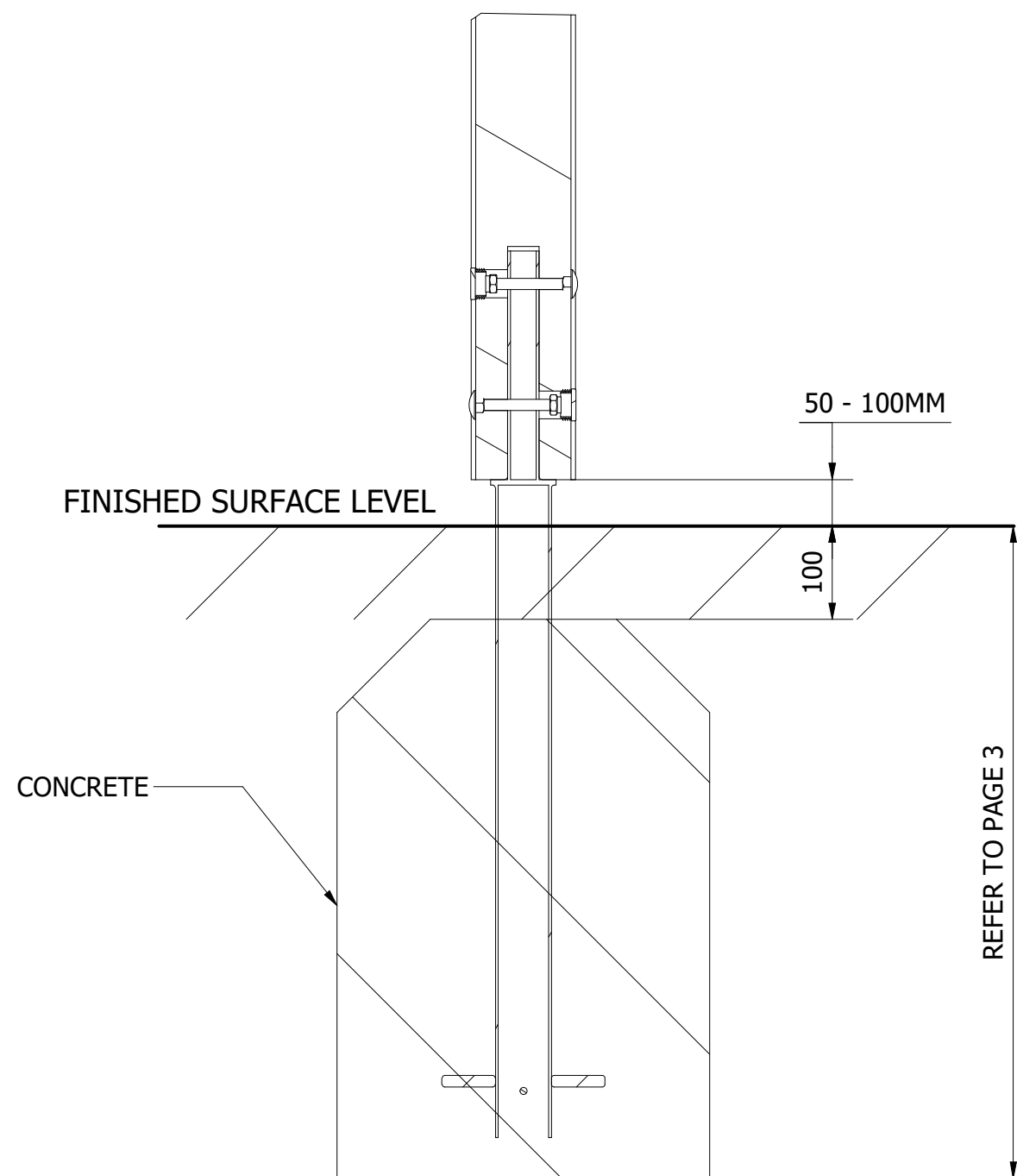


ALL FOUNDATIONS 400 X 400 X 700 DEEP UNLESS OTHERWISE SPECIFIED

UNLESS OTHERWISE SPECIFIED: DIMENSIONS ARE IN MILLIMETERS TOLERANCES: LINEAR: ±2MM 1 DECIMAL PLACE: ±0.5MM ANGULAR: ±1°	<b>PROPRIETARY AND CONFIDENTIAL</b> THE INFORMATION CONTAINED IN THIS DRAWING IS THE SOLE PROPERTY OF FENLAND LEISURE PRODUCTS. ANY REPRODUCTION IN PART OR AS A WHOLE WITHOUT THE WRITTEN PERMISSION OF FENLAND LEISURE PRODUCTS IS PROHIBITED.	Title: PRO-500-259 SIEGE CASTLE MULTIPLAY_TS	
		Product Range: MULTIPLAY TOWER	
		Date: 16/08/2022	
		Page: 3	
		A3	
DO NOT SCALE FROM DRAWING		Tel: 01354 638359 www.onlineplaygrounds.co.uk	



ENSURE UNIT IS LEVEL AND PLUMB, ALL FIXINGS HAVE BEEN TIGHTENED AND PROTECTIVE CAPS IN PLACE. ADD CONCRETE TO EACH FOUNDATION HOLE AND LEAVE FOR 48 HOURS.



UNLESS OTHERWISE SPECIFIED:  
DIMENSIONS ARE IN MILLIMETERS  
TOLERANCES:  
LINEAR: ±2MM  
1 DECIMAL PLACE: ±0.5MM  
ANGULAR: ±1°

**PROPRIETARY AND CONFIDENTIAL**  
THE INFORMATION CONTAINED IN THIS DRAWING IS THE SOLE PROPERTY OF FENLAND LEISURE PRODUCTS. ANY REPRODUCTION IN PART OR AS A WHOLE WITHOUT THE WRITTEN PERMISSION OF FENLAND LEISURE PRODUCTS IS PROHIBITED.

Title: PRO-500-259 SIEGE CASTLE MULTIPLAY\_TS

Product Range: MULTIPLAY TOWER

Date:  
16/08/2022

Page: 4

A3



DO NOT SCALE FROM DRAWING

Tel: 01354 638359 www.onlineplaygrounds.co.uk