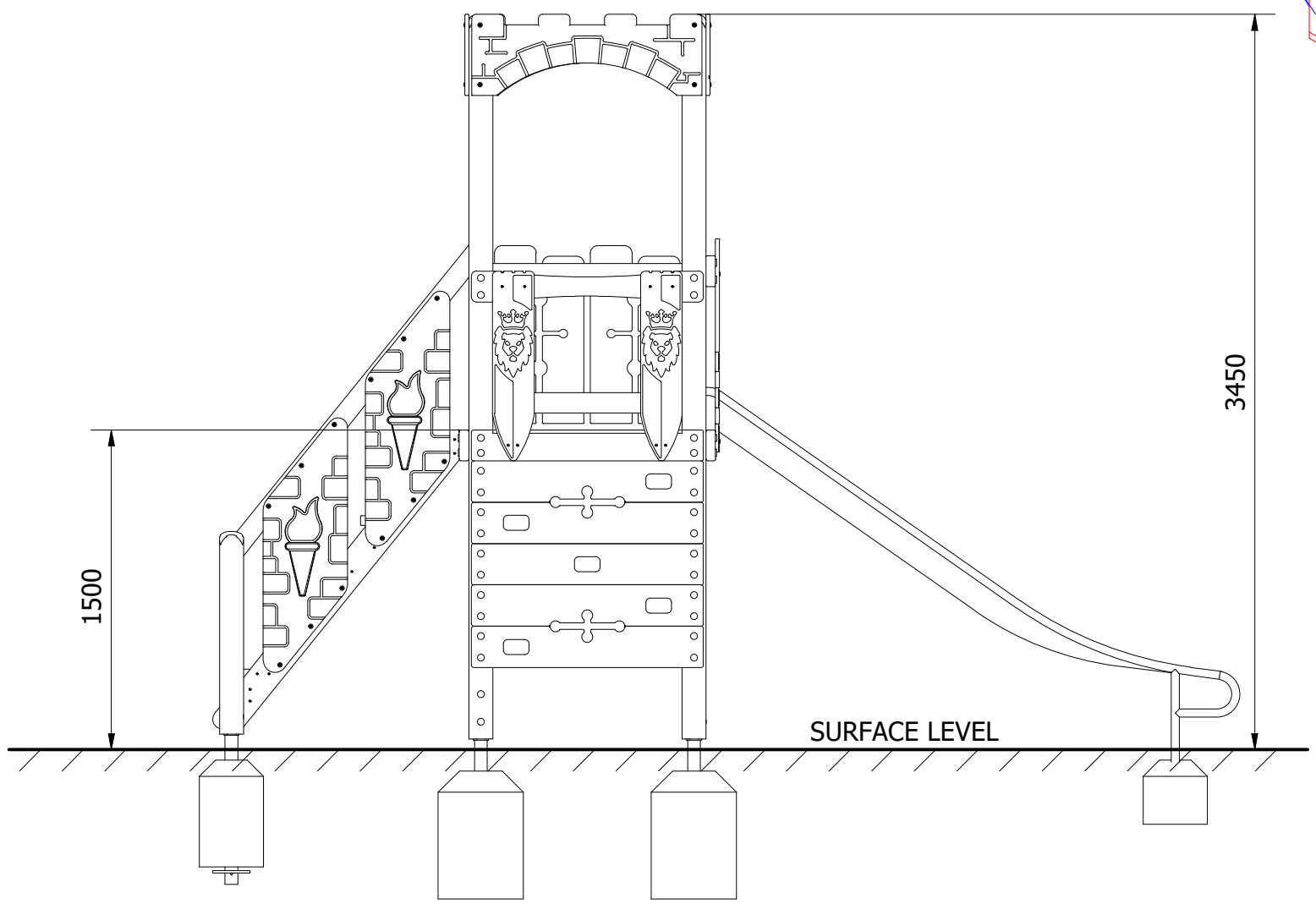
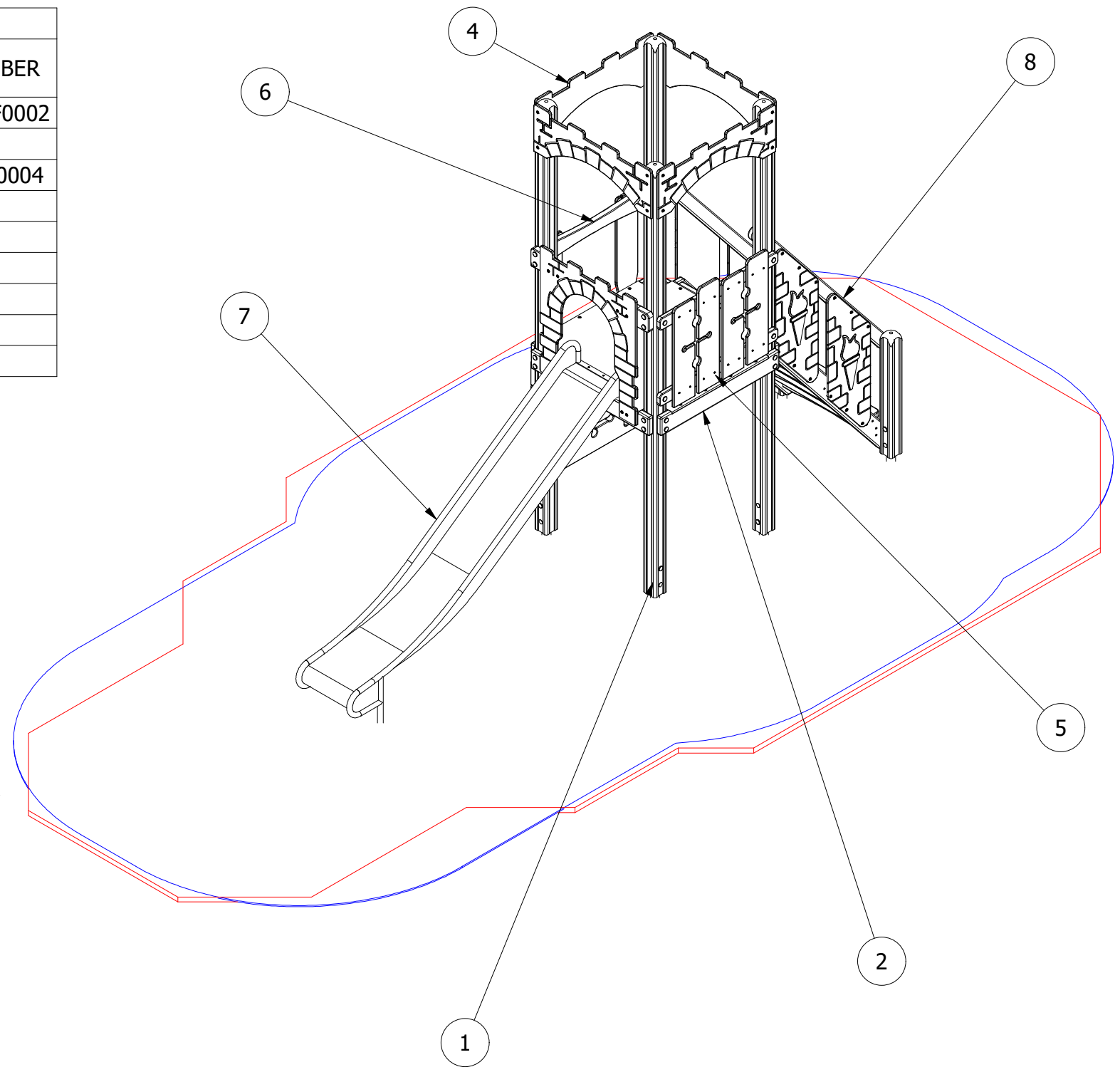
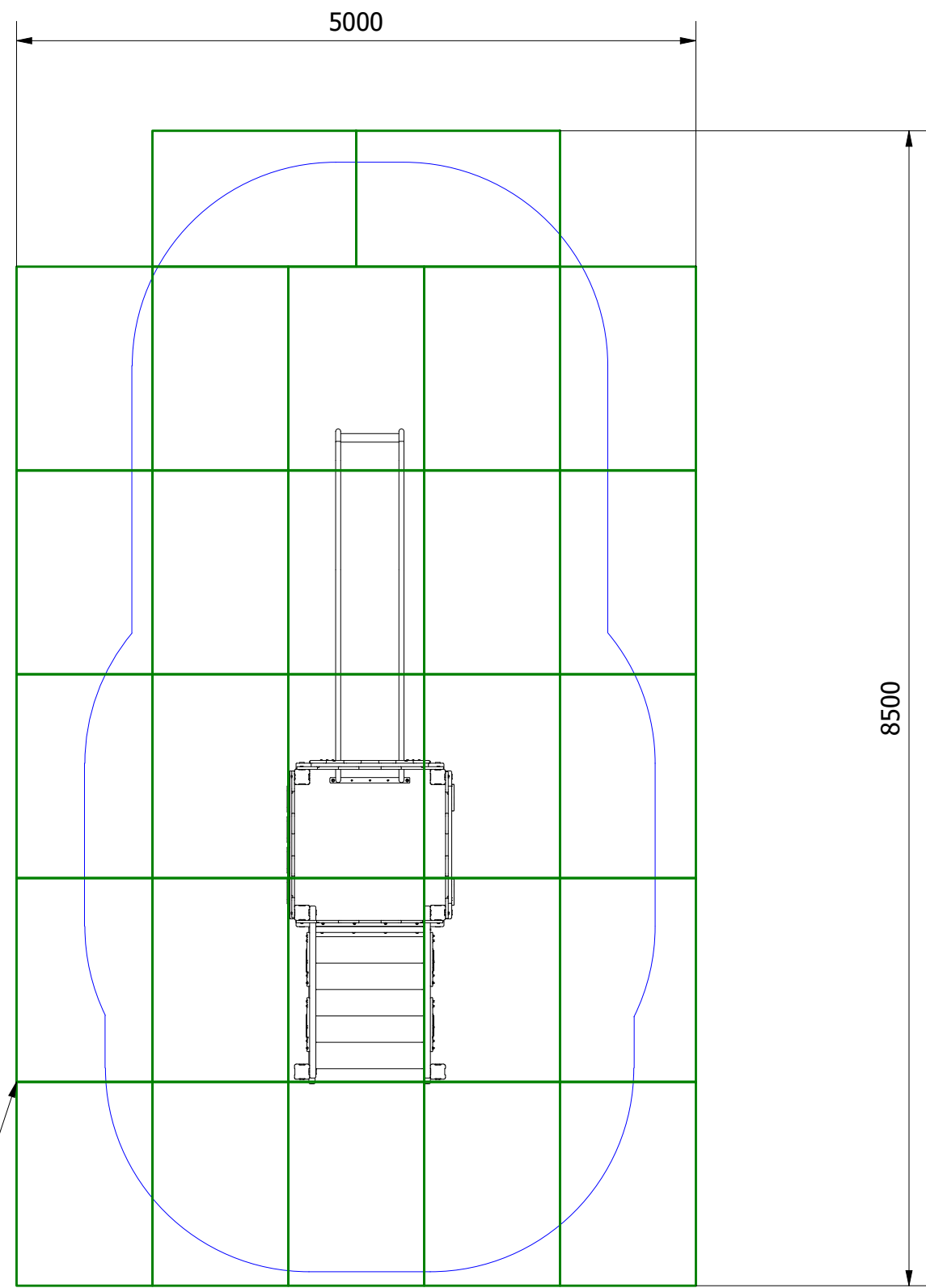
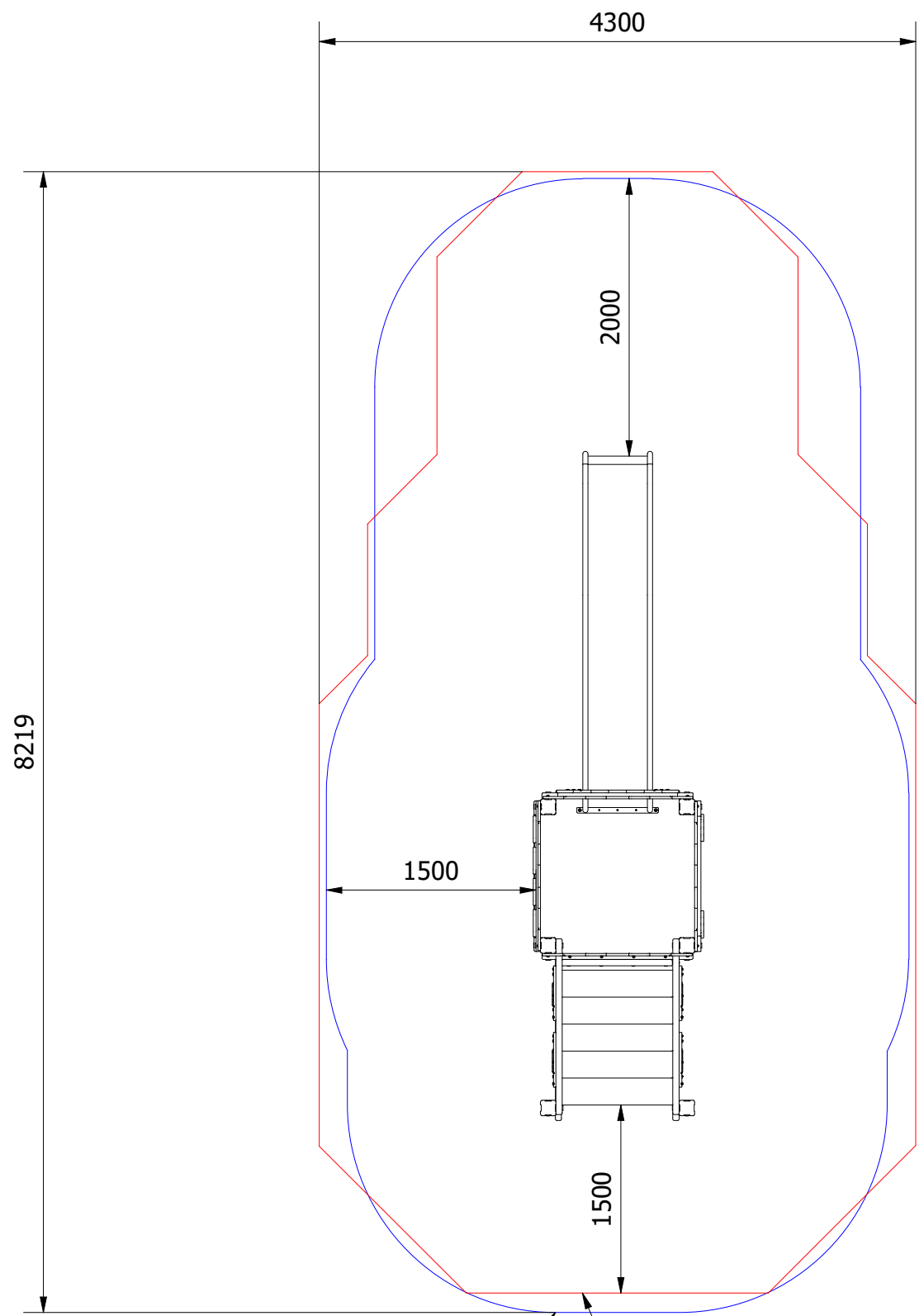


PARTS LIST

ITEM	QTY	PART NUMBER	DESCRIPTION	STOCK NUMBER
1	4	TB-200-873	3400 X 112MM (POST INSERT)	COMTIMSAF0002
2	1	MOD-600-044 MULTIPLAY DECK	1200 X 1200 DECK	
3	4	MOD-600-116 GROUND FOOT	GROUND FOOT (112)	SUBSTEMIS0004
4	1	MOD-600-154 CASTLE ROOF	CASTLE ROOF	
5	1	MOD-600-155 CASTLE BARRIER	CASTLE BARRIER	
6	1	MOD-600-160 1.5M CASTLE CLIMBING WALL	1.5M CLIMBING WALL	
7	1	MOD-600-180 1.5M CASTLE SLIDE	1.5M CASTLE SLIDE	
8	1	MOD-600-182 1.5M CASTLE STAIRS	1.5M CASTLE STAIRS	
9	4	400 x 400 x 600	0.096M ³ CONCRETE FOUNDATION	



UNLESS OTHERWISE SPECIFIED: DIMENSIONS ARE IN MILLIMETERS TOLERANCES: LINEAR: ±2MM 1 DECIMAL PLACE: ±0.5MM ANGULAR: ±1°	PROPRIETARY AND CONFIDENTIAL THE INFORMATION CONTAINED IN THIS DRAWING IS THE SOLE PROPERTY OF FENLAND LEISURE PRODUCTS. ANY REPRODUCTION IN PART OR AS A WHOLE WITHOUT THE WRITTEN PERMISSION OF FENLAND LEISURE PRODUCTS IS PROHIBITED.	Title: PRO-500-212 SIEGE CASTLE MULTIPLAY (CAST7)	
		Product Range: MULTIPLAY TOWER	
1.5M FFH		Date:	16/08/2022
		Page:	1
DO NOT SCALE FROM DRAWING		A3	
Tel: 01354 638359 www.onlineplaygrounds.co.uk			



27 SAFAGRASS TILES (1.5 X 1.0M)

MIN SPACE

WETPOUR AREA = 28.5M²
PERIMETER = 21.8 L/M

UNLESS OTHERWISE SPECIFIED:
DIMENSIONS ARE IN MILLIMETERS
TOLERANCES:
LINEAR: ±2MM
1 DECIMAL PLACE: ±0.5MM
ANGULAR: ±1°

PROPRIETARY AND CONFIDENTIAL
THE INFORMATION CONTAINED IN THIS DRAWING IS THE SOLE PROPERTY OF FENLAND LEISURE PRODUCTS. ANY REPRODUCTION IN PART OR AS A WHOLE WITHOUT THE WRITTEN PERMISSION OF FENLAND LEISURE PRODUCTS IS PROHIBITED.

Title: PRO-500-212 SIEGE CASTLE MULTIPLAY (CAST7)

Product Range: MULTIPLAY TOWER

Date: 16/08/2022

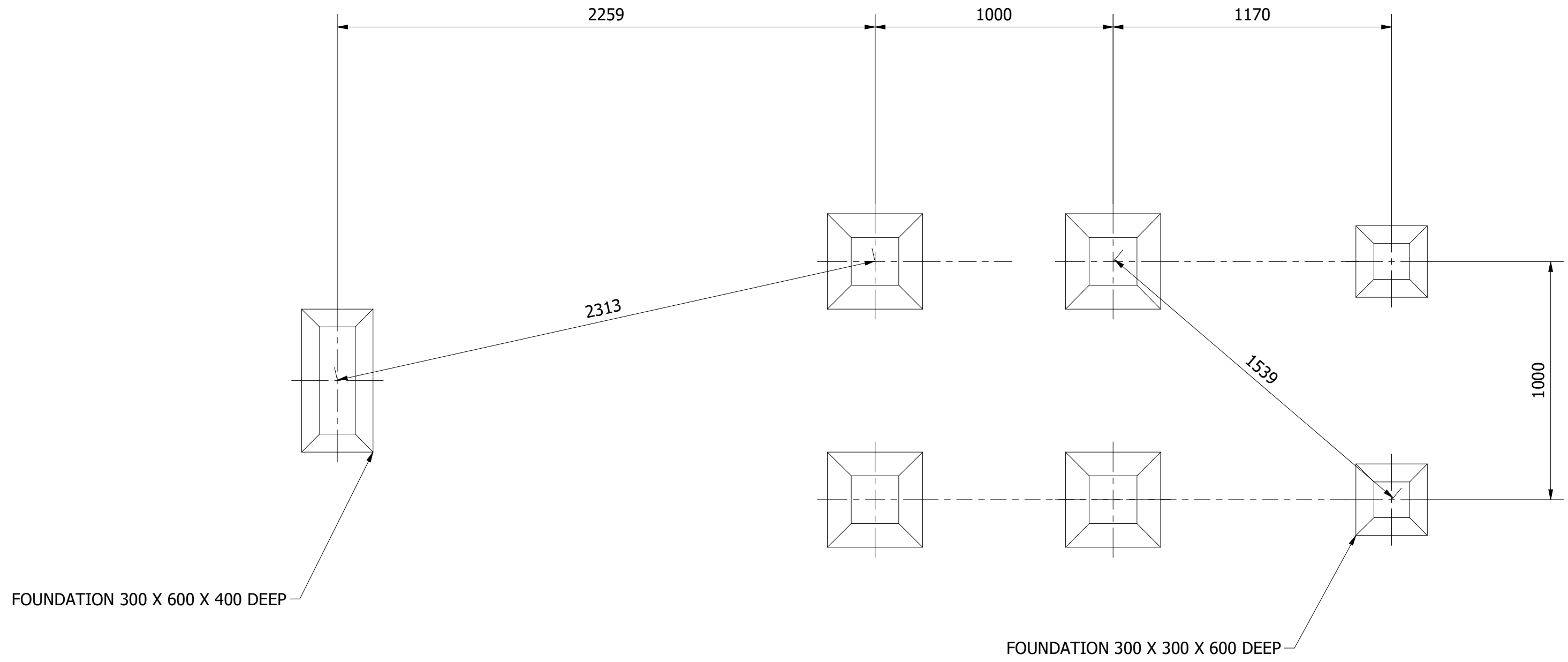
Page: 2

A3



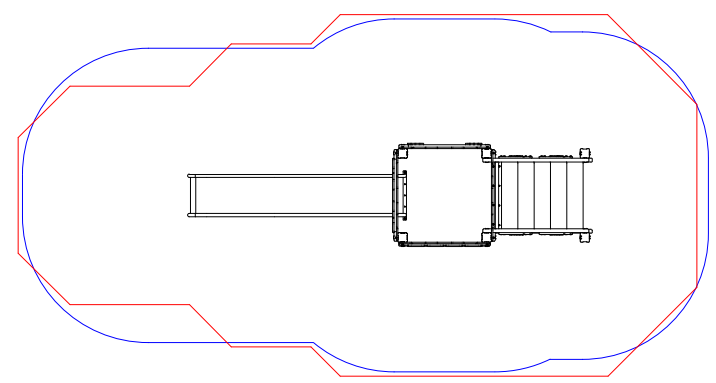
DO NOT SCALE FROM DRAWING

Tel: 01354 638359 www.onlineplaygrounds.co.uk



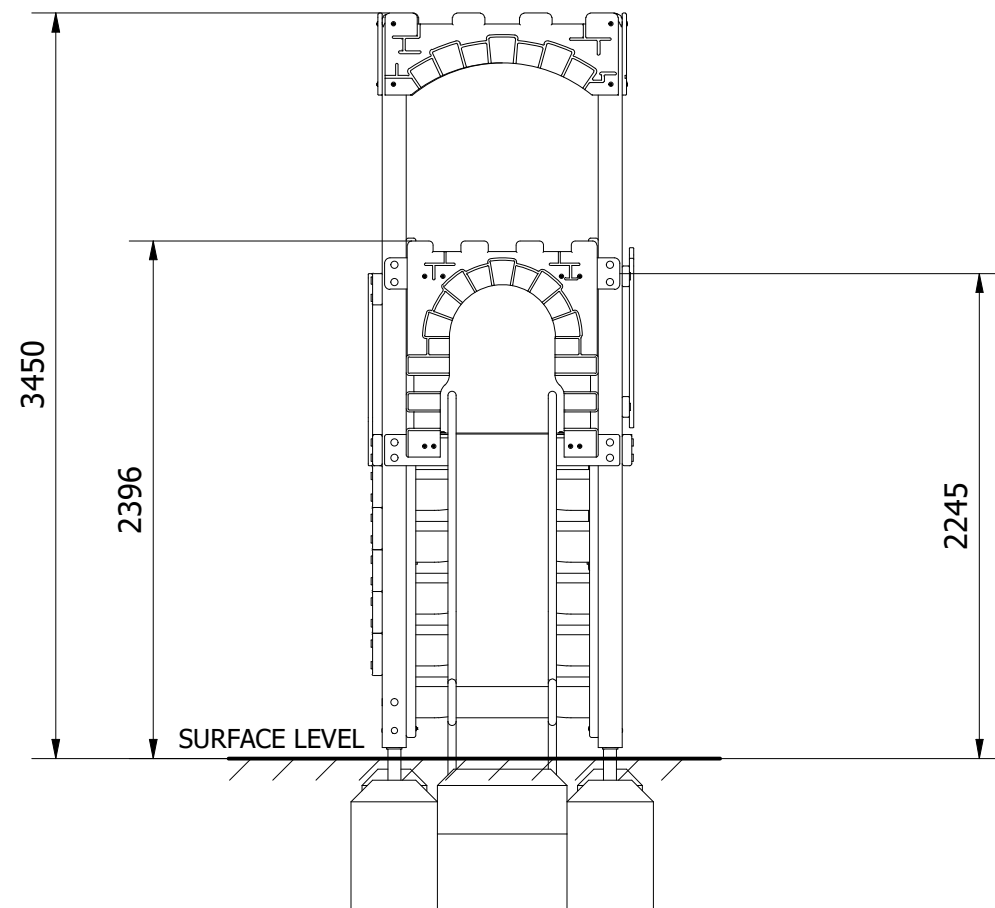
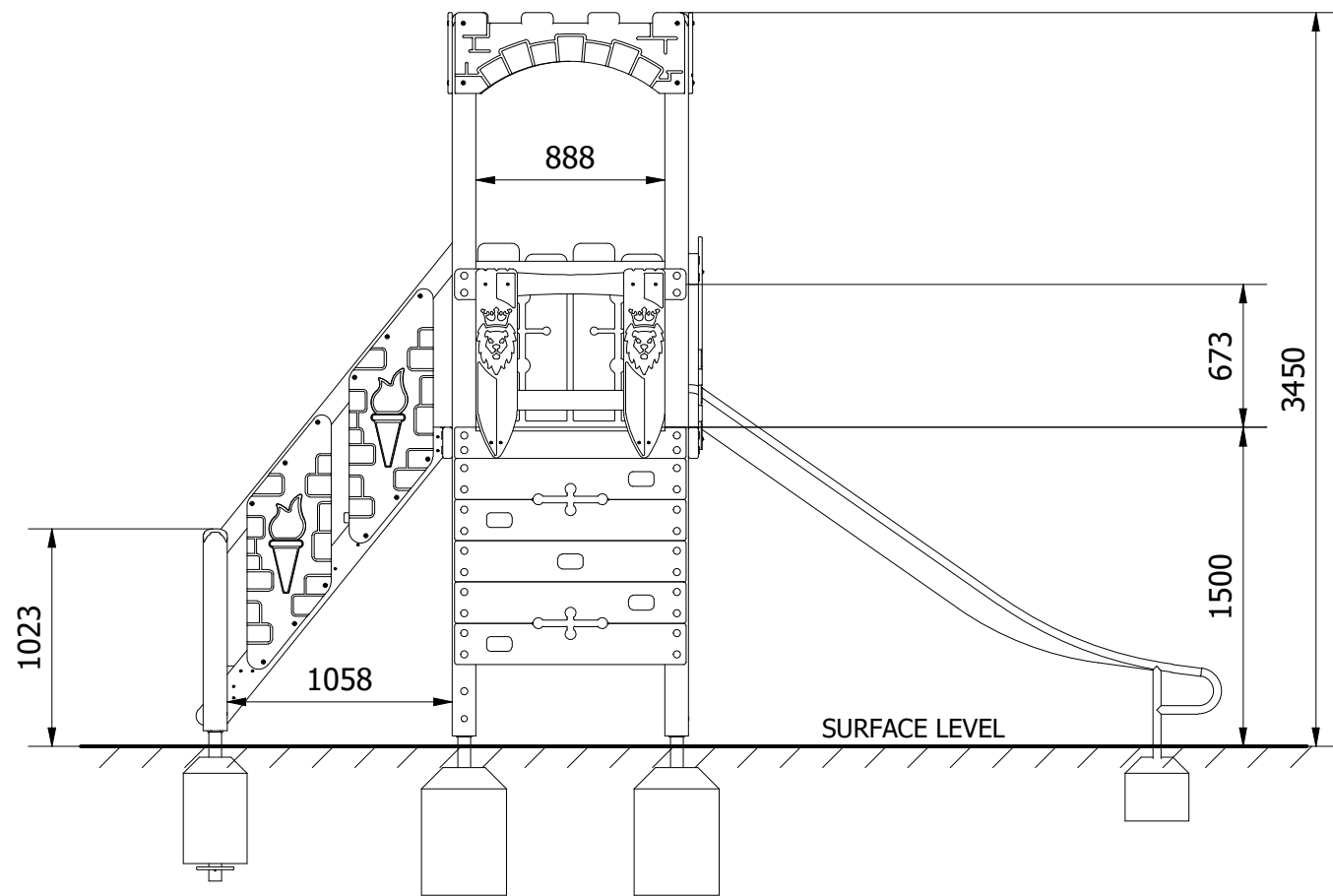
FOUNDATION 300 X 600 X 400 DEEP

FOUNDATION 300 X 300 X 600 DEEP

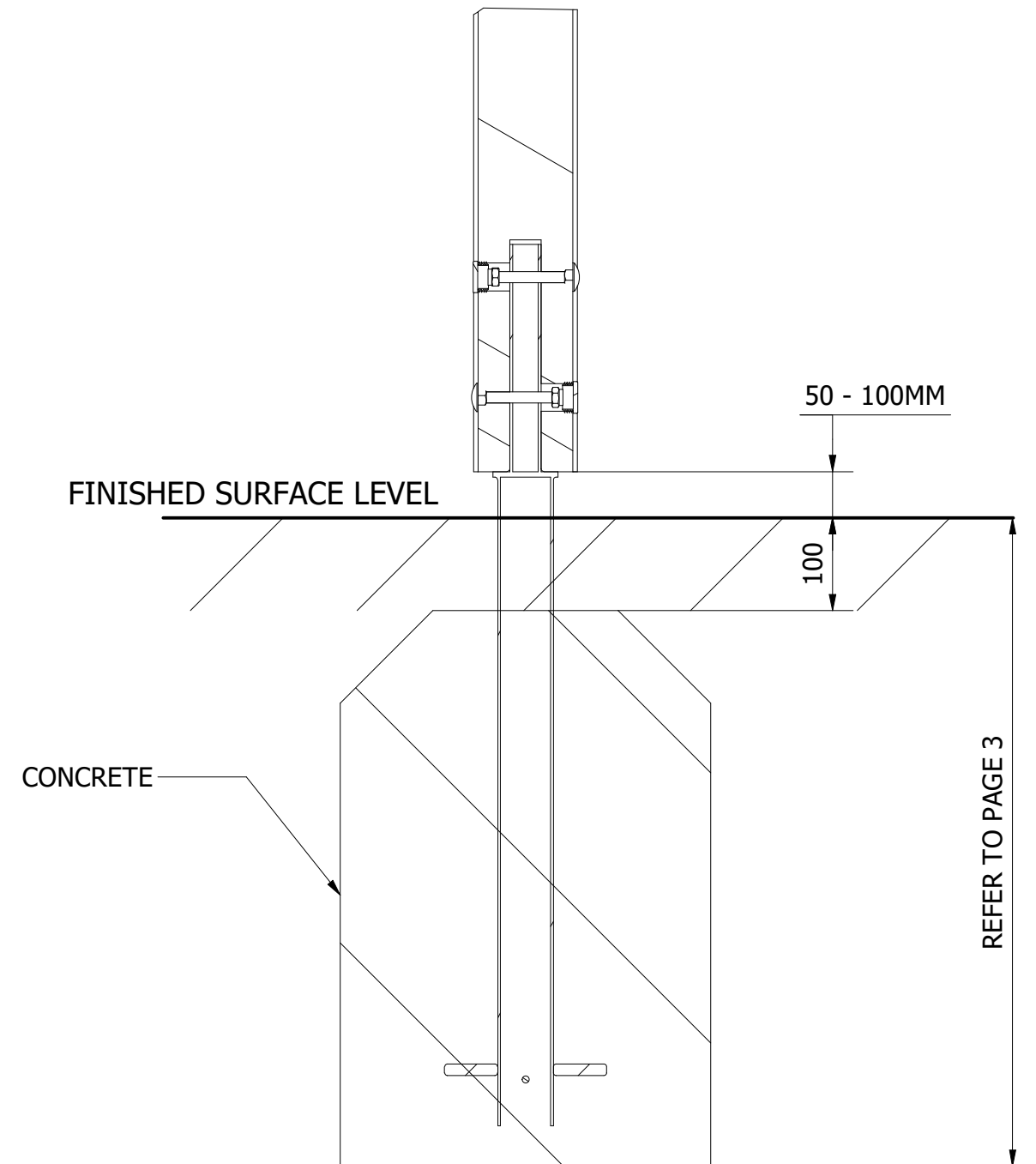


ALL FOUNDATIONS 400 X 400 X 700 DEEP UNLESS OTHERWISE SPECIFIED

<p>UNLESS OTHERWISE SPECIFIED: DIMENSIONS ARE IN MILLIMETERS</p> <p>TOLERANCES:</p> <p>LINEAR: ±2MM</p> <p>1 DECIMAL PLACE: ±0.5MM</p> <p>ANGULAR: ±1°</p>	<p>PROPRIETARY AND CONFIDENTIAL</p> <p>THE INFORMATION CONTAINED IN THIS DRAWING IS THE SOLE PROPERTY OF FENLAND LEISURE PRODUCTS. ANY REPRODUCTION IN PART OR AS A WHOLE WITHOUT THE WRITTEN PERMISSION OF FENLAND LEISURE PRODUCTS IS PROHIBITED.</p>	<p>Title: PRO-500-212 SIEGE CASTLE MULTIPLAY (CAST7)</p>	
		<p>Product Range: MULTIPLAY TOWER</p>	
<p>online playgrounds</p>		<p>Date: 16/08/2022</p>	
		<p>Page: 3</p>	
		<p>A3</p>	
<p>DO NOT SCALE FROM DRAWING</p>		<p>Tel: 01354 638359 www.onlineplaygrounds.co.uk</p>	



ENSURE UNIT IS LEVEL AND PLUMB, ALL FIXINGS HAVE BEEN TIGHTENED AND PROTECTIVE CAPS IN PLACE. ADD CONCRETE TO EACH FOUNDATION HOLE AND LEAVE FOR 48 HOURS.



UNLESS OTHERWISE SPECIFIED:
DIMENSIONS ARE IN MILLIMETERS
TOLERANCES:
LINEAR: $\pm 2\text{MM}$
1 DECIMAL PLACE: $\pm 0.5\text{MM}$
ANGULAR: $\pm 1^\circ$

PROPRIETARY AND CONFIDENTIAL
THE INFORMATION CONTAINED IN THIS DRAWING IS THE SOLE PROPERTY OF FENLAND LEISURE PRODUCTS. ANY REPRODUCTION IN PART OR AS A WHOLE WITHOUT THE WRITTEN PERMISSION OF FENLAND LEISURE PRODUCTS IS PROHIBITED.

Title: PRO-500-212 SIEGE CASTLE MULTIPLAY (CAST7)

Product Range: MULTIPLAY TOWER

Date:
16/08/2022

Page: 4

A3



DO NOT SCALE FROM DRAWING

Tel: 01354 638359 www.onlineplaygrounds.co.uk