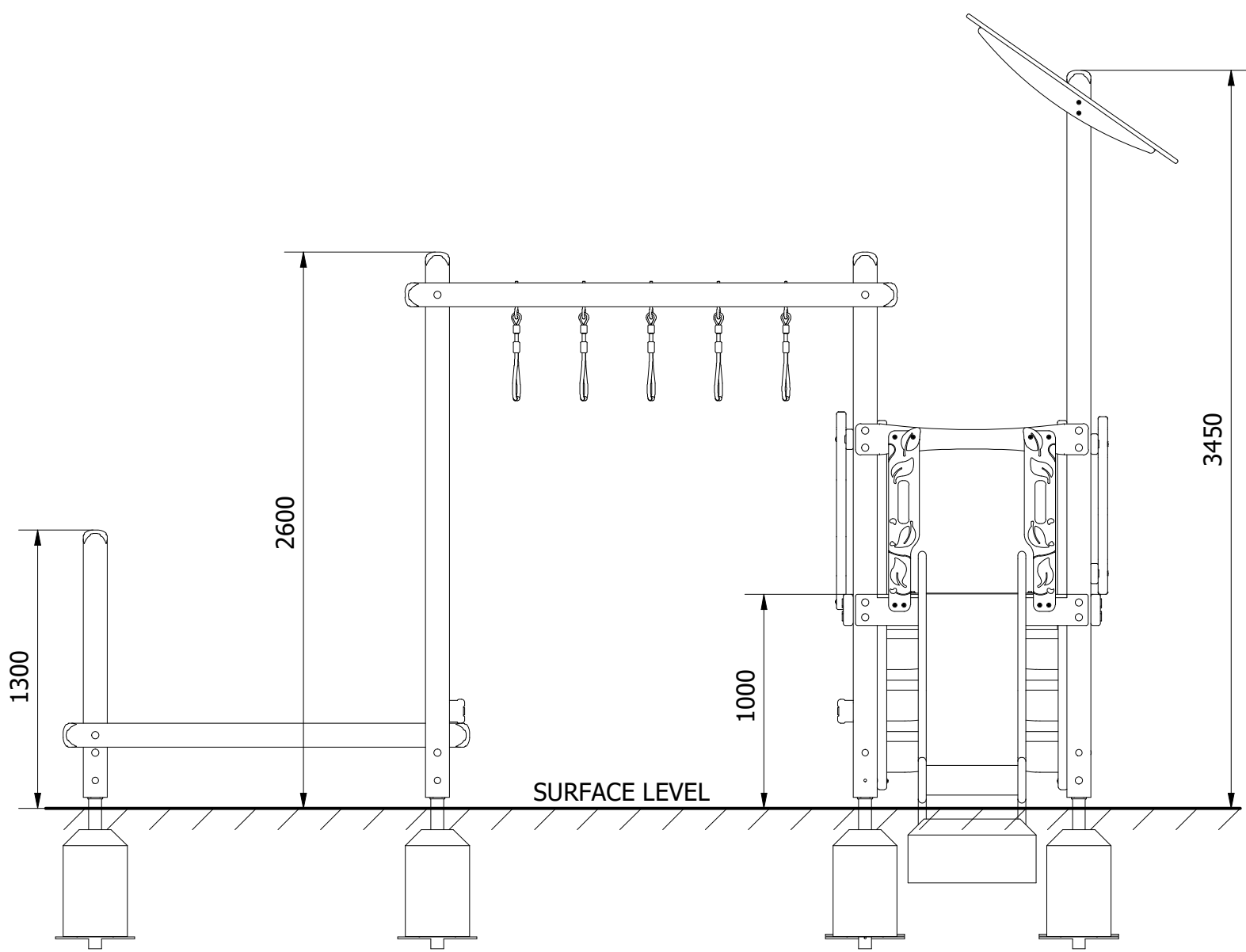
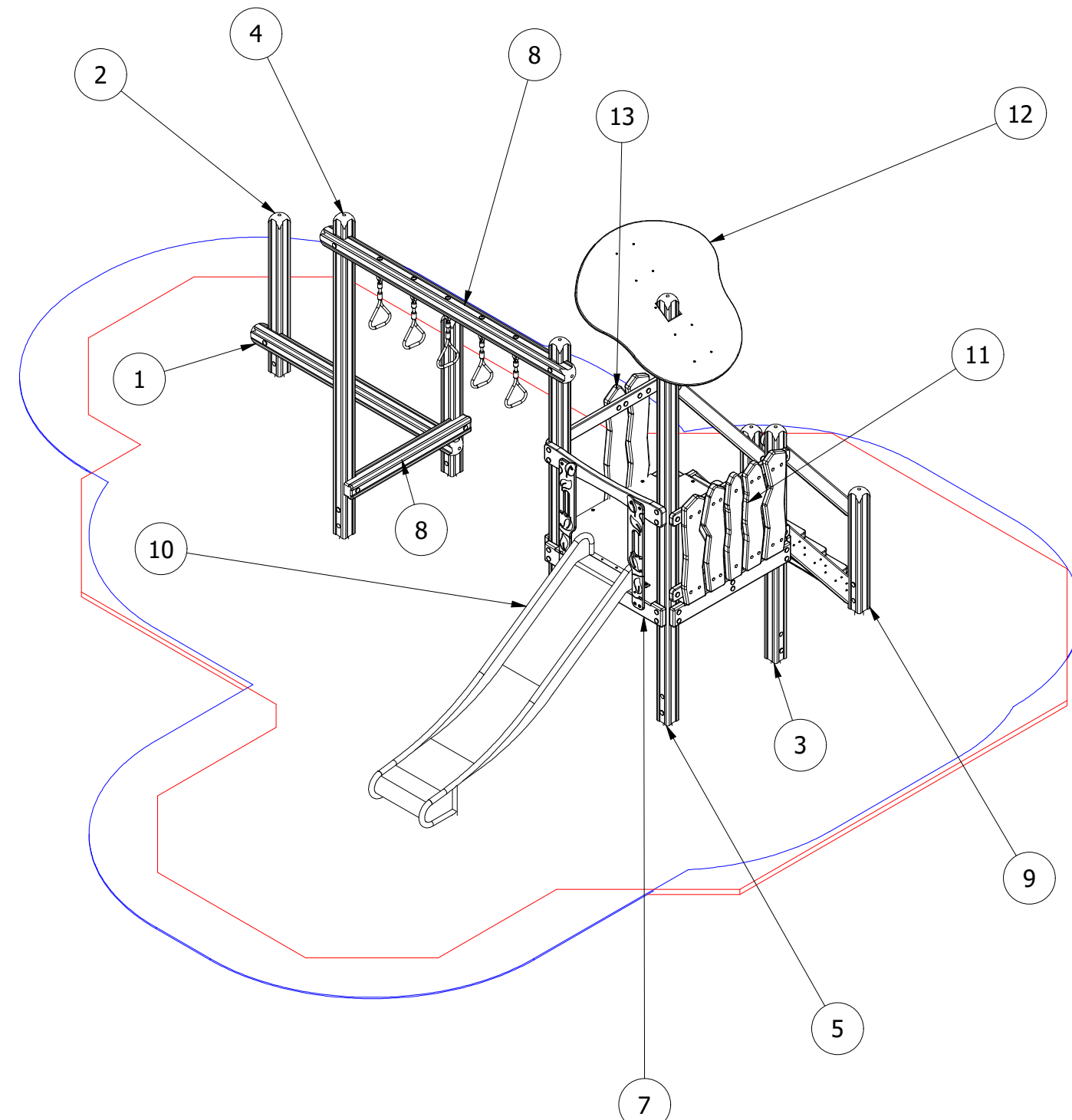
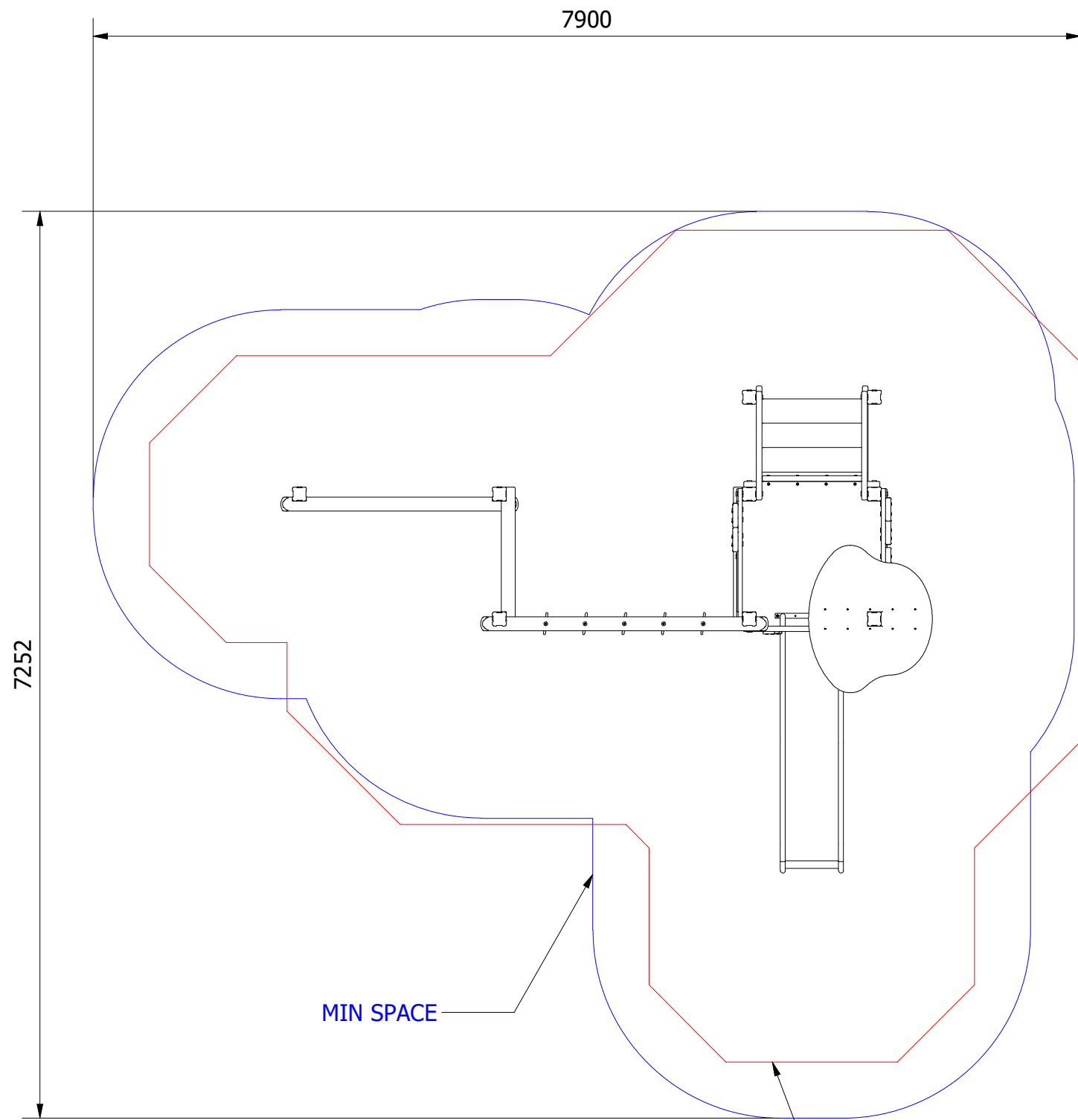


PARTS LIST

ITEM	QTY	PART NUMBER	DESCRIPTION	STOCK NUMBER
1	1	TB-200-019	1900 X 112 SAFALOG	COMTIMSAF0002
2	2	TB-200-048_B	1250 x 112MM (POST INSERT)	COMTIMSAF0002
3	2	TB-200-049_B	1850 X 112MM (POST INSERT)	COMTIMSAF0002
4	2	TB-200-720_B	2550 X 112MM (POST INSERT)	COMTIMSAF0002
5	1	TB-200-873	3400 X 112MM (POST INSERT)	COMTIMSAF0002
6	7	MOD-600-116 GROUND FOOT	GROUND FOOT (112)	SUBSTEMIS0004
7	1	MOD-600-044 MULTIPLAY DECK	1200 X 1200 DECK	
8	1	MOD-600-047 TRAPEZE SWING	2M TRAPEZE SWING	
9	1	MOD-600-048 1M STAIRS	1M STAIRS	
10	1	MOD-600-123 1M ORCHARD SLIDE	1M ORCHARD SLIDE	
11	1	MOD-600-125 JUNGLE BARRIER	JUNGLE BARRIER	
12	1	MOD-600-127 ORCHARD ROOF	ORCHARD ROOF	
13	1	MOD-600-133 HALF JUNGLE BARRIER_LH	JUNGLE BARRIER	
14	2	M12 X 150 COACH SCREW	M12 X 150 COACH SCREW	COMA2CSM12X150
15	2	M12 WASHER	M12 WASHER (DIN 125)	COMA2FWM12
16	2	30MM BOLT COVER	30MM BLACK CAP	COMPLACAP0001
17	7	300 x 300 x 500	0.045M ³ CONCRETE FOUNDATION	

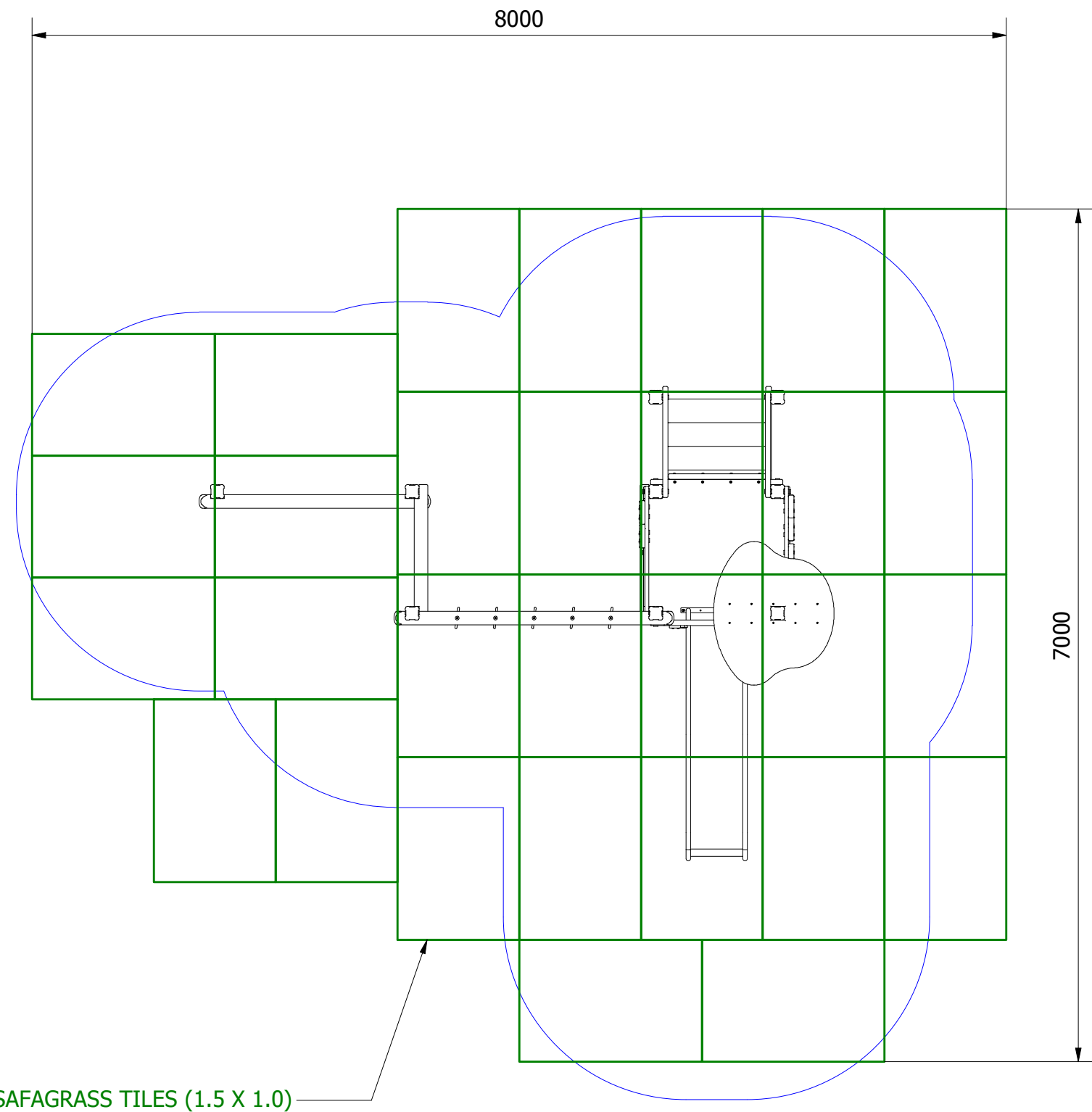


<p>UNLESS OTHERWISE SPECIFIED: DIMENSIONS ARE IN MILLIMETERS</p> <p>TOLERANCES: LINEAR: ±2MM 1 DECIMAL PLACE: ±0.5MM ANGULAR: ±1°</p>	<p>PROPRIETARY AND CONFIDENTIAL</p> <p>THE INFORMATION CONTAINED IN THIS DRAWING IS THE SOLE PROPERTY OF FENLAND LEISURE PRODUCTS. ANY REPRODUCTION IN PART OR AS A WHOLE WITHOUT THE WRITTEN PERMISSION OF FENLAND LEISURE PRODUCTS IS PROHIBITED.</p>	<p>Title: PRO-500-216 PEAR MULTIPLAY (ORCH2)</p>	
		<p>Product Range: MULTIPLAY TOWER</p>	
		<p>1.0M FFH</p>	<p>Date: 11/10/2022</p>
		<p>DO NOT SCALE FROM DRAWING</p>	
		<p>Tel: 01354 638359 www.onlineplaygrounds.co.uk</p>	



MIN SPACE

WETPOUR AREA = 33.0M²
PERIMETER = 24.4 L/M



30 SAFAGRASS TILES (1.5 X 1.0)

UNLESS OTHERWISE SPECIFIED:
DIMENSIONS ARE IN MILLIMETERS
TOLERANCES:
LINEAR: ±2MM
1 DECIMAL PLACE: ±0.5MM
ANGULAR: ±1°

PROPRIETARY AND CONFIDENTIAL
THE INFORMATION CONTAINED IN THIS
DRAWING IS THE SOLE PROPERTY OF
FENLAND LEISURE PRODUCTS. ANY
REPRODUCTION IN PART OR AS A WHOLE
WITHOUT THE WRITTEN PERMISSION
OF FENLAND
LEISURE PRODUCTS IS PROHIBITED.

Title: PRO-500-216 PEAR MULTIPLAY (ORCH2)

Product Range: MULTIPLAY TOWER

Date:
11/10/2022

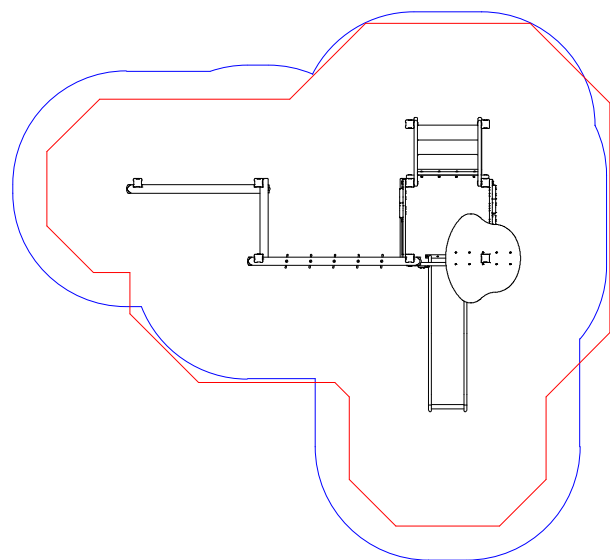
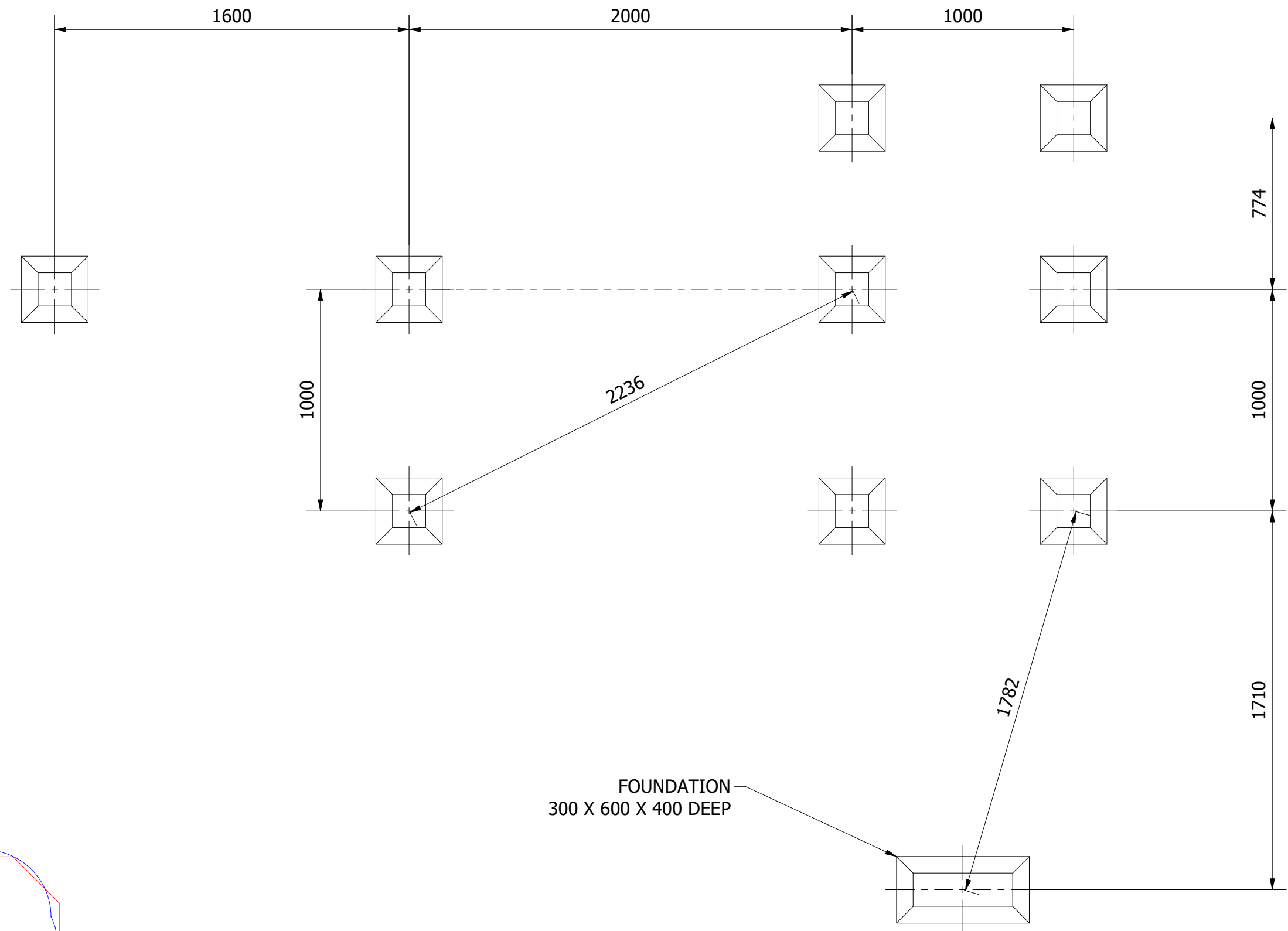
Page: 2

A3



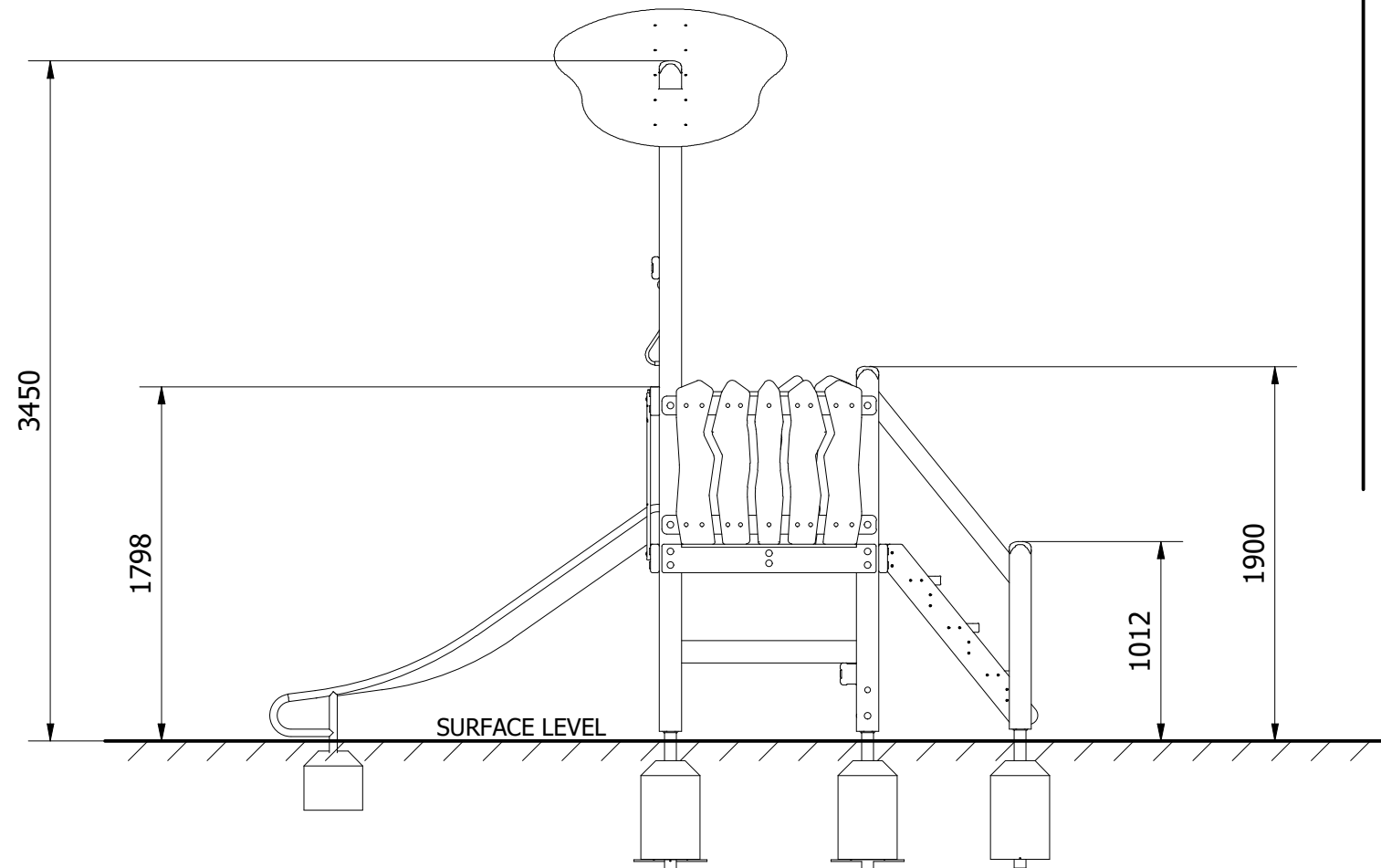
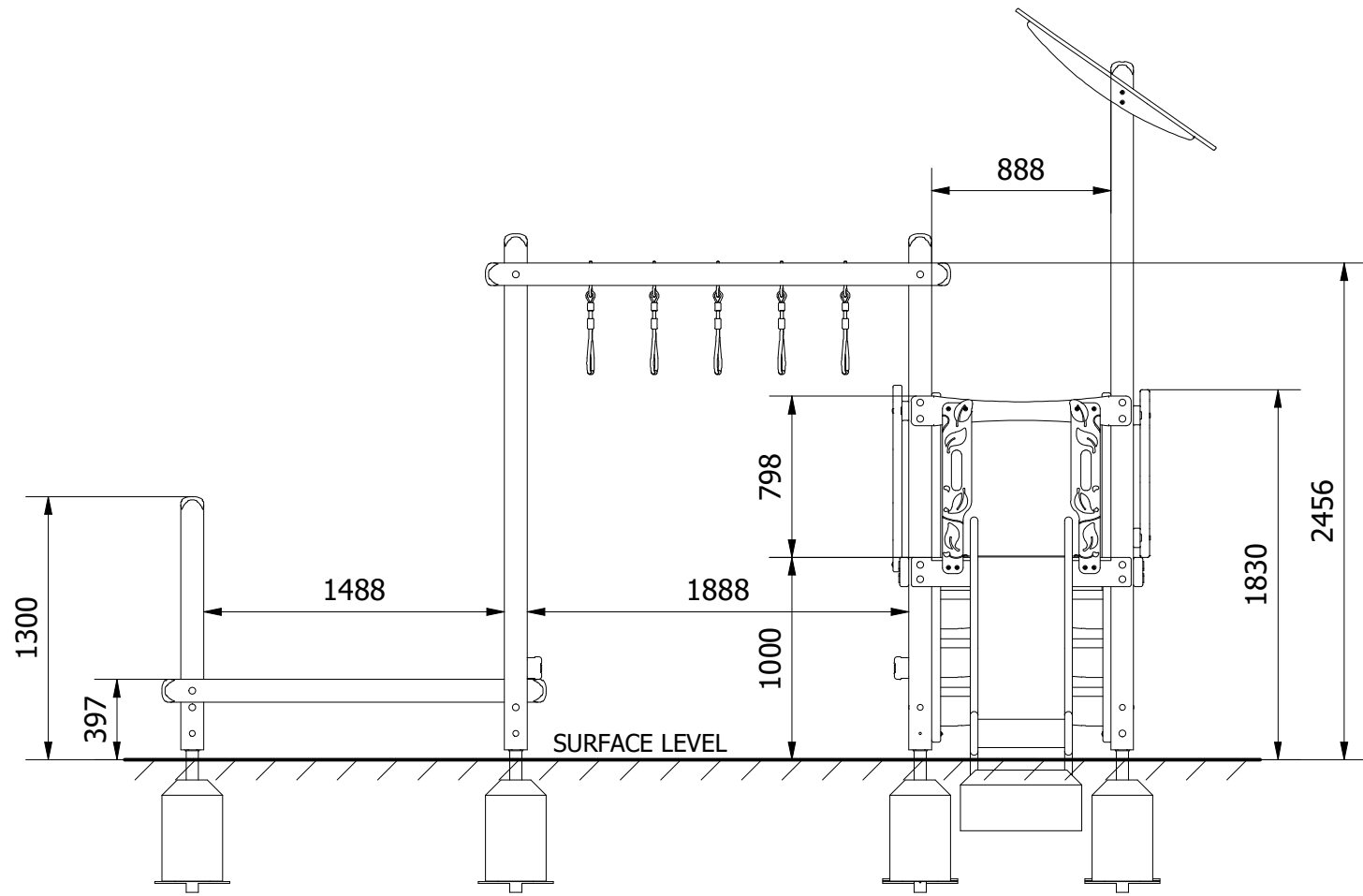
DO NOT SCALE FROM DRAWING

Tel: 01354 638359 www.onlineplaygrounds.co.uk

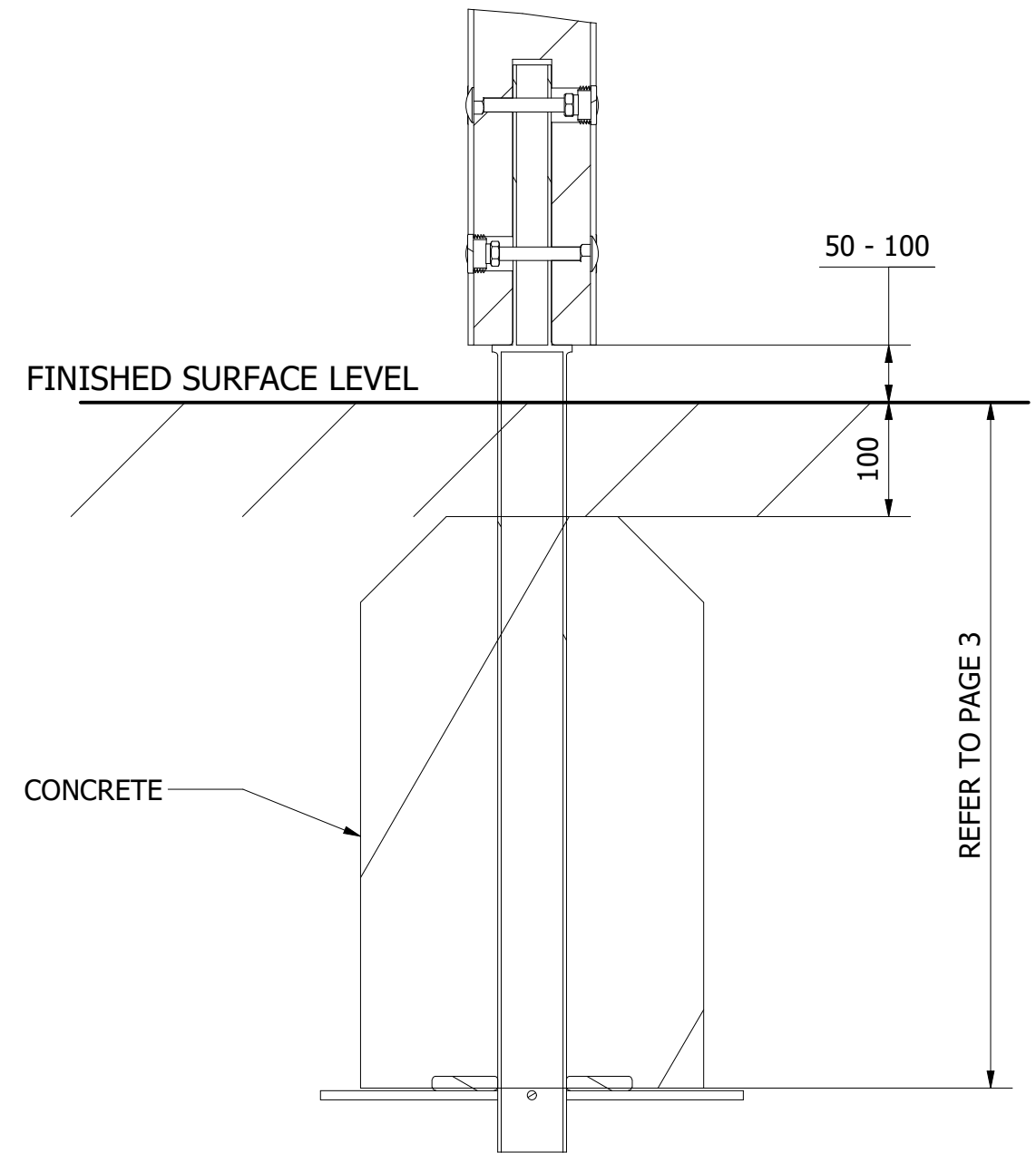


ALL FOUNDATIONS 400 X 400 X 600 DEEP UNLESS OTHERWISE SPECIFIED

UNLESS OTHERWISE SPECIFIED: DIMENSIONS ARE IN MILLIMETERS TOLERANCES: LINEAR: ±2MM 1 DECIMAL PLACE: ±0.5MM ANGULAR: ±1°	PROPRIETARY AND CONFIDENTIAL THE INFORMATION CONTAINED IN THIS DRAWING IS THE SOLE PROPERTY OF FENLAND LEISURE PRODUCTS. ANY REPRODUCTION IN PART OR AS A WHOLE WITHOUT THE WRITTEN PERMISSION OF FENLAND LEISURE PRODUCTS IS PROHIBITED.	Title: PRO-500-216 PEAR MULTIPLAY (ORCH2)	
		Product Range: MULTIPLAY TOWER	
		Date: 11/10/2022	
		Page: 3	
		A3	
		DO NOT SCALE FROM DRAWING	
		Tel: 01354 638359 www.onlineplaygrounds.co.uk	



ENSURE UNIT IS LEVEL AND PLUMB, ALL FIXINGS HAVE BEEN TIGHTENED AND PROTECTIVE CAPS IN PLACE. ADD CONCRETE TO EACH FOUNDATION HOLE AND LEAVE FOR 48 HOURS.



UNLESS OTHERWISE SPECIFIED:
DIMENSIONS ARE IN MILLIMETERS
TOLERANCES:
LINEAR: ±2MM
1 DECIMAL PLACE: ±0.5MM
ANGULAR: ±1°

PROPRIETARY AND CONFIDENTIAL

THE INFORMATION CONTAINED IN THIS DRAWING IS THE SOLE PROPERTY OF FENLAND LEISURE PRODUCTS. ANY REPRODUCTION IN PART OR AS A WHOLE WITHOUT THE WRITTEN PERMISSION OF FENLAND LEISURE PRODUCTS IS PROHIBITED.

Title: PRO-500-216 PEAR MULTIPLAY (ORCH2)

Product Range: MULTIPLAY TOWER

Date:
11/10/2022

Page: 4

A3



DO NOT SCALE FROM DRAWING

Tel: 01354 638359 www.onlineplaygrounds.co.uk