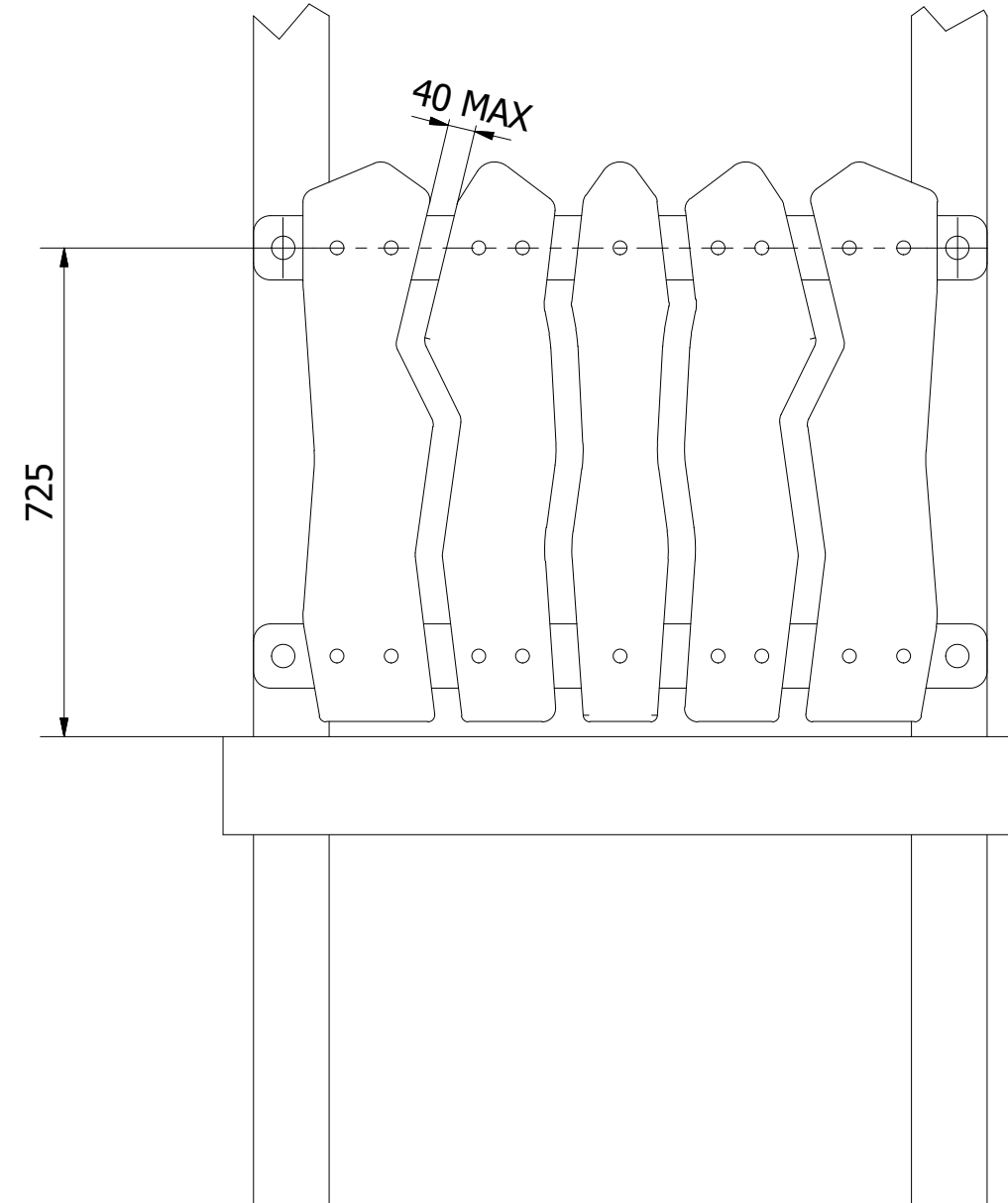
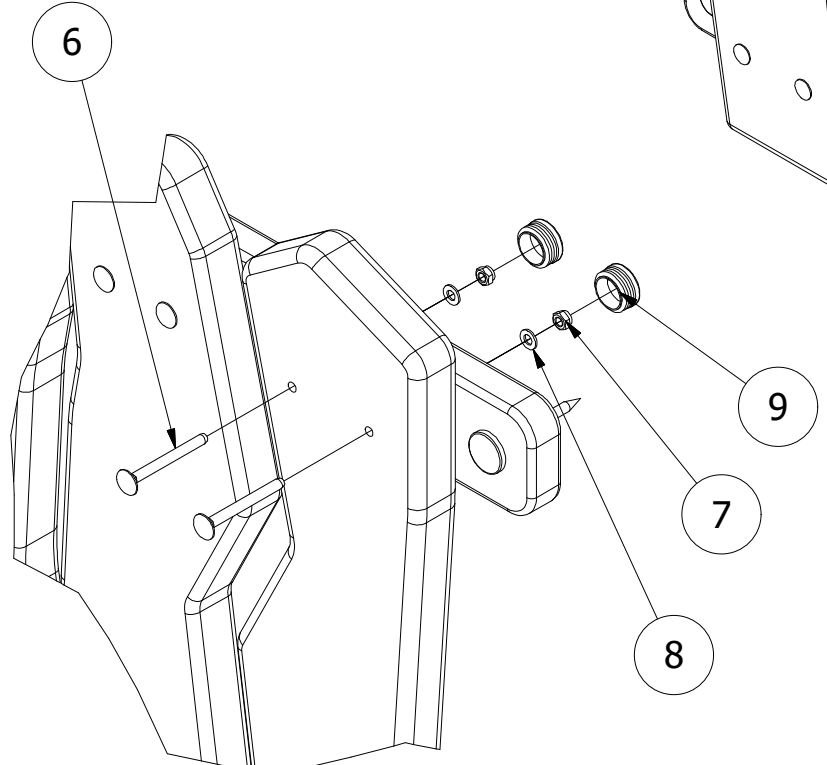
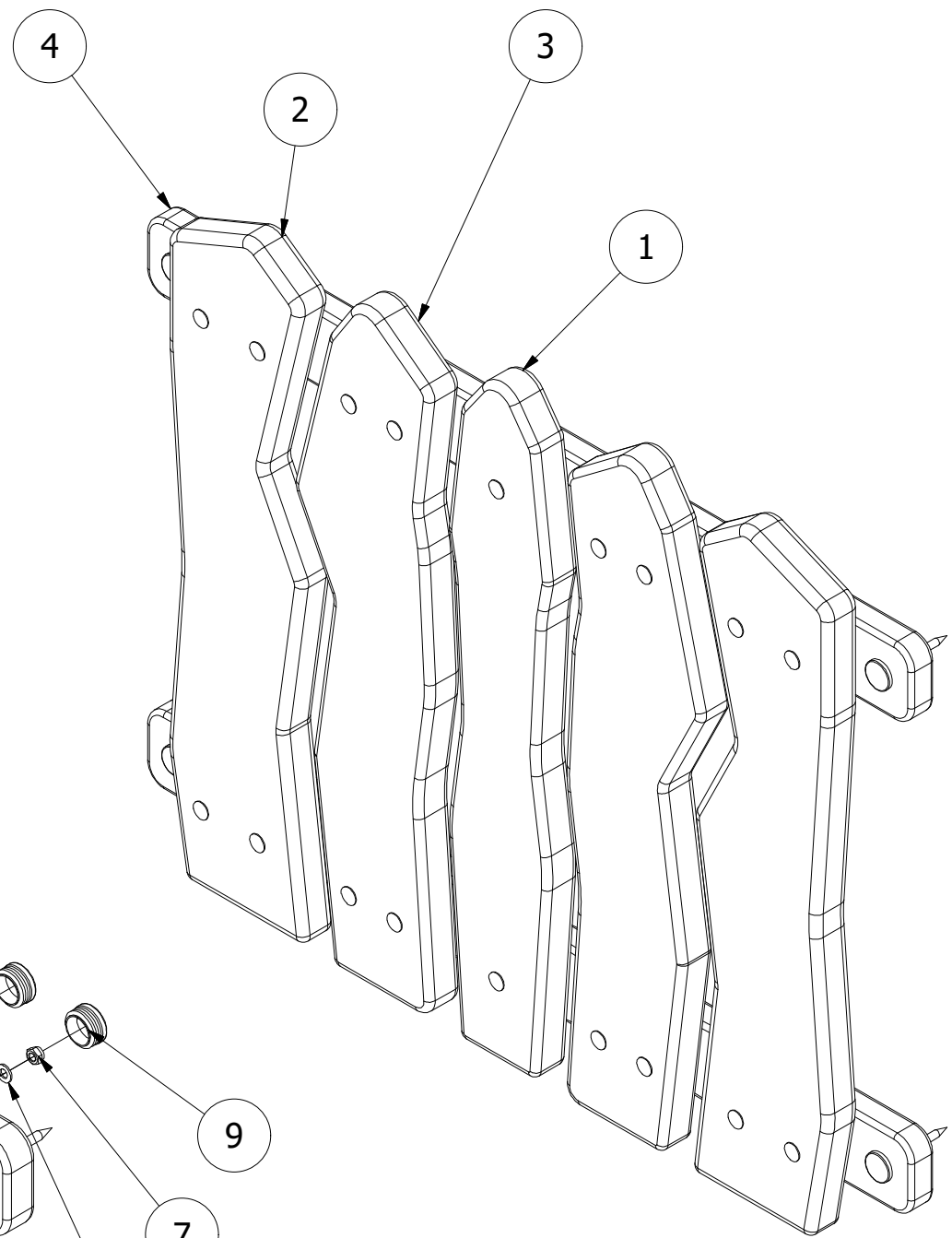



PARTS LIST

ITEM	QTY	PART NUMBER	DESCRIPTION	STOCK NUMBER
1	1	TB-200-874	830 X 145 X 45 (JUNG PALE 1)	COMTIMSAW0005
2	2	TB-200-875	830 X 195 X 45 (JUNG PALE 2)	COMTIMSAW0004
3	2	TB-200-876	830 X 195 X 45 (JUNG PALE 3)	COMTIMSAW0004
4	2	TB-200-877	1088 X 95 X 45 (PLANED TO 33)	COMTIMSAW0007
5	4	M8 X 80 TORX WASHER HEAD	80MM WASHER SCREW	COMA2WH8X80
6	18	M8 X 80 COACH BOLT	M8 X 80 COACH BOLT	COMA2CBM8x80
7	18	M8 NYLOC NUT (DIN 985)	M8 NYLOC NUT	COMA2NNM8
8	18	M8 WASHER (DIN 125)	M8 WASHER	COMA2FWM8
9	22	30MM BOLT COVER	30MM BLACK CAP	COMPLACAP0001



UNLESS OTHERWISE SPECIFIED: DIMENSIONS ARE IN MILLIMETERS TOLERANCES: LINEAR: ±2MM 1 DECIMAL PLACE: ±0.5MM ANGULAR: ±1°	PROPRIETARY AND CONFIDENTIAL THE INFORMATION CONTAINED IN THIS DRAWING IS THE SOLE PROPERTY OF FENLAND LEISURE PRODUCTS. ANY REPRODUCTION IN PART OR AS A WHOLE WITHOUT THE WRITTEN PERMISSION OF FENLAND LEISURE PRODUCTS IS PROHIBITED.	Title: MOD-600-125 JUNGLE BARRIER	
		Product Range: MODULE DRAWING	
		Date: 10/05/2021	
		Page: 1	
		A3	
		DO NOT SCALE FROM DRAWING	
		Tel: 01354 638359 www.onlineplaygrounds.co.uk	