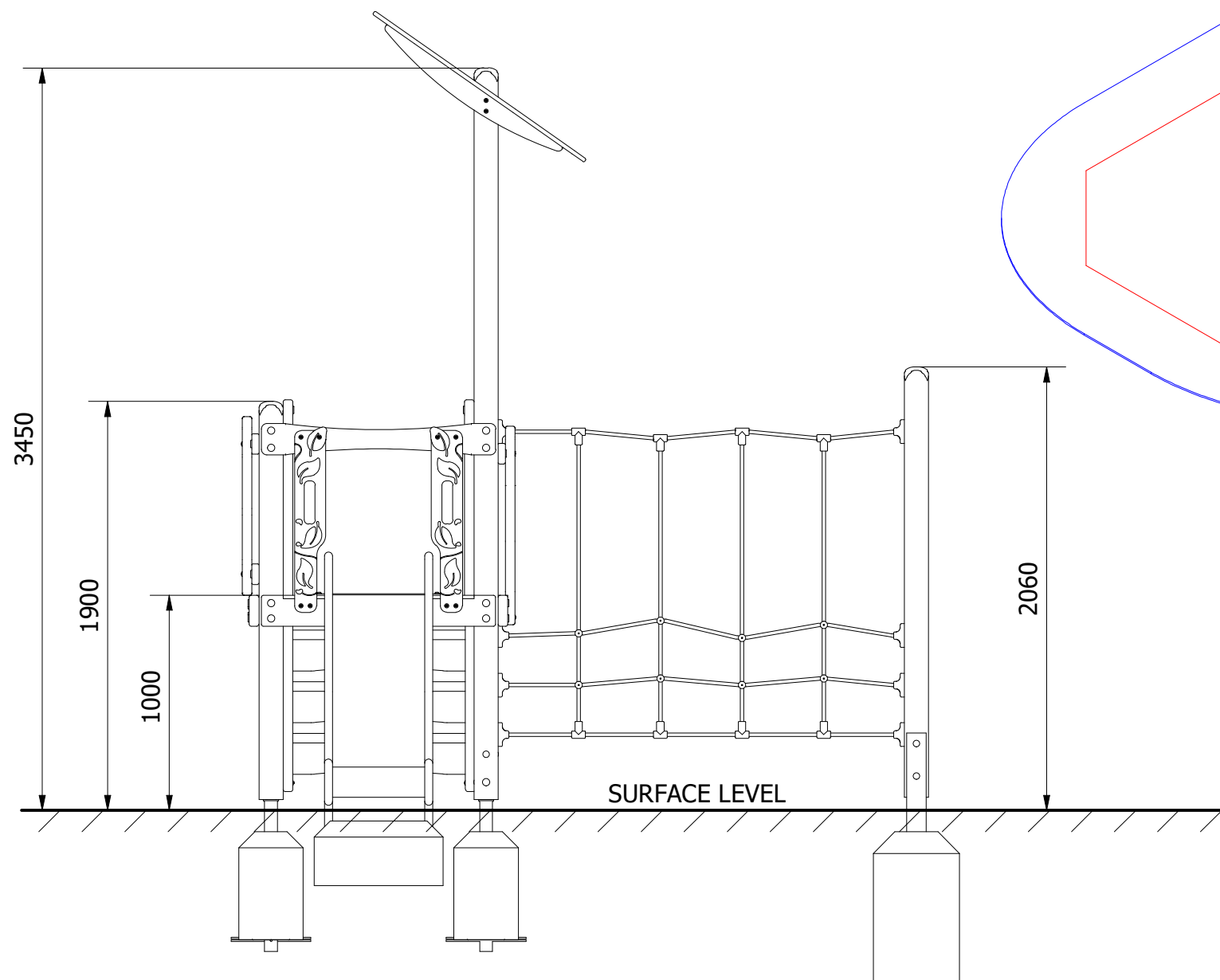
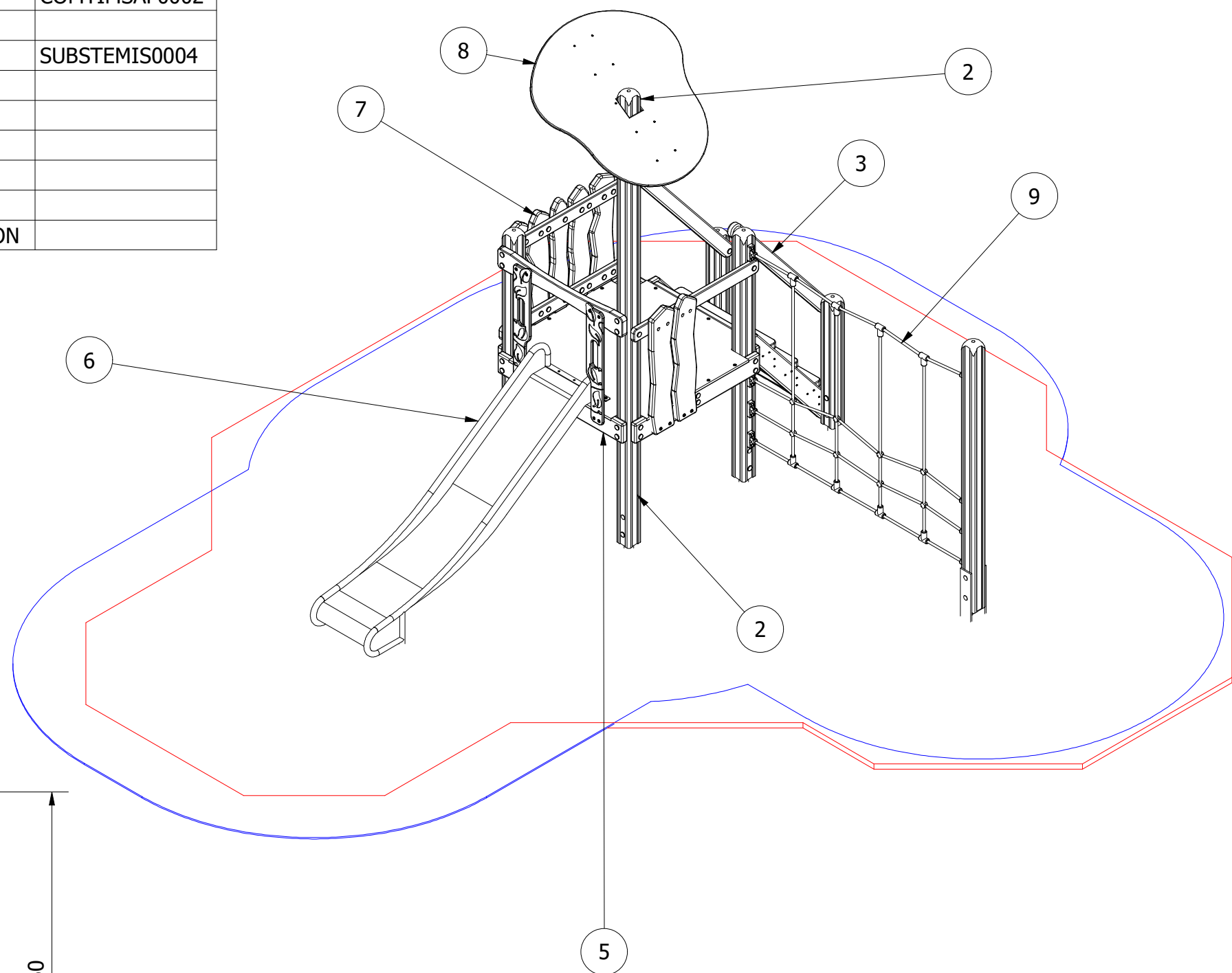


PARTS LIST

ITEM	QTY	PART NUMBER	DESCRIPTION	STOCK NUMBER
1	3	TB-200-049_B	1850 X 112MM (POST INSERT)	COMTIMSAF0002
2	1	TB-200-873	3400 X 112MM (POST INSERT)	COMTIMSAF0002
3	1	MOD-600-048 1M STAIRS	1M STAIRS	
4	4	MOD-600-116 GROUND FOOT	GROUND FOOT (112)	SUBSTEMIS0004
5	1	MOD-600-044 MULTIPLAY DECK	1200 X 1200 DECK	
6	1	MOD-600-123 1M ORCHARD SLIDE	1M ORCHARD SLIDE	
7	1	MOD-600-125 JUNGLE BARRIER	JUNGLE BARRIER	
8	1	MOD-600-127 ORCHARD ROOF	ORCHARD ROOF	
9	1	MOD-600-206 1.0M TOWER TRAVERSE NET	1.0M TOWER TRAVERSE NET	
10	4	300 x 300 x 500	0.045M <sup>3</sup> CONCRETE FOUNDATION	



UNLESS OTHERWISE SPECIFIED:  
DIMENSIONS ARE IN MILLIMETERS  
TOLERANCES:  
LINEAR: ±2MM  
1 DECIMAL PLACE: ±0.5MM  
ANGULAR: ±1°

**PROPRIETARY AND CONFIDENTIAL**  
THE INFORMATION CONTAINED IN THIS  
DRAWING IS THE SOLE PROPERTY OF  
FENLAND LEISURE PRODUCTS. ANY  
REPRODUCTION IN PART OR AS A WHOLE  
WITHOUT THE WRITTEN PERMISSION  
OF FENLAND  
LEISURE PRODUCTS IS PROHIBITED.

Title: **PRO-500-217 PLUM MULTIPLAY (ORCH1)**

Product Range: **MULTIPLAY TOWER**

1.0M FFH

Date:  
26/07/2022

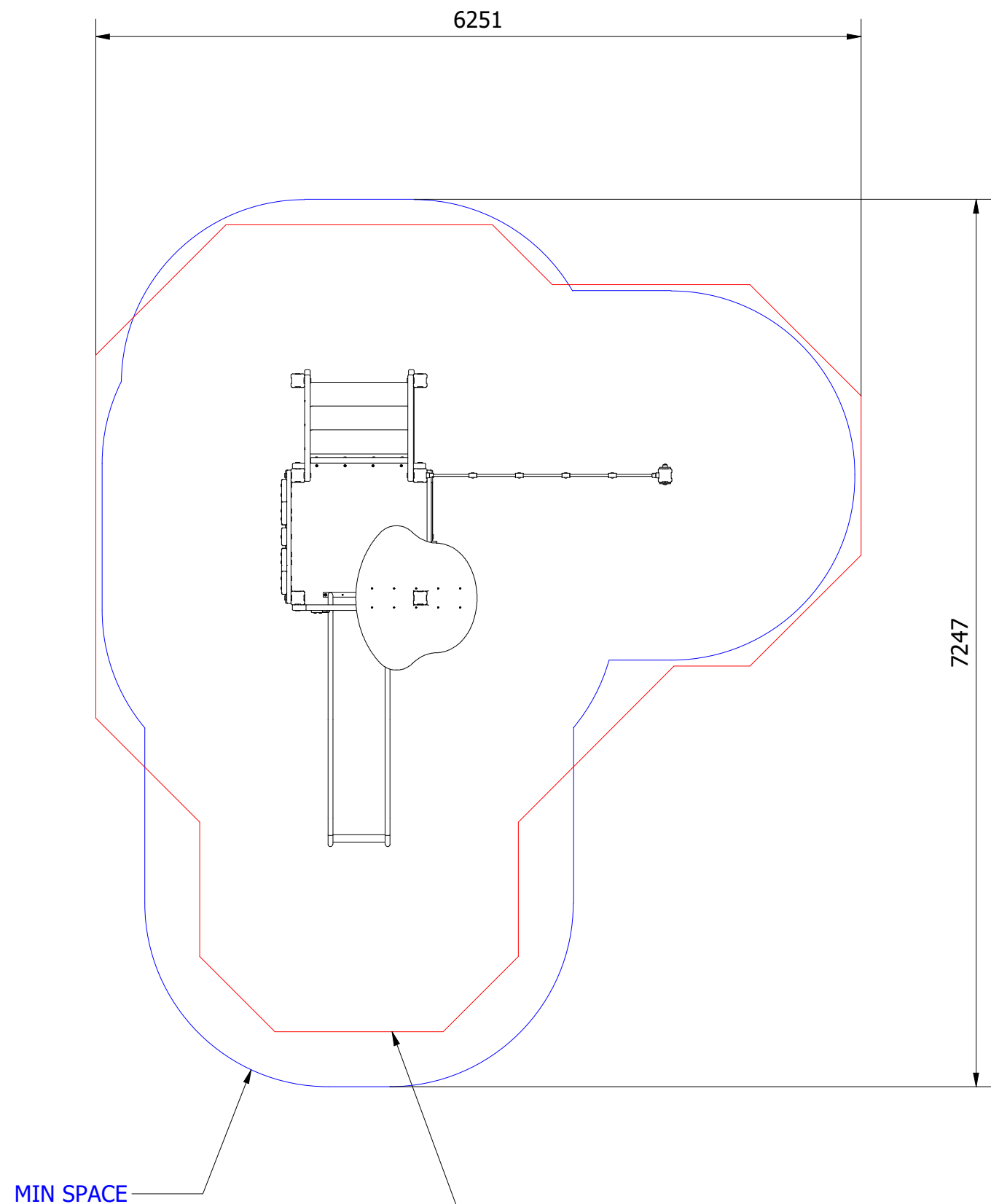
Page: 1

A3

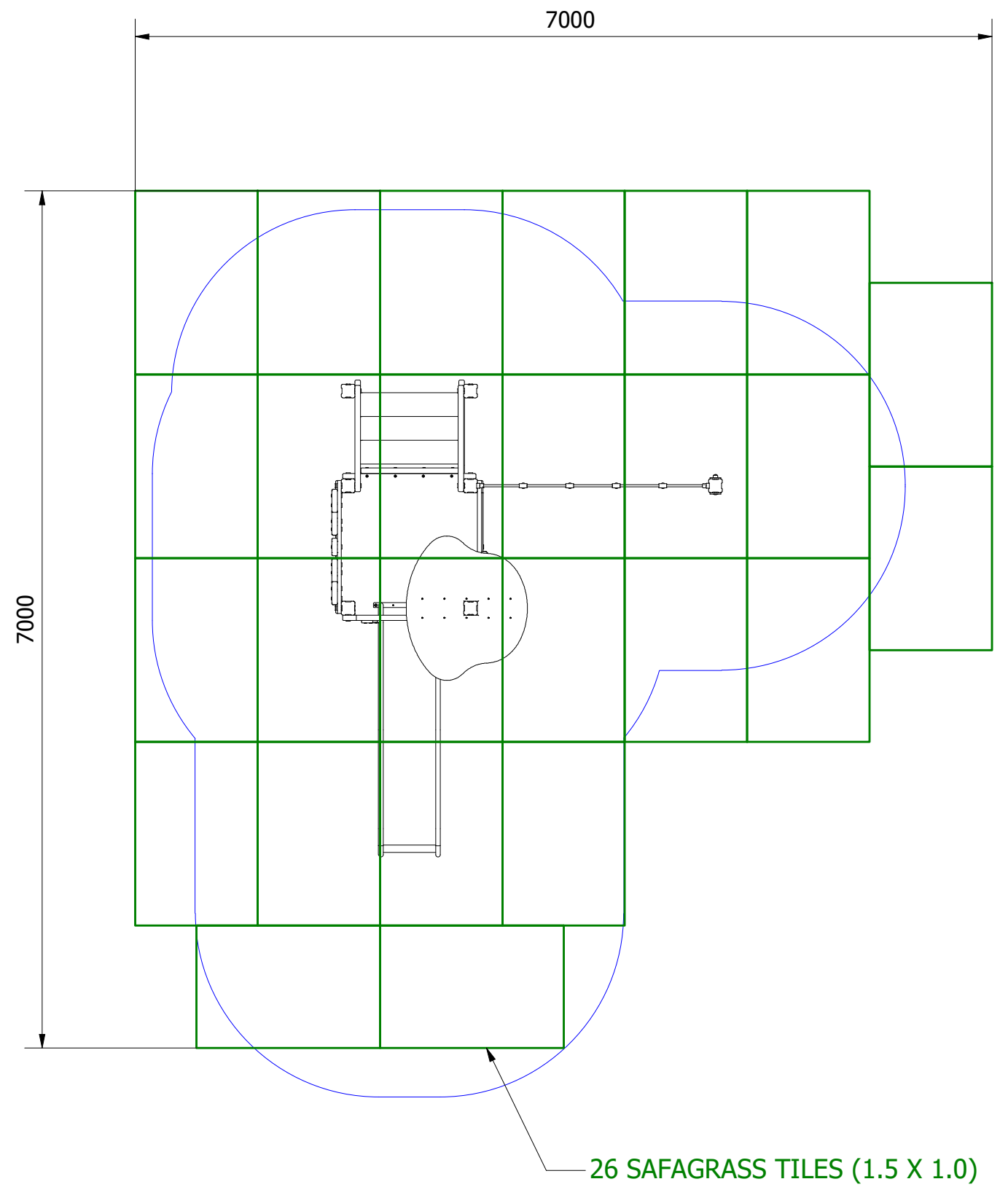


DO NOT SCALE FROM DRAWING

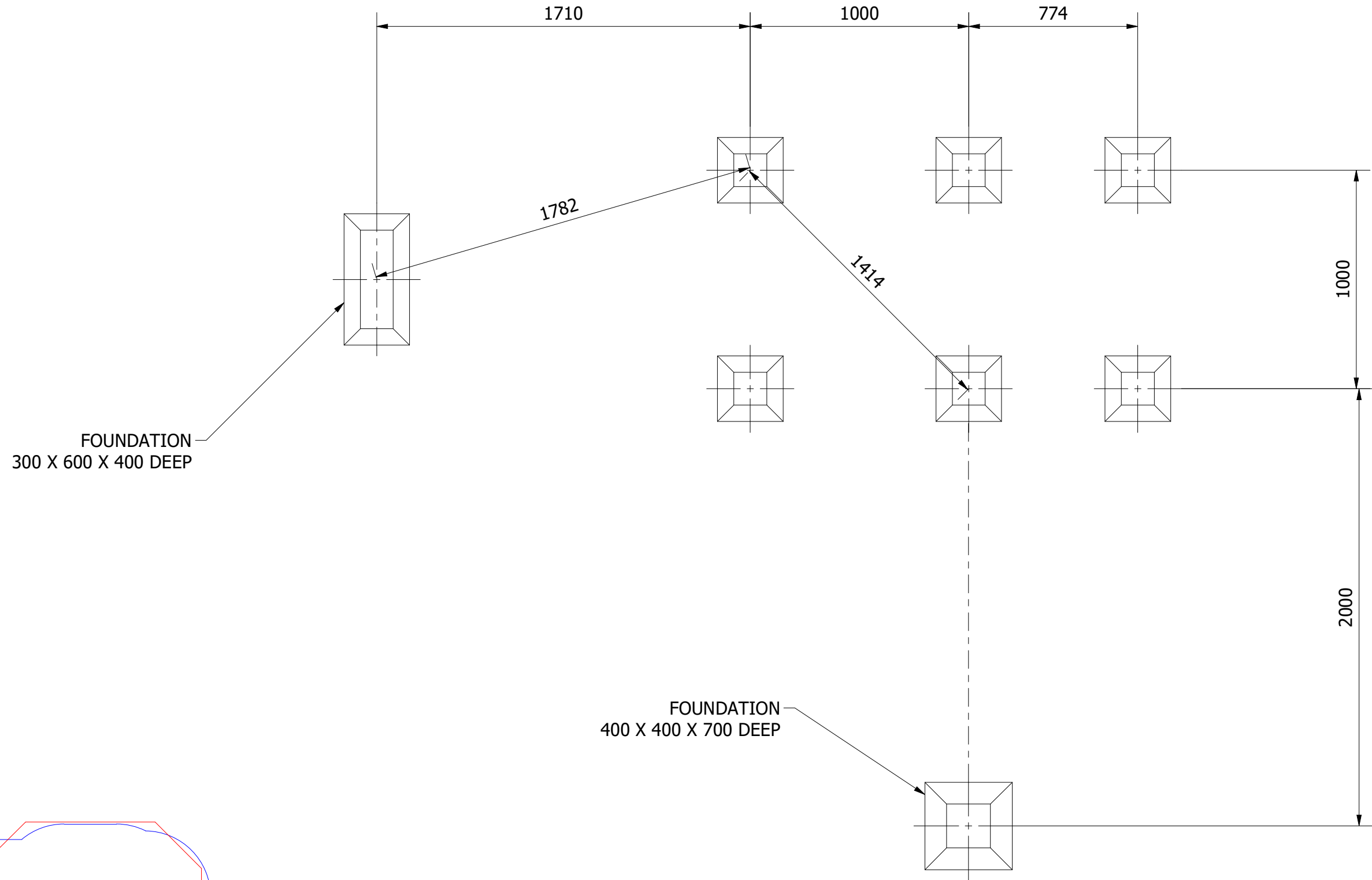
Tel: 01354 638359 www.onlineplaygrounds.co.uk



WETPOUR AREA = 28.8M<sup>2</sup>  
 PERIMETER = 21.8 L/M

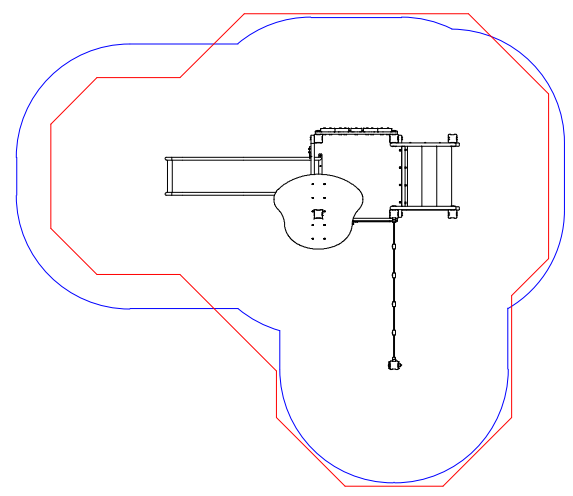


UNLESS OTHERWISE SPECIFIED: DIMENSIONS ARE IN MILLIMETERS TOLERANCES: LINEAR: ±2MM 1 DECIMAL PLACE: ±0.5MM ANGULAR: ±1°	<b>PROPRIETARY AND CONFIDENTIAL</b> THE INFORMATION CONTAINED IN THIS DRAWING IS THE SOLE PROPERTY OF FENLAND LEISURE PRODUCTS. ANY REPRODUCTION IN PART OR AS A WHOLE WITHOUT THE WRITTEN PERMISSION OF FENLAND LEISURE PRODUCTS IS PROHIBITED.	Title: <b>PRO-500-217 PLUM MULTIPLAY (ORCH1)</b>	
		Product Range: <b>MULTIPLAY TOWER</b>	
		Date: 26/07/2022	
		Page: 2	
		A3	
		DO NOT SCALE FROM DRAWING	
		Tel: 01354 638359 www.onlineplaygrounds.co.uk	



FOUNDATION  
300 X 600 X 400 DEEP

FOUNDATION  
400 X 400 X 700 DEEP



ALL FOUNDATIONS 400 X 400 X 600 DEEP UNLESS OTHERWISE SPECIFIED

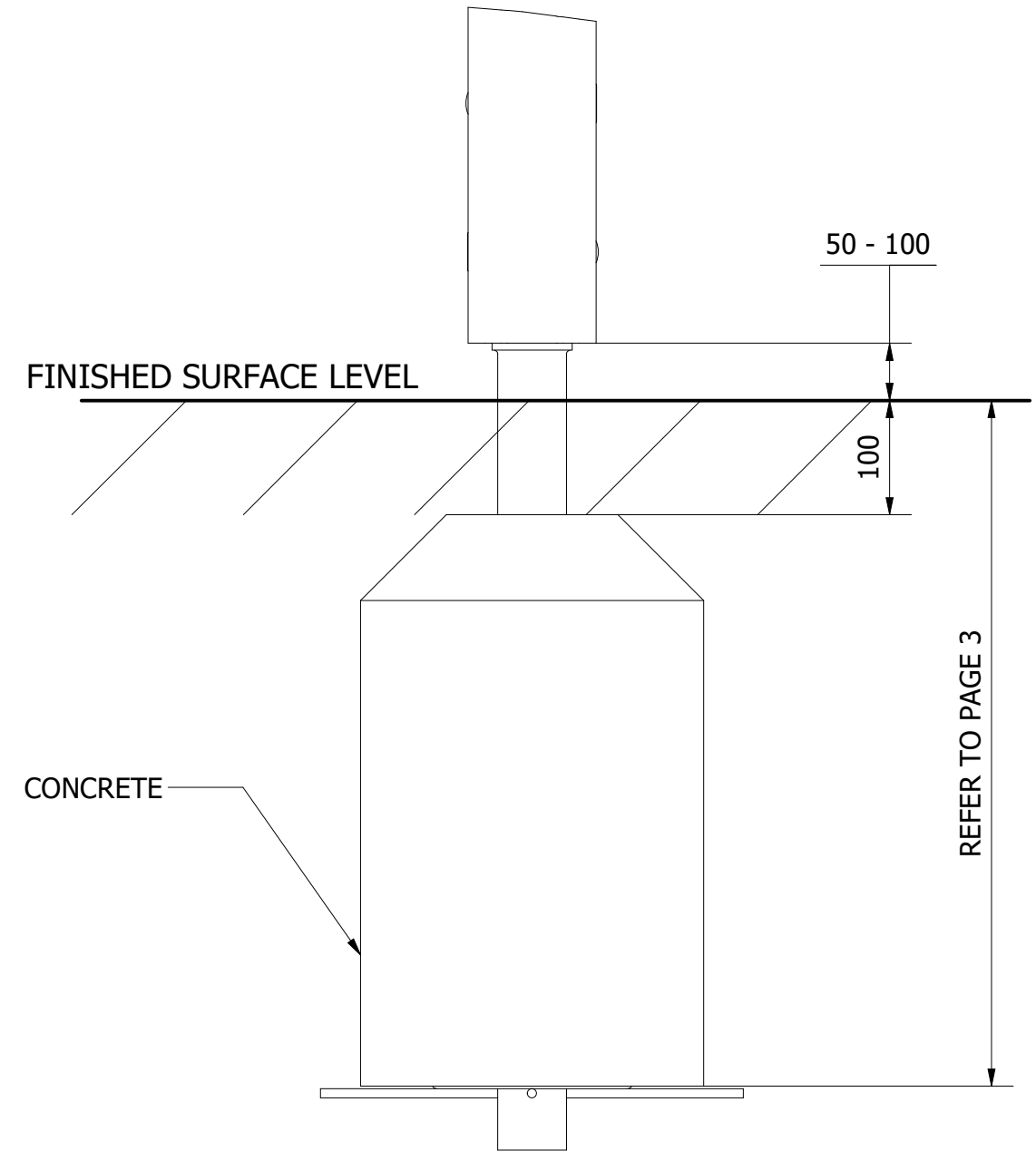
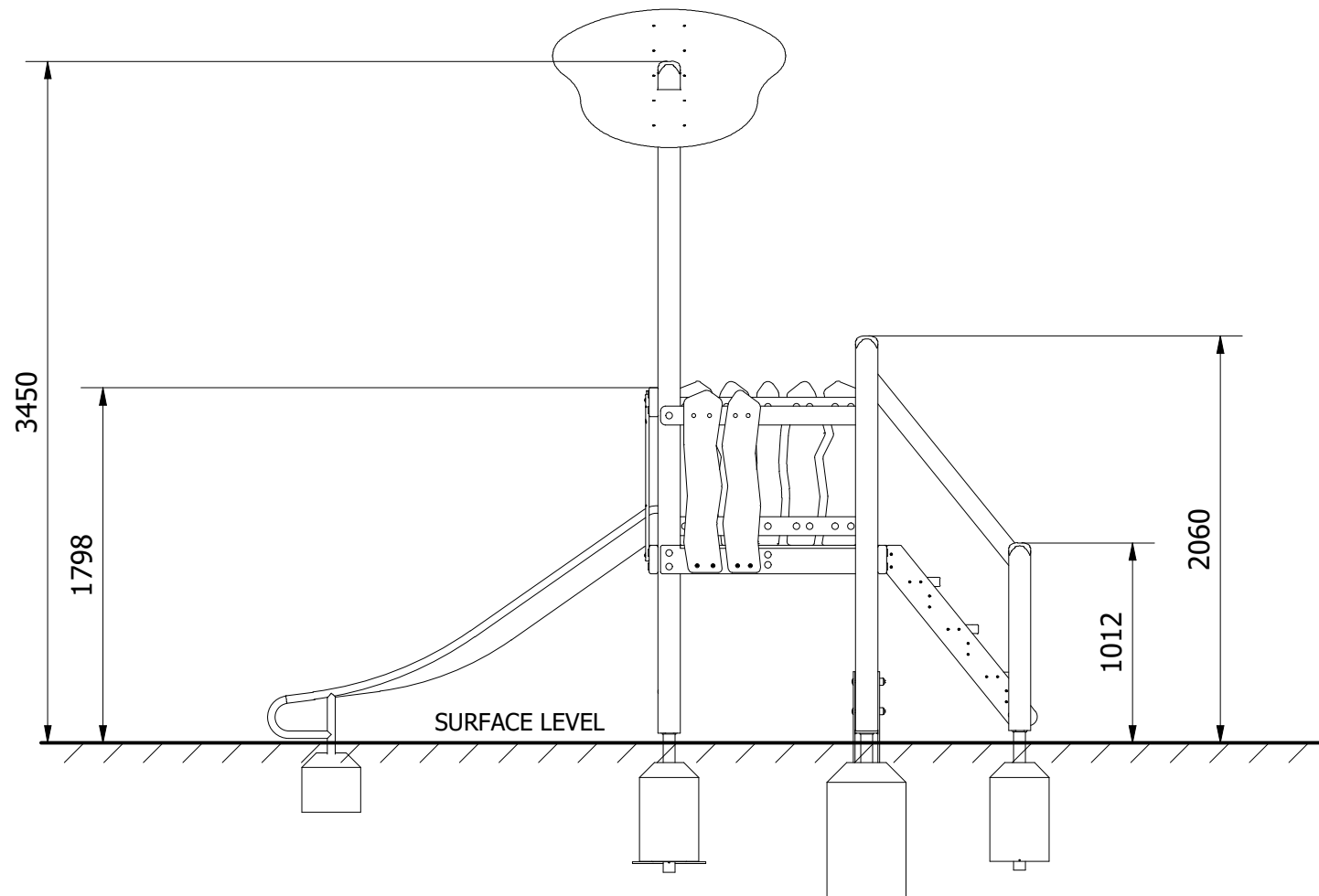
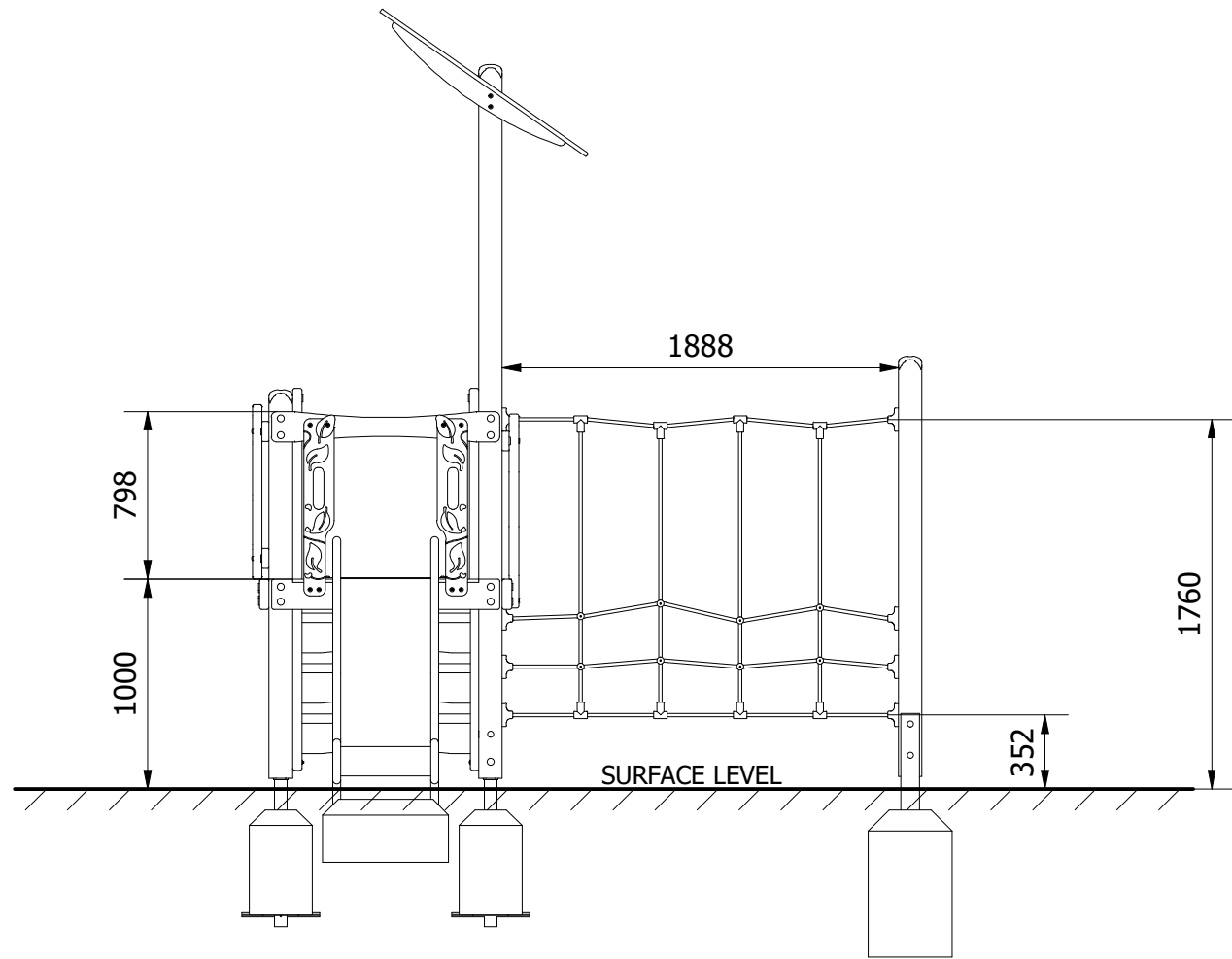
UNLESS OTHERWISE SPECIFIED:  
DIMENSIONS ARE IN MILLIMETERS  
TOLERANCES:  
LINEAR: ±2MM  
1 DECIMAL PLACE: ±0.5MM  
ANGULAR: ±1°

**PROPRIETARY AND CONFIDENTIAL**  
THE INFORMATION CONTAINED IN THIS  
DRAWING IS THE SOLE PROPERTY OF  
FENLAND LEISURE PRODUCTS. ANY  
REPRODUCTION IN PART OR AS A WHOLE  
WITHOUT THE WRITTEN PERMISSION  
OF FENLAND  
LEISURE PRODUCTS IS PROHIBITED.



Title: PRO-500-217 PLUM MULTIPLAY (ORCH1)	
Product Range: MULTIPLAY TOWER	
Date: 26/07/2022	
Page: 3	
DO NOT SCALE FROM DRAWING	
Tel: 01354 638359 www.onlineplaygrounds.co.uk	
A3	

ENSURE UNIT IS LEVEL AND PLUMB, ALL FIXINGS HAVE BEEN TIGHTENED AND PROTECTIVE CAPS IN PLACE. ADD CONCRETE TO EACH FOUNDATION HOLE AND LEAVE FOR 48 HOURS.



UNLESS OTHERWISE SPECIFIED:  
DIMENSIONS ARE IN MILLIMETERS  
TOLERANCES:  
LINEAR: ±2MM  
1 DECIMAL PLACE: ±0.5MM  
ANGULAR: ±1°

**PROPRIETARY AND CONFIDENTIAL**  
THE INFORMATION CONTAINED IN THIS DRAWING IS THE SOLE PROPERTY OF FENLAND LEISURE PRODUCTS. ANY REPRODUCTION IN PART OR AS A WHOLE WITHOUT THE WRITTEN PERMISSION OF FENLAND LEISURE PRODUCTS IS PROHIBITED.

Title: PRO-500-217 PLUM MULTIPLAY (ORCH1)

Product Range: MULTIPLAY TOWER

Date:  
26/07/2022

Page: 4

A3



DO NOT SCALE FROM DRAWING

Tel: 01354 638359 www.onlineplaygrounds.co.uk