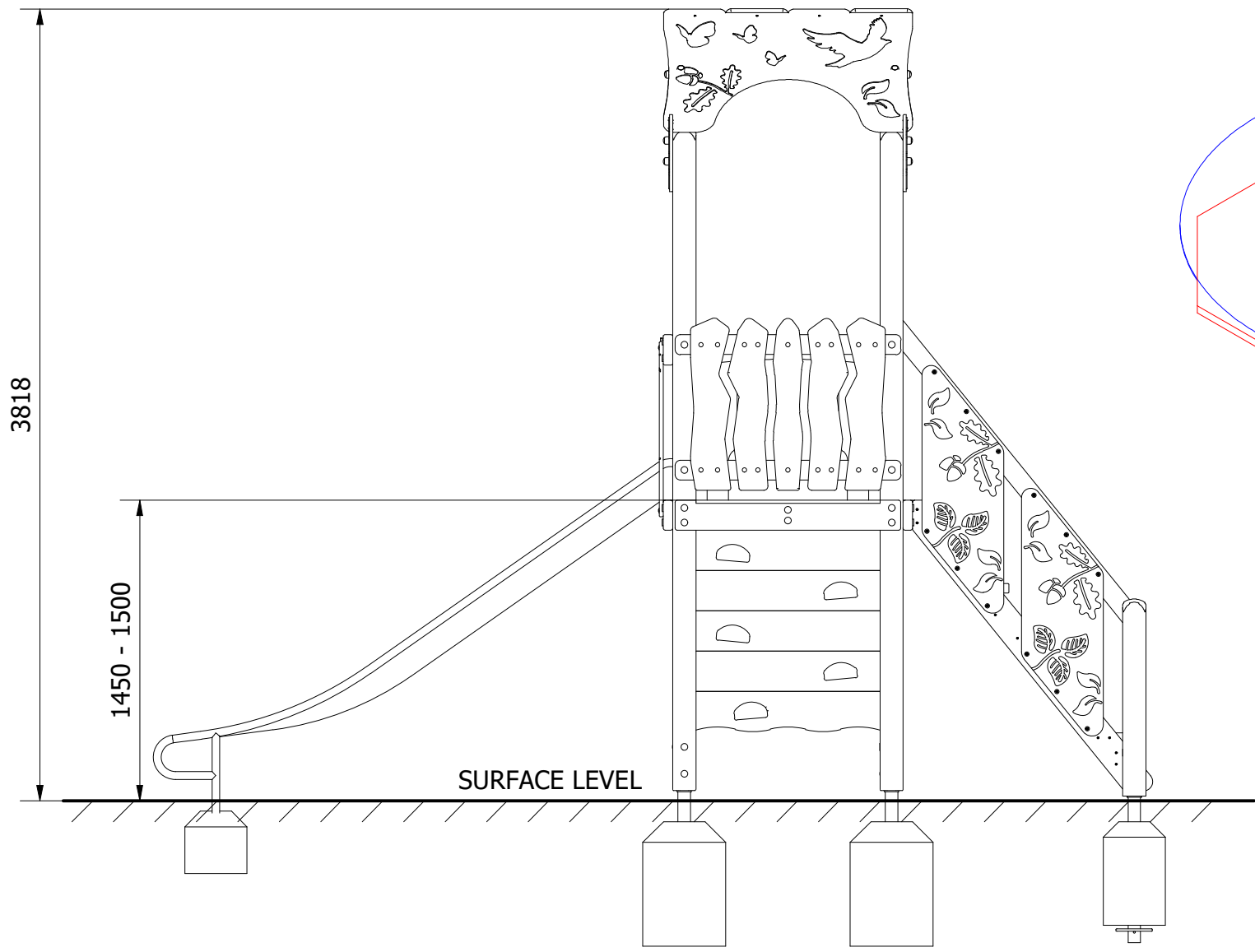
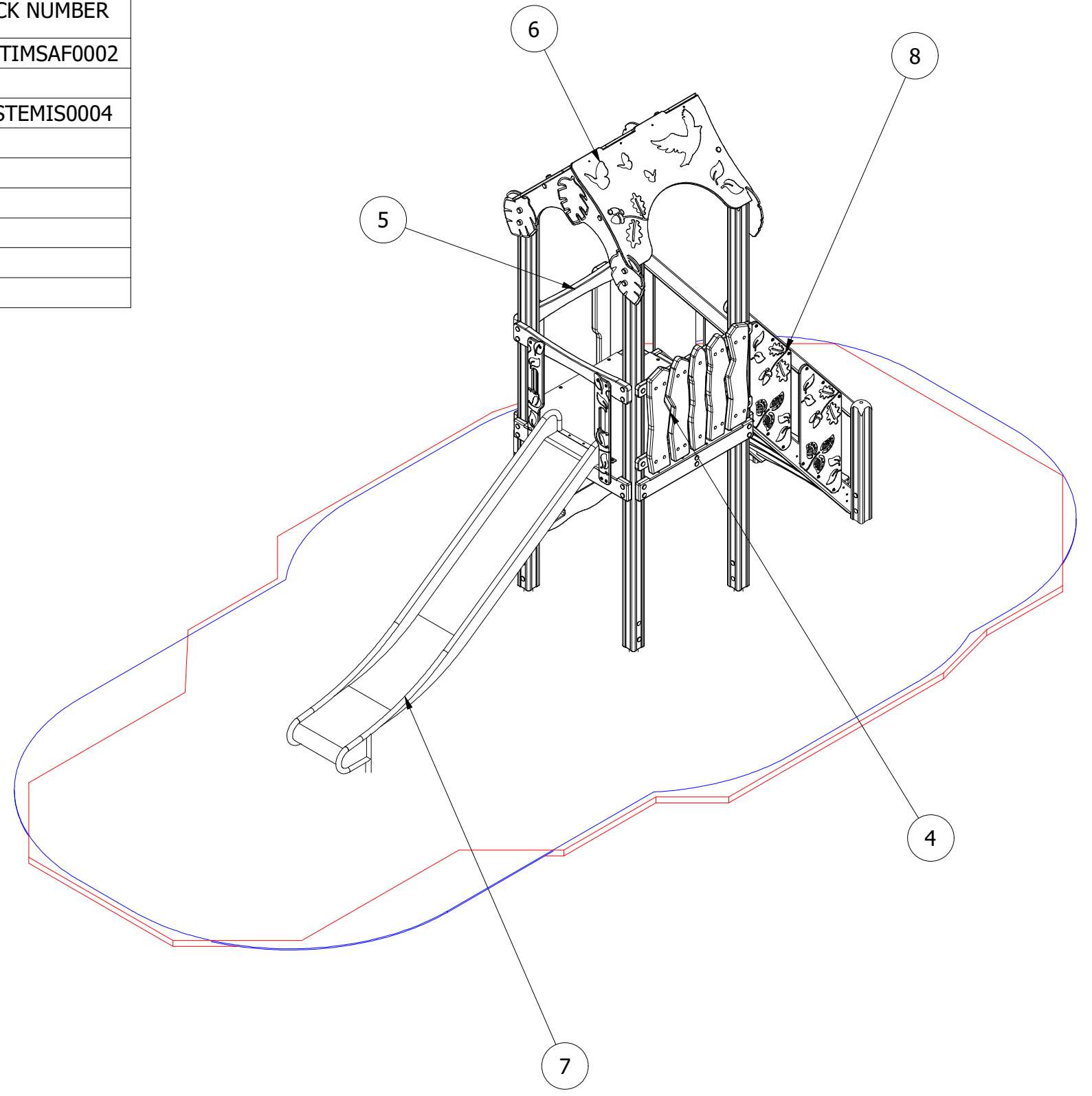
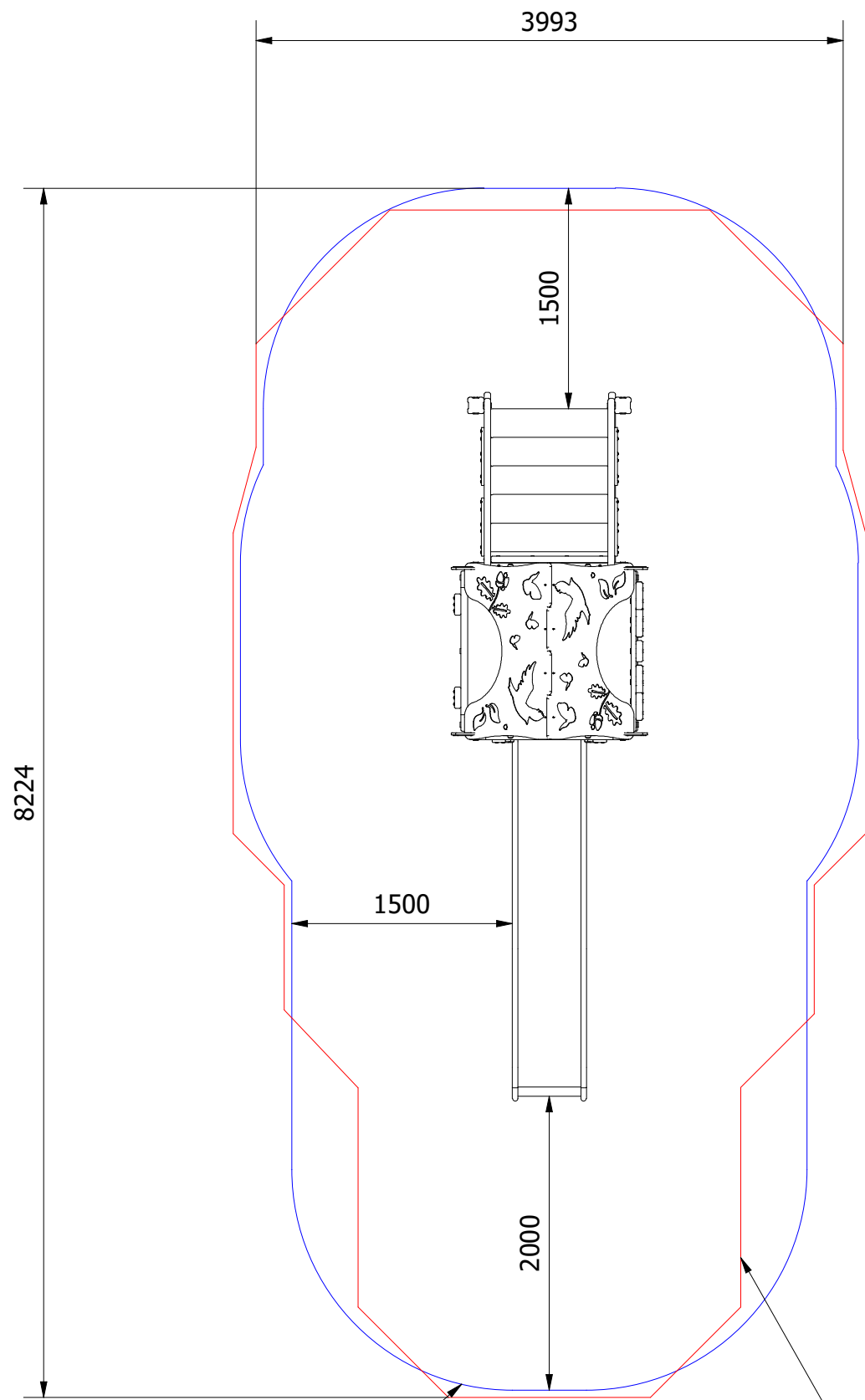


PARTS LIST

ITEM	QTY	PART NUMBER	DESCRIPTION	STOCK NUMBER
1	4	TB-200-557_B	3700 (3200 PF) x 112mm Safalog	COMTIMSAF0002
2	1	MOD-600-044 MULTIPLAY DECK	1200 X 1200 DECK	
3	4	MOD-600-116 GROUND FOOT	GROUND FOOT (112)	SUBSTEMIS0004
4	1	MOD-600-125 JUNGLE BARRIER	JUNGLE BARRIER	
5	1	MOD-600-130 1.5M CLIMBING WALL	1.5M CLIMBING WALL	
6	1	MOD-600-138 ORCHARD ROOF	ORCHARD ROOF	
7	1	MOD-600-149 1.5M ORCHARD SLIDE	1M ORCHARD SLIDE	
8	1	MOD-600-152 1.5M ORCHARD STAIRS	1M STAIRS	
9	4	400 x 400 x 600	0.096M <sup>3</sup> CONCRETE FOUNDATION	



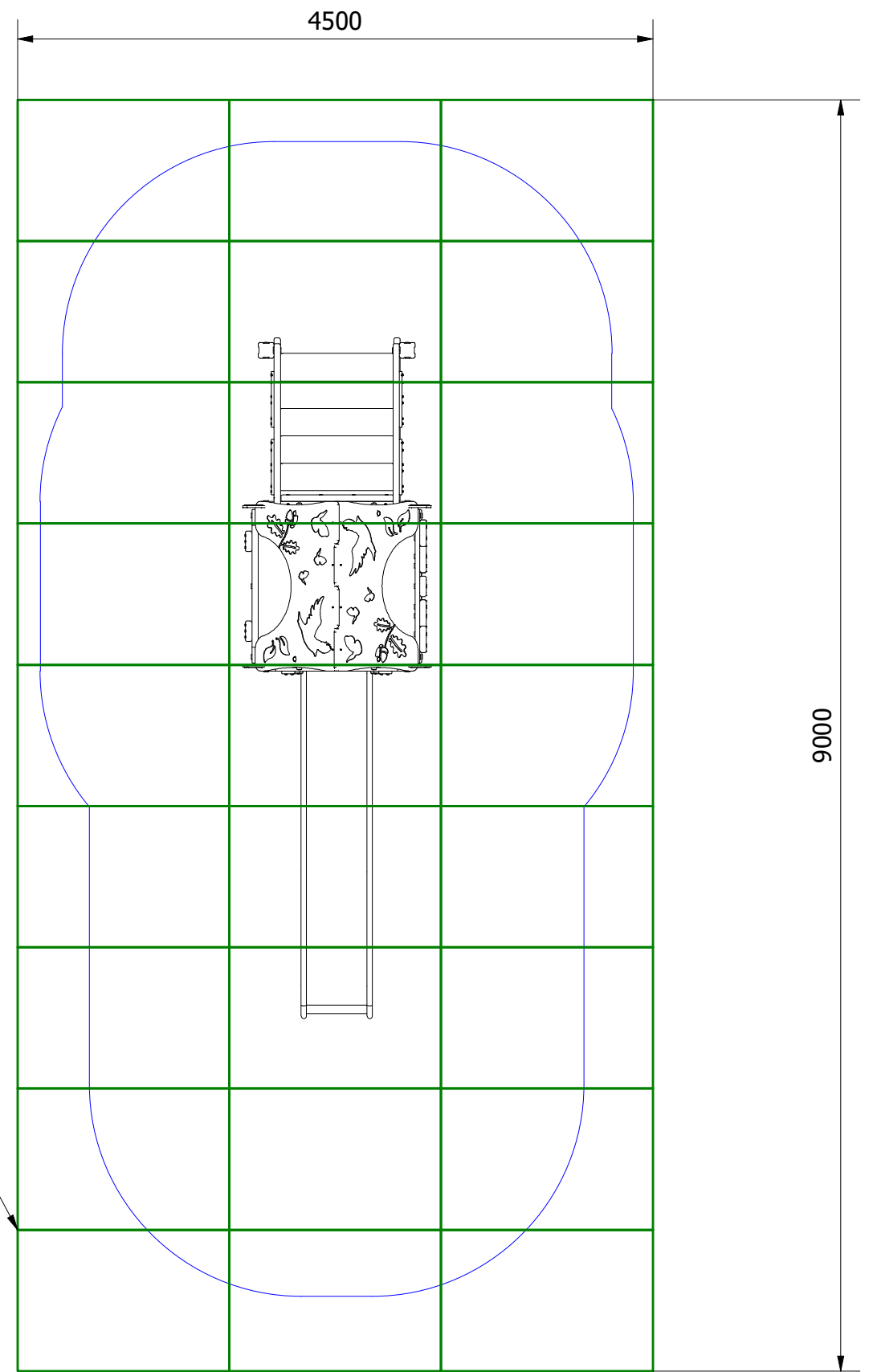
UNLESS OTHERWISE SPECIFIED: DIMENSIONS ARE IN MILLIMETERS TOLERANCES: LINEAR: ±2MM 1 DECIMAL PLACE: ±0.5MM ANGULAR: ±1°	<b>PROPRIETARY AND CONFIDENTIAL</b> THE INFORMATION CONTAINED IN THIS DRAWING IS THE SOLE PROPERTY OF FENLAND LEISURE PRODUCTS. ANY REPRODUCTION IN PART OR AS A WHOLE WITHOUT THE WRITTEN PERMISSION OF FENLAND LEISURE PRODUCTS IS PROHIBITED.	Title: <b>PRO-500-220 DAMSON MULTIPLAY (JUNG2)</b>	
		Product Range: <b>MULTIPLAY TOWER</b>	
		1.5M FFH	Date: 09/11/2022
		DO NOT SCALE FROM DRAWING	
		Tel: 01354 638359 www.onlineplaygrounds.co.uk	
		Page: 1	A3



WETPOUR AREA = 28.0M<sup>2</sup>  
 PERIMETER = 21.7 L/M

MIN SPACE

27 SAFAGRASS TILES (1.5 X 1.0)



UNLESS OTHERWISE SPECIFIED:  
 DIMENSIONS ARE IN MILLIMETERS  
 TOLERANCES:  
 LINEAR: ±2MM  
 1 DECIMAL PLACE: ±0.5MM  
 ANGULAR: ±1°

**PROPRIETARY AND CONFIDENTIAL**  
 THE INFORMATION CONTAINED IN THIS  
 DRAWING IS THE SOLE PROPERTY OF  
 FENLAND LEISURE PRODUCTS. ANY  
 REPRODUCTION IN PART OR AS A WHOLE  
 WITHOUT THE WRITTEN PERMISSION  
 OF FENLAND  
 LEISURE PRODUCTS IS PROHIBITED.

Title: PRO-500-220 DAMSON MULTIPLAY (JUNG2)

Product Range: MULTIPLAY TOWER

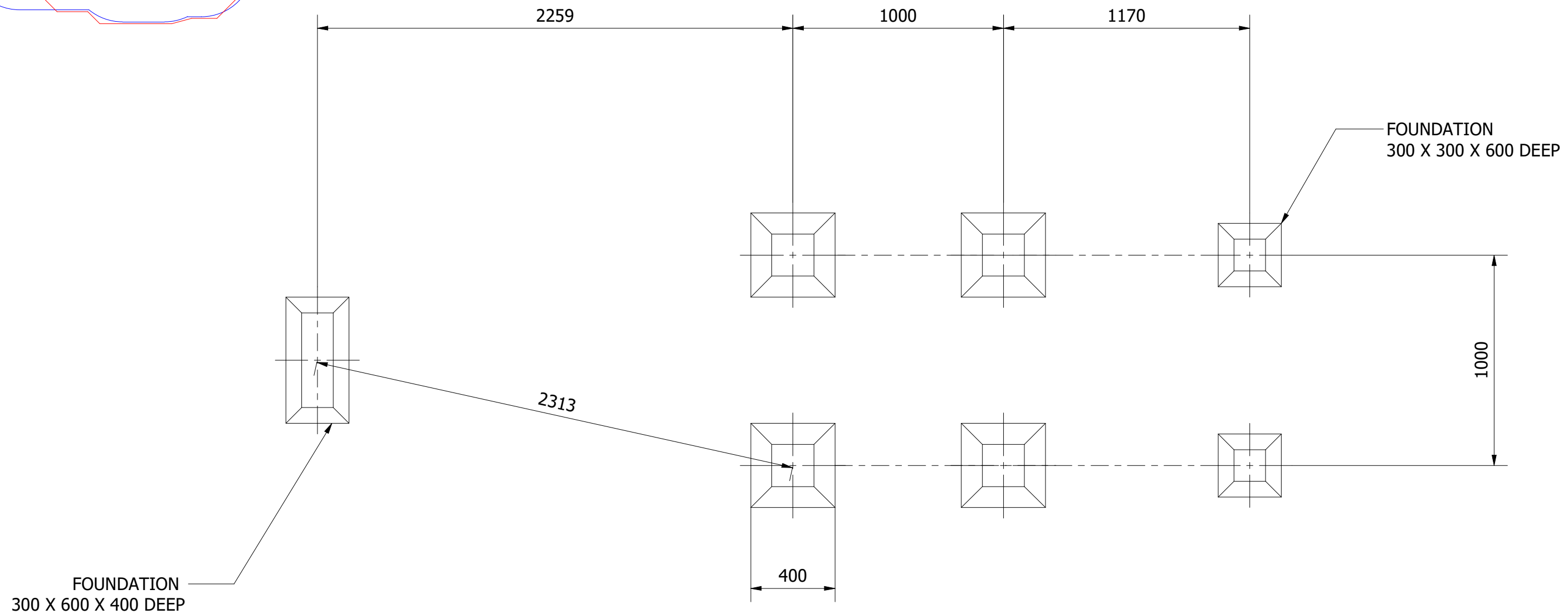
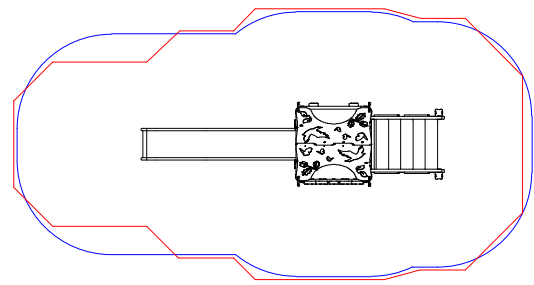
Date:  
09/11/2022

Page: 2

A3



DO NOT SCALE FROM DRAWING  
 Tel: 01354 638359 www.onlineplaygrounds.co.uk



FOUNDATION  
300 X 600 X 400 DEEP

FOUNDATION  
300 X 300 X 600 DEEP

UNLESS OTHERWISE SPECIFIED:  
DIMENSIONS ARE IN MILLIMETERS  
TOLERANCES:  
LINEAR: ±2MM  
1 DECIMAL PLACE: ±0.5MM  
ANGULAR: ±1°

**PROPRIETARY AND CONFIDENTIAL**  
THE INFORMATION CONTAINED IN THIS  
DRAWING IS THE SOLE PROPERTY OF  
FENLAND LEISURE PRODUCTS. ANY  
REPRODUCTION IN PART OR AS A WHOLE  
WITHOUT THE WRITTEN PERMISSION  
OF FENLAND  
LEISURE PRODUCTS IS PROHIBITED.

Title: PRO-500-220 DAMSON MULTIPLAY (JUNG2)

Product Range: MULTIPLAY TOWER

Date:  
09/11/2022

Page: 3

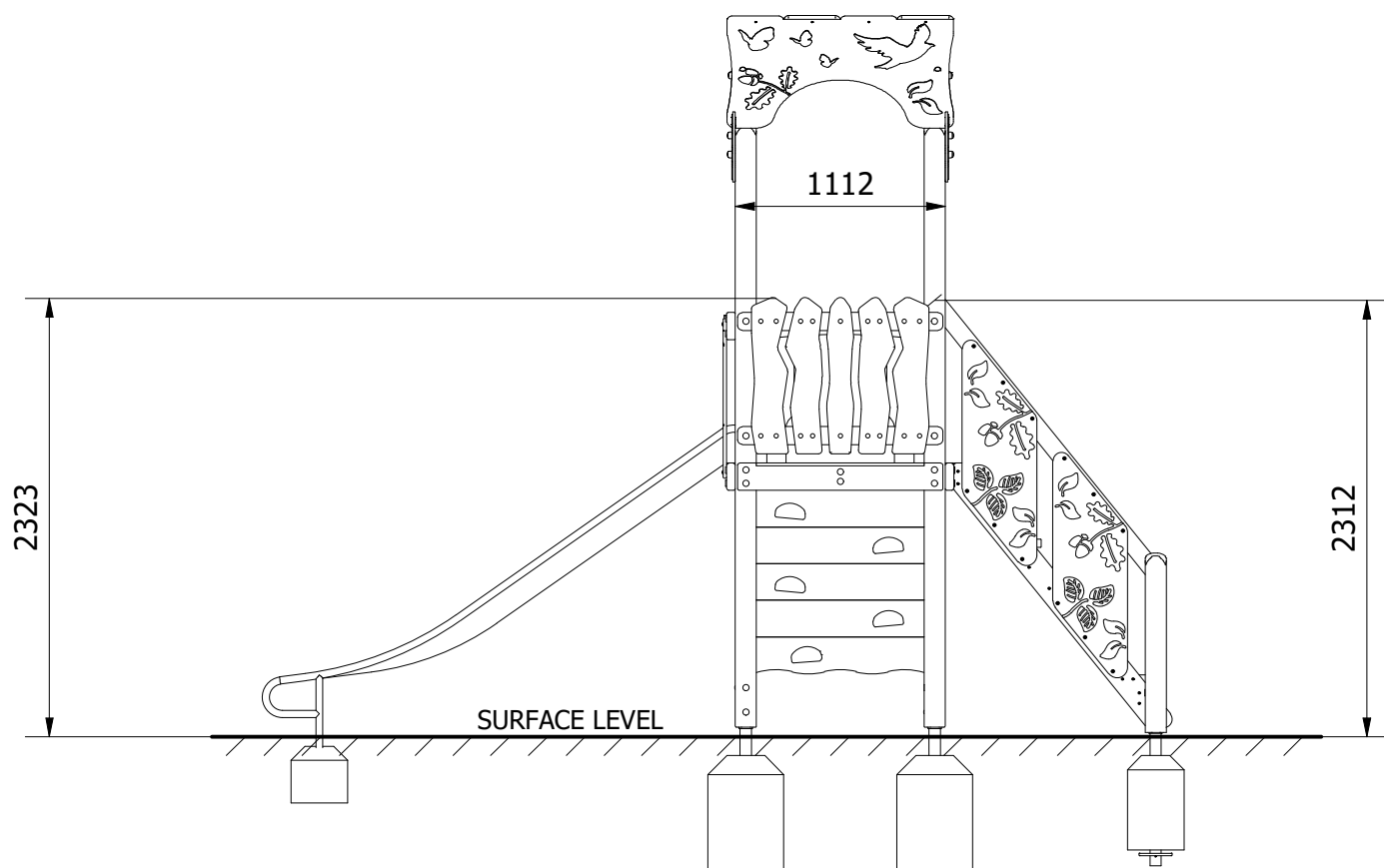
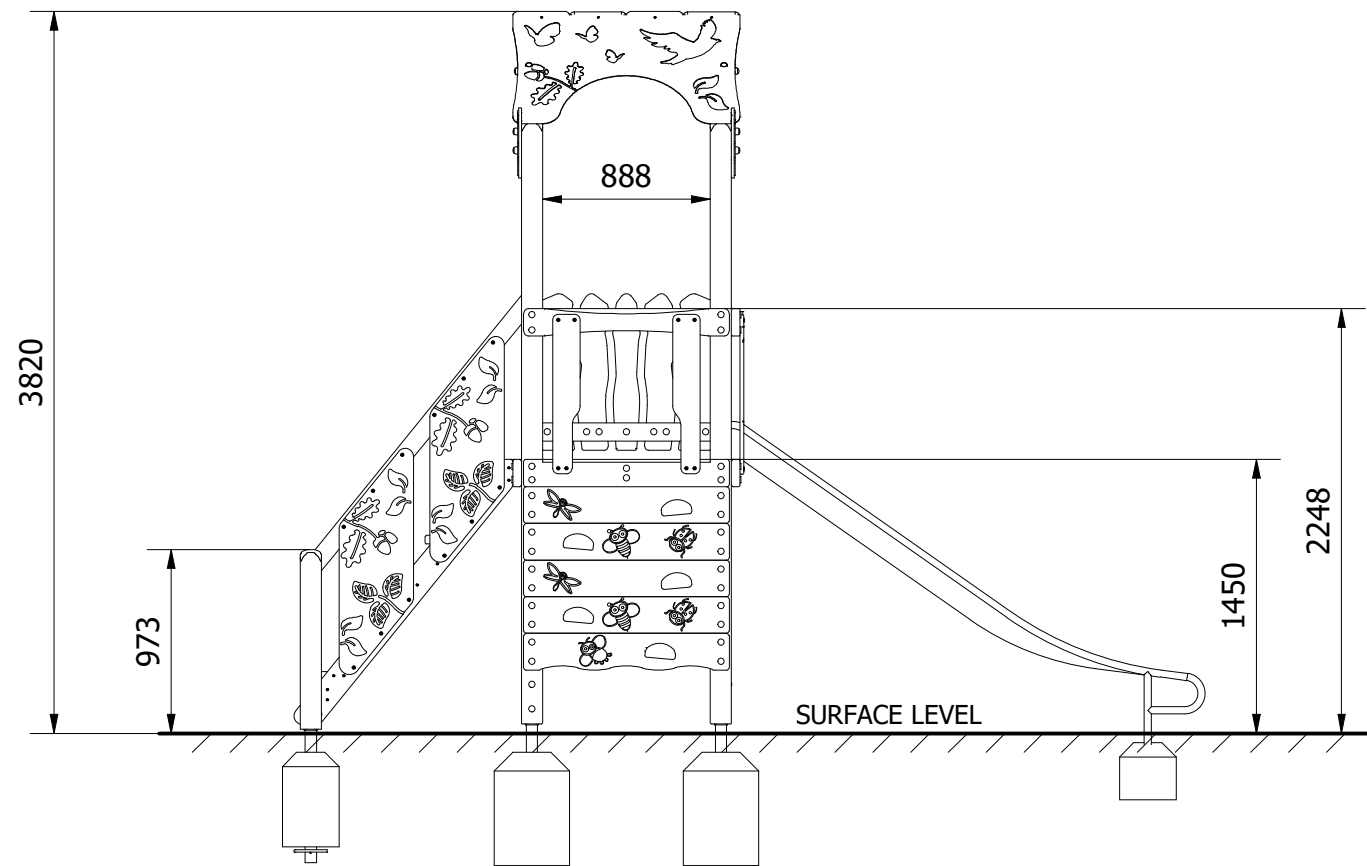
A3



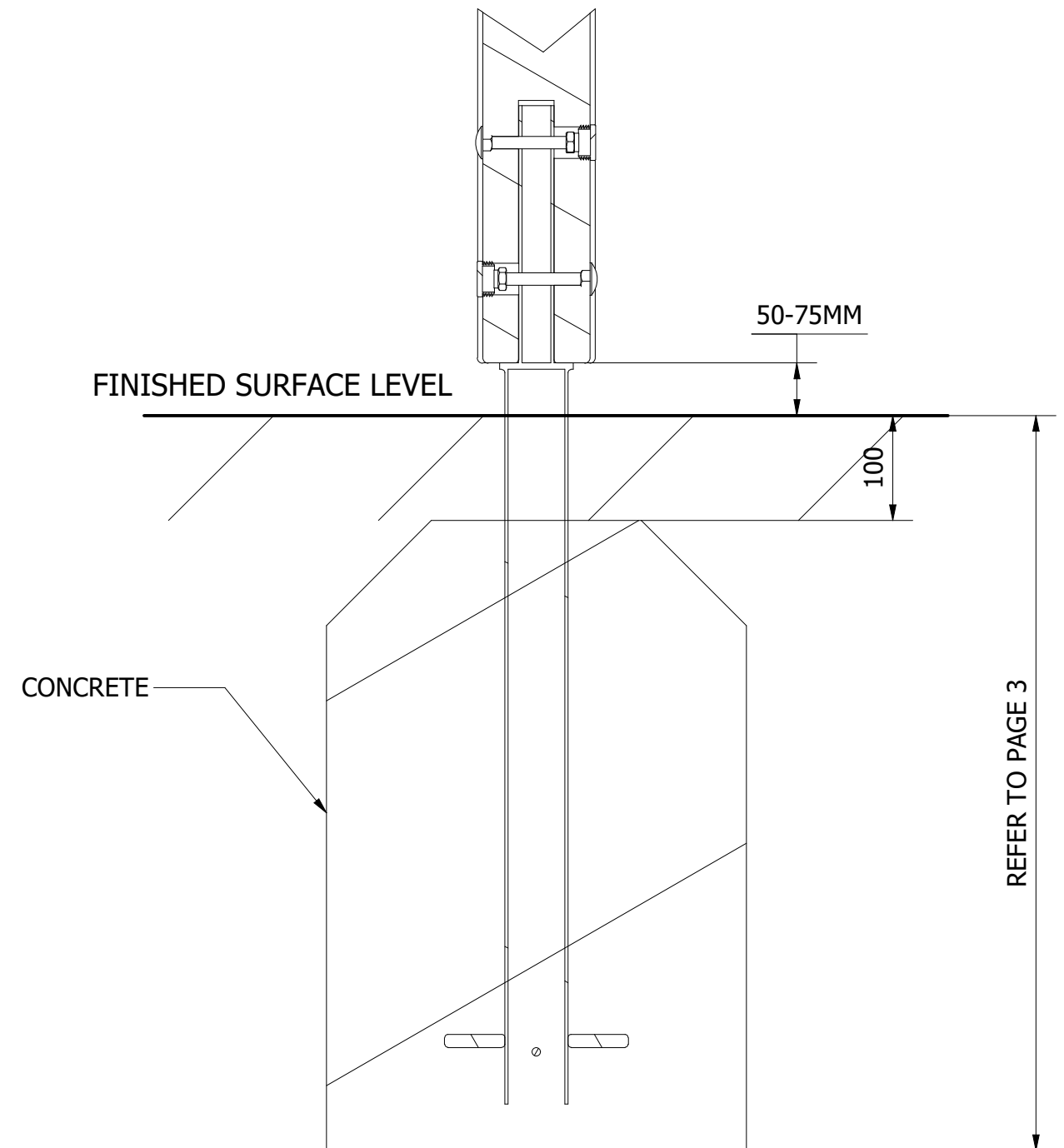
DO NOT SCALE FROM DRAWING

Tel: 01354 638359 www.onlineplaygrounds.co.uk

ALL FOUNDATIONS 400 X 400 X 700 DEEP UNLESS OTHERWISE SPECIFIED



ENSURE UNIT IS LEVEL AND PLUMB, ALL FIXINGS HAVE BEEN TIGHTENED AND PROTECTIVE CAPS IN PLACE. ADD CONCRETE TO EACH FOUNDATION HOLE AND LEAVE FOR 48 HOURS.



UNLESS OTHERWISE SPECIFIED:  
DIMENSIONS ARE IN MILLIMETERS  
TOLERANCES:  
LINEAR: ±2MM  
1 DECIMAL PLACE: ±0.5MM  
ANGULAR: ±1°

**PROPRIETARY AND CONFIDENTIAL**  
THE INFORMATION CONTAINED IN THIS DRAWING IS THE SOLE PROPERTY OF FENLAND LEISURE PRODUCTS. ANY REPRODUCTION IN PART OR AS A WHOLE WITHOUT THE WRITTEN PERMISSION OF FENLAND LEISURE PRODUCTS IS PROHIBITED.

Title: PRO-500-220 DAMSON MULTIPLAY (JUNG2)

Product Range: MULTIPLAY TOWER

Date:  
09/11/2022

Page: 4

A3



DO NOT SCALE FROM DRAWING

Tel: 01354 638359 www.onlineplaygrounds.co.uk