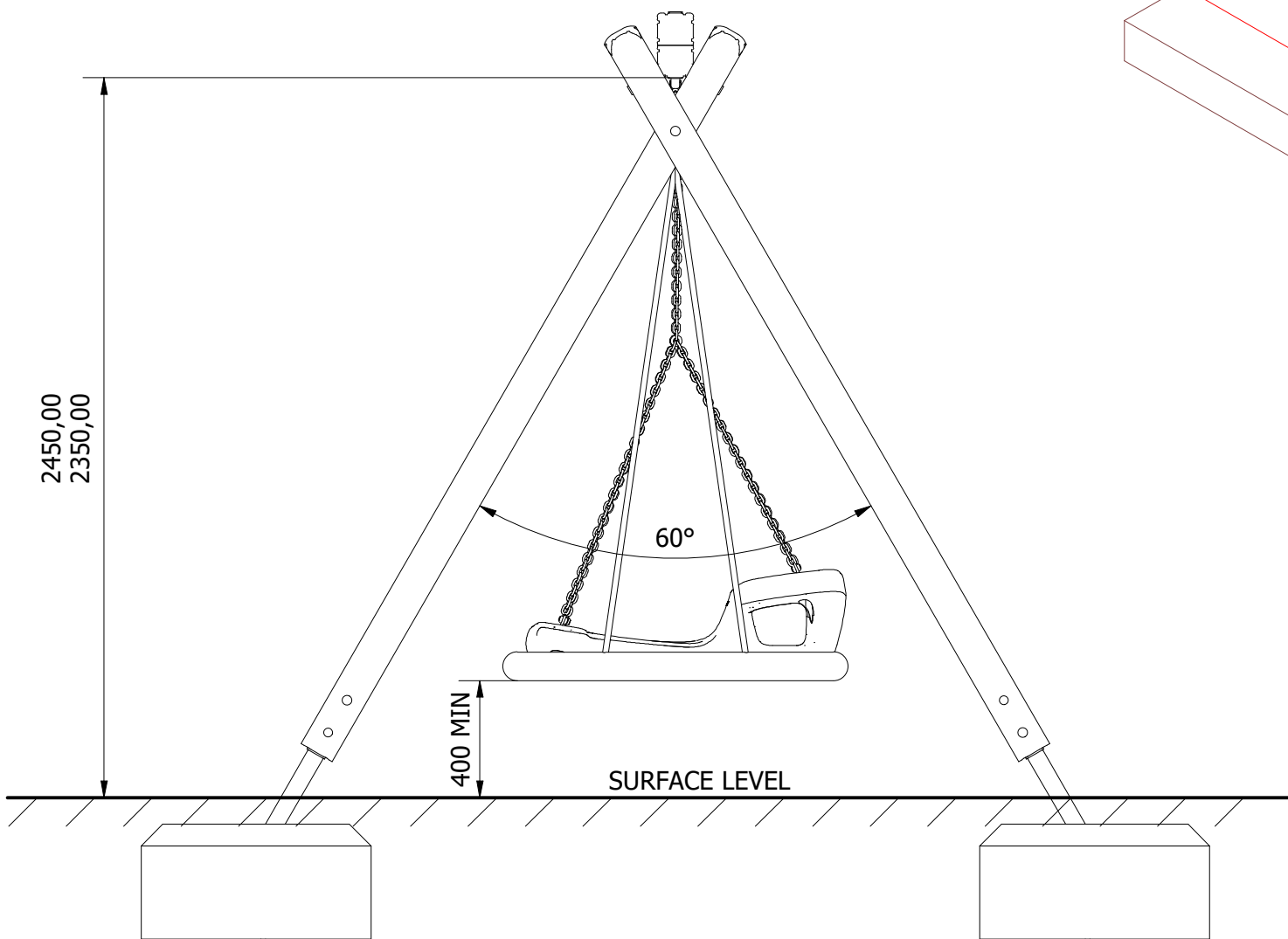
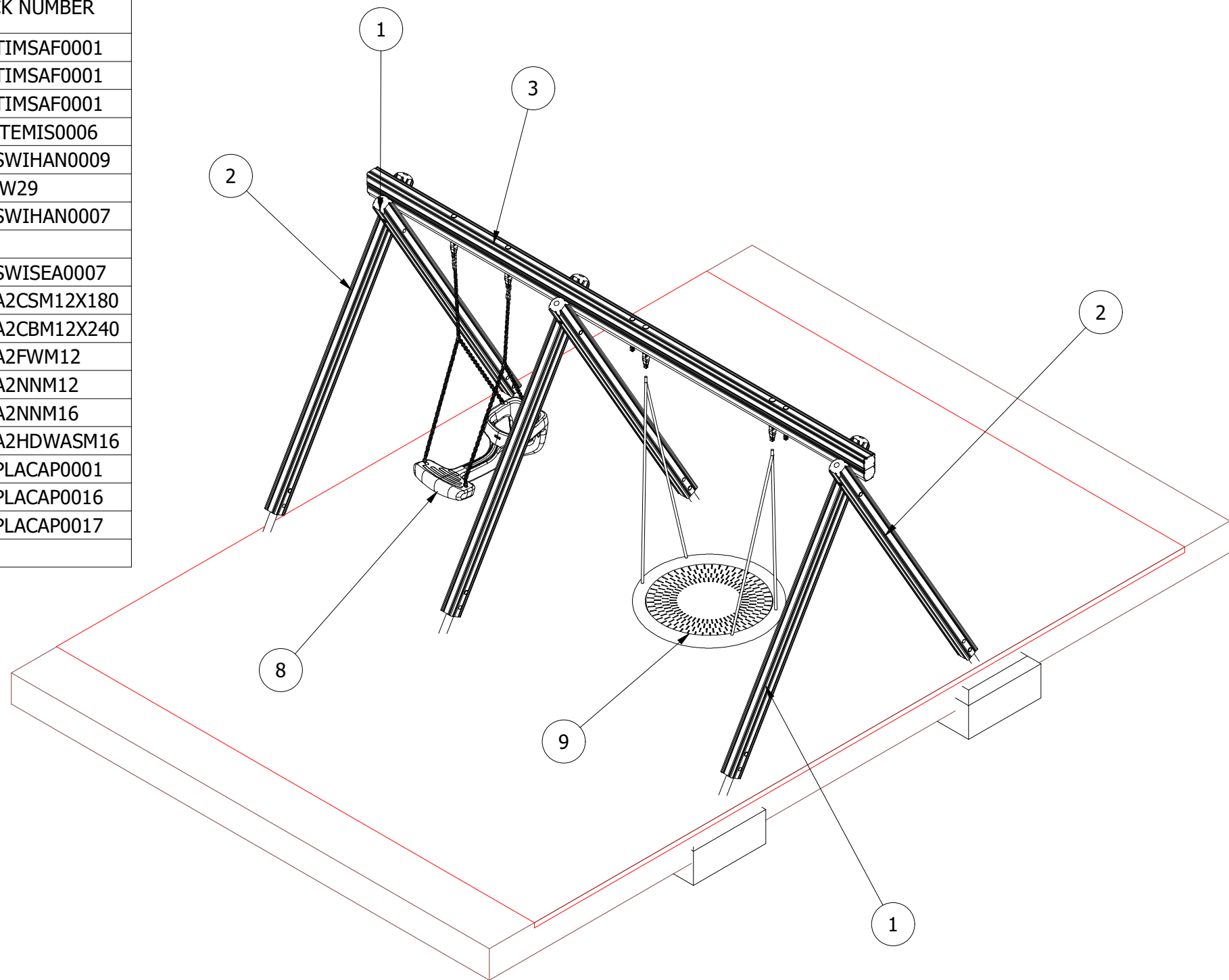


PARTS LIST

| ITEM | QTY | PART NUMBER                   | DESCRIPTION                             | STOCK NUMBER   |
|------|-----|-------------------------------|---|----------------|
| 1    | 3   | TB-200-595                    | 2900 x 125 Safalog                      | COMTIMSAF0001  |
| 2    | 3   | TB-200-596                    | 2900 x 125 Safalog                      | COMTIMSAF0001  |
| 3    | 1   | TB-200-1068                   | 2 X 5500MM X 125MM SAFALOG (BONDED)     | COMTIMSAF0001  |
| 4    | 6   | MOD-600-121 GROUND FOOT (125) | GROUND FOOT (125)                       | SUBSTEMIS0006  |
| 5    | 2   | SW8 SECURITY BOLT             | SECURITY BOLT                           | COMSWIHAN0009  |
| 6    | 2   | SW29 SWING FITTING            | UNIVERSAL SWING FITTING                 | SUBSW29        |
| 7    | 2   | SW42 SWING FITTING            | UNIVERSAL SWING FITTING                 | COMSWIHAN0007  |
| 8    | 1   | TANGO SEAT (8053217)          | TANGO SEAT (8053217)                    |                |
| 9    | 1   | BASKET SEAT                   | 1M BIRDS NEST SWING SEAT                | COMSWISEA0007  |
| 10   | 6   | M12 X 180 COACH SCREW         | M12 X 180 COACH SCREW                   | COMA2CSM12X180 |
| 11   | 3   | M12 X 240 COACH BOLT          | M12 x 240 (DIN 603)                     | COMA2CBM12X240 |
| 12   | 11  | M12 WASHER                    | M12 WASHER (DIN 125)                    | COMA2FWM12     |
| 13   | 5   | M12 NYLOC NUT                 | M12 NYLOC NUT (DIN 985)                 | COMA2NNM12     |
| 14   | 4   | M16 NYLOC NUT                 | M16 NYLOC NUT (DIN 985)                 | COMA2NNM16     |
| 15   | 4   | M16 HDWASHER                  | M16 HDWASHER (DIN 7439)                 | COMA2HDWASM16  |
| 16   | 9   | 30MM BOLT COVER               | 30MM BLACK CAP                          | COMPLACAP0001  |
| 17   | 4   | 38MM BOLT COVER               | 38MM CAP                                | COMPLACAP0016  |
| 18   | 2   | 45MM BOLT COVER               | 45MM CAP                                | COMPLACAP0017  |
| 19   | 6   | 400 x 800 x 400               | 0.128M <sup>3</sup> CONCRETE FOUNDATION |                |



UNLESS OTHERWISE SPECIFIED:  
DIMENSIONS ARE IN MILLIMETERS  
TOLERANCES:  
LINEAR: ±2MM  
1 DECIMAL PLACE: ±0.5MM  
ANGULAR: ±1°

**PROPRIETARY AND CONFIDENTIAL**  
THE INFORMATION CONTAINED IN THIS  
DRAWING IS THE SOLE PROPERTY OF  
FENLAND LEISURE PRODUCTS. ANY  
REPRODUCTION IN PART OR AS A WHOLE  
WITHOUT THE WRITTEN PERMISSION  
OF FENLAND  
LEISURE PRODUCTS IS PROHIBITED.

Title: **PRO-500-241 DOUBLE BAY BASKET & TANGO SEAT SWING**

Product Range: **PLAYGROUND EQUIPMENT**

<1.5M FFH

Date:  
30/03/2022

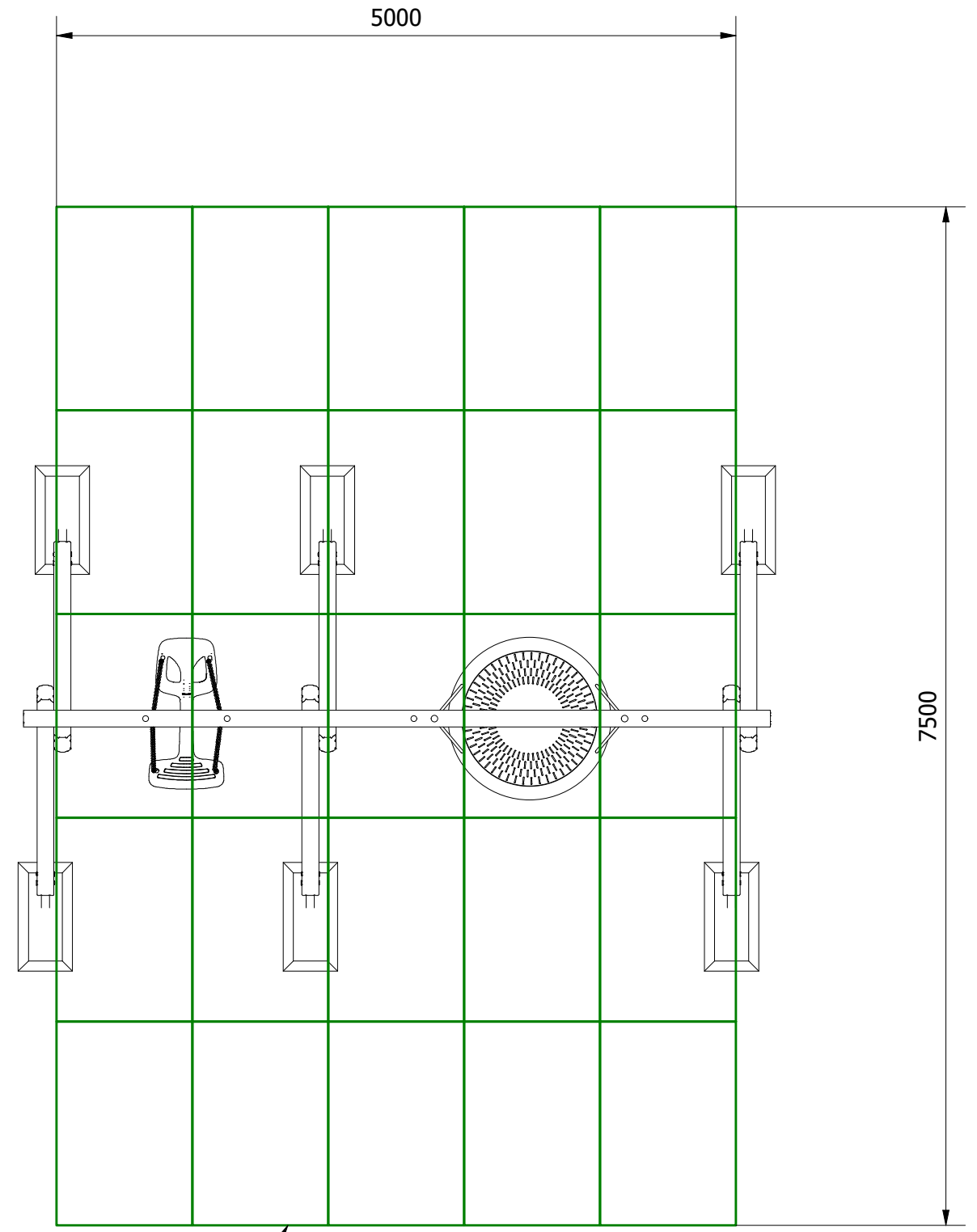
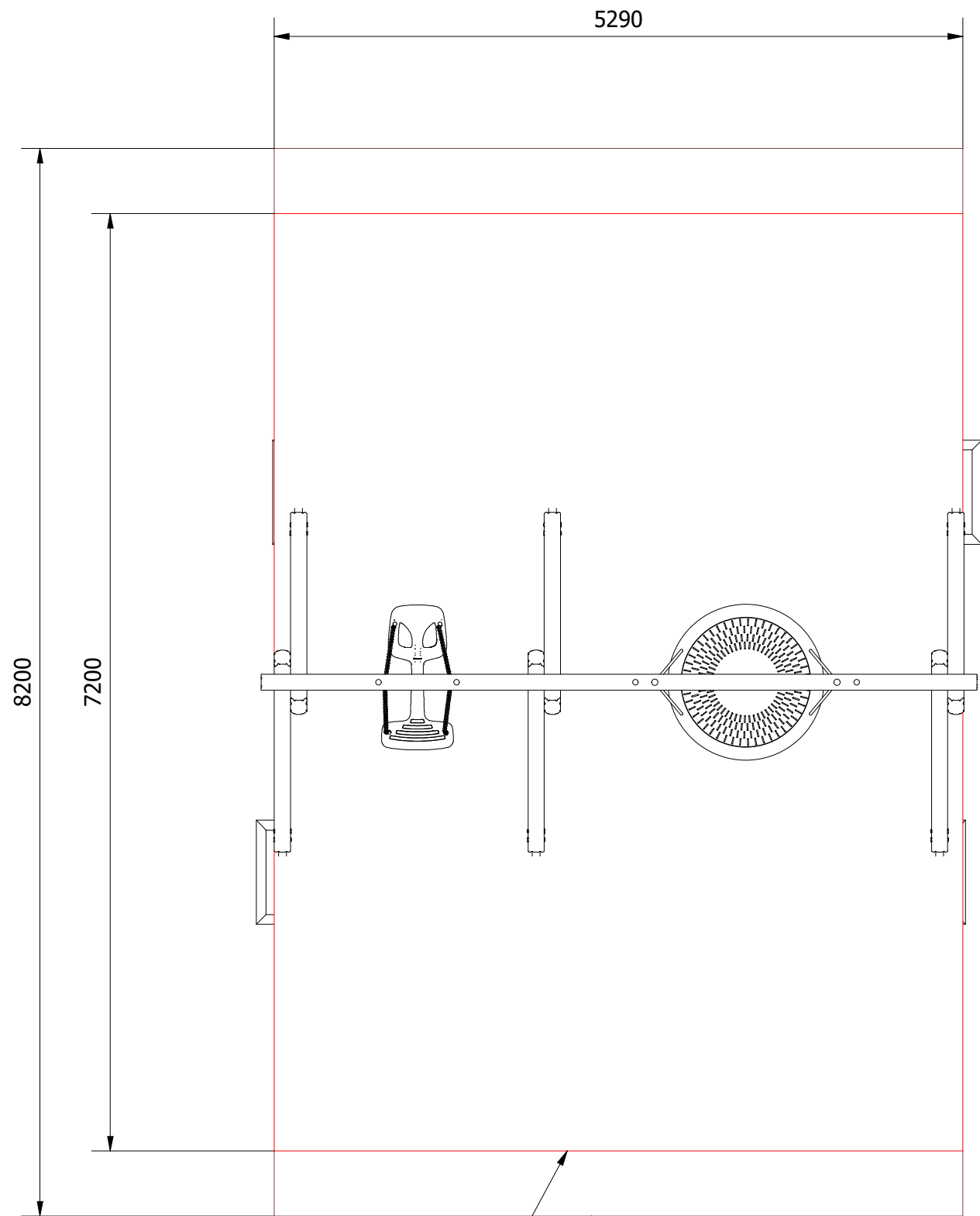
Page: 1

A3



DO NOT SCALE FROM DRAWING

Tel: 01354 638359 www.onlineplaygrounds.co.uk



25 SAFAGRASS TILES (1.5M X 1.0M)

WETPOUR SURFACING  
 AREA = 38.0M<sup>2</sup>  
 PERIMETER = 25.0 L/M

LOOSEFILL SURFACING  
 AREA = 43.4M<sup>2</sup>  
 PERIMETER = 27 L/M

UNLESS OTHERWISE SPECIFIED:  
 DIMENSIONS ARE IN MILLIMETERS  
 TOLERANCES:  
 LINEAR: ±2MM  
 1 DECIMAL PLACE: ±0.5MM  
 ANGULAR: ±1°

**PROPRIETARY AND CONFIDENTIAL**  
 THE INFORMATION CONTAINED IN THIS  
 DRAWING IS THE SOLE PROPERTY OF  
 FENLAND LEISURE PRODUCTS. ANY  
 REPRODUCTION IN PART OR AS A WHOLE  
 WITHOUT THE WRITTEN PERMISSION  
 OF FENLAND  
 LEISURE PRODUCTS IS PROHIBITED.

Title: PRO-500-241 DOUBLE BAY BASKET & TANGO SEAT SWING

Product Range: PLAYGROUND EQUIPMENT

Date:  
30/03/2022

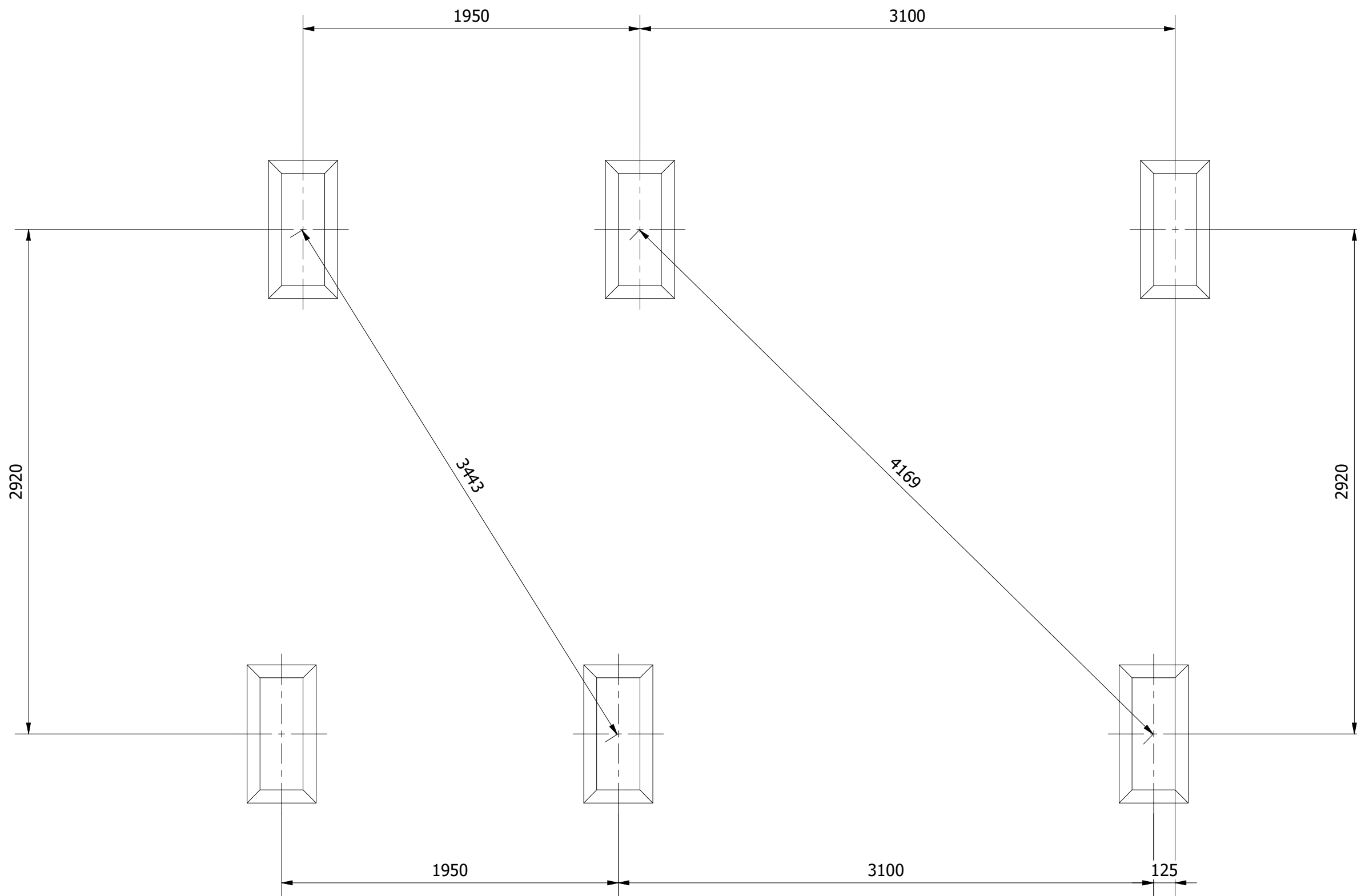
Page: 2

A3



DO NOT SCALE FROM DRAWING

Tel: 01354 638359 www.onlineplaygrounds.co.uk



UNLESS OTHERWISE SPECIFIED:  
DIMENSIONS ARE IN MILLIMETERS  
TOLERANCES:  
LINEAR: ±2MM  
1 DECIMAL PLACE: ±0.5MM  
ANGULAR: ±1°

**PROPRIETARY AND CONFIDENTIAL**  
THE INFORMATION CONTAINED IN THIS  
DRAWING IS THE SOLE PROPERTY OF  
FENLAND LEISURE PRODUCTS. ANY  
REPRODUCTION IN PART OR AS A WHOLE  
WITHOUT THE WRITTEN PERMISSION  
OF FENLAND  
LEISURE PRODUCTS IS PROHIBITED.

Title: **PRO-500-241 DOUBLE BAY BASKET & TANGO SEAT SWING**

Product Range: **PLAYGROUND EQUIPMENT**

Date:  
30/03/2022

Page: 3

A3



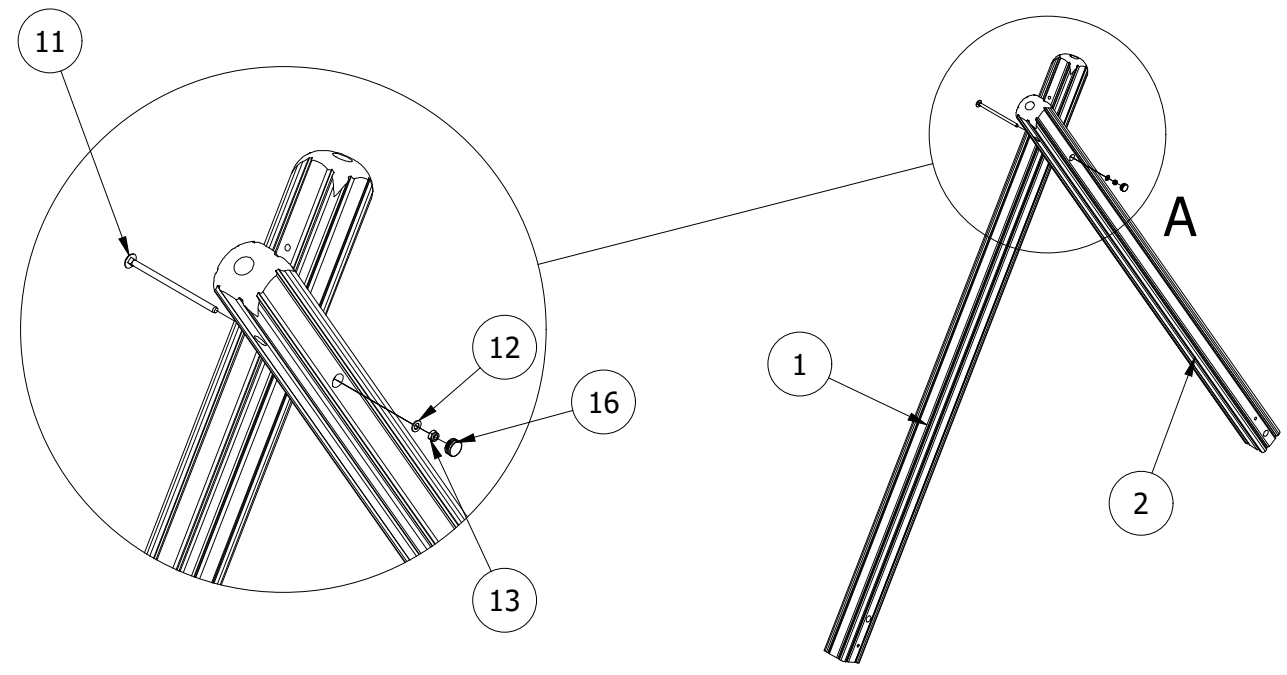
DO NOT SCALE FROM DRAWING

Tel: 01354 638359 www.onlineplaygrounds.co.uk

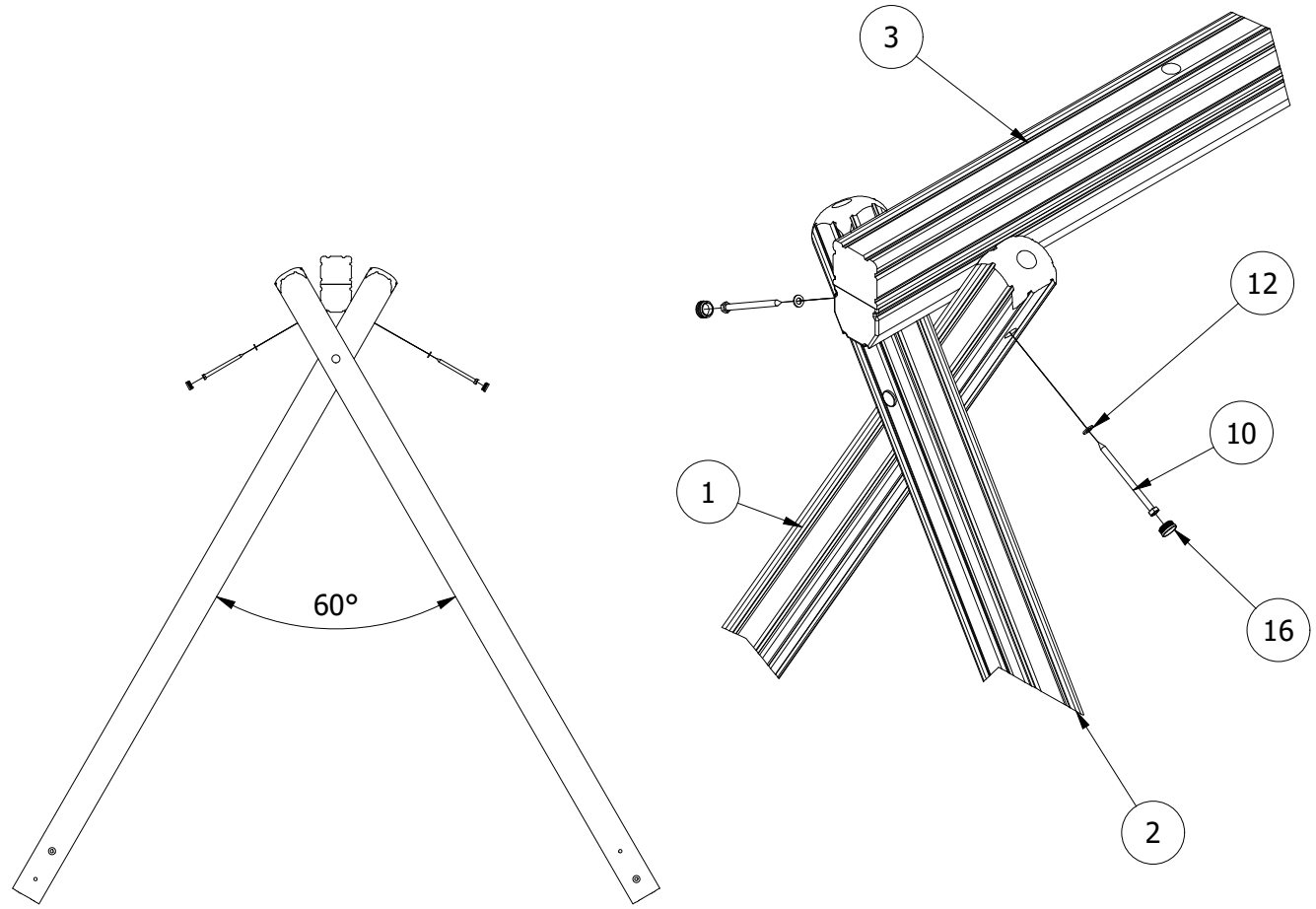
ALL FOUNDATIONS 400 X 800 X 500 DEEP UNLESS OTHERWISE SPECIFIED

1. CREATE THE TWO SWING A-FRAMES USING THE SUPPLIED FIXINGS AS ILLUSTRATED BELOW.

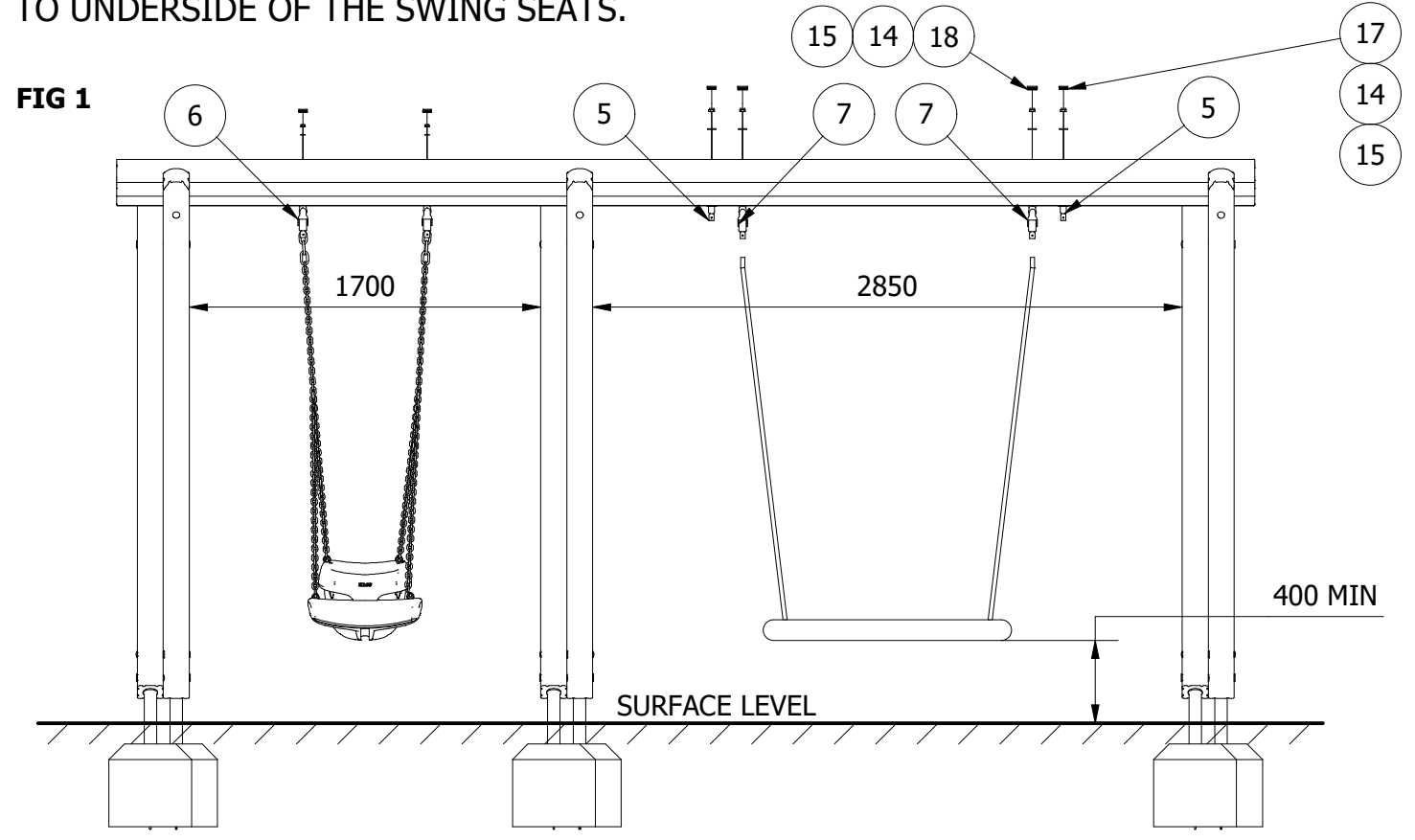
**NOTE:** TO REDUCE THE RISK OF STEEL GALLING, USE LUBRICANT ON ALL STAINLESS STEEL FIXINGS



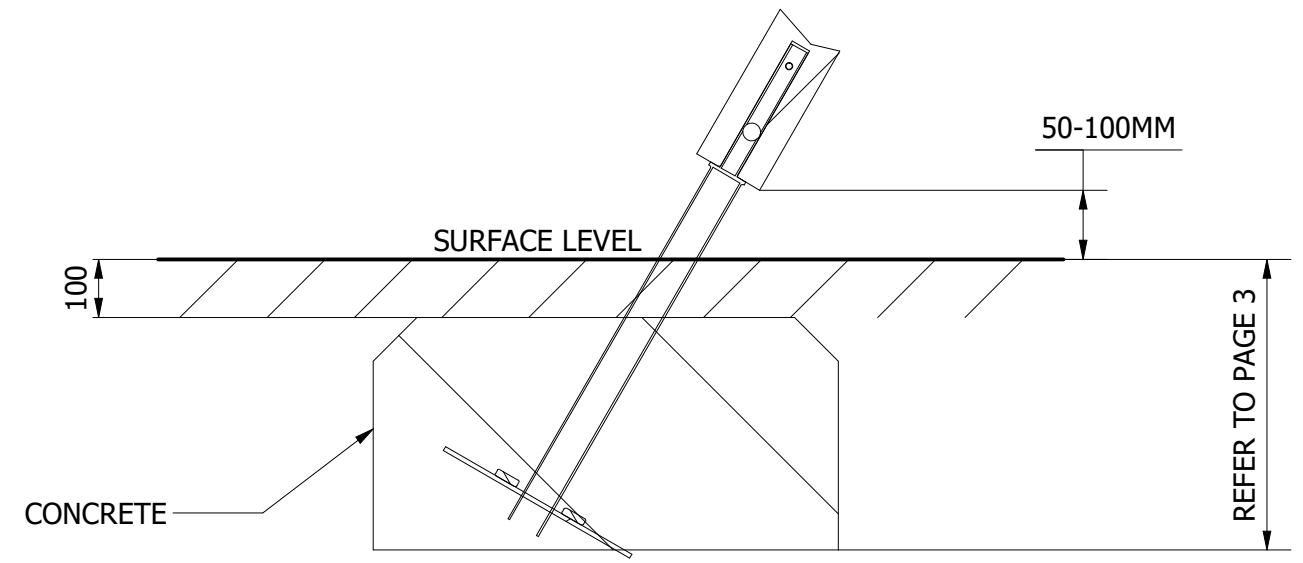
2. POSITION THE A-FRAMES INTO THE FOUNDATION HOLES AND BRACE. (TAKE NOTE OF THE POSITION OF THE POSTS AS SHOWN IN FIG 1) POSITION THE TOP BAR ONTO THE A-FRAMES AND SECURE IN PLACE.



3. AS ILLUSTRATED, SECURE THE SWING HANGER TO THE UNDERSIDE OF THE TOP BAR  
NOTE: ENSURE THE SEAT SITS A MINIMUM OF 400MM FROM FINISHED SURFACE LEVEL TO UNDERSIDE OF THE SWING SEATS.



4. FINALLY, ENSURE UNIT IS LEVEL AND PLUMB, ALL FIXINGS HAVE BEEN TIGHTENED AND PROTECTIVE CAPS IN PLACE. ADD CONCRETE TO EACH FOUNDATION HOLE AND LEAVE FOR 48 HOURS



|  |   |   |  |
|--|---|---|--|
| UNLESS OTHERWISE SPECIFIED:<br>DIMENSIONS ARE IN MILLIMETERS<br>TOLERANCES:<br>LINEAR: ±2MM<br>1 DECIMAL PLACE: ±0.5MM<br>ANGULAR: ±1° | <b>PROPRIETARY AND CONFIDENTIAL</b><br>THE INFORMATION CONTAINED IN THIS DRAWING IS THE SOLE PROPERTY OF FENLAND LEISURE PRODUCTS. ANY REPRODUCTION IN PART OR AS A WHOLE WITHOUT THE WRITTEN PERMISSION OF FENLAND LEISURE PRODUCTS IS PROHIBITED. | Title: PRO-500-241 DOUBLE BAY BASKET & TANGO SEAT SWING |  |
|  |   | Product Range: PLAYGROUND EQUIPMENT                     |  |
|  |   | Date: 30/03/2022  |  |
|  |   | Page: 4   |  |
| DO NOT SCALE FROM DRAWING<br>Tel: 01354 638359 www.onlineplaygrounds.co.uk   |   | A3  |  |