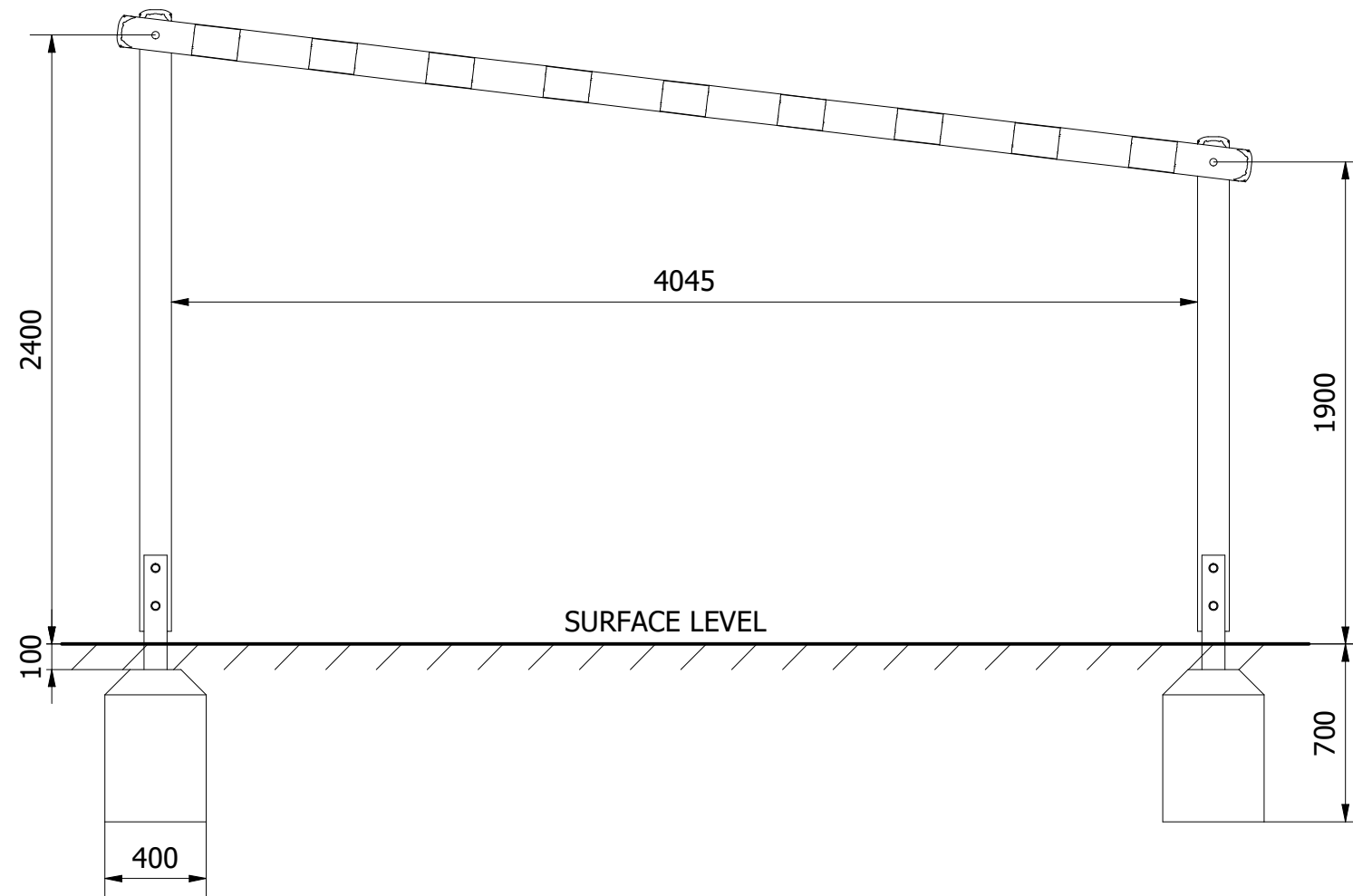
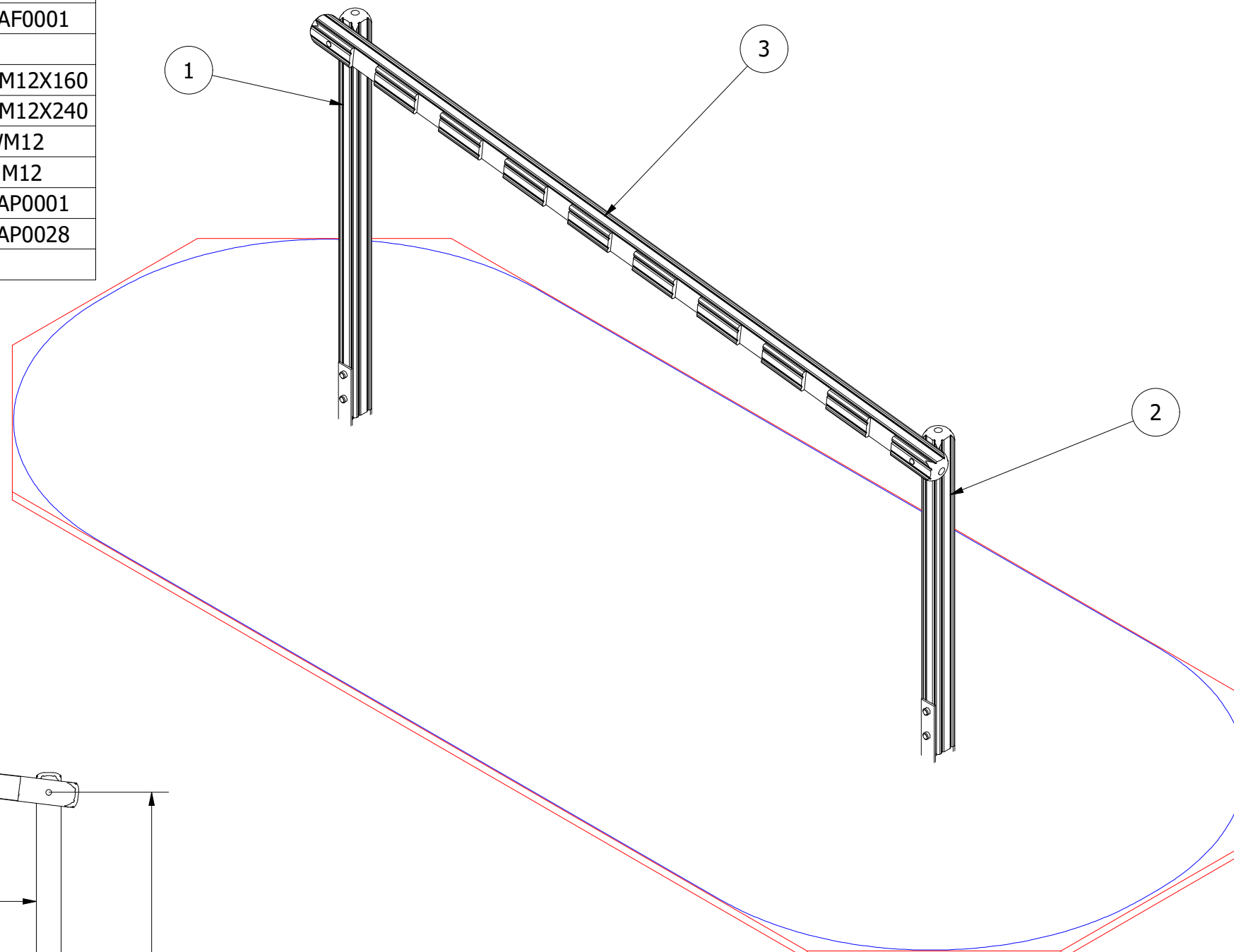



PARTS LIST

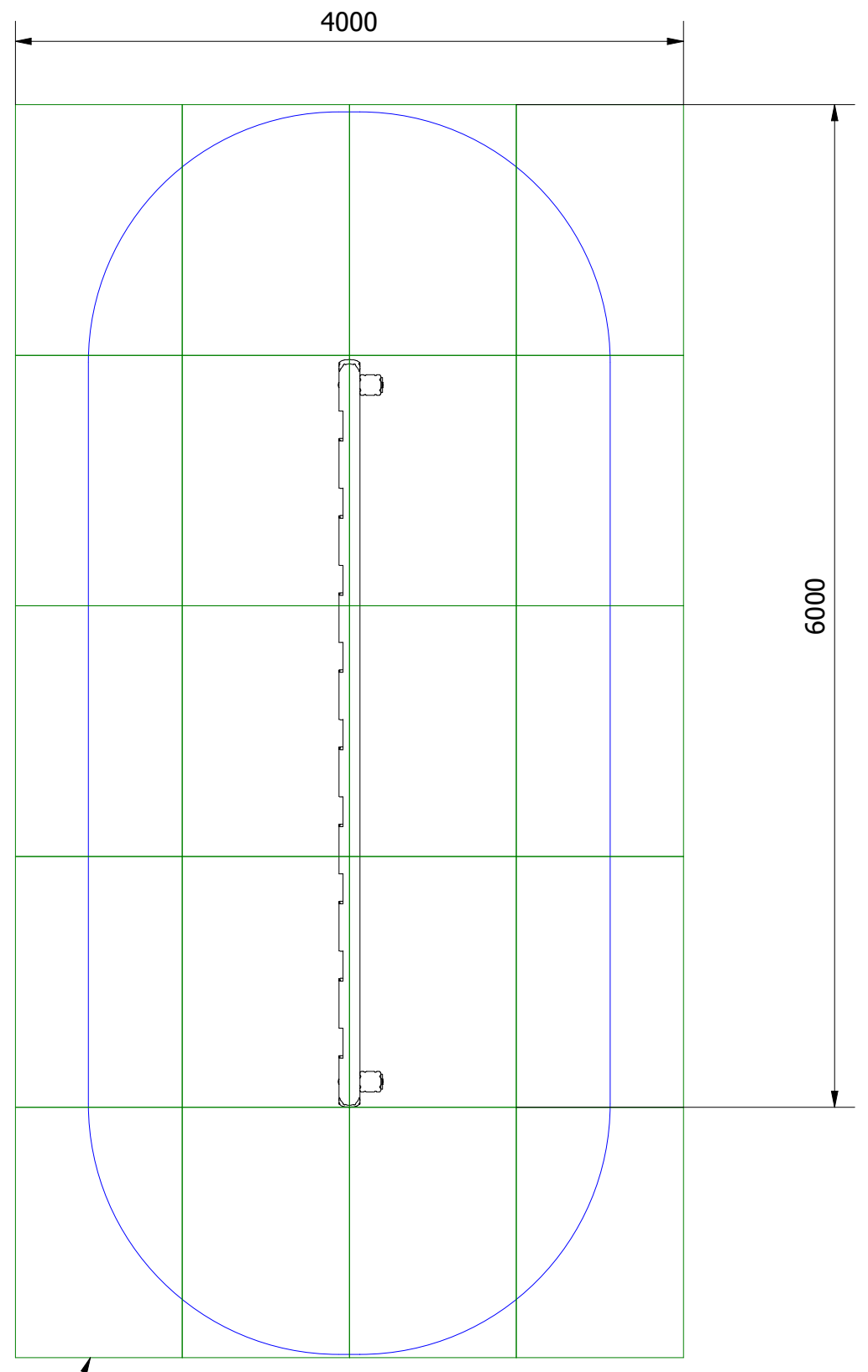
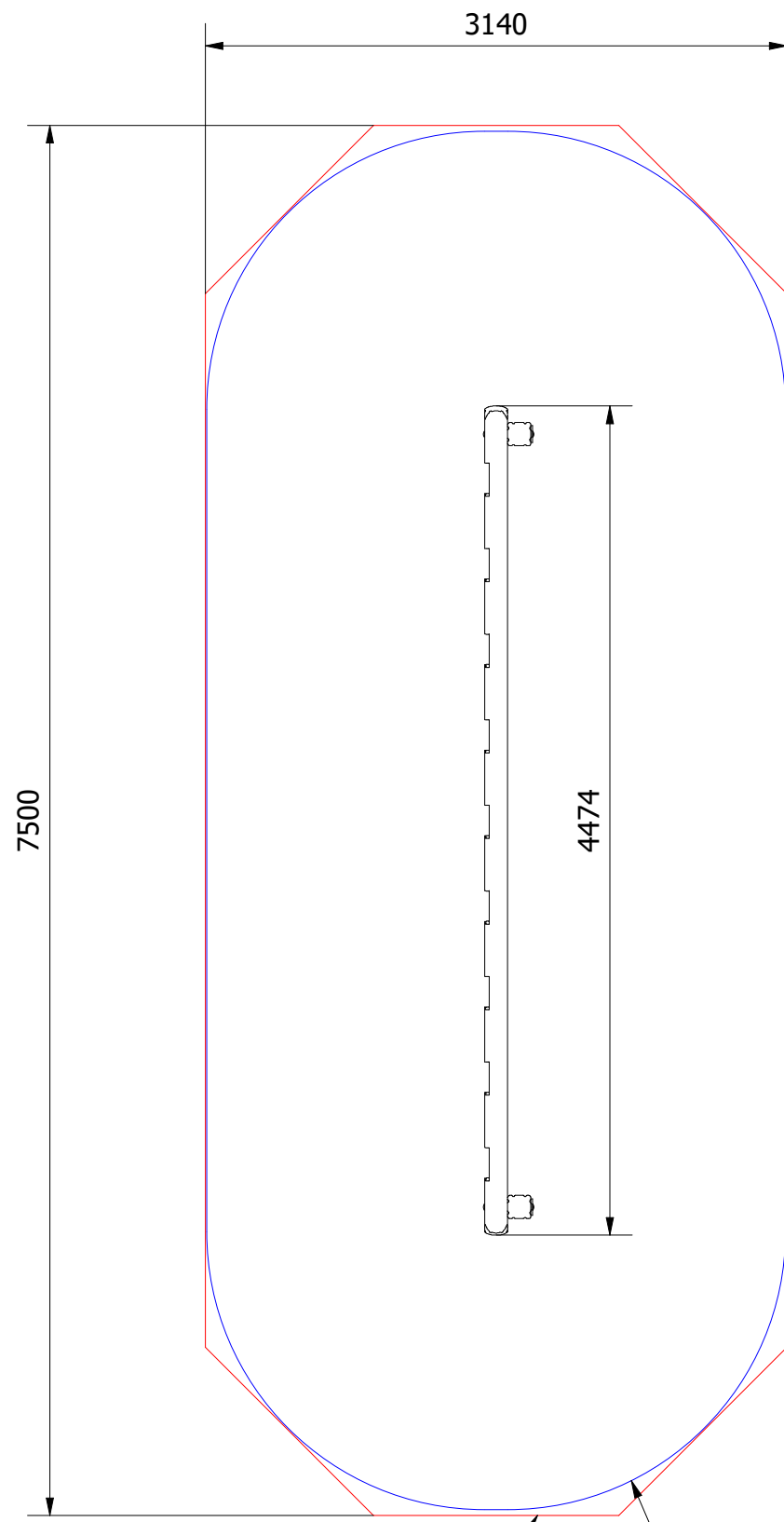
ITEM	QTY	PART NUMBER	DESCRIPTION	STOCK NUMBER
1	1	TB-200-496_B	2450MM X 125MM (POST INSERT)	COMTIMSAF0001
2	1	TB-200-497_B	1950MM X 125MM (POST INSERT)	COMTIMSAF0001
3	1	TB-200-498	4500mm x 125mm SAFALOG	COMTIMSAF0001
4	2	MT-300-006	POST FOOT	
5	4	M12 X 160 COACH BOLT	M12 X 160 (DIN 603)	COMA2CBM12X160
6	2	M12 X 240 COACH BOLT	M12 x 240 (DIN 603)	COMA2CBM12X240
7	6	M12 WASHER	M12 WASHER (DIN 125)	COMA2FWM12
8	6	M12 NYLOC NUT	M12 NYLOC NUT (DIN 985)	COMA2NNM12
9	2	30MM BOLT COVER	30MM BLACK CAP	COMPLACAP0001
10	4	2 PART CAP (BLACK)	TWO PART CAP	COMPLACAP0028
11	2	400 x 400 x 600	0.096M ³ CONCRETE FOUNDATION	

INDICATOR SIGN

ITEM	QTY	PART NUMBER	DESCRIPTION
2	1	PE-400-035	INDICATOR SIGN
4	4	M3 X 25 POZI PAN SCREW	25MM POZI PAN SCREW



UNLESS OTHERWISE SPECIFIED: DIMENSIONS ARE IN MILLIMETERS TOLERANCES: LINEAR: ±2MM 1 DECIMAL PLACE: ±0.5MM ANGULAR: ±1°	PROPRIETARY AND CONFIDENTIAL THE INFORMATION CONTAINED IN THIS DRAWING IS THE SOLE PROPERTY OF FENLAND LEISURE PRODUCTS. ANY REPRODUCTION IN PART OR AS A WHOLE WITHOUT THE WRITTEN PERMISSION OF FENLAND LEISURE PRODUCTS IS PROHIBITED.	Title: PRO-500-096 ARM STRETCH (FC2)_SF	
		Product Range: FITNESS TRAIL	
		1.5M FFH	Date: 18/06/2021
		DO NOT SCALE FROM DRAWING	
Tel: 01354 638359		www.onlineplaygrounds.co.uk	

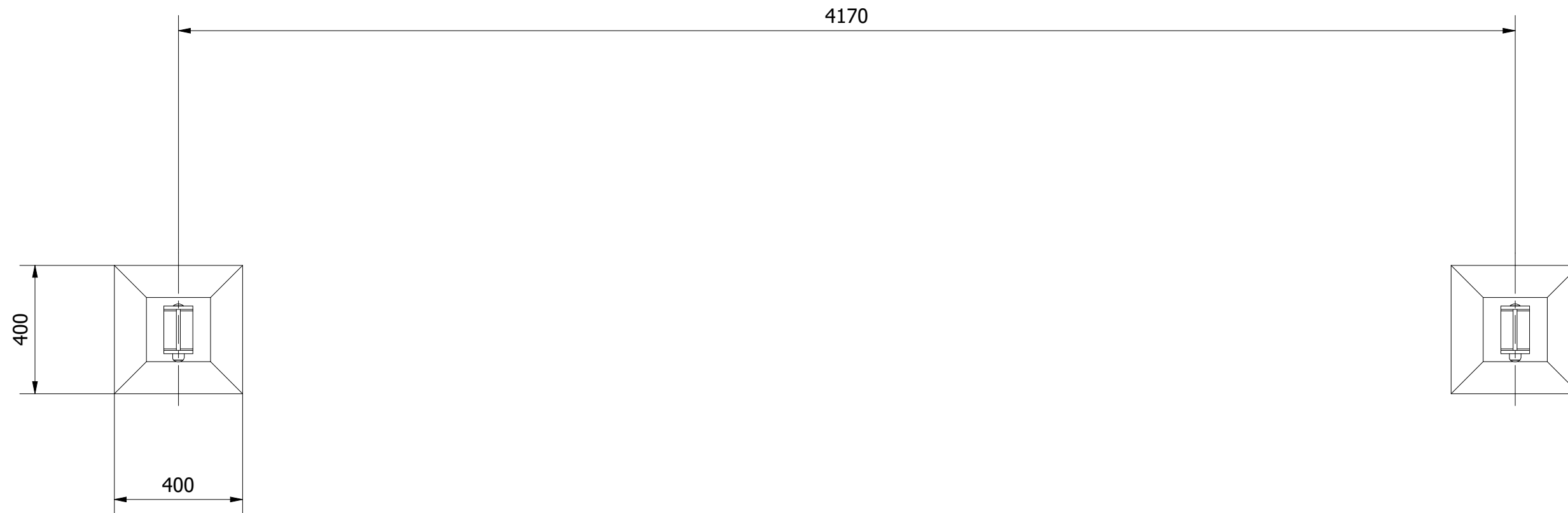


WETPOUR AREA = 21.9 M²
 PERIMETER = 19.2 L/M


MIN SPACE

20 SAFAGRASS TILES (1.5 X 1.0M)

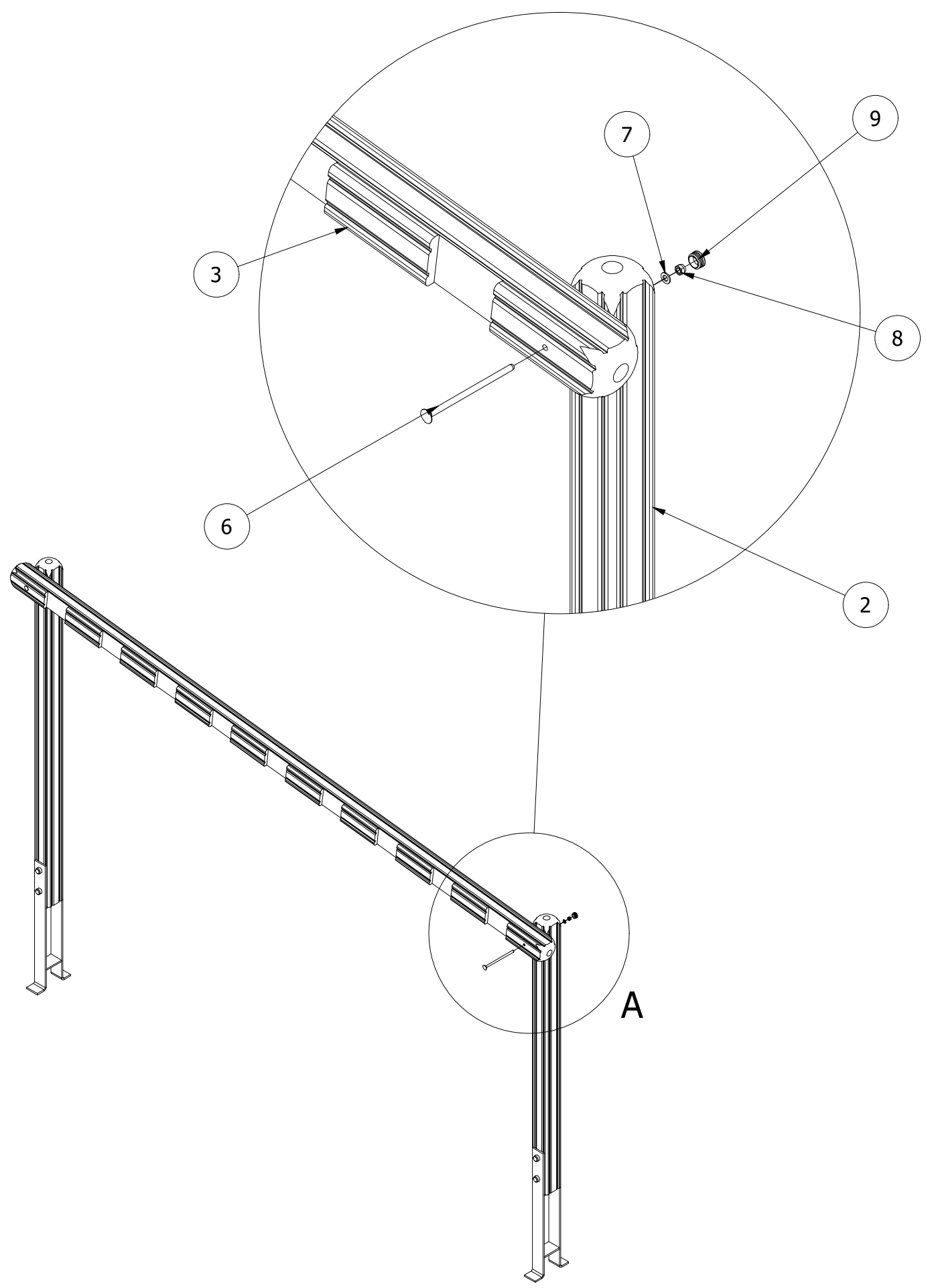
UNLESS OTHERWISE SPECIFIED: DIMENSIONS ARE IN MILLIMETERS TOLERANCES: LINEAR: ±2MM 1 DECIMAL PLACE: ±0.5MM ANGULAR: ±1°	PROPRIETARY AND CONFIDENTIAL THE INFORMATION CONTAINED IN THIS DRAWING IS THE SOLE PROPERTY OF FENLAND LEISURE PRODUCTS. ANY REPRODUCTION IN PART OR AS A WHOLE WITHOUT THE WRITTEN PERMISSION OF FENLAND LEISURE PRODUCTS IS PROHIBITED.	Title: PRO-500-096 ARM STRETCH (FC2)_SF	
		Product Range: FITNESS TRAIL	
		Date: 18/06/2021	
		Page: 2	
		A3	
		DO NOT SCALE FROM DRAWING	
		Tel: 01354 638359 www.onlineplaygrounds.co.uk	



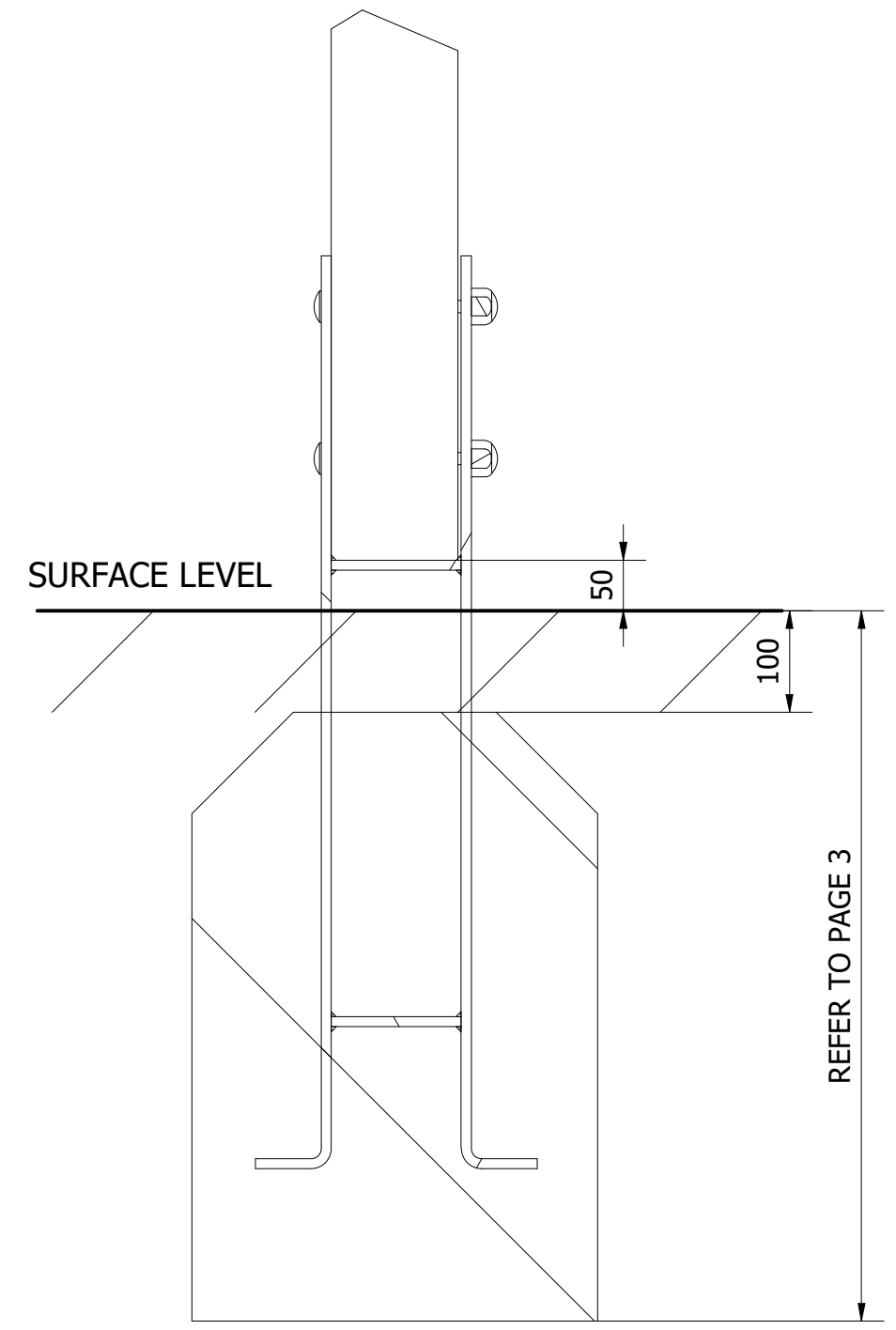
ALL FOUNDATIONS 400 X 400 X 700 DEEP UNLESS OTHERWISE SPECIFIED

UNLESS OTHERWISE SPECIFIED: DIMENSIONS ARE IN MILLIMETERS TOLERANCES: LINEAR: ±2MM 1 DECIMAL PLACE: ±0.5MM ANGULAR: ±1°	PROPRIETARY AND CONFIDENTIAL THE INFORMATION CONTAINED IN THIS DRAWING IS THE SOLE PROPERTY OF FENLAND LEISURE PRODUCTS. ANY REPRODUCTION IN PART OR AS A WHOLE WITHOUT THE WRITTEN PERMISSION OF FENLAND LEISURE PRODUCTS IS PROHIBITED.	Title: PRO-500-096 ARM STRETCH (FC2)_SF	
		Product Range: FITNESS TRAIL	
		Date: 18/06/2021	
		Page: 3	
		A3	
		DO NOT SCALE FROM DRAWING	
		Tel: 01354 638359 www.onlineplaygrounds.co.uk	

1. AS ILLUSTRATED BELOW, CREATE THE BASIC FRAME NEXT TO THE FOUNDATION HOLES DETAILED ON THE PREVIOUS PAGE USING THE SUPPLIED FIXINGS. WITH CARE, LIFT THE FRAME INTO THE HOLES AND USE A BRACE TO HOLD THE UNIT IN POSITION.



2. FINALLY, ENSURE THE UNIT IS LEVEL & PLUMB, ALL FIXINGS HAVE BEEN TIGHTENED AND PROTECTIVE CAPS IN PLACE. ADD CONCRETE TO THE FOUNDATION HOLE AND LEAVE FOR 48 HOURS



UNLESS OTHERWISE SPECIFIED: DIMENSIONS ARE IN MILLIMETERS TOLERANCES: LINEAR: ±2MM 1 DECIMAL PLACE: ±0.5MM ANGULAR: ±1°	PROPRIETARY AND CONFIDENTIAL THE INFORMATION CONTAINED IN THIS DRAWING IS THE SOLE PROPERTY OF FENLAND LEISURE PRODUCTS. ANY REPRODUCTION IN PART OR AS A WHOLE WITHOUT THE WRITTEN PERMISSION OF FENLAND LEISURE PRODUCTS IS PROHIBITED.	Title: PRO-500-096 ARM STRETCH (FC2)_SF	
		Product Range: FITNESS TRAIL	
		Date: 18/06/2021	
		Page: 4	
		A3	
		DO NOT SCALE FROM DRAWING	
		Tel: 01354 638359 www.onlineplaygrounds.co.uk	