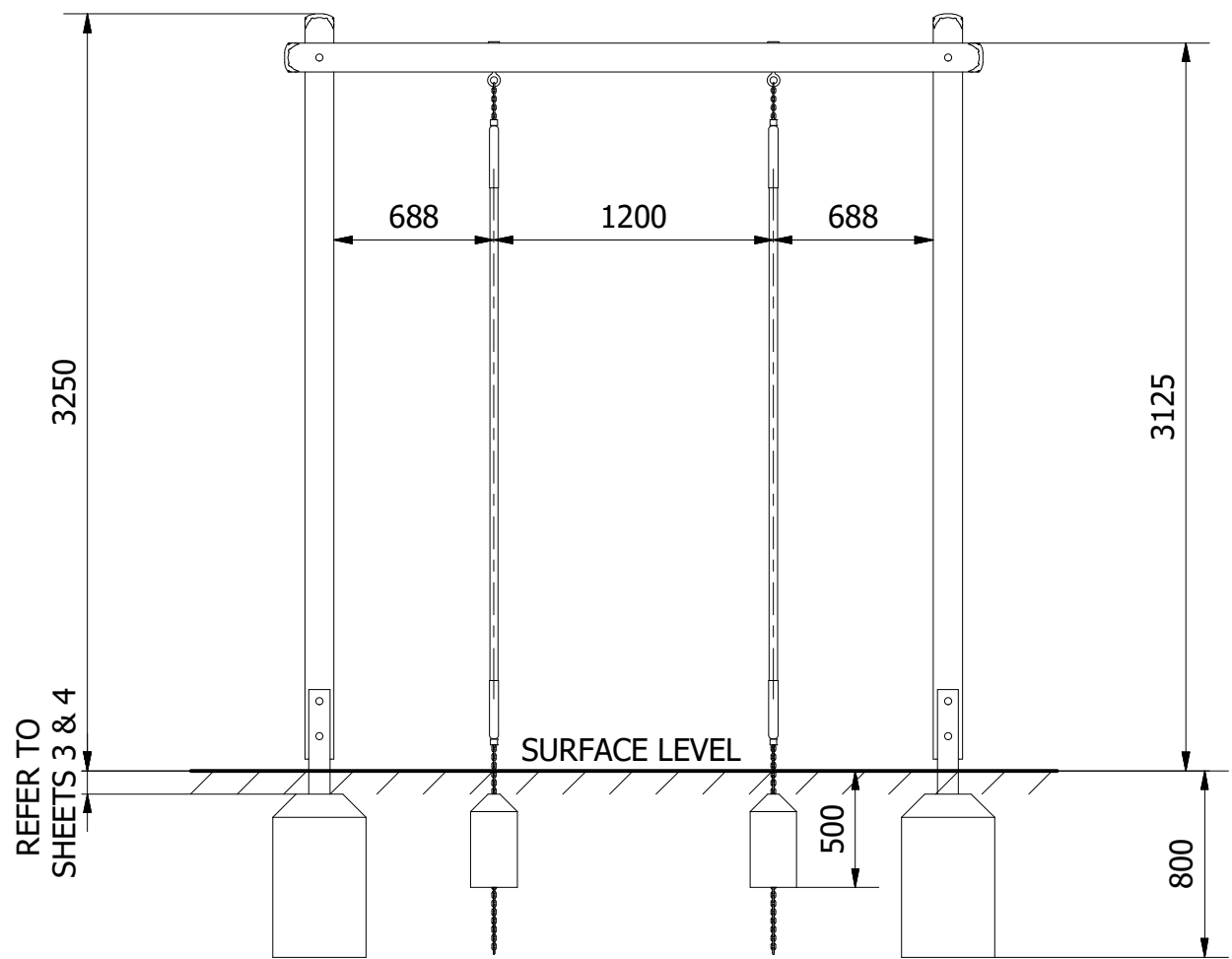
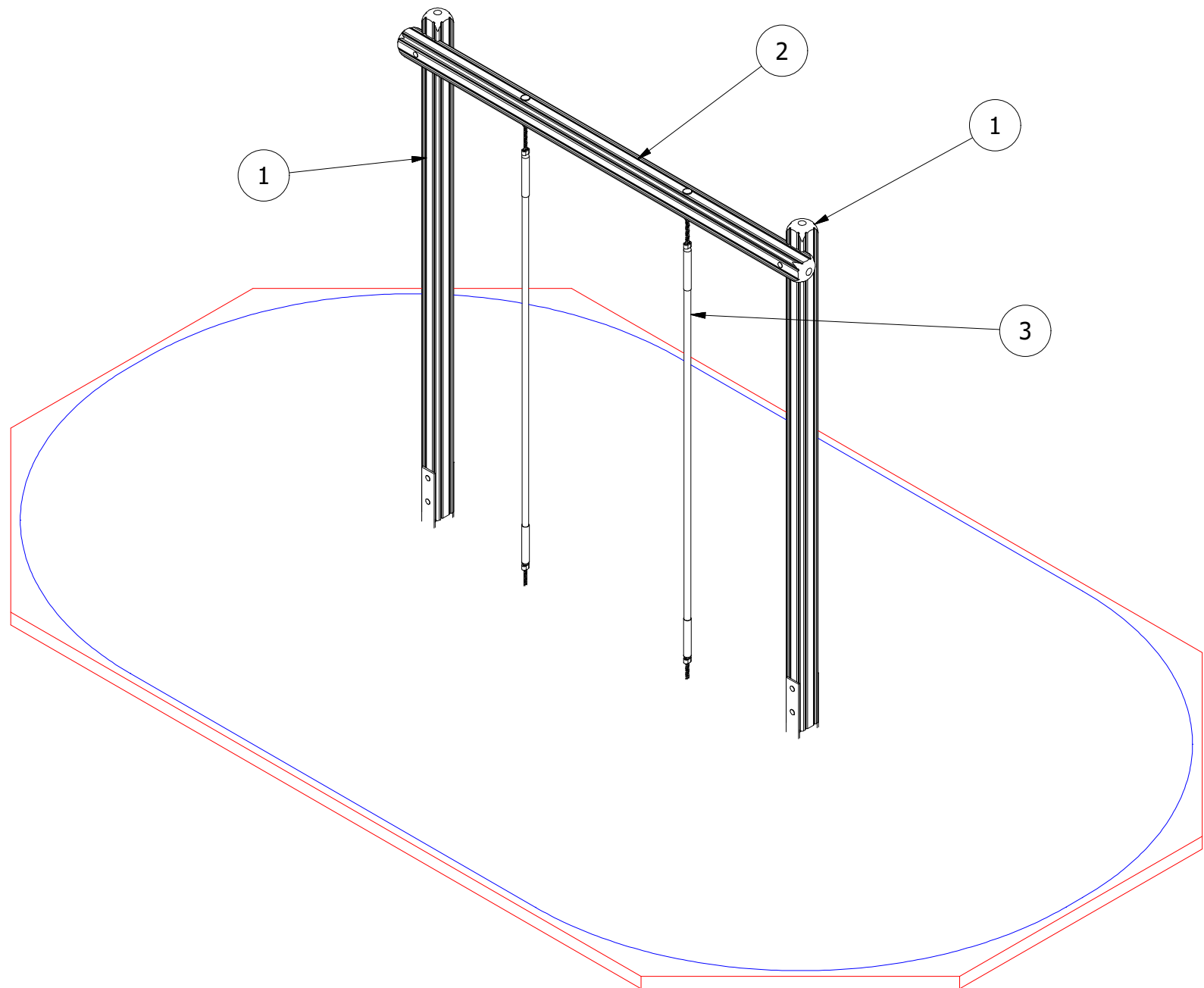


PARTS LIST

ITEM	QTY	PART NUMBER	DESCRIPTION	STOCK NUMBER
1	2	TB-200-327_B	3200MM X 125MM (POST FOOT)	COMTIMSAF0001
2	1	TB-200-619	3000mm x 125mm SAFALOG	COMTIMSAF0001
3	2	RS-100-039	36MM POLYHEMP ROPE	
4	2	MT-300-006	POST FOOT	
5	4	M12 X 160 COACH BOLT	M12 X 160 (DIN 603)	COMA2CBM12X160
6	2	M12 X 220 COACH BOLT	M12 X 220 (DIN 603)	COMA2CBM12X220
7	6	M12 NYLOC NUT	M12 NYLOC NUT (DIN 985)	COMA2NNM12
8	6	M12 WASHER	M12 WASHER (DIN 125)	COMA2FWM12
9	2	M16 NYLOC NUT	M16 NYLOC NUT (DIN 985)	COMA2NNM16
10	2	M16 WASHER	M16 WASHER (DIN 125)	COMA2FWM16
11	2	30MM BOLT COVER	30MM BLACK CAP	COMPLACAP0001
12	2	45MM BOLT COVER	45MM CAP	COMPLACAP0017
13	4	2 PART CAP (BLACK)	TWO PART CAP	COMPLACAP0028
14	2	400 x 400 x 700	0.112 ³ CONCRETE FOUNDATION	
15	2	200 x 200 x 400	0.016 ³ CONCRETE FOUNDATION	

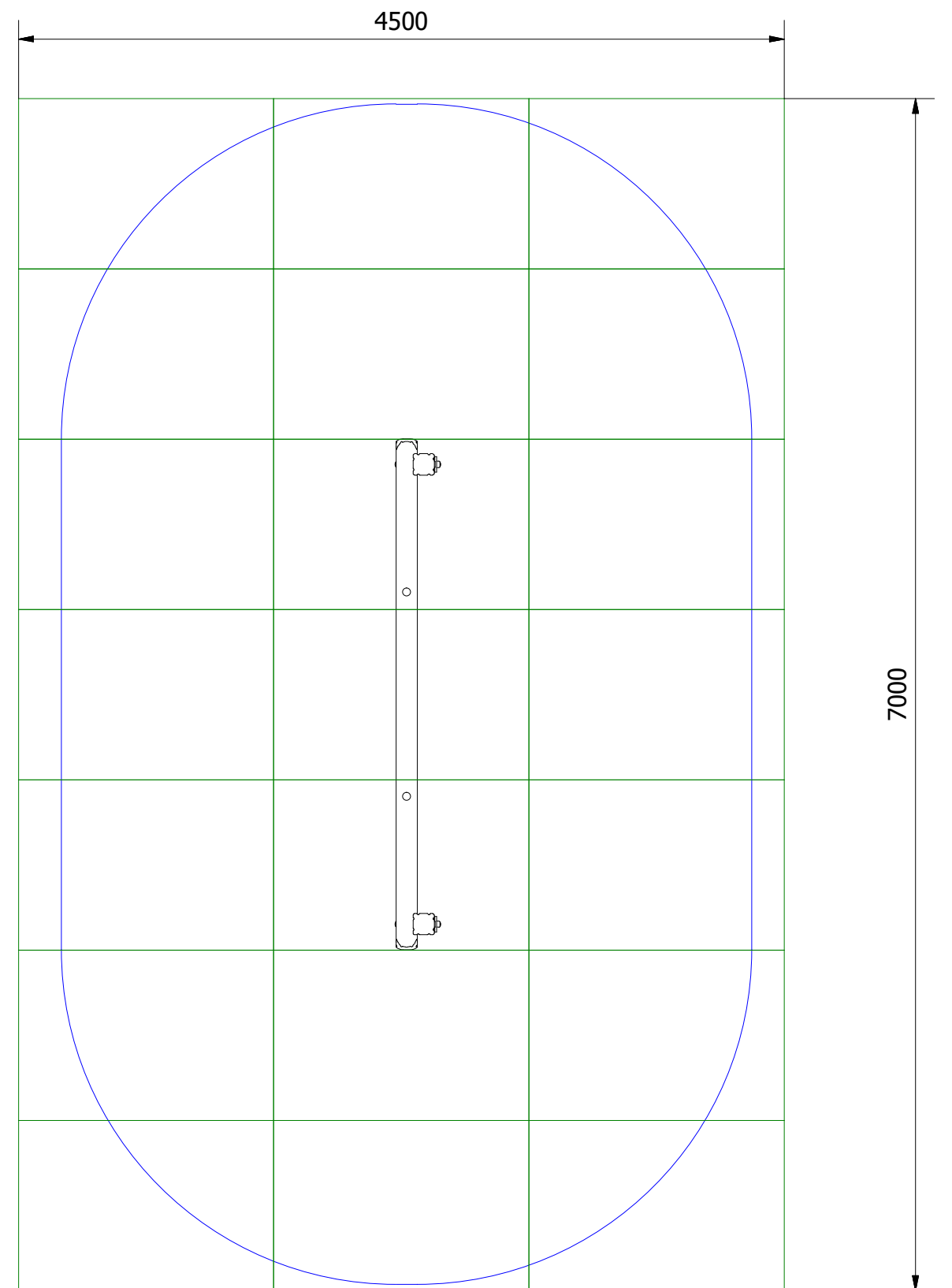
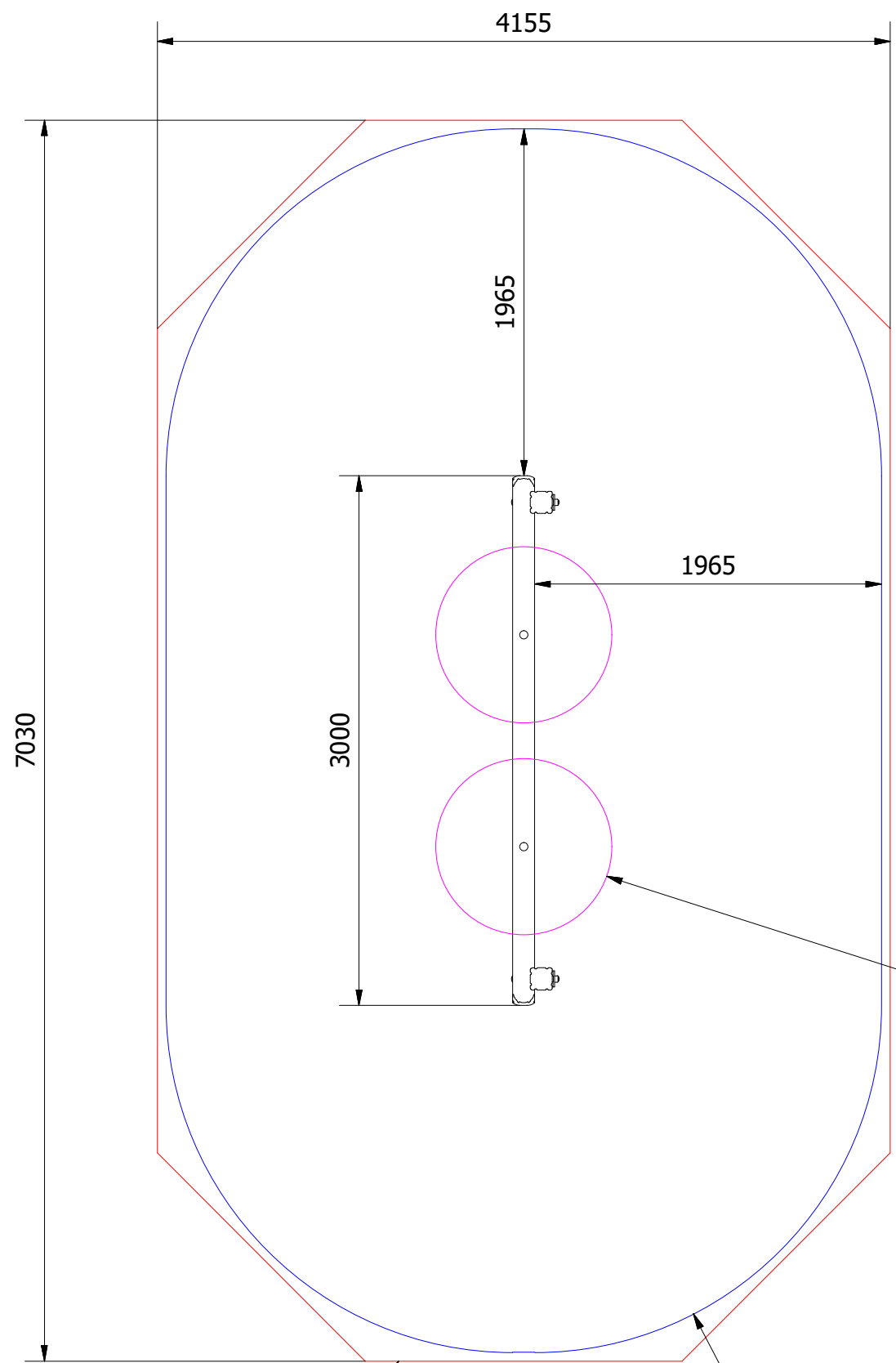
INDICATOR SIGN

ITEM	QTY	PART NUMBER	DESCRIPTION	STOCK NUMBER
2	1	PE-400-035	INDICATOR SIGN	COMSIGSIG0032
4	4	M3 X 25 POZI PAN SCREW	25MM POZI PAN SCREW	COMHARSTA0009



NOTES:
 STEELWORK: EXPORT - ALUMINIUM
 U.K - STAINLESS STEEL
 INDICATOR SIGN: EXPORT - COMSIGSIG0042
 U.K - COMSIGSIG0032

UNLESS OTHERWISE SPECIFIED: DIMENSIONS ARE IN MILLIMETERS TOLERANCES: LINEAR: ±2MM 1 DECIMAL PLACE: ±0.5MM ANGULAR: ±1°	PROPRIETARY AND CONFIDENTIAL THE INFORMATION CONTAINED IN THIS DRAWING IS THE SOLE PROPERTY OF FENLAND LEISURE PRODUCTS. ANY REPRODUCTION IN PART OR AS A WHOLE WITHOUT THE WRITTEN PERMISSION OF FENLAND LEISURE PRODUCTS IS PROHIBITED.	Title: PRO-500-130 ROPE CLIMB (FC3)	
		Product Range: FITNESS TRAIL	
		<2.0M FFH	Date: 23/09/2019
			Page: A3
		DO NOT SCALE FROM DRAWING	
		Tel: 01354 638359 www.onlineplaygrounds.co.uk	



TRAINING SPACE

21 SAFAGRASS TILES (1.5 X 1.0M)

MIN SPACE

WETPOUR AREA = 26.5M²
PERIMETER = 19.6 L/M

UNLESS OTHERWISE SPECIFIED:
DIMENSIONS ARE IN MILLIMETERS
TOLERANCES:
LINEAR: ±2MM
1 DECIMAL PLACE: ±0.5MM
ANGULAR: ±1°

PROPRIETARY AND CONFIDENTIAL
THE INFORMATION CONTAINED IN THIS
DRAWING IS THE SOLE PROPERTY OF
FENLAND LEISURE PRODUCTS. ANY
REPRODUCTION IN PART OR AS A WHOLE
WITHOUT THE WRITTEN PERMISSION
OF FENLAND
LEISURE PRODUCTS IS PROHIBITED.

Title: PRO-500-130 ROPE CLIMB (FC3)

Product Range: FITNESS TRAIL

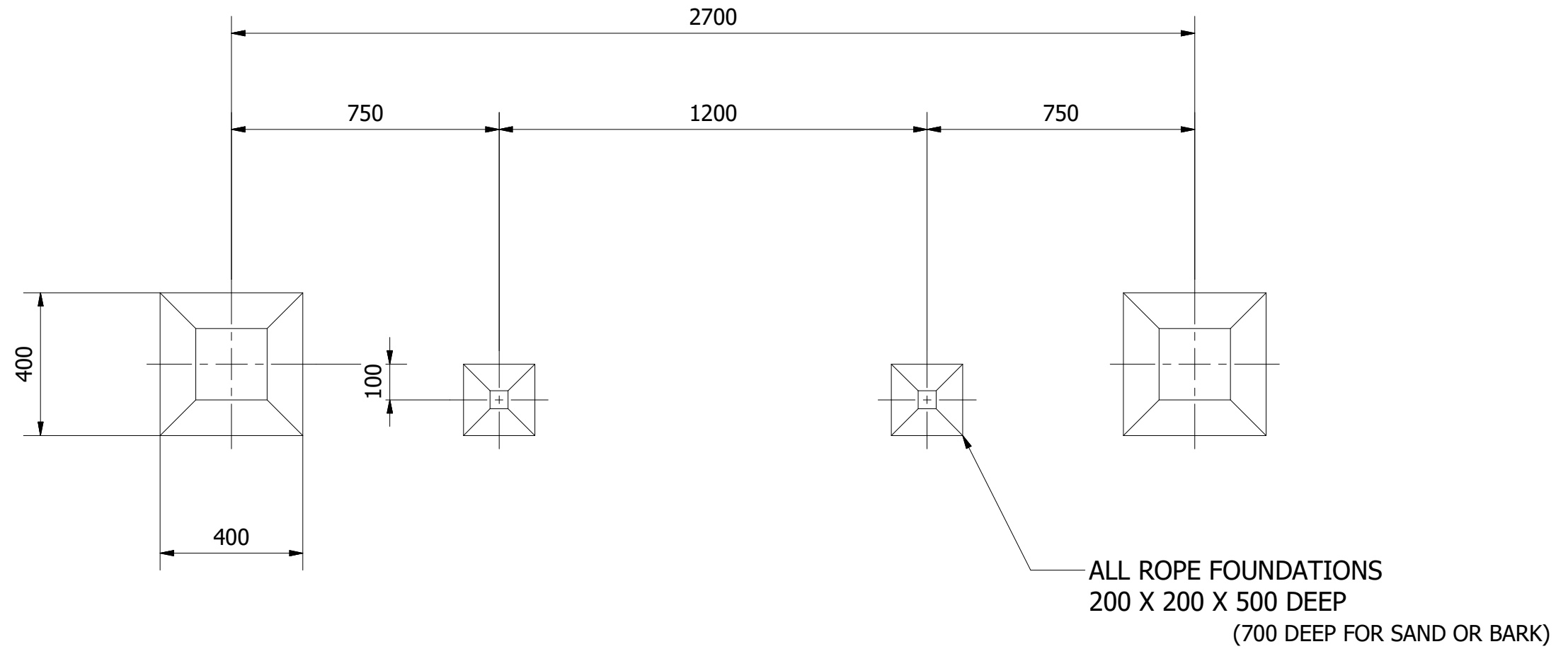
Date:
23/09/2019

Page:
A3

DO NOT SCALE FROM DRAWING

Tel: 01354 638359 www.onlineplaygrounds.co.uk





ALL FOUNDATIONS 400 X 400 X 800 DEEP UNLESS OTHERWISE SPECIFIED
1000 DEEP FOR SAND OR BARK

UNLESS OTHERWISE SPECIFIED:
DIMENSIONS ARE IN MILLIMETERS
TOLERANCES:
LINEAR: $\pm 2\text{MM}$
1 DECIMAL PLACE: $\pm 0.5\text{MM}$
ANGULAR: $\pm 1^\circ$

PROPRIETARY AND CONFIDENTIAL
THE INFORMATION CONTAINED IN THIS
DRAWING IS THE SOLE PROPERTY OF
FENLAND LEISURE PRODUCTS. ANY
REPRODUCTION IN PART OR AS A WHOLE
WITHOUT THE WRITTEN PERMISSION
OF FENLAND
LEISURE PRODUCTS IS PROHIBITED.

Title: PRO-500-130 ROPE CLIMB (FC3)

Product Range: FITNESS TRAIL

Date:
23/09/2019

Page:

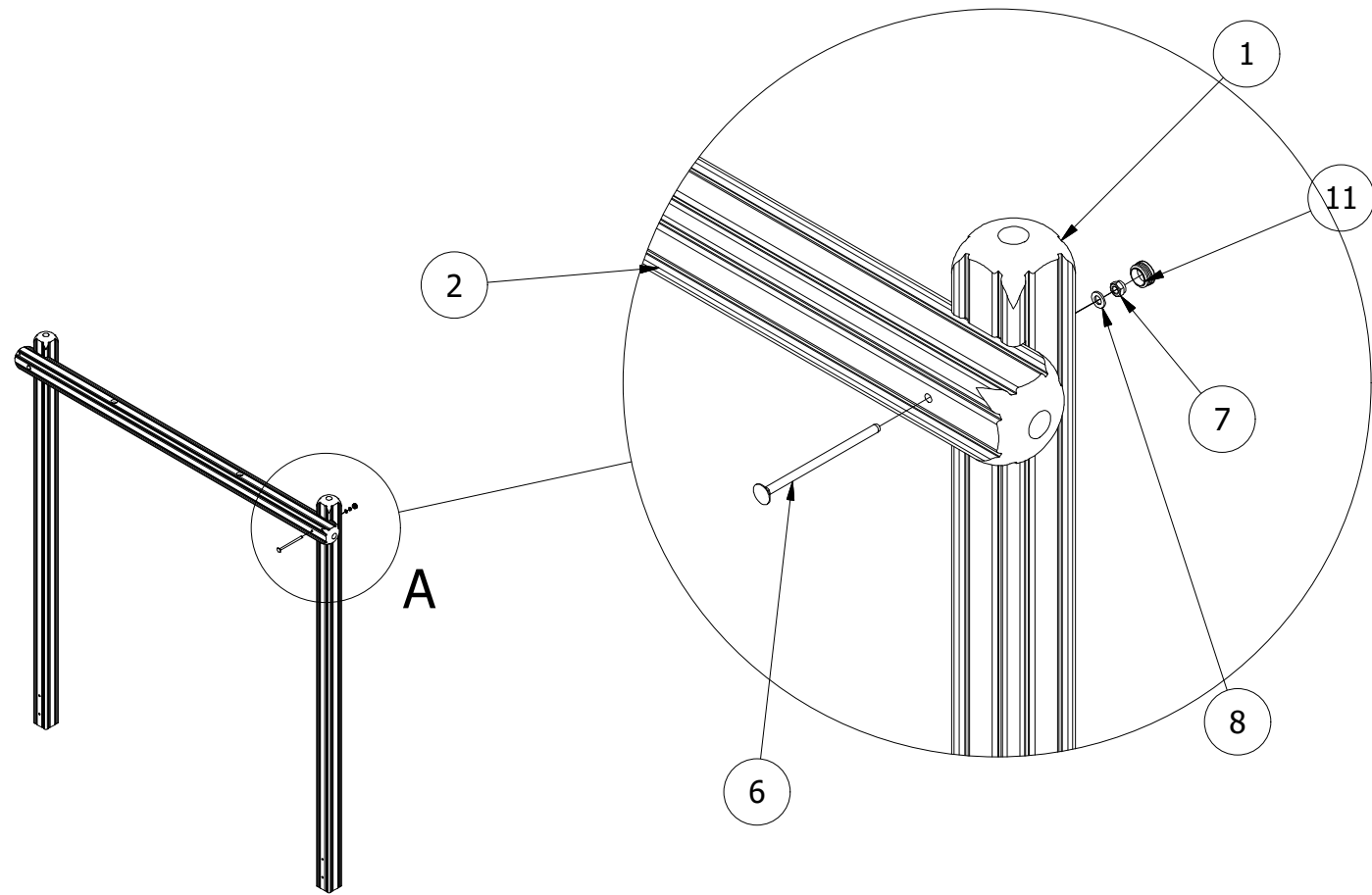
A3



DO NOT SCALE FROM DRAWING

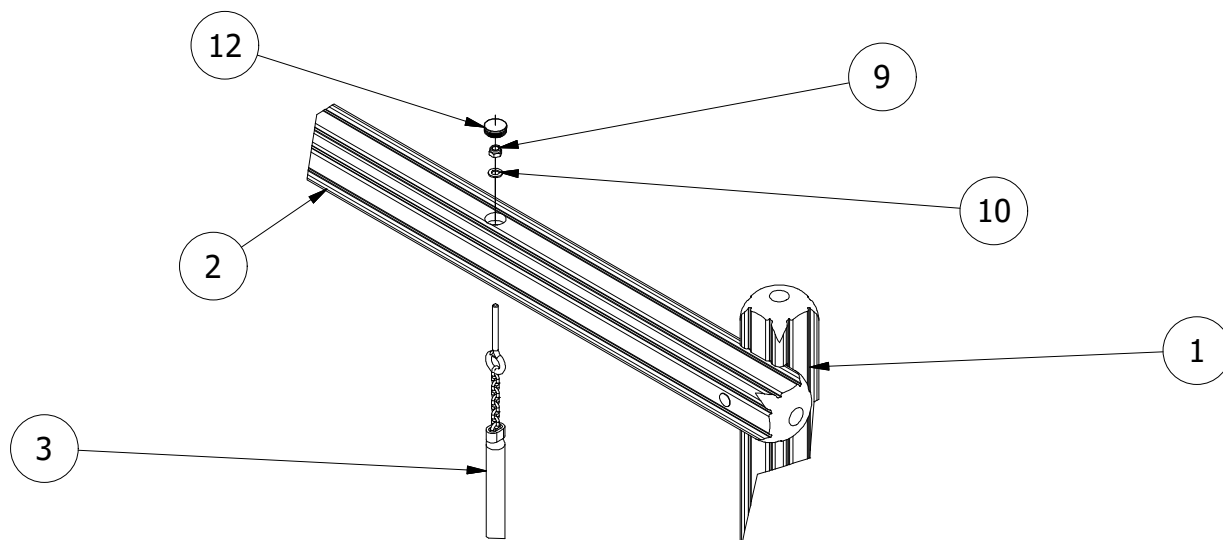
Tel: 01354 638359 www.onlineplaygrounds.co.uk

1. POSITION AND BRACE THE UPRIGHT POSTS INTO THE FOUNDATION HOLES. AS SHOWN BELOW, SECURE THE CROSSBEAMS TO THE UPRIGHT POSTS USING THE SUPPLIED COACH BOLTS.

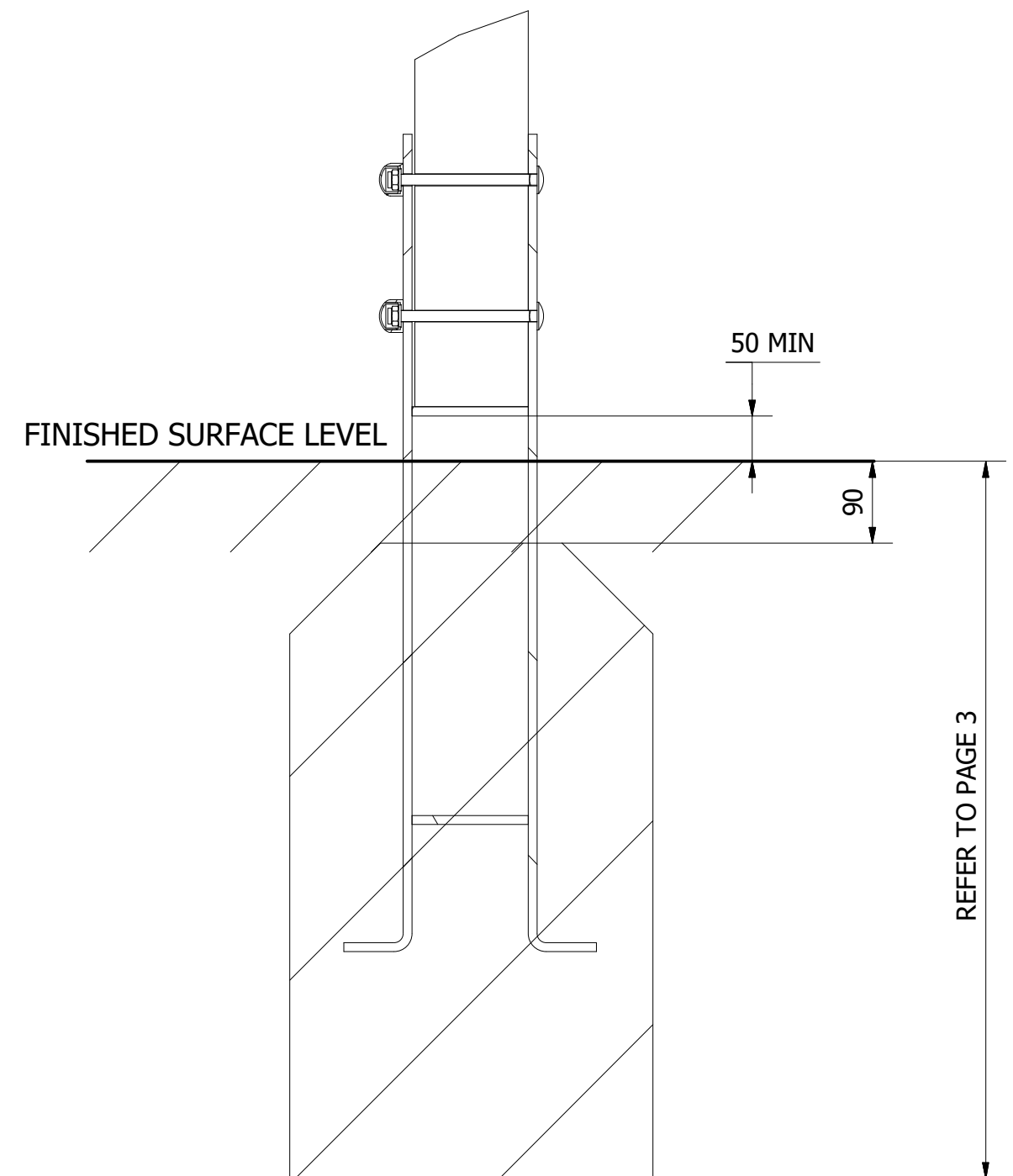


Note: Take extreme care with stainless steel fixings: Use a lubricant/low torque settings before securing with a nyloc nut.

2. WITH THE FRAME ERECTED, SECURE THE ROPES TO THE CROSSBEAM WITH THE LONG CHAIN IN THE FOUNDATION HOLE.



3. FINALLY, ENSURE THE UNIT IS LEVEL AND PLUMB, ALL FIXINGS HAVE BEEN TIGHTENED AND PROTECTIVE CAPS IN PLACE. ADD CONCRETE TO EACH FOUNDATION HOLE AND LEAVE FOR 48 HOURS



UNLESS OTHERWISE SPECIFIED:
DIMENSIONS ARE IN MILLIMETERS
TOLERANCES:
LINEAR: $\pm 2\text{MM}$
1 DECIMAL PLACE: $\pm 0.5\text{MM}$
ANGULAR: $\pm 1^\circ$

PROPRIETARY AND CONFIDENTIAL

THE INFORMATION CONTAINED IN THIS DRAWING IS THE SOLE PROPERTY OF FENLAND LEISURE PRODUCTS. ANY REPRODUCTION IN PART OR AS A WHOLE WITHOUT THE WRITTEN PERMISSION OF FENLAND LEISURE PRODUCTS IS PROHIBITED.

Title: PRO-500-130 ROPE CLIMB (FC3)

Product Range: FITNESS TRAIL

Date:
23/09/2019

Page:

A3



DO NOT SCALE FROM DRAWING

Tel: 01354 638359 www.onlineplaygrounds.co.uk