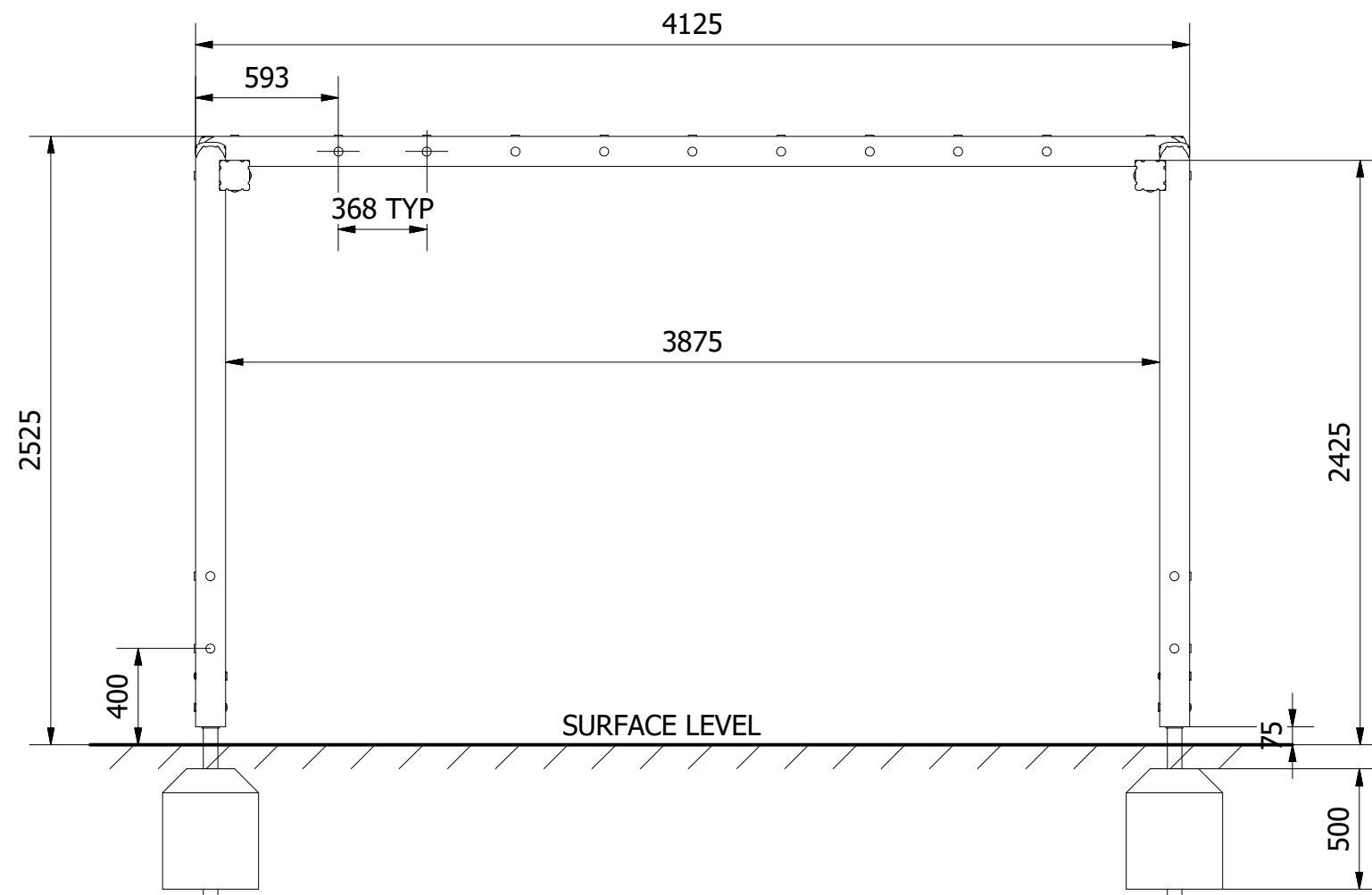
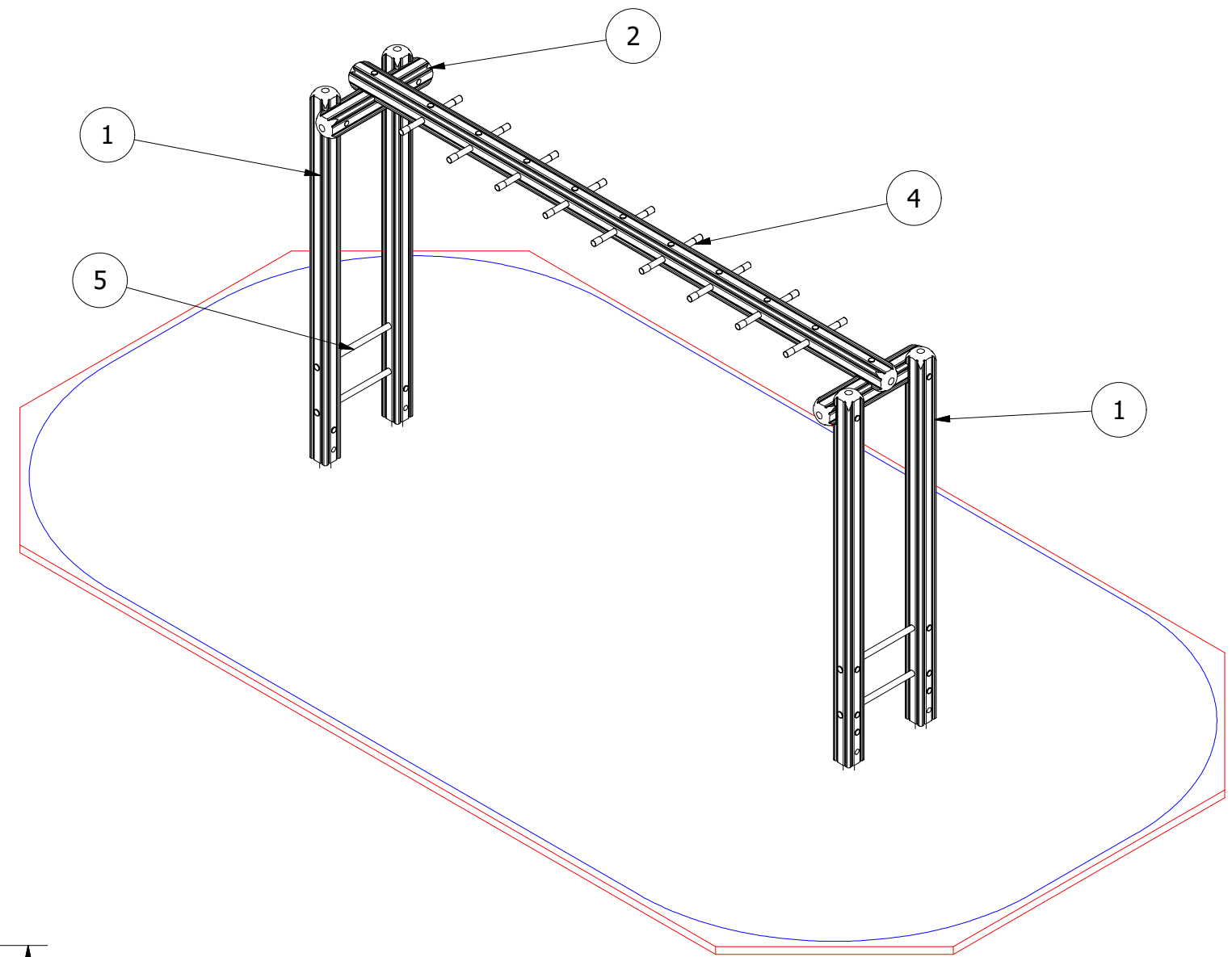


PARTS LIST


ITEM	QTY	PART NUMBER	DESCRIPTION	STOCK NUMBER
1	4	TB-200-331_B	2425mm x 125mm (SURFACE LEVEL)	COMTIMSAF0001
2	2	TB-200-334	800mm x 125mm SAFALOG	COMTIMSAF0001
3	1	TB-200-333	4100mm x 125mm SAFALOG	COMTIMSAF0001
4	9	MT-300-060	450 X 33.7 DIA	
5	4	MT-300-077	610 X 33.7 DIA (SS C.H.S)	
6	4	MOD-600-121 GROUND FOOT (125)	GROUND FOOT (125)	SUBSTEMIS0006
7	6	M12 X 220 COACH BOLT	M12 X 220 (DIN 603)	COMA2CBM12X220
8	6	M12 WASHER	M12 WASHER (DIN 125)	COMA2FWM12
9	6	M12 NYLOC NUT	M12 NYLOC NUT (DIN 985)	COMA2NNM12
10	17	M8 X 80 TORX WASHER HEAD	80MM WASHER SCREW	COMA2WH8X80
11	23	30MM BOLT COVER	30MM BLACK CAP	COMPLACAP0001
12	8	34MM BOLT COVER	34MM CAP	COMPLACAP0003
13	18	FLEXI CAP	FLEXI CAP	COMPLACAP0004
14	4	400 x 400 x 500	0.08 ³ CONCRETE FOUNDATION	

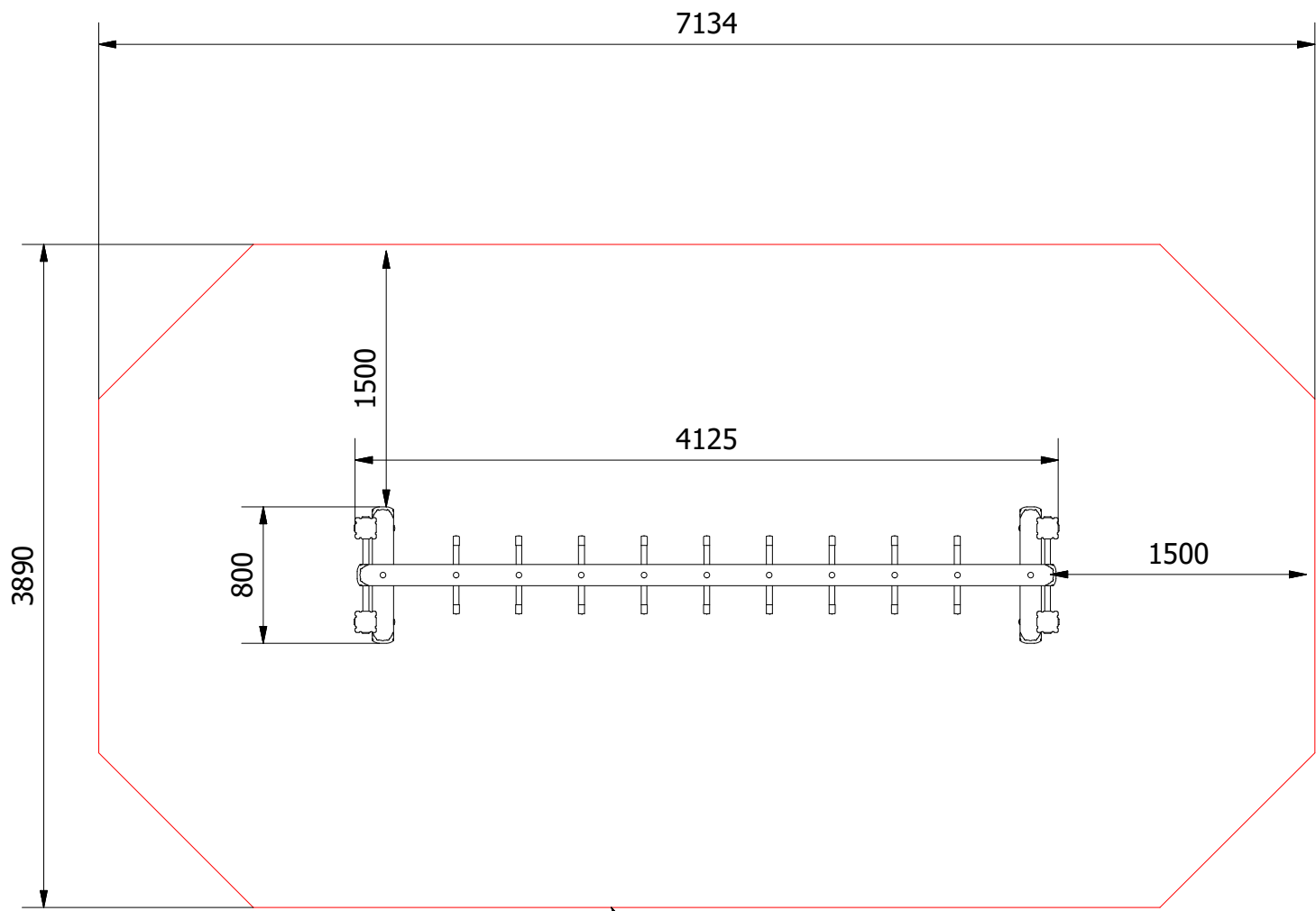
INDICATOR SIGN

ITEM	QTY	PART NUMBER	DESCRIPTION	STOCK NUMBER
2	1	PE-400-035	INDICATOR SIGN	COMSIGSIG0032
4	4	M3 X 25 POZI PAN SCREW	25MM POZI PAN SCREW	COMHARSTA0009
5	1	300 x 300 x 400	0.036M ³ CONCRETE FOUNDATION	

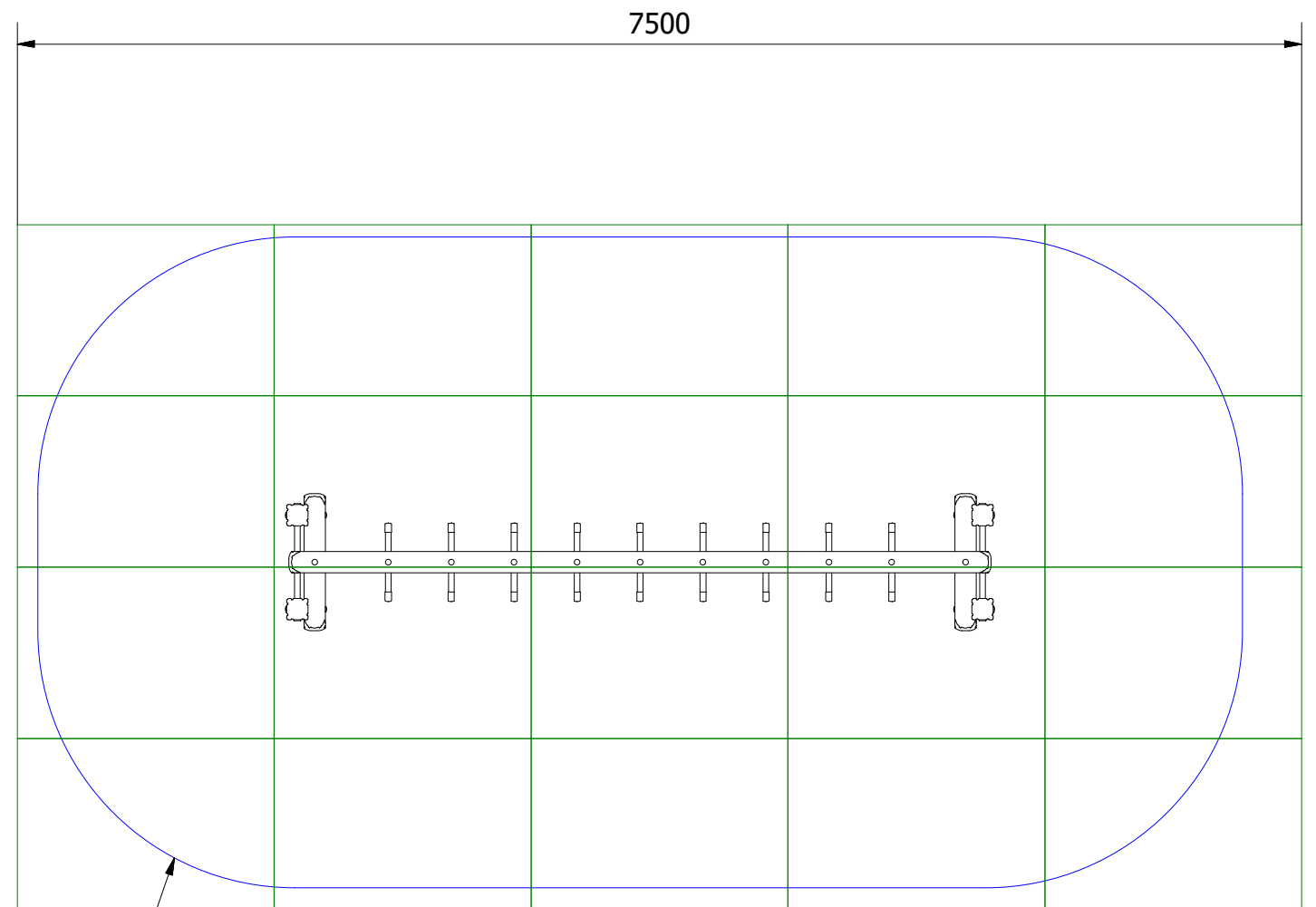


NOTES:
 STEELWORK: EXPORT - ALUMINIUM
 U.K - STAINLESS STEEL
 INDICATOR SIGN: EXPORT - COMSIGSIG0042
 U.K - COMSIGSIG0032

UNLESS OTHERWISE SPECIFIED: DIMENSIONS ARE IN MILLIMETERS TOLERANCES: LINEAR: ±2MM 1 DECIMAL PLACE: ±0.5MM ANGULAR: ±1°	PROPRIETARY AND CONFIDENTIAL THE INFORMATION CONTAINED IN THIS DRAWING IS THE SOLE PROPERTY OF FENLAND LEISURE PRODUCTS. ANY REPRODUCTION IN PART OR AS A WHOLE WITHOUT THE WRITTEN PERMISSION OF FENLAND LEISURE PRODUCTS IS PROHIBITED.	Title: PRO-500-049 HORIZONTAL BARS (FC36)	
		Product Range: FITNESS TRAIL	
	1.5M FFH	Date: 01/05/2019	
		Page: A3	
		DO NOT SCALE FROM DRAWING	
Tel: 01354 638359 www.onlineplaygrounds.co.uk			



WETPOUR AREA = 26.1M²
 PERIMETER = 19.9 L/M



MIN SPACE

20 SAFAGRASS TILES (1.5 X 1.0M)

UNLESS OTHERWISE SPECIFIED:
 DIMENSIONS ARE IN MILLIMETERS
 TOLERANCES:
 LINEAR: ±2MM
 1 DECIMAL PLACE: ±0.5MM
 ANGULAR: ±1°

PROPRIETARY AND CONFIDENTIAL
 THE INFORMATION CONTAINED IN THIS
 DRAWING IS THE SOLE PROPERTY OF
 FENLAND LEISURE PRODUCTS. ANY
 REPRODUCTION IN PART OR AS A WHOLE
 WITHOUT THE WRITTEN PERMISSION
 OF FENLAND
 LEISURE PRODUCTS IS PROHIBITED.

Title: PRO-500-049 HORIZONTAL BARS (FC36)

Product Range: FITNESS TRAIL

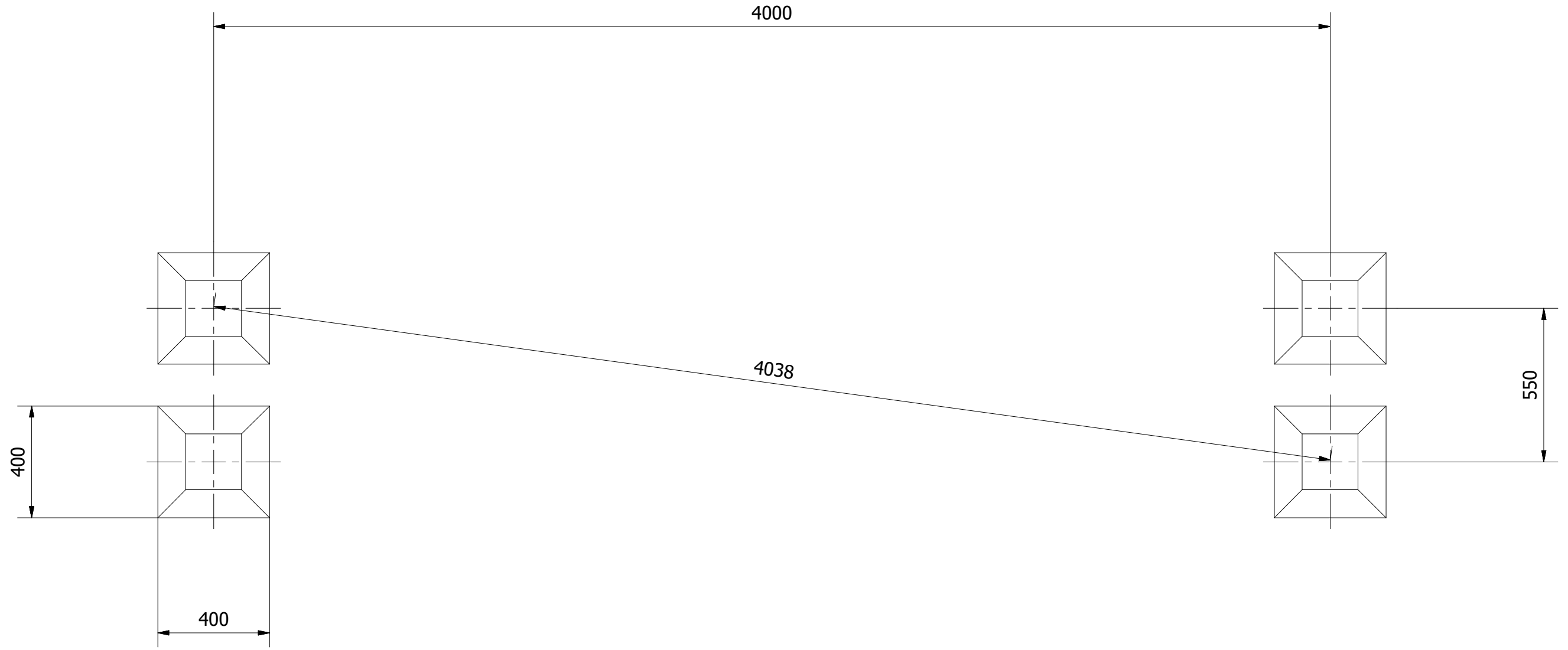
Date:
01/05/2019

Page:
A3



DO NOT SCALE FROM DRAWING

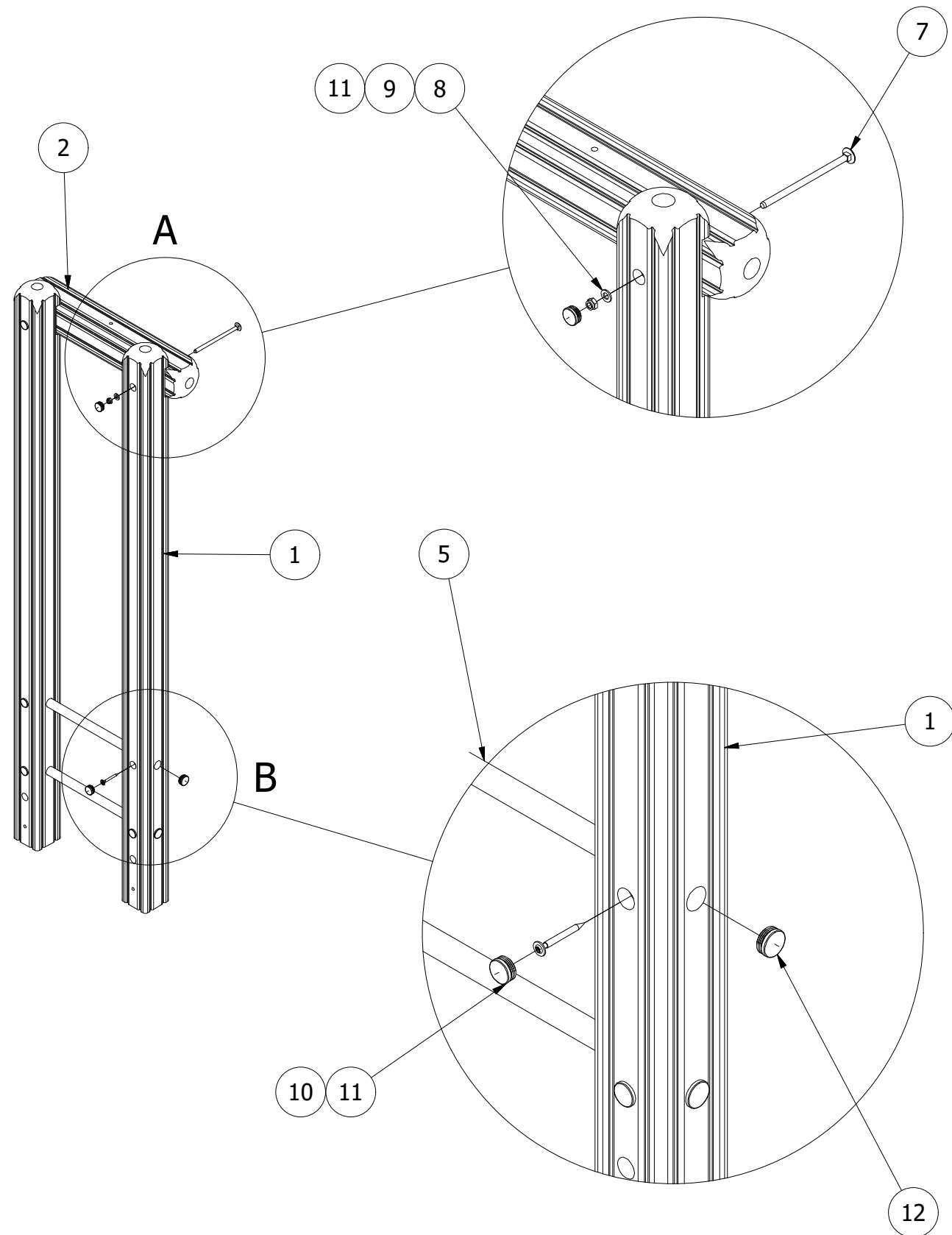
Tel: 01354 638359 www.onlineplaygrounds.co.uk



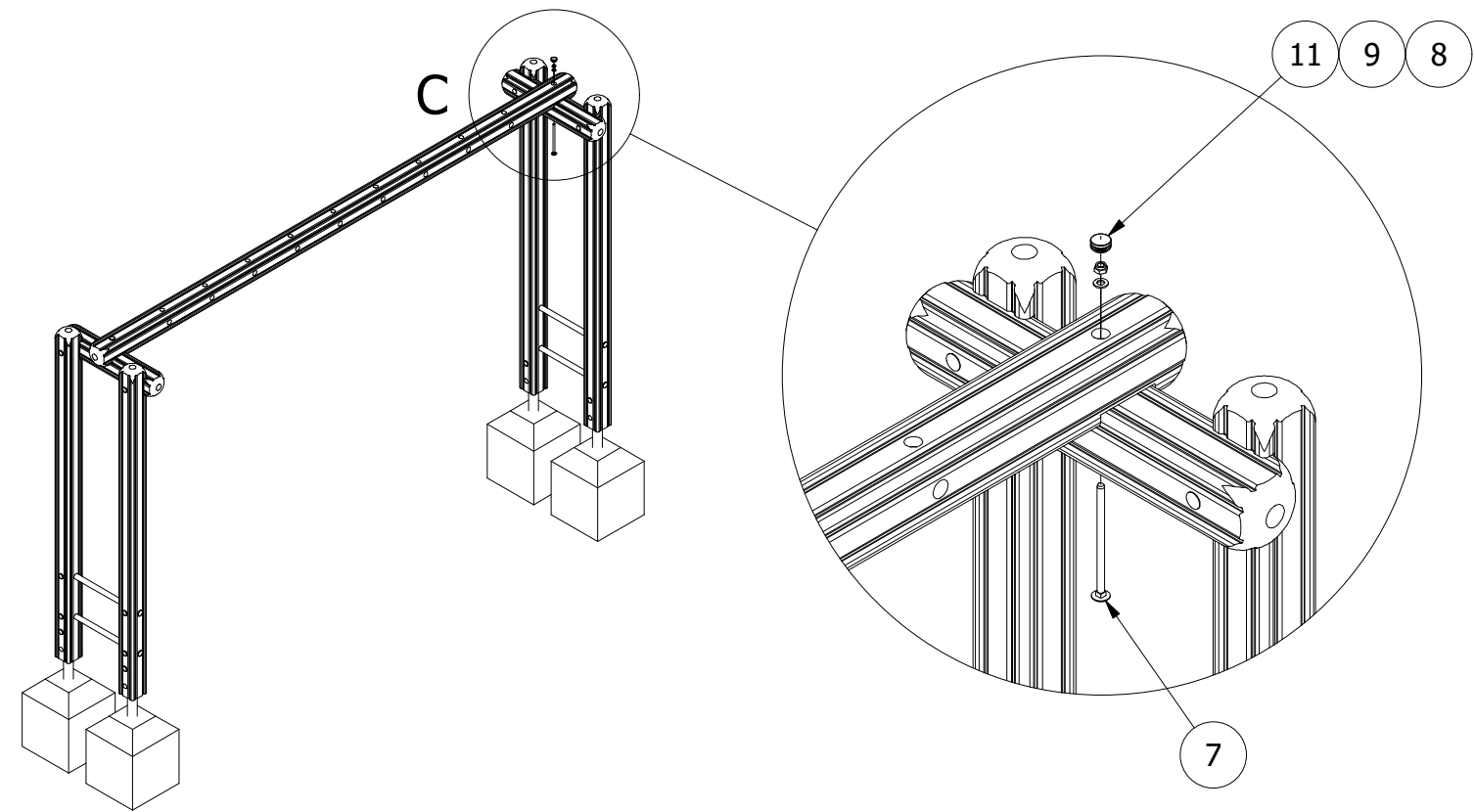
ALL FOUNDATIONS 400 X 400 X 600 DEEP UNLESS OTHERWISE SPECIFIED
800 DEEP FOR SAND OR BARK

UNLESS OTHERWISE SPECIFIED: DIMENSIONS ARE IN MILLIMETERS TOLERANCES: LINEAR: ±2MM 1 DECIMAL PLACE: ±0.5MM ANGULAR: ±1°	PROPRIETARY AND CONFIDENTIAL THE INFORMATION CONTAINED IN THIS DRAWING IS THE SOLE PROPERTY OF FENLAND LEISURE PRODUCTS. ANY REPRODUCTION IN PART OR AS A WHOLE WITHOUT THE WRITTEN PERMISSION OF FENLAND LEISURE PRODUCTS IS PROHIBITED.	Title: PRO-500-049 HORIZONTAL BARS (FC36)	
		Product Range: FITNESS TRAIL	
		Date: 01/05/2019	
		Page: A3	
		DO NOT SCALE FROM DRAWING	
		Tel: 01354 638359 www.onlineplaygrounds.co.uk	

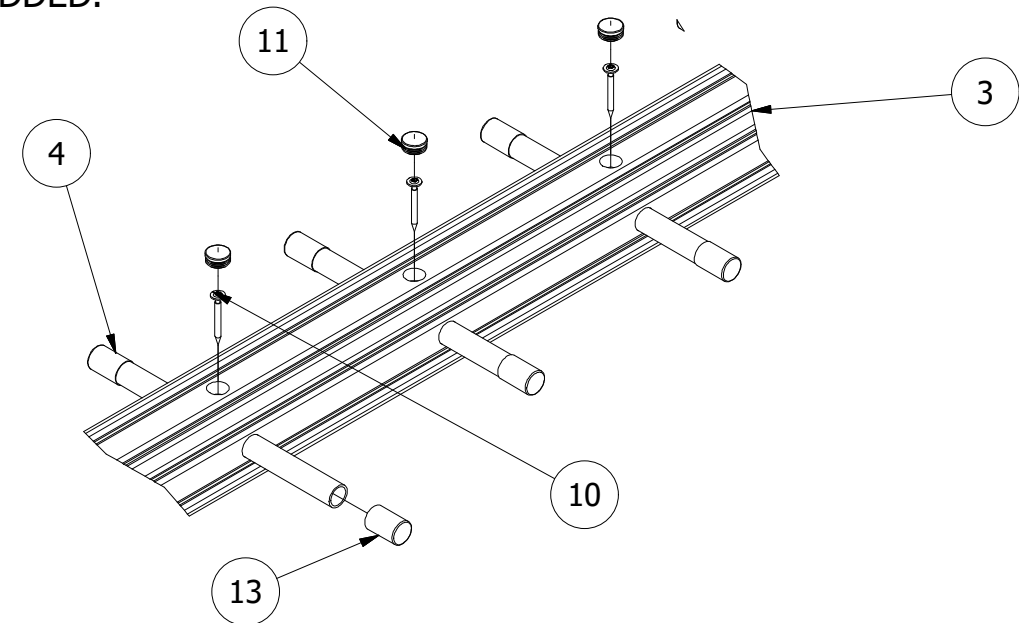
1. LAYING THE UNIT ON THE FLOOR, CREATE THE BOTH THE FRAMES, AS ILLUSTRATED BELOW, USING THE SUPPLIED FIXINGS. WHEN READY, LIFT THE FRAME INTO POSITION INTO THE FOUNDATION HOLES AND PROP IN PLACE ENSURING BOTH SIDES ARE FLUSH AND PLUMB.



2. AS SHOWN BELOW, CONNECT THE TWO FRAMES TOGETHER WITH THE HORIZONTAL BEAM (ITEM 3), USING THE SUPPLIED FIXINGS. ENSURE THE UNIT IS LEVEL & PLUMB



3. ATTACH THE HAND HOLD TO THE HORIZONTAL BEAM. ENSURE ALL PROTECTIVE CAPS HAVE BEEN ADDED.



UNLESS OTHERWISE SPECIFIED:
DIMENSIONS ARE IN MILLIMETERS
TOLERANCES:
LINEAR: $\pm 2\text{MM}$
1 DECIMAL PLACE: $\pm 0.5\text{MM}$
ANGULAR: $\pm 1^\circ$

PROPRIETARY AND CONFIDENTIAL

THE INFORMATION CONTAINED IN THIS DRAWING IS THE SOLE PROPERTY OF FENLAND LEISURE PRODUCTS. ANY REPRODUCTION IN PART OR AS A WHOLE WITHOUT THE WRITTEN PERMISSION OF FENLAND LEISURE PRODUCTS IS PROHIBITED.

Title: PRO-500-049 HORIZONTAL BARS (FC36)

Product Range: FITNESS TRAIL

Date:
01/05/2019

Page:

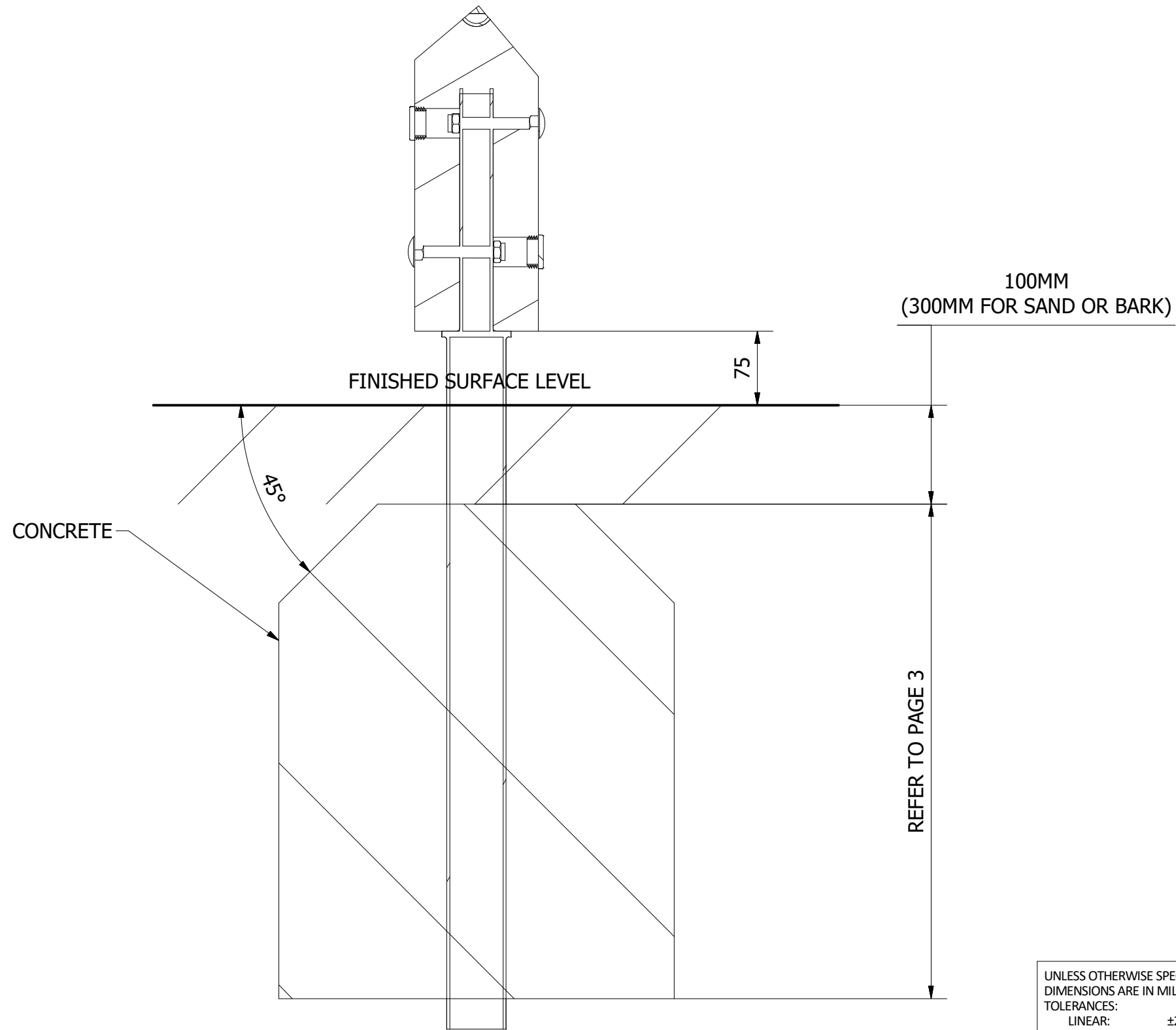
A3



DO NOT SCALE FROM DRAWING

Tel: 01354 638359 www.onlineplaygrounds.co.uk

3. FINALLY, ENSURE ALL FIXINGS HAVE BEEN TIGHTENED AND PROTECTIVE CAPS IN PLACE. ADD CONCRETE TO EACH FOUNDATION HOLE AND LEAVE FOR 48 HOURS



UNLESS OTHERWISE SPECIFIED:
DIMENSIONS ARE IN MILLIMETERS
TOLERANCES:
LINEAR: ±2MM
1 DECIMAL PLACE: ±0.5MM
ANGULAR: ±1°

PROPRIETARY AND CONFIDENTIAL
THE INFORMATION CONTAINED IN THIS
DRAWING IS THE SOLE PROPERTY OF
FENLAND LEISURE PRODUCTS. ANY
REPRODUCTION IN PART OR AS A WHOLE
WITHOUT THE WRITTEN PERMISSION
OF FENLAND
LEISURE PRODUCTS IS PROHIBITED.

Title: PRO-500-049 HORIZONTAL BARS (FC36)

Product Range: FITNESS TRAIL

Date:
01/05/2019

Page:

A3



DO NOT SCALE FROM DRAWING

Tel: 01354 638359 www.onlineplaygrounds.co.uk