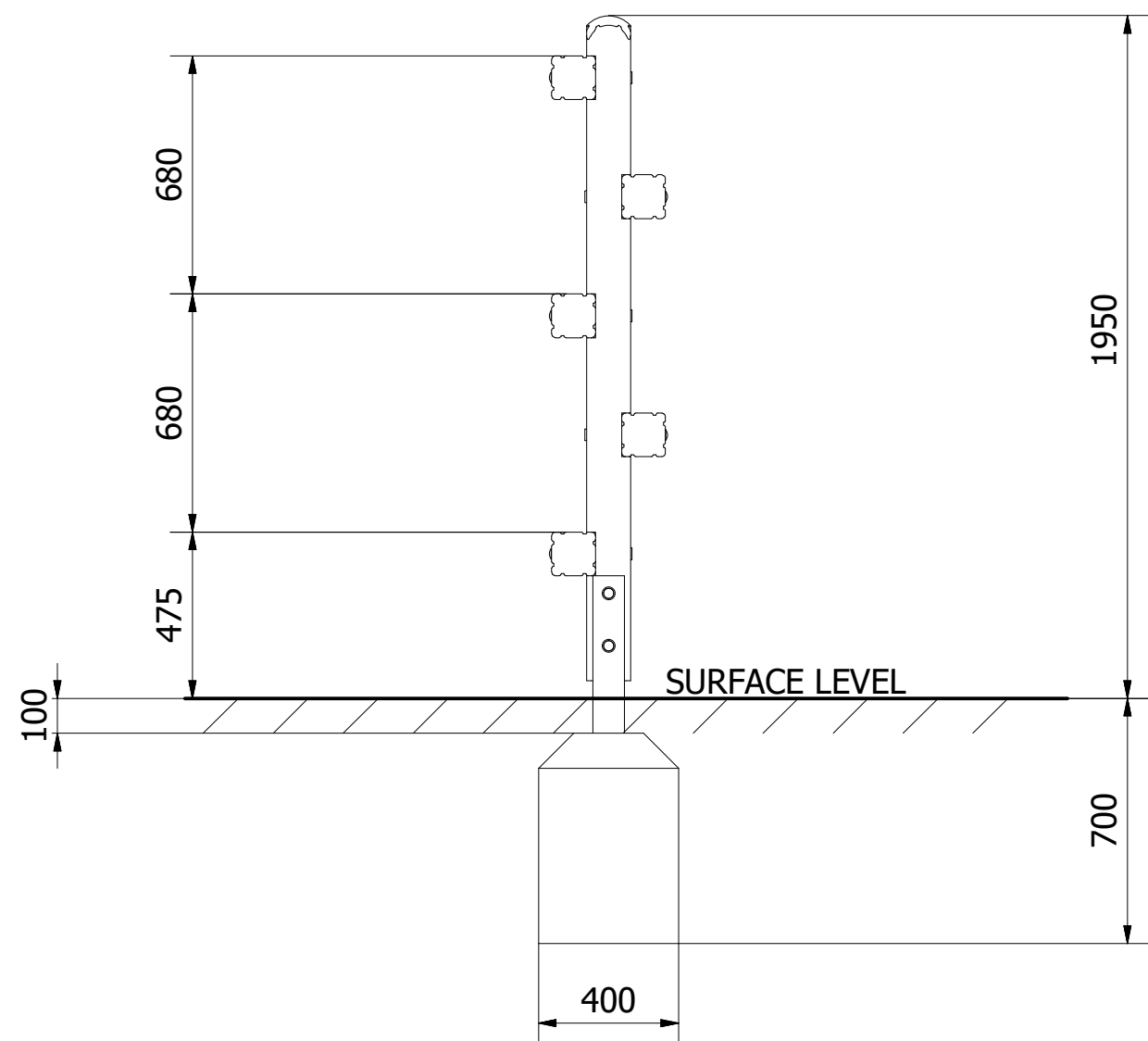
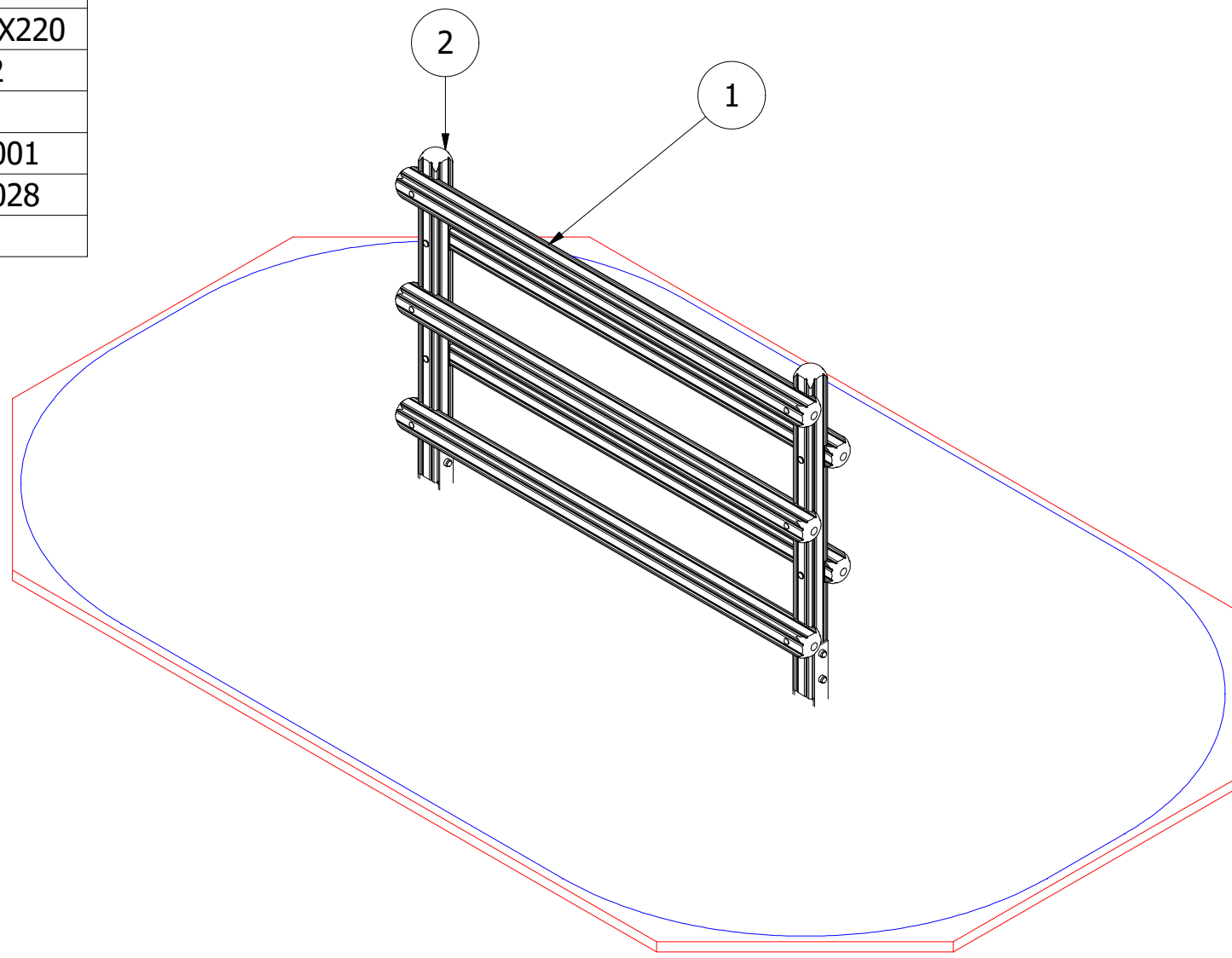

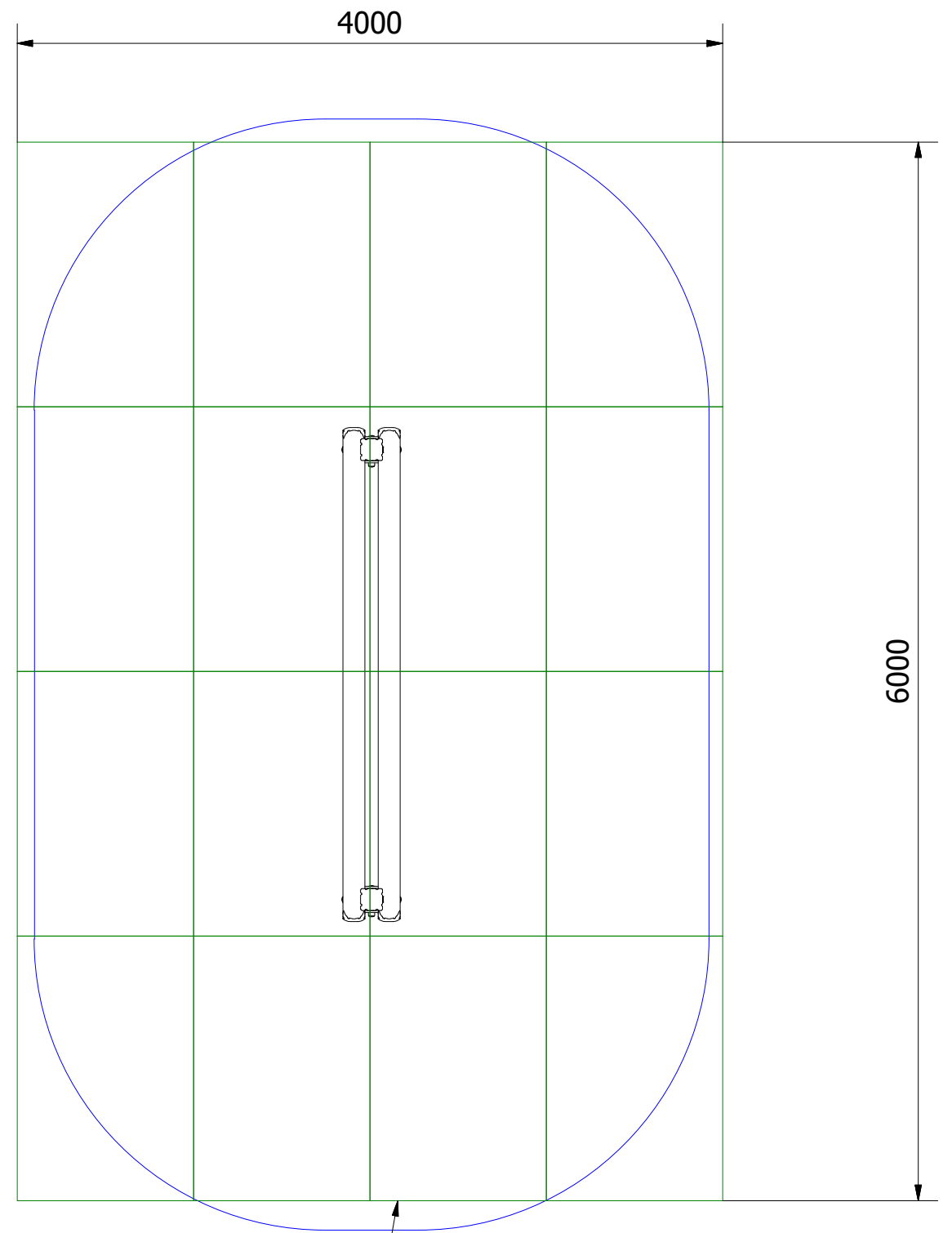
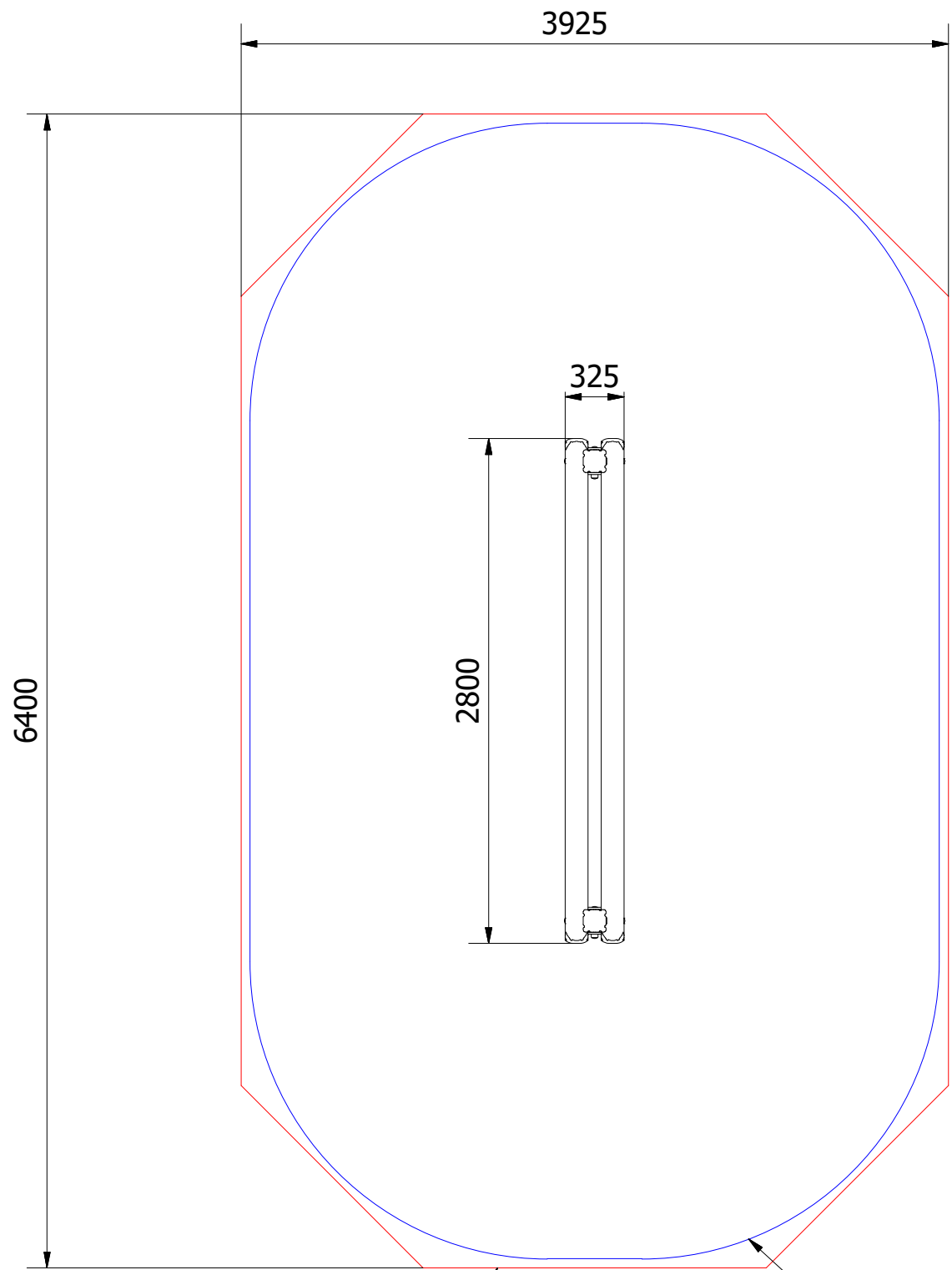


PARTS LIST				
ITEM	QTY	PART NUMBER	DESCRIPTION	STOCK NUMBER
1	5	TB-200-354	2800MM X 125MM SAFALOG	COMTIMSAF0001
2	2	TB-200-430_B	1900MM X 125MM (POST FOOT)	COMTIMSAF0001
3	2	MT-300-006	POST FOOT	
4	4	M12 X 160 COACH BOLT	M12 X 160 (DIN 603)	COMA2CBM12X160
5	10	M12 X 220 COACH BOLT	M12 X 220 (DIN 603)	COMA2CBM12X220
6	14	M12 WASHER	M12 WASHER (DIN 125)	COMA2FWM12
7	14	M12 NYLOC NUT	M12 NYLOC NUT (DIN 985)	COMA2NNM12
8	10	30MM BOLT COVER	30MM BLACK CAP	COMPLACAP0001
9	4	2 PART CAP (BLACK)	TWO PART CAP	COMPLACAP0028
10	2	400 x 400 x 600	0.096M ³ CONCRETE FOUNDATION	

INDICATOR SIGN				
ITEM	QTY	PART NUMBER	DESCRIPTION	STOCK NUMBER
2	1	PE-400-035	INDICATOR SIGN	COMSIGSIG0032
4	4	M3 X 25 POZI PAN SCREW	25MM POZI PAN SCREW	COMHARSTA0009



UNLESS OTHERWISE SPECIFIED: DIMENSIONS ARE IN MILLIMETERS TOLERANCES: LINEAR: ±2MM 1 DECIMAL PLACE: ±0.5MM ANGULAR: ±1°	PROPRIETARY AND CONFIDENTIAL THE INFORMATION CONTAINED IN THIS DRAWING IS THE SOLE PROPERTY OF FENLAND LEISURE PRODUCTS. ANY REPRODUCTION IN PART OR AS A WHOLE WITHOUT THE WRITTEN PERMISSION OF FENLAND LEISURE PRODUCTS IS PROHIBITED.	Title: PRO-500-063 GATE CLIMB (FC8)	
		Product Range: FITNESS TRAIL	
		<1.7M FFH	Date: 27/09/2021
		DO NOT SCALE FROM DRAWING	
Tel: 01354 638359 www.onlineplaygrounds.co.uk			

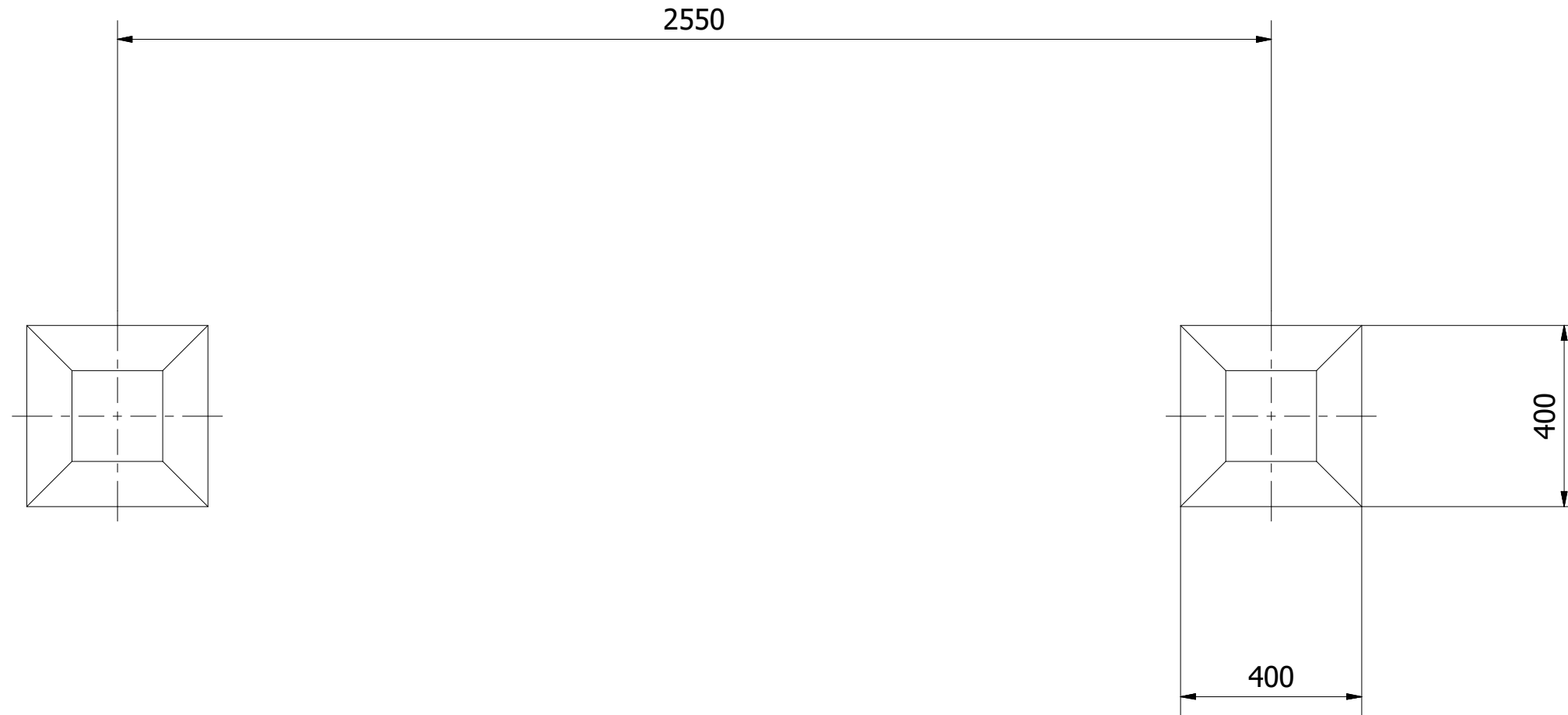


16 SAFAGRASS TILES (1.5 X 1.0M)

MIN SPACE

WETPOUR AREA = 23.0M²
PERIMETER = 18.3 L/M

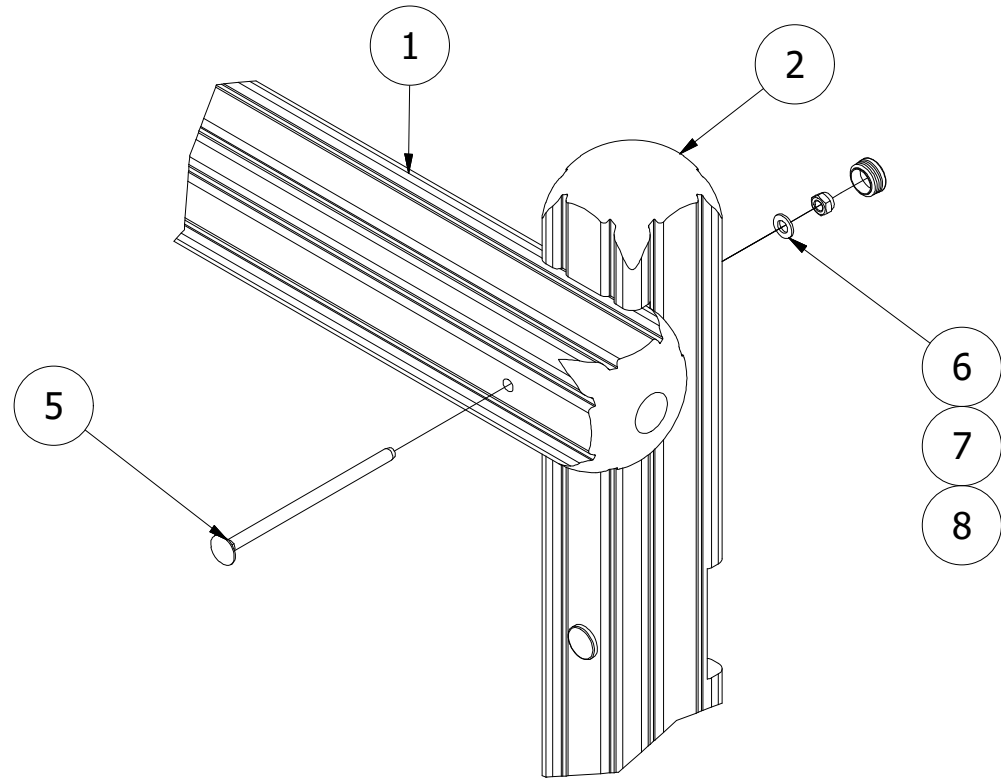
UNLESS OTHERWISE SPECIFIED: DIMENSIONS ARE IN MILLIMETERS TOLERANCES: LINEAR: ±2MM 1 DECIMAL PLACE: ±0.5MM ANGULAR: ±1°	PROPRIETARY AND CONFIDENTIAL THE INFORMATION CONTAINED IN THIS DRAWING IS THE SOLE PROPERTY OF FENLAND LEISURE PRODUCTS. ANY REPRODUCTION IN PART OR AS A WHOLE WITHOUT THE WRITTEN PERMISSION OF FENLAND LEISURE PRODUCTS IS PROHIBITED.	Title: PRO-500-063 GATE CLIMB (FC8)	
		Product Range: FITNESS TRAIL	
		Date: 27/09/2021	
		Page: 2	
		A3	
		DO NOT SCALE FROM DRAWING	
		Tel: 01354 638359 www.onlineplaygrounds.co.uk	



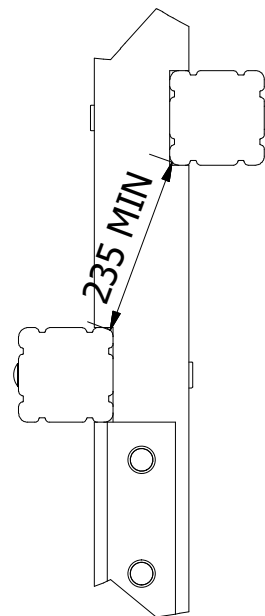
ALL FOUNDATIONS 400 X 400 X 700 DEEP UNLESS OTHERWISE SPECIFIED

<p>UNLESS OTHERWISE SPECIFIED: DIMENSIONS ARE IN MILLIMETERS</p> <p>TOLERANCES: LINEAR: ±2MM 1 DECIMAL PLACE: ±0.5MM ANGULAR: ±1°</p>	<p>PROPRIETARY AND CONFIDENTIAL</p> <p>THE INFORMATION CONTAINED IN THIS DRAWING IS THE SOLE PROPERTY OF FENLAND LEISURE PRODUCTS. ANY REPRODUCTION IN PART OR AS A WHOLE WITHOUT THE WRITTEN PERMISSION OF FENLAND LEISURE PRODUCTS IS PROHIBITED.</p>	<p>Title: PRO-500-063 GATE CLIMB (FC8)</p>	
		<p>Product Range: FITNESS TRAIL</p>	
		<p>Date: 27/09/2021</p>	
		<p>Page: 3</p>	
		<p>A3</p>	
		<p>DO NOT SCALE FROM DRAWING</p>	
		<p>Tel: 01354 638359 www.onlineplaygrounds.co.uk</p>	

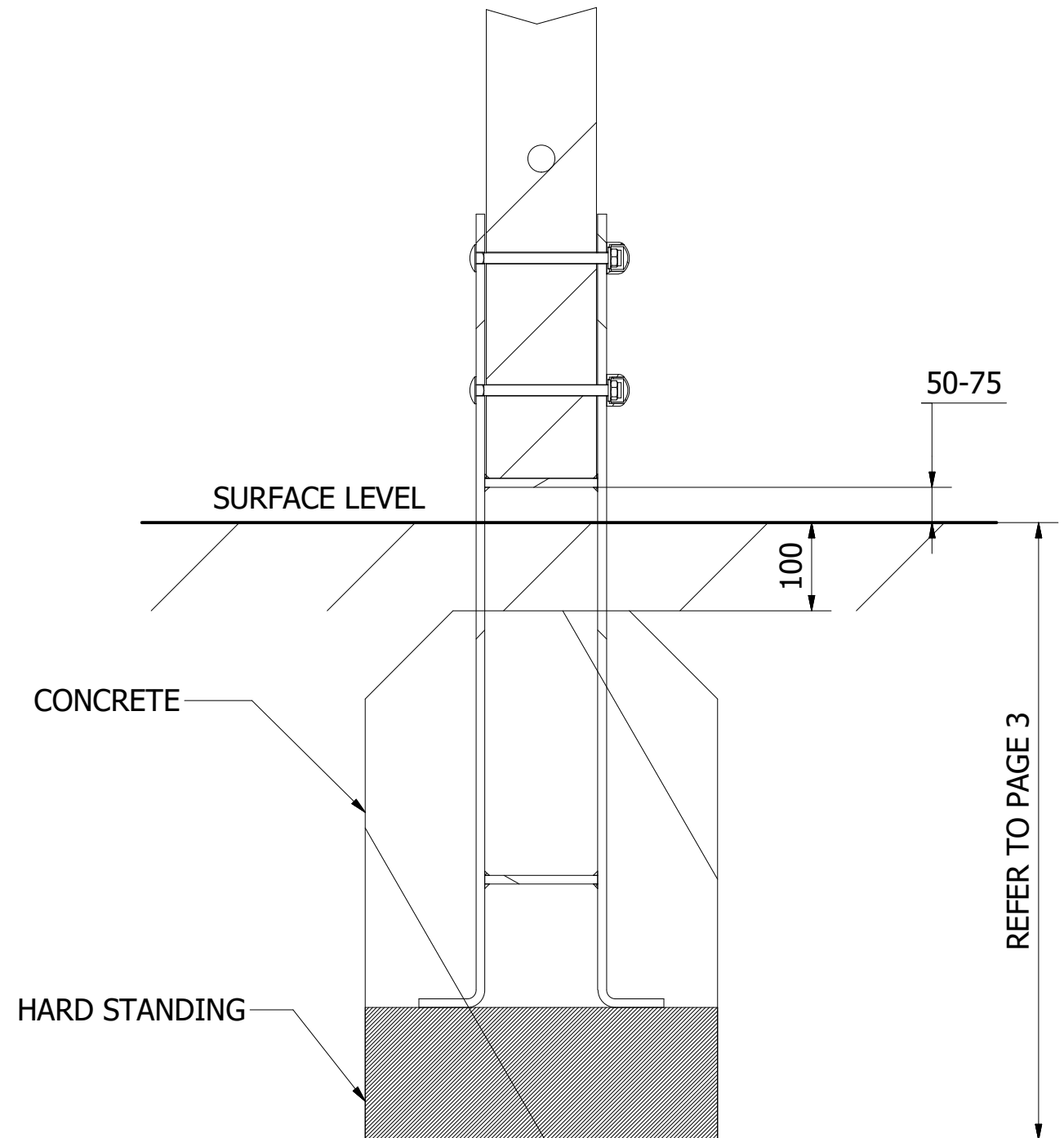
1. POSITION THE UPRIGHT POSTS (ITEM 2) INTO THE FOUNDATION HOLES AND PROP TO KEEP VERTICAL. USE RAPID SET CONCRETE TO SECURE ONE POST INTO THE GROUND, ENSURING THE POST IS LEVEL AND PLUMB.
2. WITH ONE POST SET, SECURE THE HORIZONTAL BEAMS (ITEM 1) TO THE VERTICAL TIMBERS (ITEM 2) USING THE SUPPLIED FIXINGS AS ILLUSTRATED BELOW.



NOTE: AS SHOWN BELOW, ENSURE A MIN DISTANCE OF 235MM IS MAINTAINED



3. FINALLY, ENSURE THE UNIT IS LEVEL & PLUMB, ALL FIXINGS HAVE BEEN TIGHTENED AND PROTECTIVE CAPS IN PLACE. ADD CONCRETE TO THE REMAINING FOUNDATION HOLE AND LEAVE FOR 48 HOURS



UNLESS OTHERWISE SPECIFIED: DIMENSIONS ARE IN MILLIMETERS TOLERANCES: LINEAR: ±2MM 1 DECIMAL PLACE: ±0.5MM ANGULAR: ±1°	PROPRIETARY AND CONFIDENTIAL THE INFORMATION CONTAINED IN THIS DRAWING IS THE SOLE PROPERTY OF FENLAND LEISURE PRODUCTS. ANY REPRODUCTION IN PART OR AS A WHOLE WITHOUT THE WRITTEN PERMISSION OF FENLAND LEISURE PRODUCTS IS PROHIBITED.	Title: PRO-500-063 GATE CLIMB (FC8)	
		Product Range: FITNESS TRAIL	
		Date: 27/09/2021	
		Page: 4	
		A3	
DO NOT SCALE FROM DRAWING		Tel: 01354 638359 www.onlineplaygrounds.co.uk	