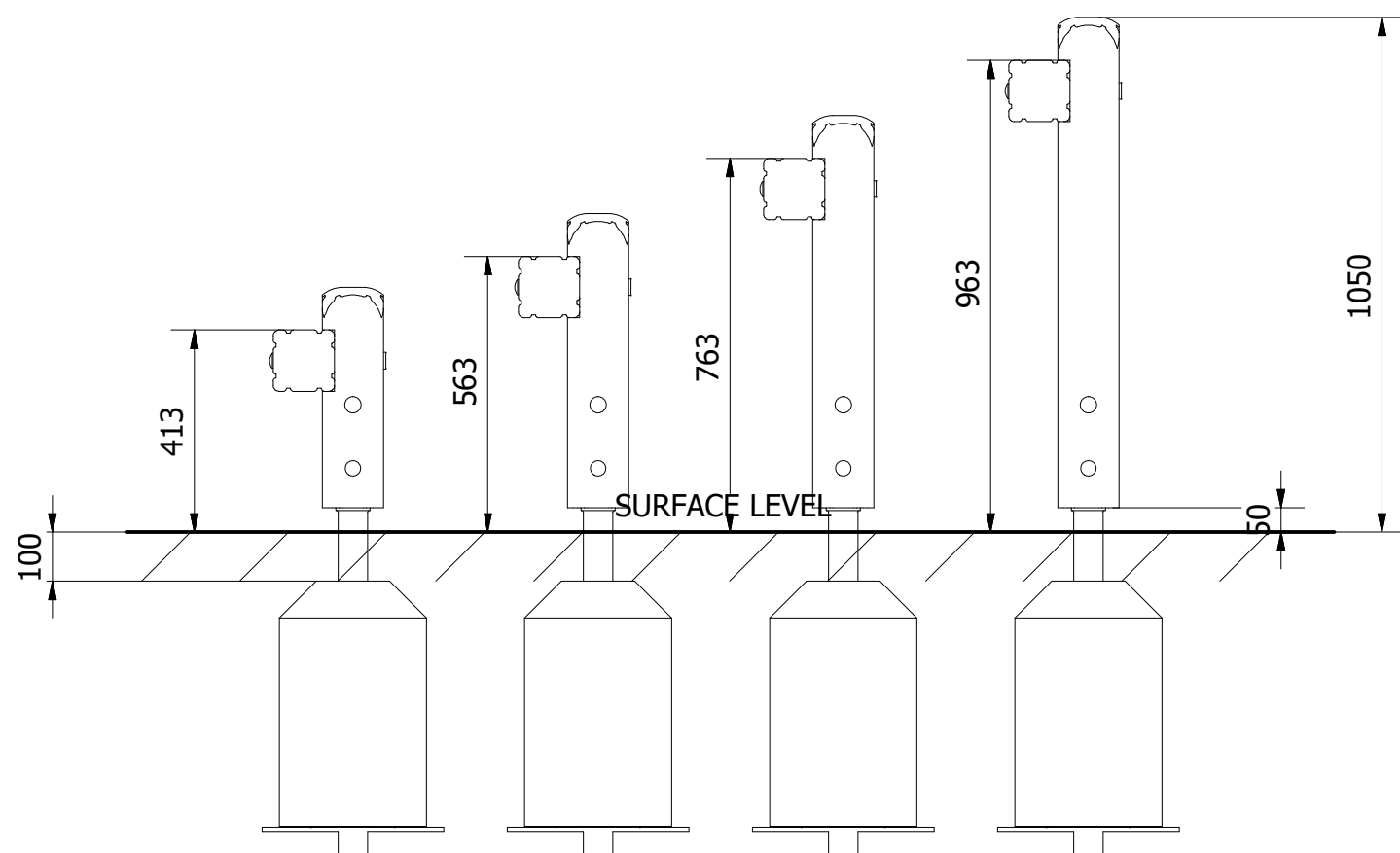
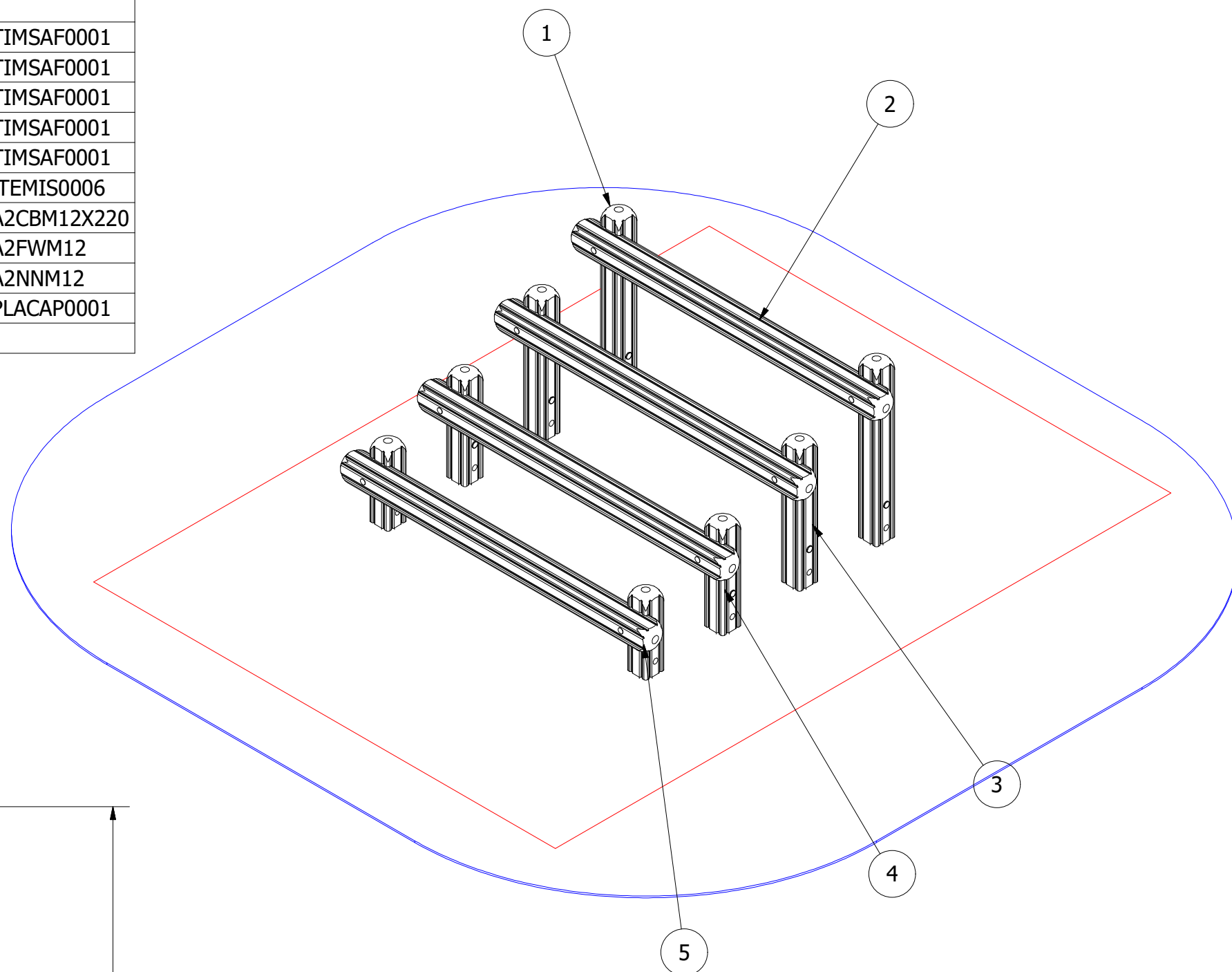


PARTS LIST				
ITEM	QTY	PART NUMBER	DESCRIPTION	STOCK NUMBER
1	2	TB-200-495_B	1000MM x 125MM (POST INSERT)	COMTIMSAF0001
2	4	TB-200-726	2000mm x 125mm SAFALOG	COMTIMSAF0001
3	2	TB-200-613_B	800MM X 125MM (POST INSERT)	COMTIMSAF0001
4	2	TB-200-614_B	600MM X 125MM (POST INSERT)	COMTIMSAF0001
5	2	TB-200-615_B	450MM X 125MM (POST INSERT)	COMTIMSAF0001
6	8	MOD-600-121 GROUND FOOT (125)	GROUND FOOT (125)	SUBSTEMIS0006
7	8	M12 X 220 COACH BOLT	M12 X 220 (DIN 603)	COMA2CBM12X220
8	8	M12 WASHER	M12 WASHER (DIN 125)	COMA2FWM12
9	8	M12 NYLOC NUT	M12 NYLOC NUT (DIN 985)	COMA2NNM12
10	8	30MM BOLT COVER	30MM BLACK CAP	COMPLACAP0001
11	8	300 x 300 x 500	0.045M ³ CONCRETE FOUNDATION	

INDICATOR SIGN				
ITEM	QTY	PART NUMBER	DESCRIPTION	
1	1	TB-200-399_B	1100 x 112mm (FC281650P)	
2	1	PE-400-035	INDICATOR SIGN	
3	1	MOD-600-116 GROUND FOOT	GROUND FOOT (112)	
4	4	M3 X 25 POZI PAN SCREW	25MM POZI PAN SCREW	
5	1	300 x 300 x 400	0.036M ³ CONCRETE FOUNDATION	



UNLESS OTHERWISE SPECIFIED:
DIMENSIONS ARE IN MILLIMETERS
TOLERANCES:
LINEAR: ±2MM
1 DECIMAL PLACE: ±0.5MM
ANGULAR: ±1°

PROPRIETARY AND CONFIDENTIAL
THE INFORMATION CONTAINED IN THIS DRAWING IS THE SOLE PROPERTY OF FENLAND LEISURE PRODUCTS. ANY REPRODUCTION IN PART OR AS A WHOLE WITHOUT THE WRITTEN PERMISSION OF FENLAND LEISURE PRODUCTS IS PROHIBITED.

Title: PRO-500-128 RUN & LEAP (FC9)_SF

Product Range: FITNESS TRAIL

<1.0M FFH

Date:
25/08/2021

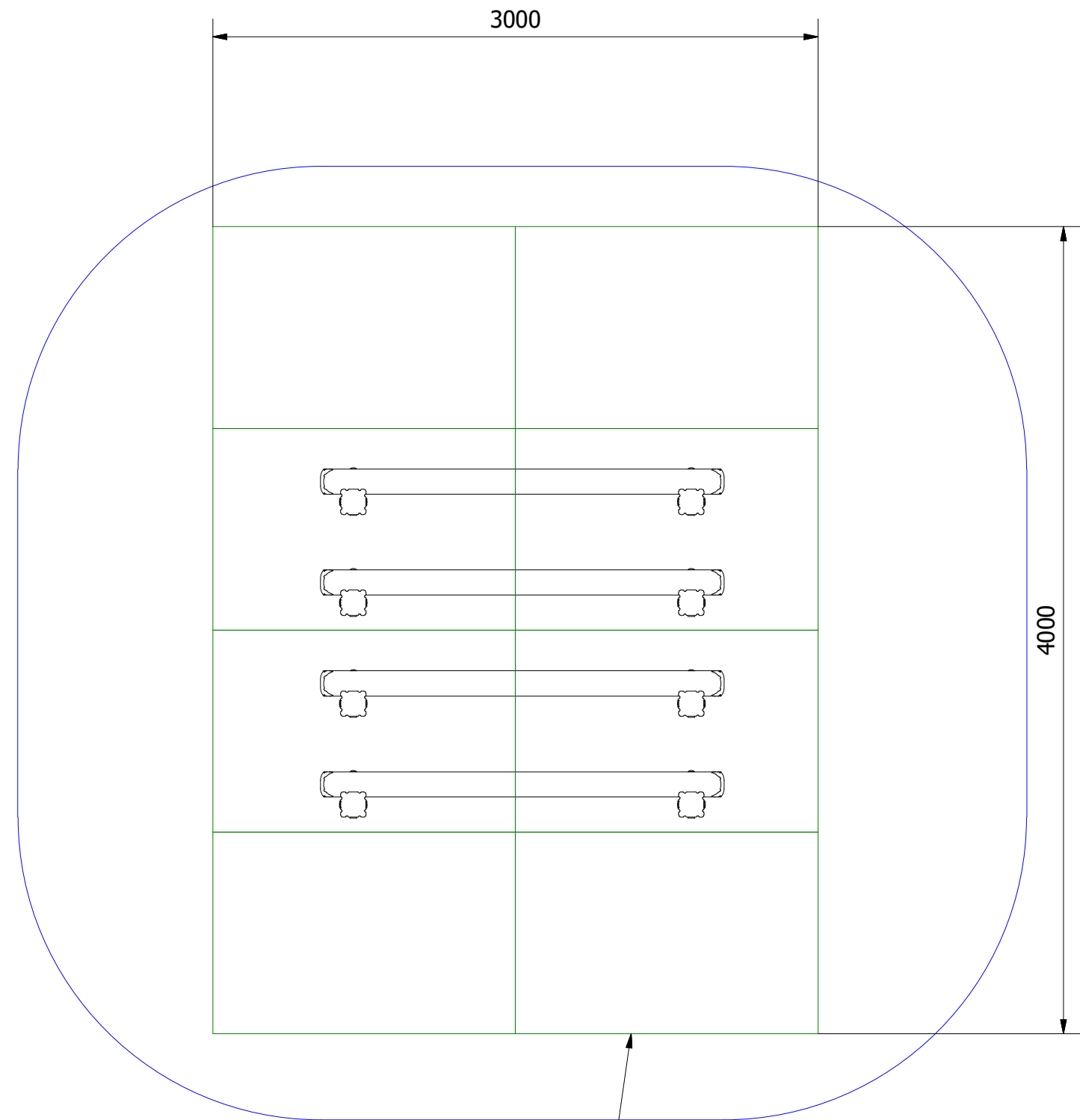
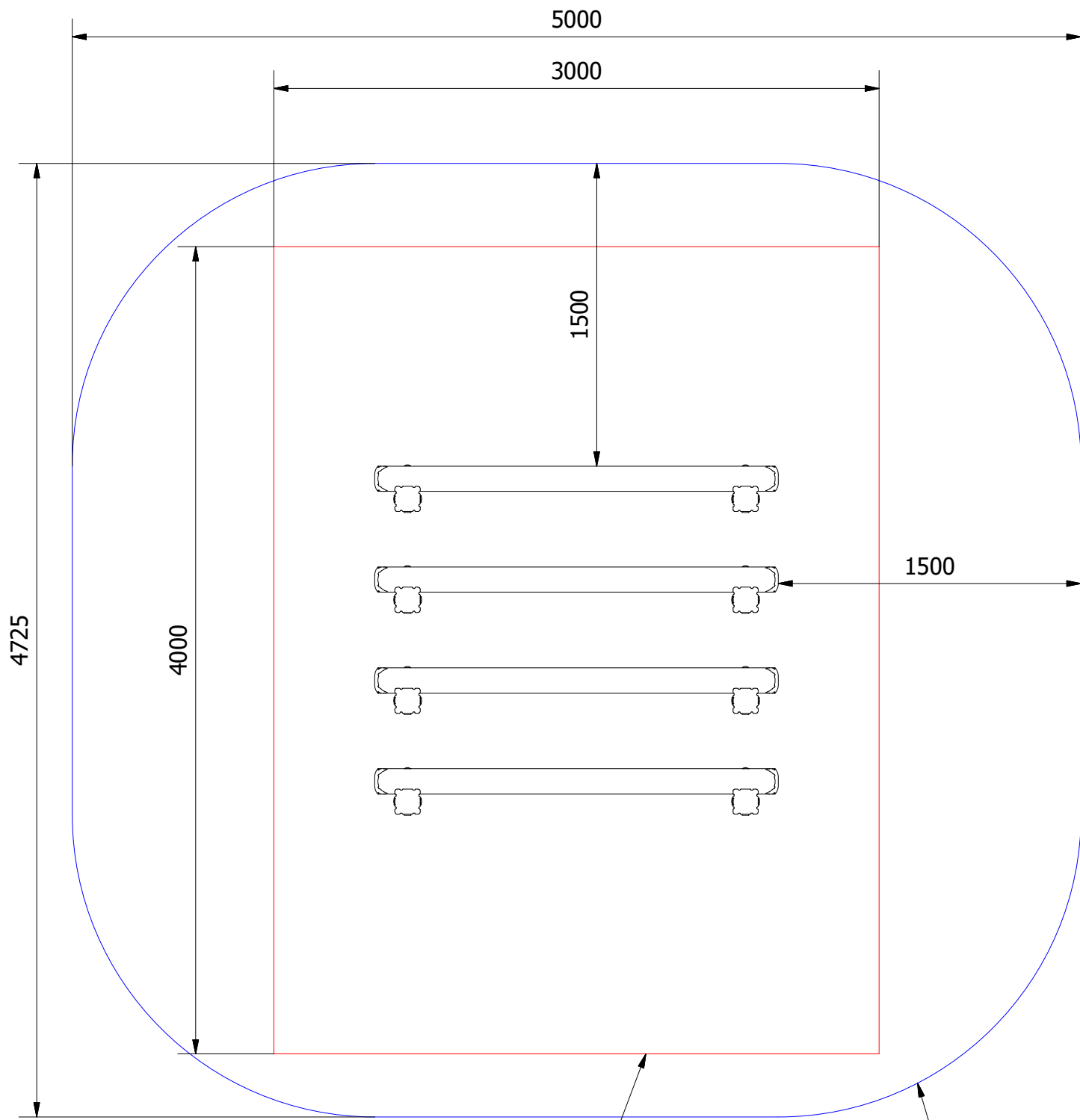
Page: 1

A3



DO NOT SCALE FROM DRAWING


Tel: 01354 638359 www.onlineplaygrounds.co.uk

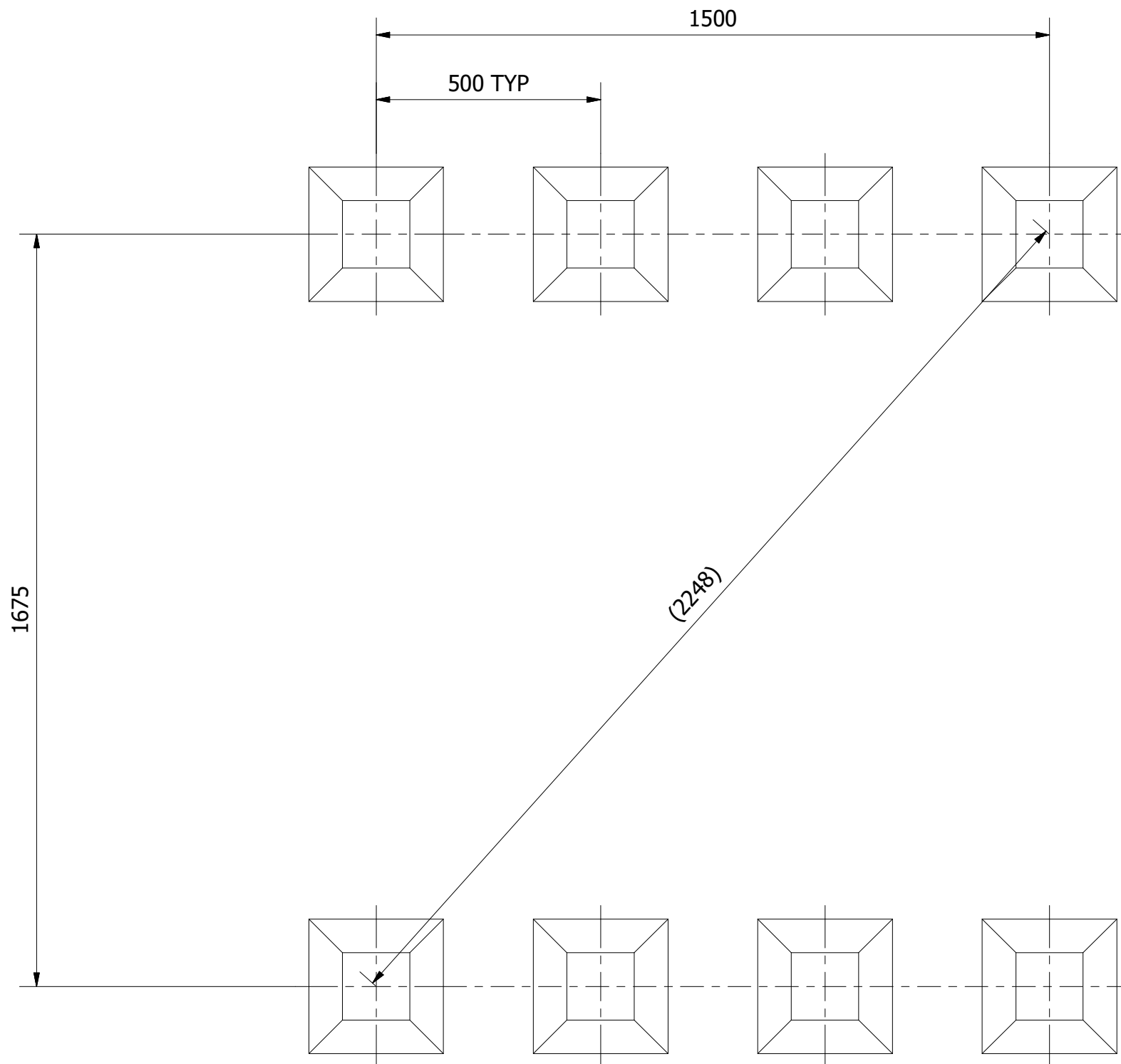


WETPOUR AREA = 12M²
PERIMETER = 14 L/M


MIN SPACE

8 SAFAGRASS TILES (1.5 X 1.0M)

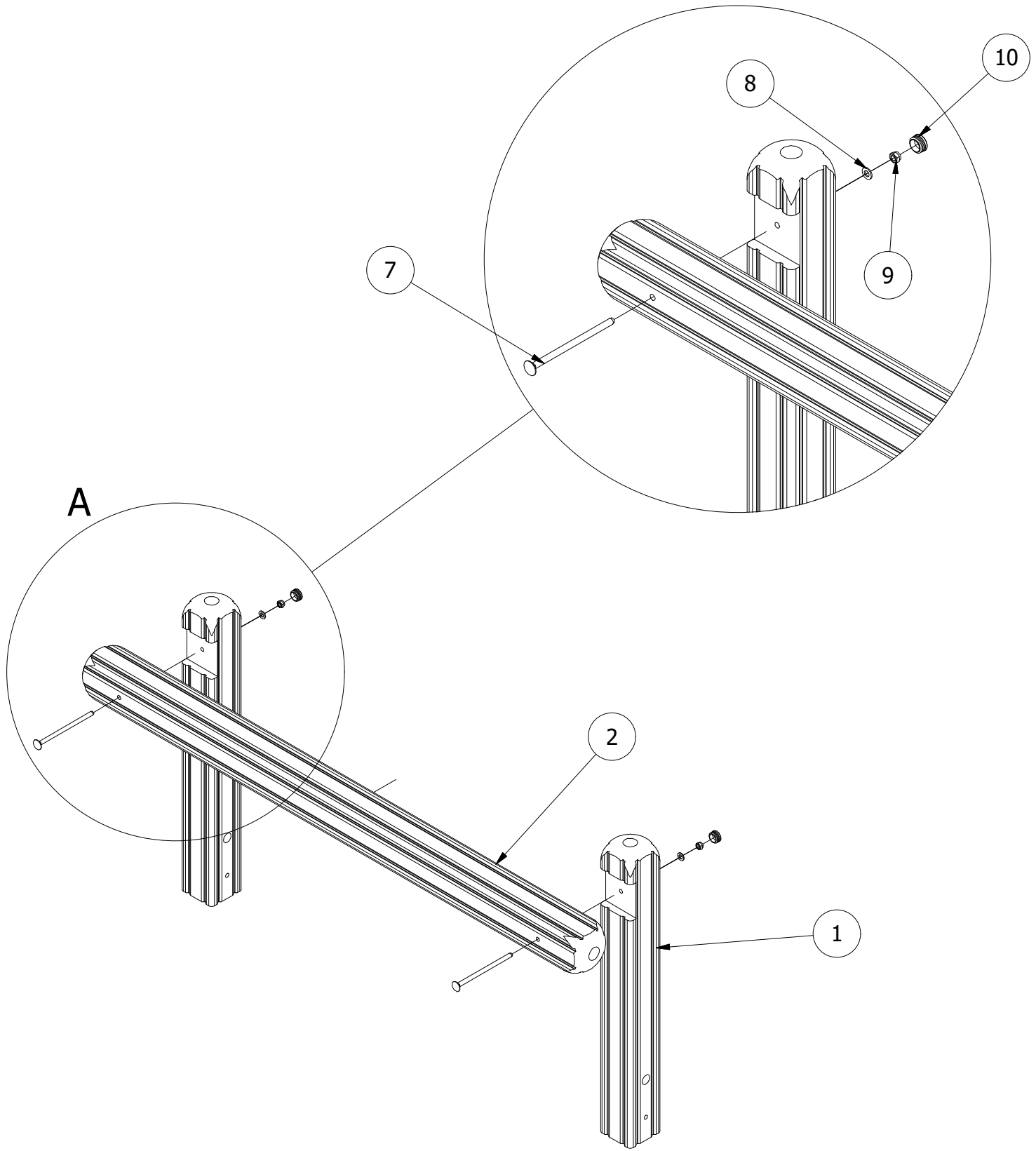
UNLESS OTHERWISE SPECIFIED: DIMENSIONS ARE IN MILLIMETERS TOLERANCES: LINEAR: ±2MM 1 DECIMAL PLACE: ±0.5MM ANGULAR: ±1°	PROPRIETARY AND CONFIDENTIAL THE INFORMATION CONTAINED IN THIS DRAWING IS THE SOLE PROPERTY OF FENLAND LEISURE PRODUCTS. ANY REPRODUCTION IN PART OR AS A WHOLE WITHOUT THE WRITTEN PERMISSION OF FENLAND LEISURE PRODUCTS IS PROHIBITED.	Title: PRO-500-128 RUN & LEAP (FC9)_SF	
		Product Range: FITNESS TRAIL	
		Date: 25/08/2021	
		Page: 2	
		A3	
		DO NOT SCALE FROM DRAWING	
		Tel: 01354 638359 www.onlineplaygrounds.co.uk	



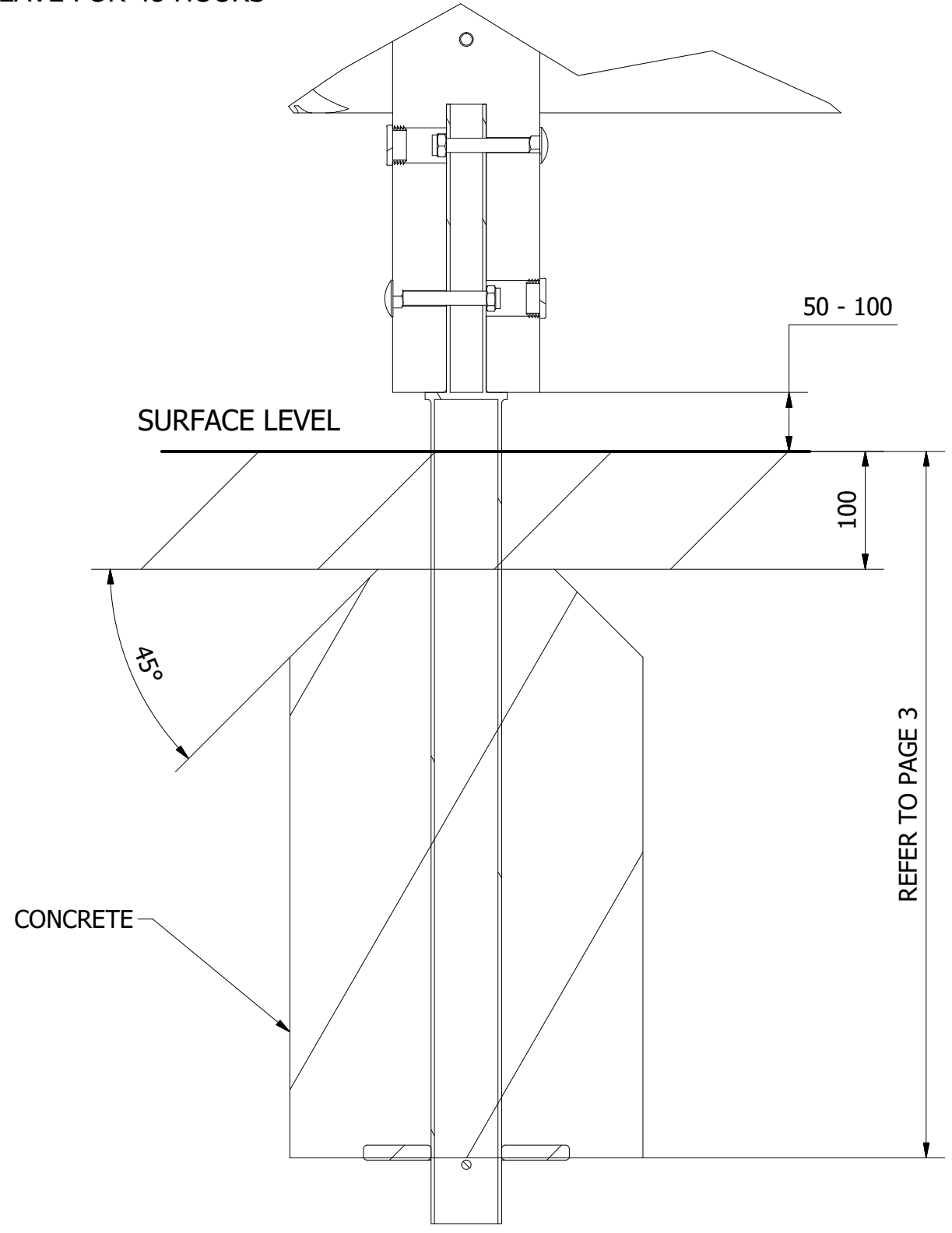
ALL FOUNDATIONS 300 X 300 X 600 DEEP UNLESS OTHERWISE SPECIFIED


UNLESS OTHERWISE SPECIFIED: DIMENSIONS ARE IN MILLIMETERS TOLERANCES: LINEAR: ±2MM 1 DECIMAL PLACE: ±0.5MM ANGULAR: ±1°	PROPRIETARY AND CONFIDENTIAL THE INFORMATION CONTAINED IN THIS DRAWING IS THE SOLE PROPERTY OF FENLAND LEISURE PRODUCTS. ANY REPRODUCTION IN PART OR AS A WHOLE WITHOUT THE WRITTEN PERMISSION OF FENLAND LEISURE PRODUCTS IS PROHIBITED.	Title: PRO-500-128 RUN & LEAP (FC9)_SF	
		Product Range: FITNESS TRAIL	
		Date: 25/08/2021	
		Page: 3	
		A3	
		DO NOT SCALE FROM DRAWING	
		Tel: 01354 638359 www.onlineplaygrounds.co.uk	

1. AS SHOWN BELOW, CREATE THE H-FRAME BY CONNECTING POST ITEM 1, TO POST ITEM 2 USING THE SUPPLIED FIXINGS. POSITION THE FRAME INTO THE FOUNDATION HOLES DETAILED ON PREVIOUS PAGE.



2. FINALLY, ENSURE THE UNIT IS LEVEL & PLUMB, ALL FIXINGS HAVE BEEN TIGHTENED AND PROTECTIVE CAPS IN PLACE. ADD CONCRETE TO THE FOUNDATION HOLE AND LEAVE FOR 48 HOURS



UNLESS OTHERWISE SPECIFIED: DIMENSIONS ARE IN MILLIMETERS TOLERANCES: LINEAR: ±2MM 1 DECIMAL PLACE: ±0.5MM ANGULAR: ±1°	PROPRIETARY AND CONFIDENTIAL THE INFORMATION CONTAINED IN THIS DRAWING IS THE SOLE PROPERTY OF FENLAND LEISURE PRODUCTS. ANY REPRODUCTION IN PART OR AS A WHOLE WITHOUT THE WRITTEN PERMISSION OF FENLAND LEISURE PRODUCTS IS PROHIBITED.	Title: PRO-500-128 RUN & LEAP (FC9)_SF	
		Product Range: FITNESS TRAIL	
		Date: 25/08/2021	
		Page: 4	
		A3	
		DO NOT SCALE FROM DRAWING	
		Tel: 01354 638359 www.onlineplaygrounds.co.uk	