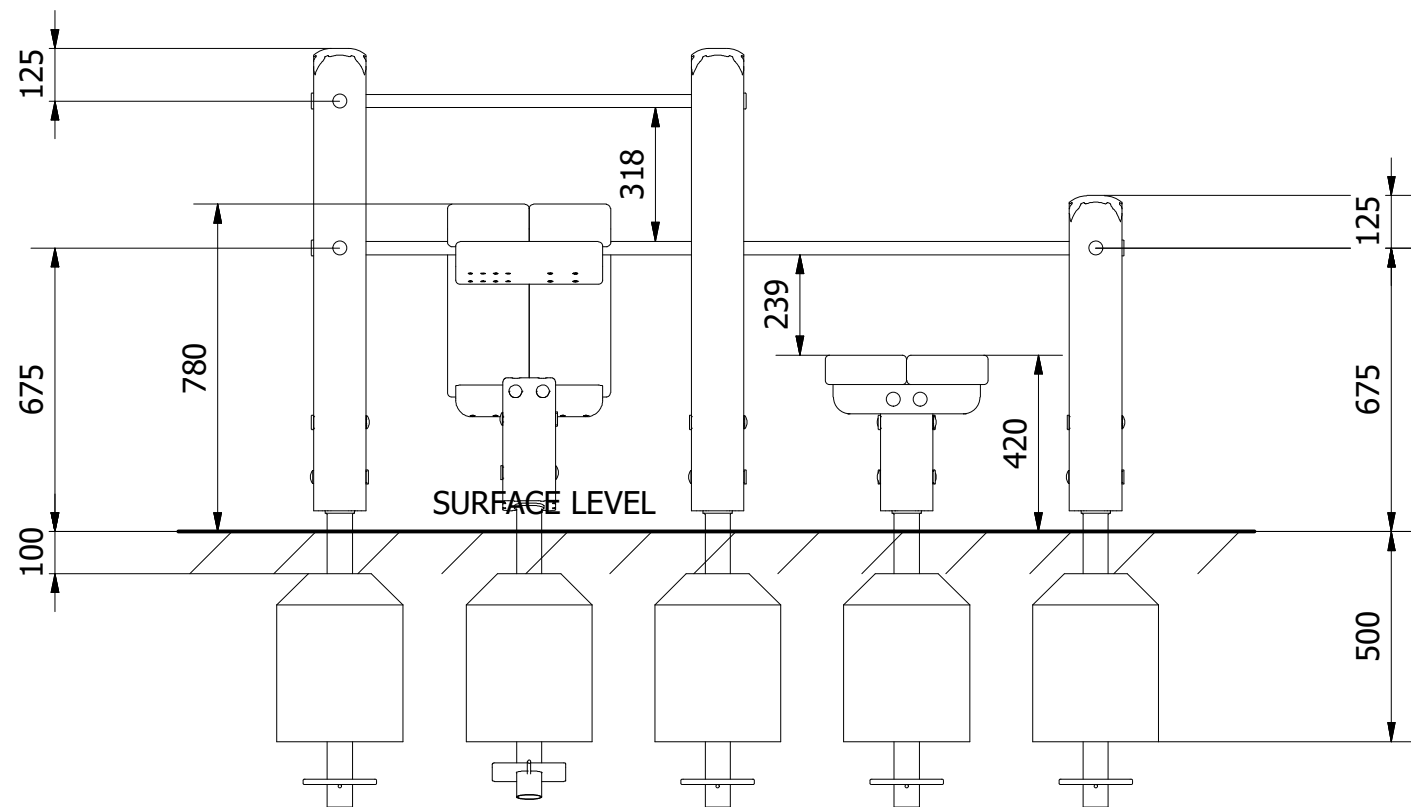
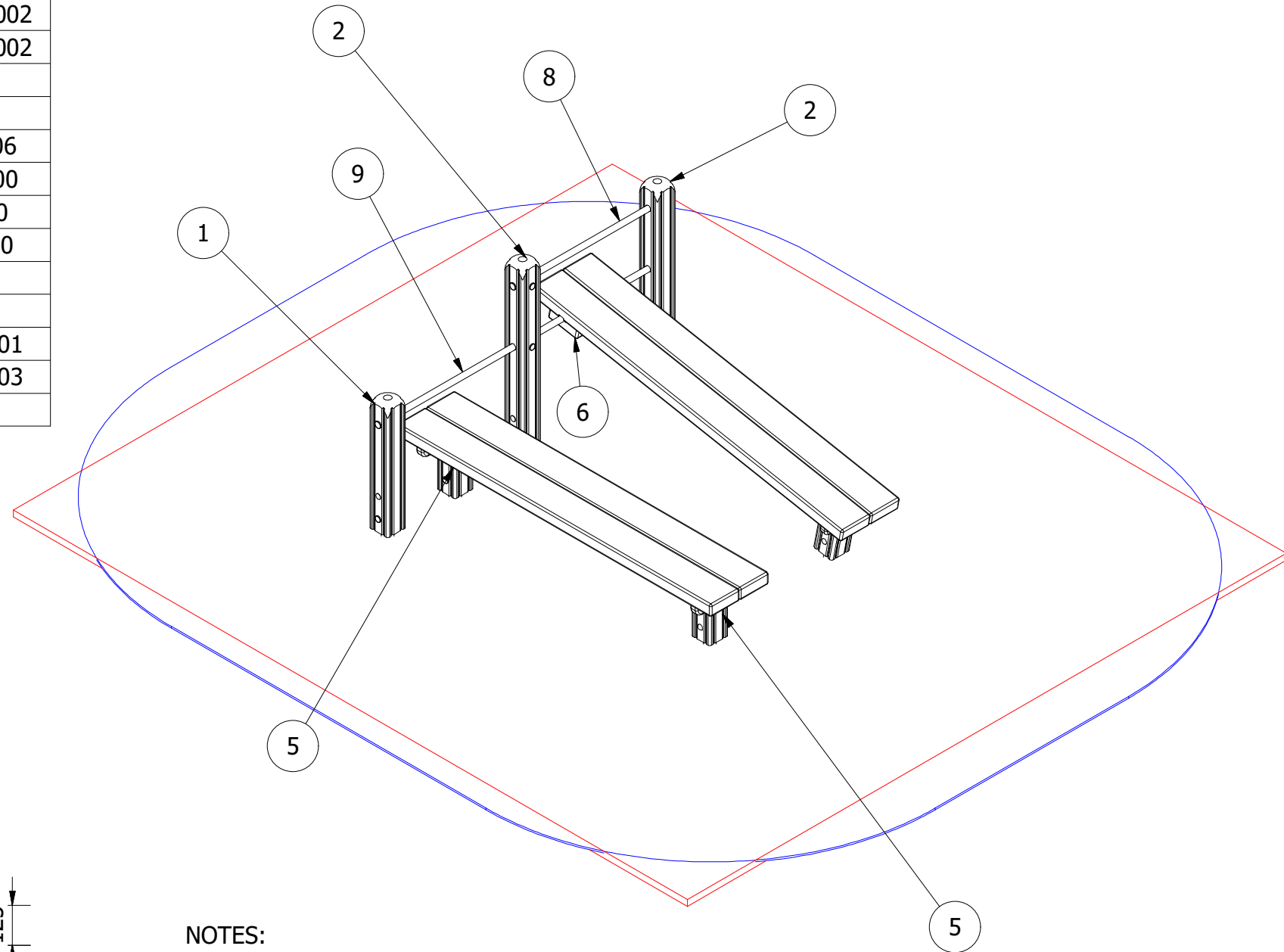


PARTS LIST


ITEM	QTY	PART NUMBER	DESCRIPTION	STOCK NUMBER
1	1	TB-200-342_B	750mm x 125mm SAFALOG	COMTIMSAF0001
2	2	TB-200-343_B	1100mm x 125mm SAFALOG	COMTIMSAF0001
3	3	TB-200-344	350 x 70 x 45	COMTIMSAW0007
4	2	TB-200-345	2100 x 195 x 70	COMTIMSAW0002
5	3	TB-200-346_B	300mm x 125mm SAFALOG	COMTIMSAF0001
6	1	TB-200-347	350 x 195 x 70	COMTIMSAW0002
7	2	TB-200-500	2100 x 195 x 70	COMTIMSAW0002
8	1	MT-300-041	960 X 31.75 DIA (6063 ALU)	
9	1	MT-300-042	1860 X 31.75 DIA (6063 ALU)	
10	6	MOD-600-121 GROUND FOOT (125)	GROUND FOOT (125)	SUBSTEMIS0006
11	20	M6 X 100 TORX WOODSCREW	100MM TORX WOODSCREW	COMA2WS6X100
12	5	M8 X 80 TORX WASHER HEAD	80MM WASHER SCREW	COMA2WH8X80
13	6	M12 X 140 COACH BOLT	M12 X 140 (DIN 603)	COMSTABOL140
14	6	M12 NYLOC NUT	M12 NYLOC NUT (DIN 985)	COMA2NNM12
15	6	M12 WASHER	M12 WASHER (DIN 125)	COMA2FWM12
16	11	30MM BOLT COVER	30MM BLACK CAP	COMPLACAP0001
17	4	34MM BOLT COVER	34MM CAP	COMPLACAP0003
18	6	300 x 300 x 400	0.036M <sup>3</sup> CONCRETE FOUNDATION	

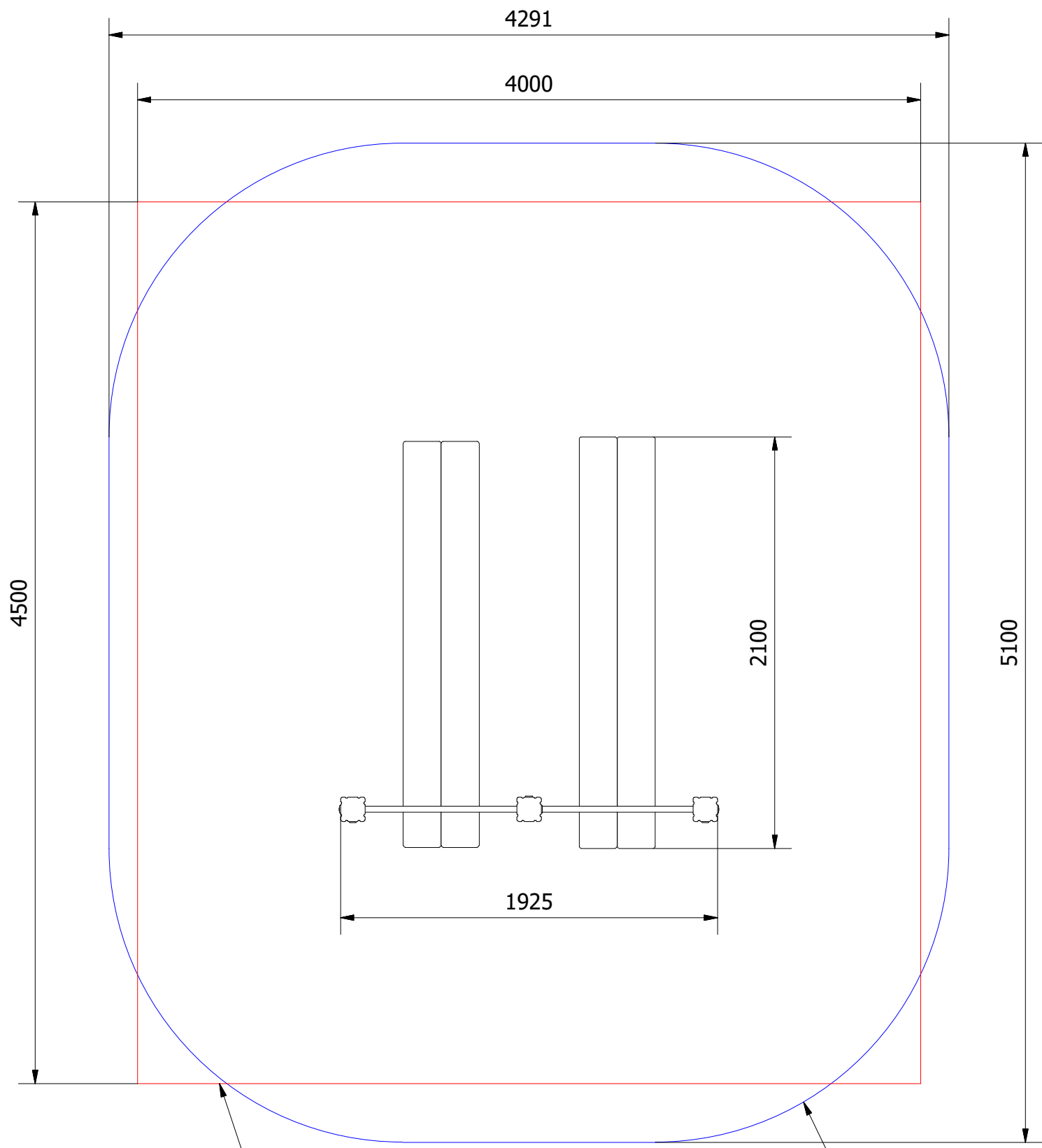
INDICATOR SIGN

ITEM	QTY	PART NUMBER	DESCRIPTION	STOCK NUMBER
1	1	TB-200-399_B	1100 x 112mm (FC281650P)	COMTIMSAF0002
2	1	PE-400-035	INDICATOR SIGN	COMSIGSIG0032
3	1	MOD-600-116 GROUND FOOT	GROUND FOOT (112)	SUBSTEMIS0004
4	4	M3 X 25 POZI PAN SCREW	25MM POZI PAN SCREW	COMHARSTA0009
5	1	300 x 300 x 400	0.036M <sup>3</sup> CONCRETE FOUNDATION	



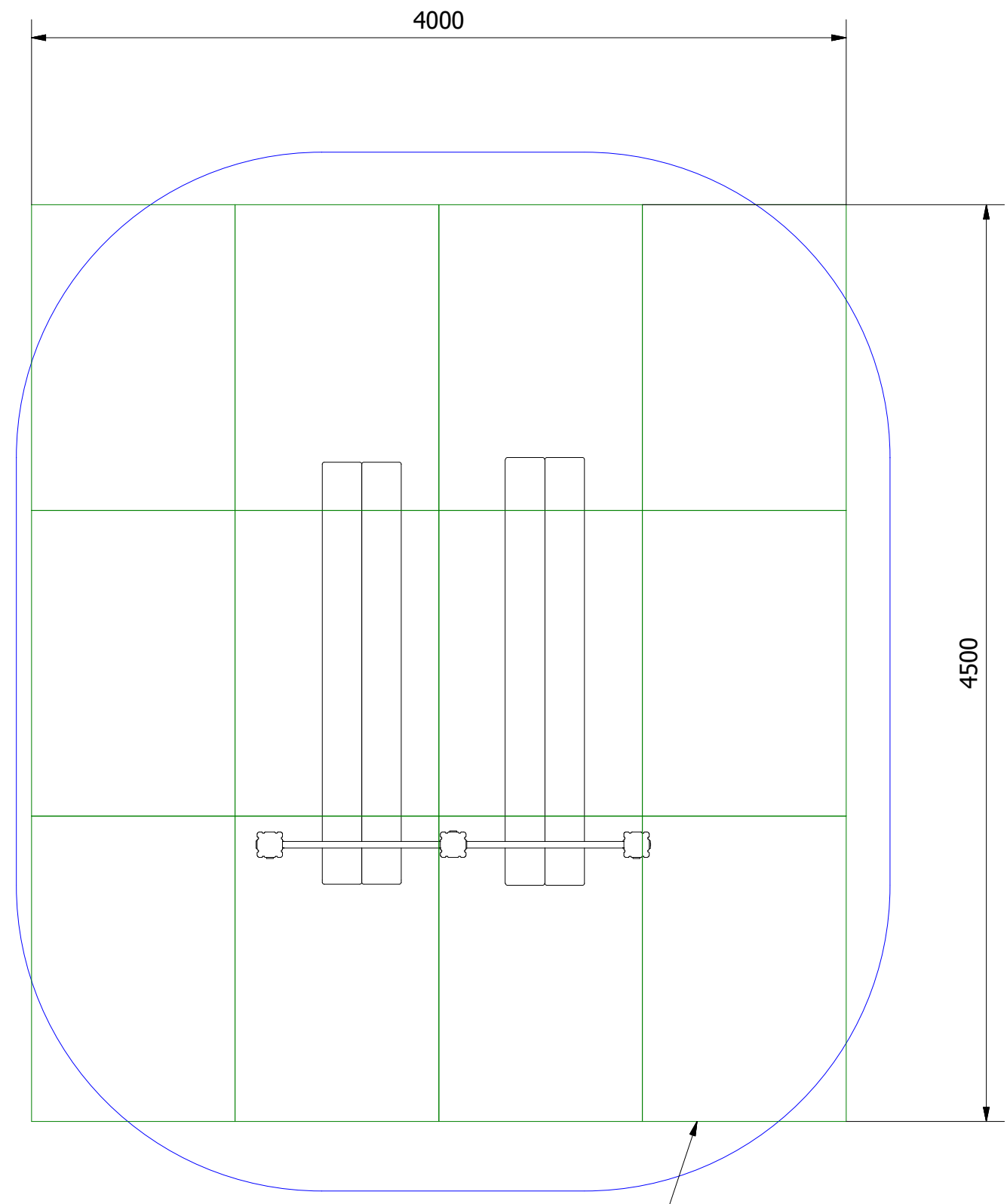
NOTES:  
 STEELWORK: EXPORT - ALUMINIUM  
 U.K - STAINLESS STEEL  
 INDICATOR SIGN: EXPORT - COMSIGSIG0042  
 U.K - COMSIGSIG0032

UNLESS OTHERWISE SPECIFIED: DIMENSIONS ARE IN MILLIMETERS TOLERANCES: LINEAR: ±2MM 1 DECIMAL PLACE: ±0.5MM ANGULAR: ±1°	PROPRIETARY AND CONFIDENTIAL THE INFORMATION CONTAINED IN THIS DRAWING IS THE SOLE PROPERTY OF FENLAND LEISURE PRODUCTS. ANY REPRODUCTION IN PART OR AS A WHOLE WITHOUT THE WRITTEN PERMISSION OF FENLAND LEISURE PRODUCTS IS PROHIBITED.	Title: PRO-500-051 ABS BENCH (FC14)_SF	
		Product Range: FITNESS TRAIL	
		<0.8M FFH	Date: 01/05/2019
			Page: 1
DO NOT SCALE FROM DRAWING Tel: 01354 638359 www.onlineplaygrounds.co.uk		A3	



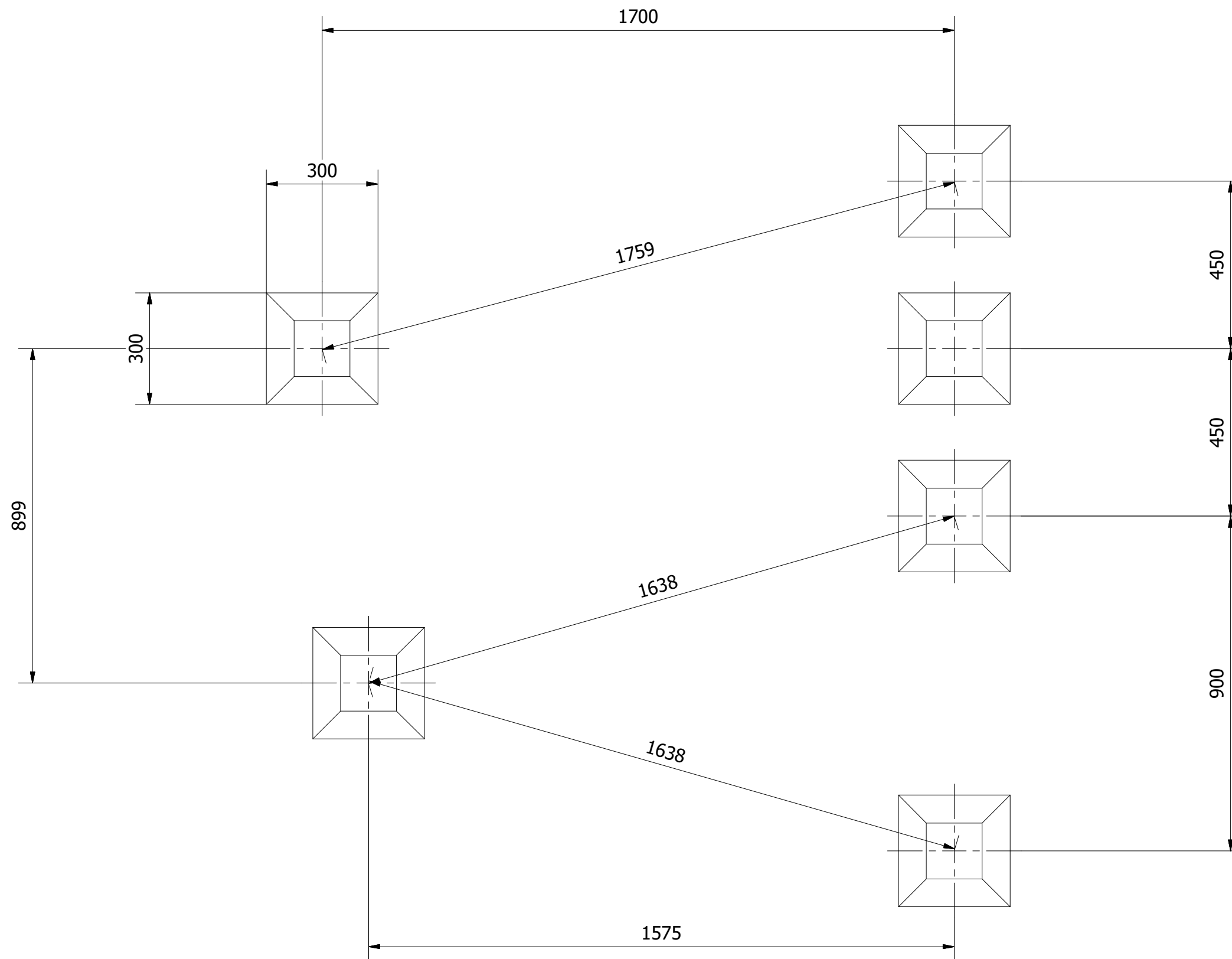
MIN SPACE

WETPOUR AREA = 18M<sup>2</sup>  
PERIMETER = 17 L/M



12 SAFAGRASS TILES (1.5 X 1.0M)

UNLESS OTHERWISE SPECIFIED: DIMENSIONS ARE IN MILLIMETERS TOLERANCES: LINEAR: ±2MM 1 DECIMAL PLACE: ±0.5MM ANGULAR: ±1°	<b>PROPRIETARY AND CONFIDENTIAL</b> THE INFORMATION CONTAINED IN THIS DRAWING IS THE SOLE PROPERTY OF FENLAND LEISURE PRODUCTS. ANY REPRODUCTION IN PART OR AS A WHOLE WITHOUT THE WRITTEN PERMISSION OF FENLAND LEISURE PRODUCTS IS PROHIBITED.	Title: PRO-500-051 ABS BENCH (FC14)_SF	
		Product Range: FITNESS TRAIL	
		Date: 01/05/2019	
		Page: 2	
		A3	
DO NOT SCALE FROM DRAWING		Tel: 01354 638359 www.onlineplaygrounds.co.uk	



ALL FOUNDATIONS 300 X 300 X 500 DEEP UNLESS OTHERWISE SPECIFIED

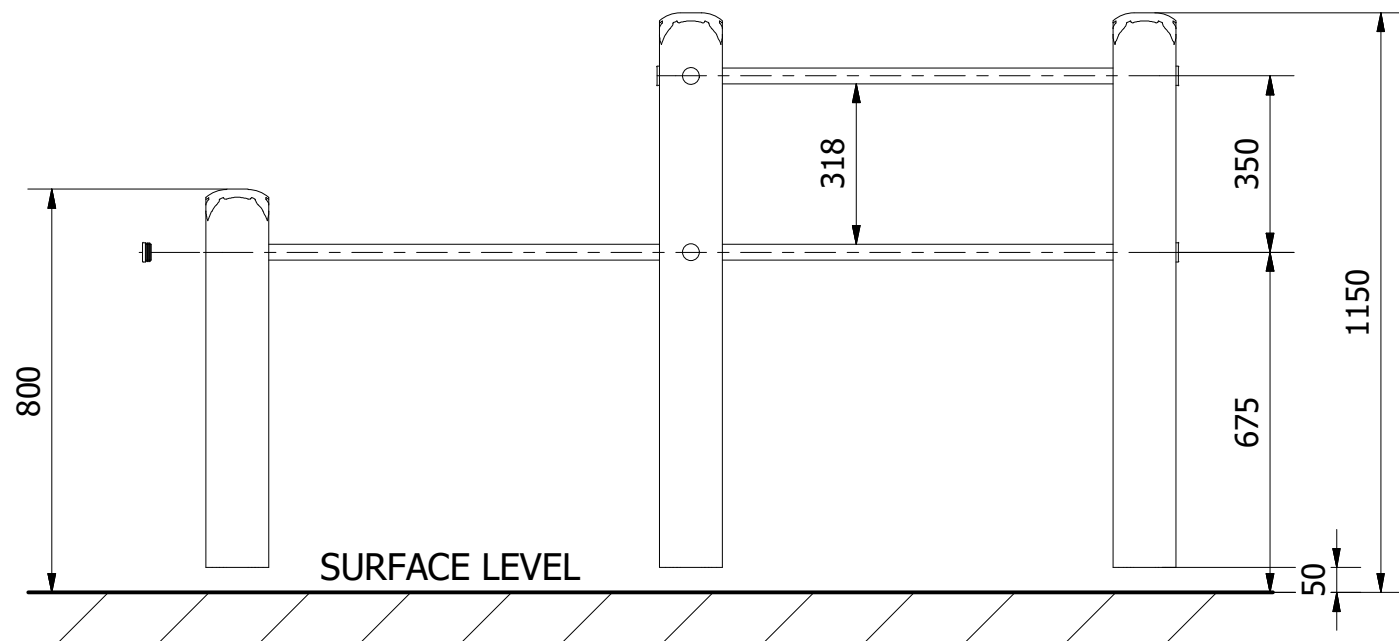
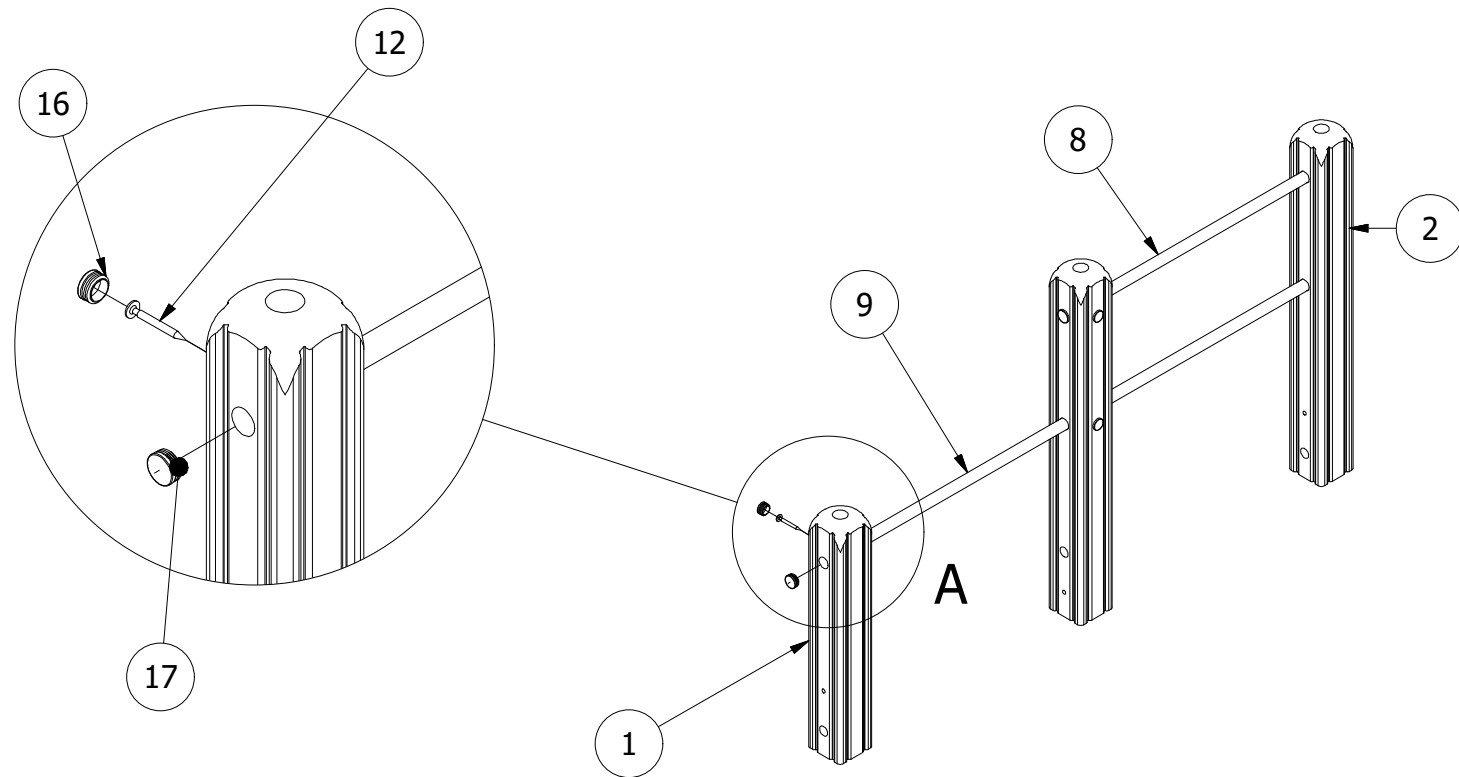
UNLESS OTHERWISE SPECIFIED:  
DIMENSIONS ARE IN MILLIMETERS  
TOLERANCES:  
LINEAR: ±2MM  
1 DECIMAL PLACE: ±0.5MM  
ANGULAR: ±1°

**PROPRIETARY AND CONFIDENTIAL**  
THE INFORMATION CONTAINED IN THIS  
DRAWING IS THE SOLE PROPERTY OF  
FENLAND LEISURE PRODUCTS. ANY  
REPRODUCTION IN PART OR AS A WHOLE  
WITHOUT THE WRITTEN PERMISSION  
OF FENLAND  
LEISURE PRODUCTS IS PROHIBITED.

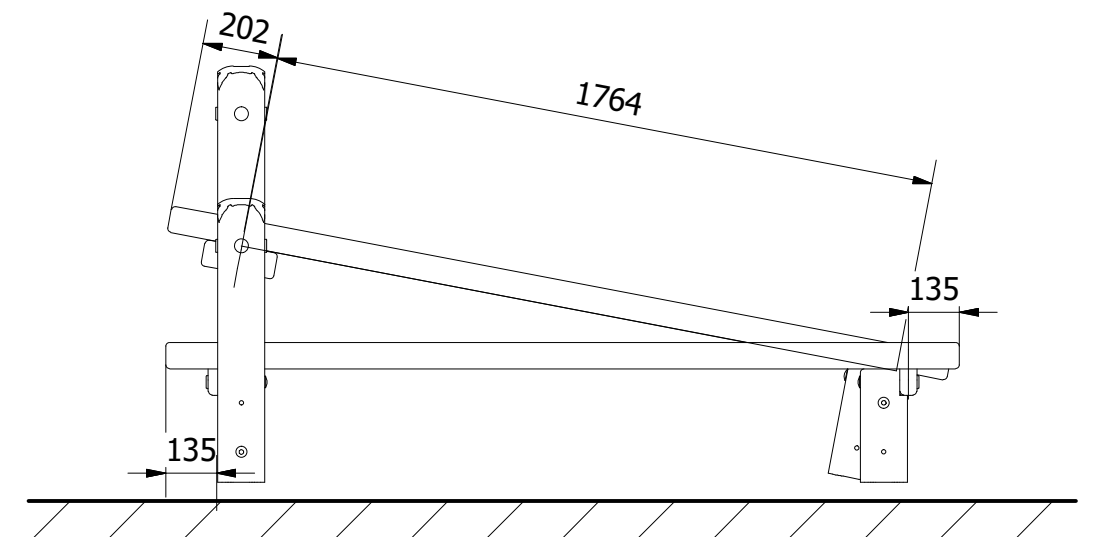
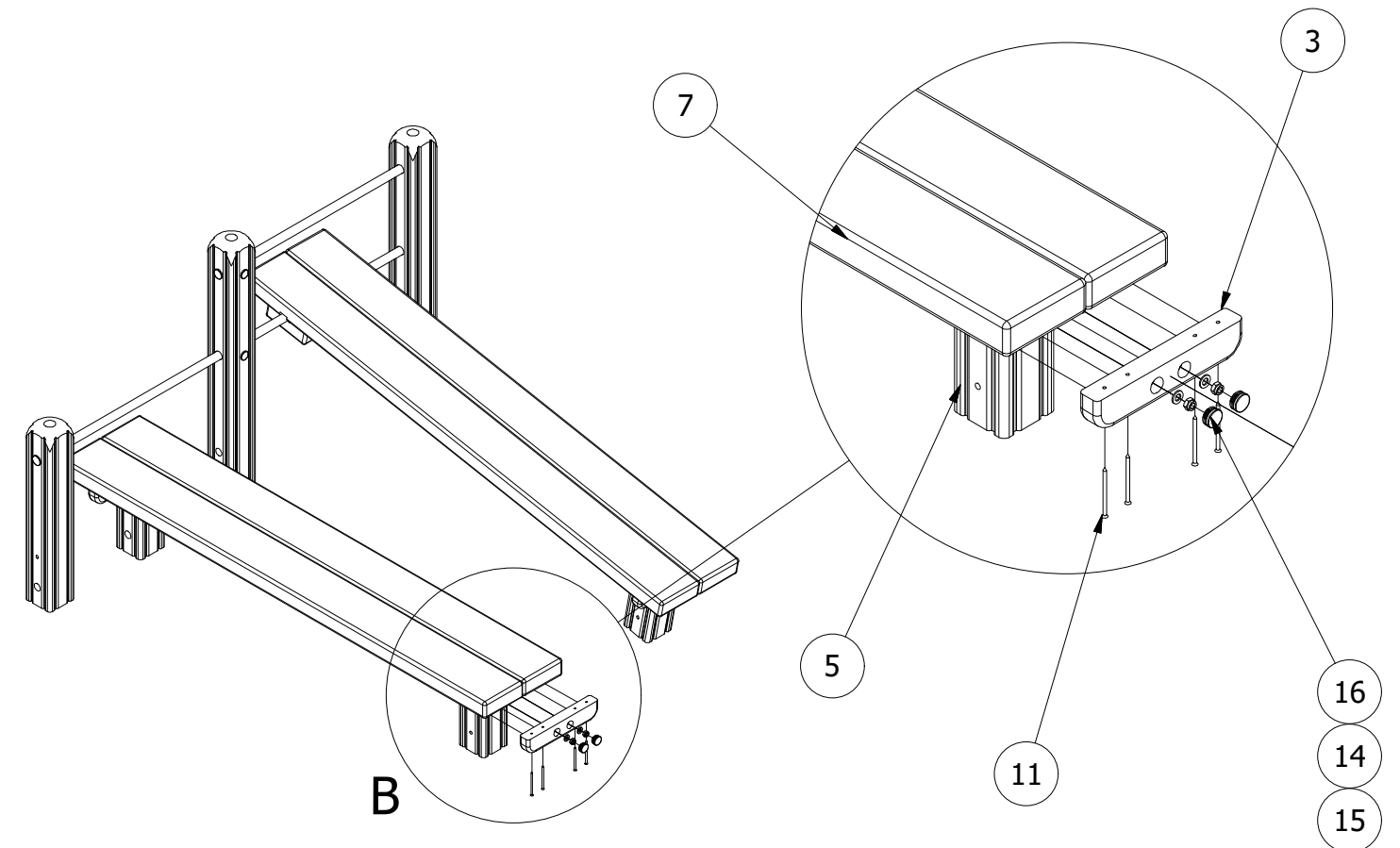


Title: PRO-500-051 ABS BENCH (FC14)_SF	
Product Range: FITNESS TRAIL	
Date: 01/05/2019	DO NOT SCALE FROM DRAWING
Page: 3	
A3	
Tel: 01354 638359 www.onlineplaygrounds.co.uk	

1. POSITION EACH UPRIGHT POST, AS ILLUSTRATED BELOW, INTO ITS CORRESPONDING FOUNDATION HOLE. PUSH THE BARS THROUGH THE BORED HOLES CREATING THE MAIN FRAME AND BRACE.



2. POSITION THE TWO PLATFORM TIMBERS (ITEM 7) ONTO THE FLOOR AND SECURE THE BRACE (ITEM 3) TO THE UNDERSIDE AS SHOWN BELOW. POSITION THE TWO SUPPORT POSTS (ITEM 5) INTO THE FOUNDATION HOLES AND SECURE THE FLAT BENCH ASSEMBLY TO THE POSTS USING THE SUPPLIED COACH BOLTS.



UNLESS OTHERWISE SPECIFIED:  
DIMENSIONS ARE IN MILLIMETERS  
TOLERANCES:  
LINEAR: ±2MM  
1 DECIMAL PLACE: ±0.5MM  
ANGULAR: ±1°

**PROPRIETARY AND CONFIDENTIAL**  
THE INFORMATION CONTAINED IN THIS DRAWING IS THE SOLE PROPERTY OF FENLAND LEISURE PRODUCTS. ANY REPRODUCTION IN PART OR AS A WHOLE WITHOUT THE WRITTEN PERMISSION OF FENLAND LEISURE PRODUCTS IS PROHIBITED.

Title: PRO-500-051 ABS BENCH (FC14)\_SF

Product Range: ~~FITNESS TRAIL~~

Date: 01/05/2019

Page: 4

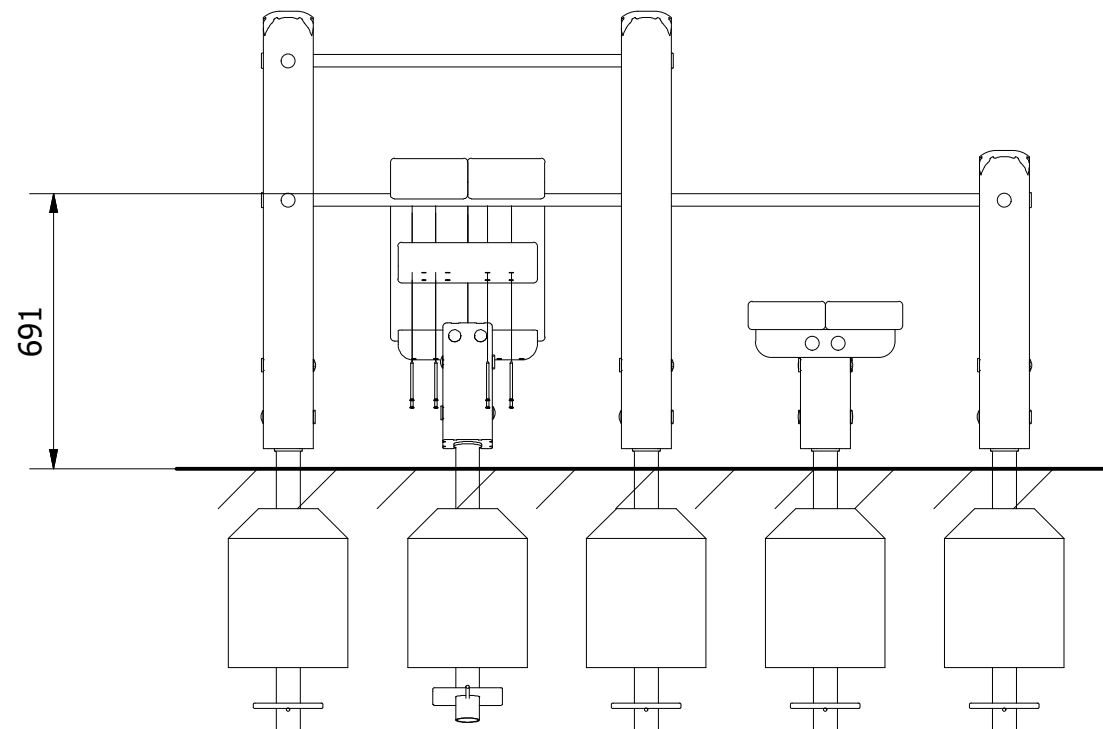
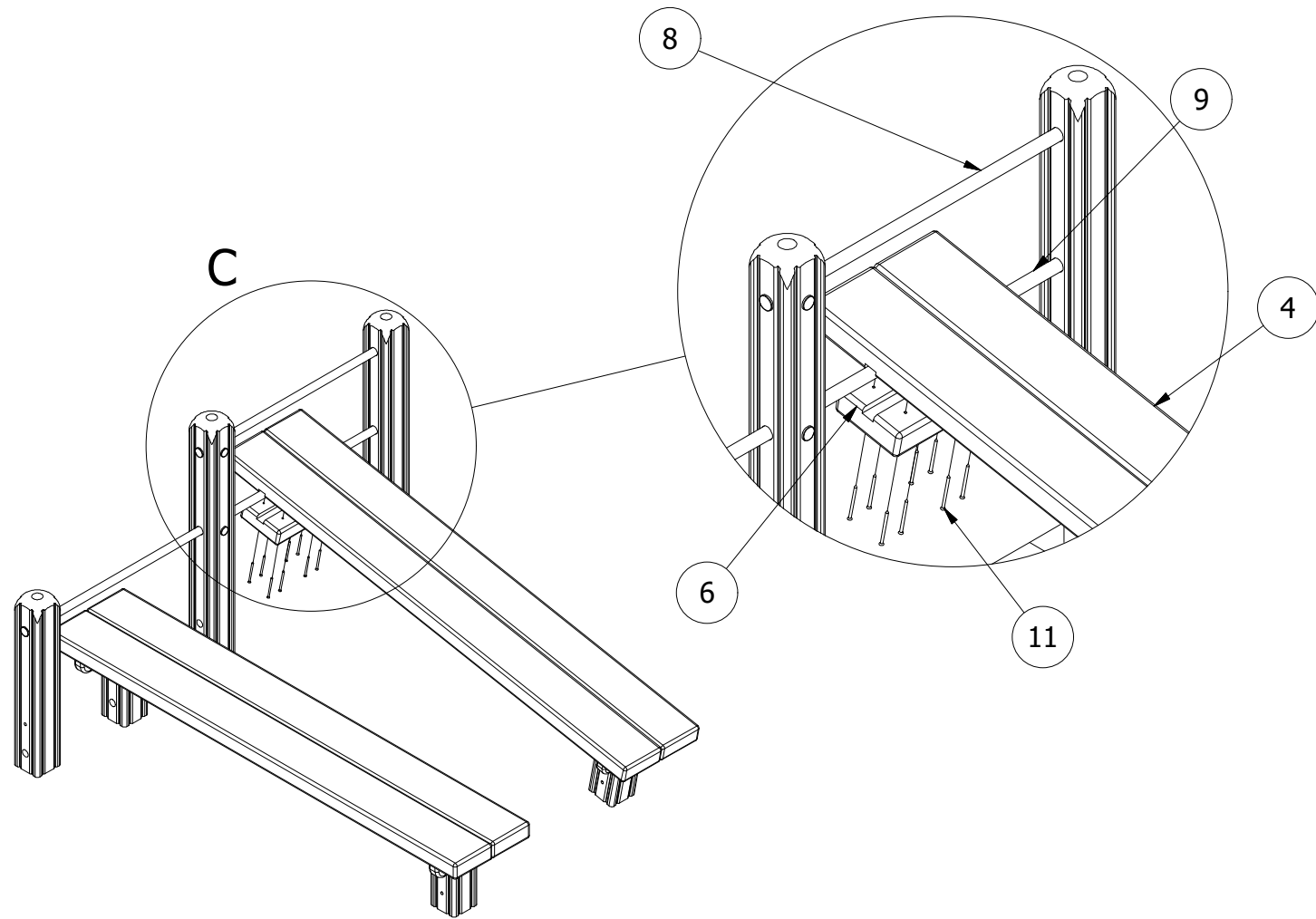
A3



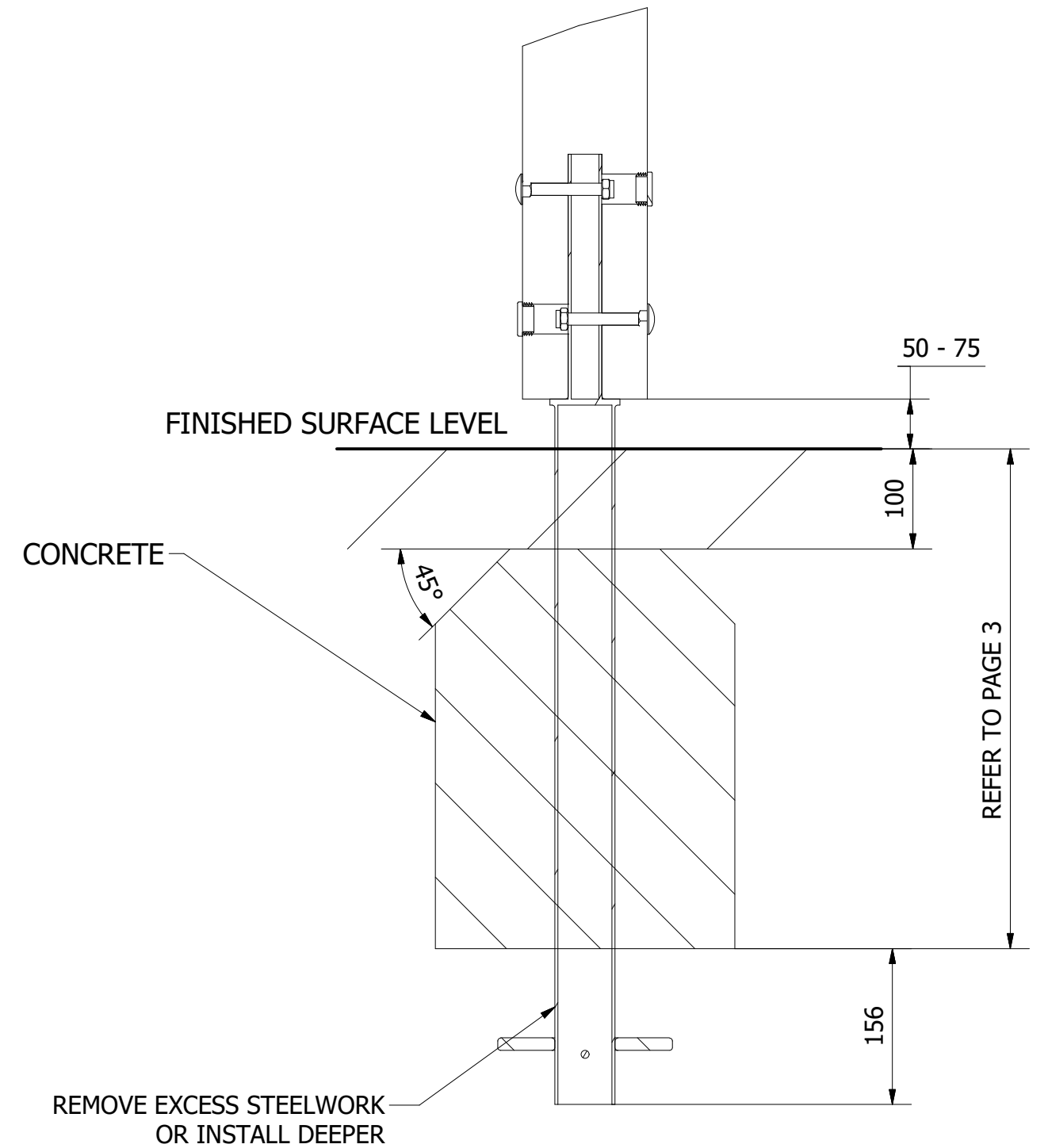
DO NOT SCALE FROM DRAWING

Tel: 01354 638359 www.onlineplaygrounds.co.uk

3. PLACE THE TIMBER PLATFORM (ITEM 4) ONTO THE LOWER BAR (ITEM 9). POSITION TIMBER (ITEM 6) UNDERNEATH CLAMPING THE BAR TOGETHER AND SECURE IN PLACE AS ILLUSTRATED BELOW USING THE SUPPLIED SCREWS.



4. FINALLY, ENSURE UNIT IS LEVEL AND PLUMB, ALL FIXINGS HAVE BEEN TIGHTENED AND PROTECTIVE CAPS IN PLACE. ADD CONCRETE TO EACH FOUNDATION HOLE AND LEAVE FOR 48 HOURS



UNLESS OTHERWISE SPECIFIED:  
DIMENSIONS ARE IN MILLIMETERS  
TOLERANCES:  
LINEAR: ±2MM  
1 DECIMAL PLACE: ±0.5MM  
ANGULAR: ±1°

PROPRIETARY AND CONFIDENTIAL

THE INFORMATION CONTAINED IN THIS DRAWING IS THE SOLE PROPERTY OF FENLAND LEISURE PRODUCTS. ANY REPRODUCTION IN PART OR AS A WHOLE WITHOUT THE WRITTEN PERMISSION OF FENLAND LEISURE PRODUCTS IS PROHIBITED.

Title: PRO-500-051 ABS BENCH (FC14)\_SF

Product Range: FITNESS TRAIL

Date:  
01/05/2019

Page: 5

A3



DO NOT SCALE FROM DRAWING

Tel: 01354 638359 www.onlineplaygrounds.co.uk