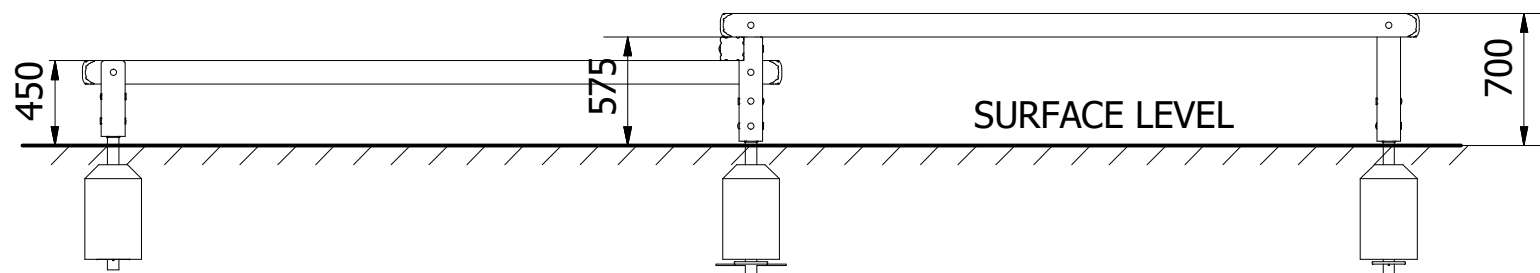
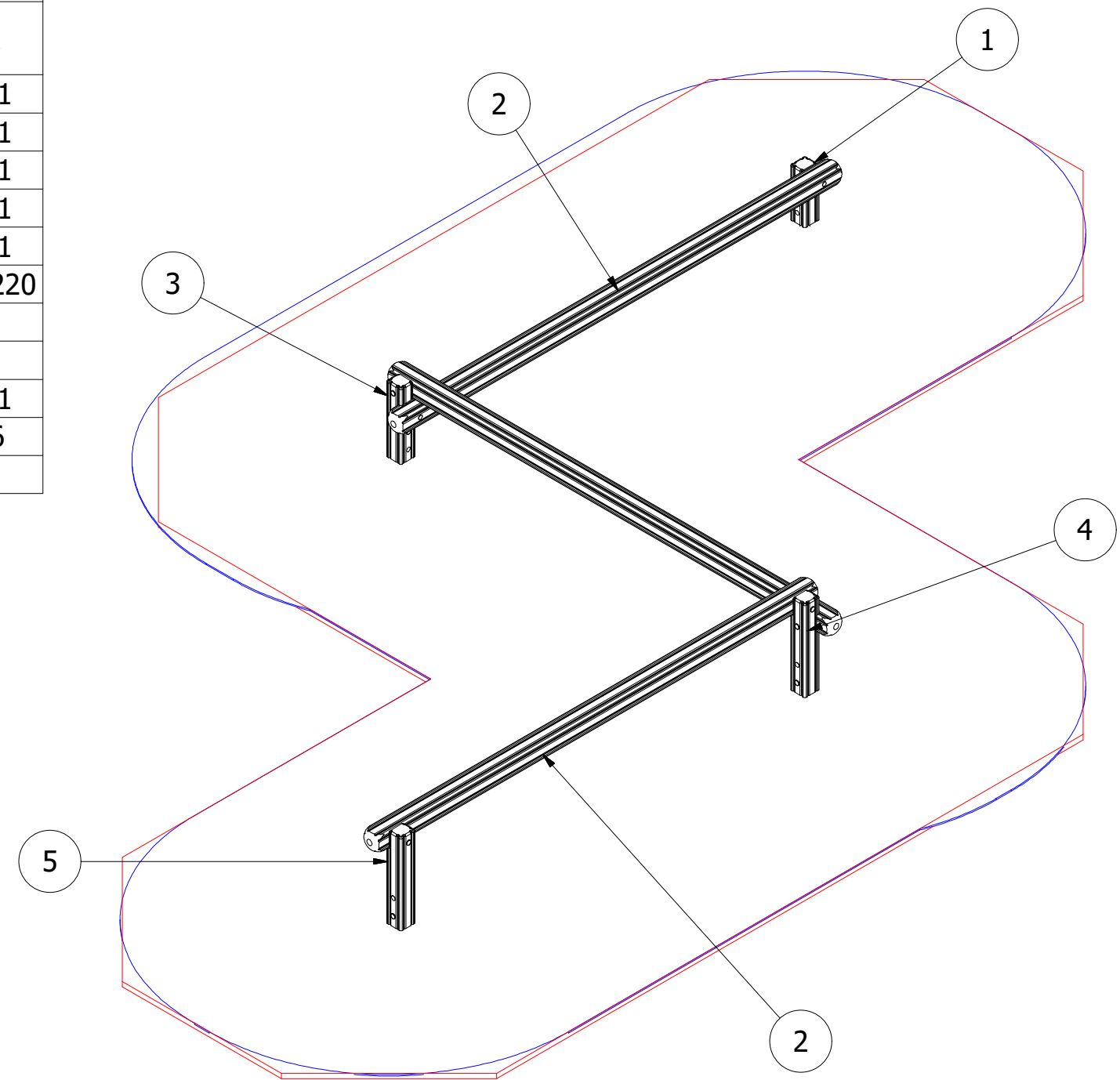



PARTS LIST

ITEM	QTY	PART NUMBER	DESCRIPTION	STOCK NUMBER
1	1	TB-200-335_B	400MM X 125MM (POST INSERT)	COMTIMSAF0001
2	3	TB-200-336	3700mm x 125mm SAFALOG	COMTIMSAF0001
3	1	TB-200-337_B	550MM X 125MM (POST INSERT)	COMTIMSAF0001
4	1	TB-200-338_B	675MM X 125MM (POST INSERT)	COMTIMSAF0001
5	1	TB-200-339_B	675MM X 125MM (POST INSERT)	COMTIMSAF0001
6	6	M12 X 220 COACH BOLT	M12 X 220 (DIN 603)	COMA2CBM12X220
7	6	M12 NYLOC NUT	M12 NYLOC NUT (DIN 985)	COMA2NNM12
8	6	M12 WASHER	M12 WASHER (DIN 125)	COMA2FWM12
9	6	30MM BOLT COVER	30MM BLACK CAP	COMPLACAP0001
10	4	MOD-600-121 GROUND FOOT (125)	GROUND FOOT (125)	SUBSTEMIS0006
11	4	300 x 300 x 500	0.045M <sup>3</sup> CONCRETE FOUNDATION	

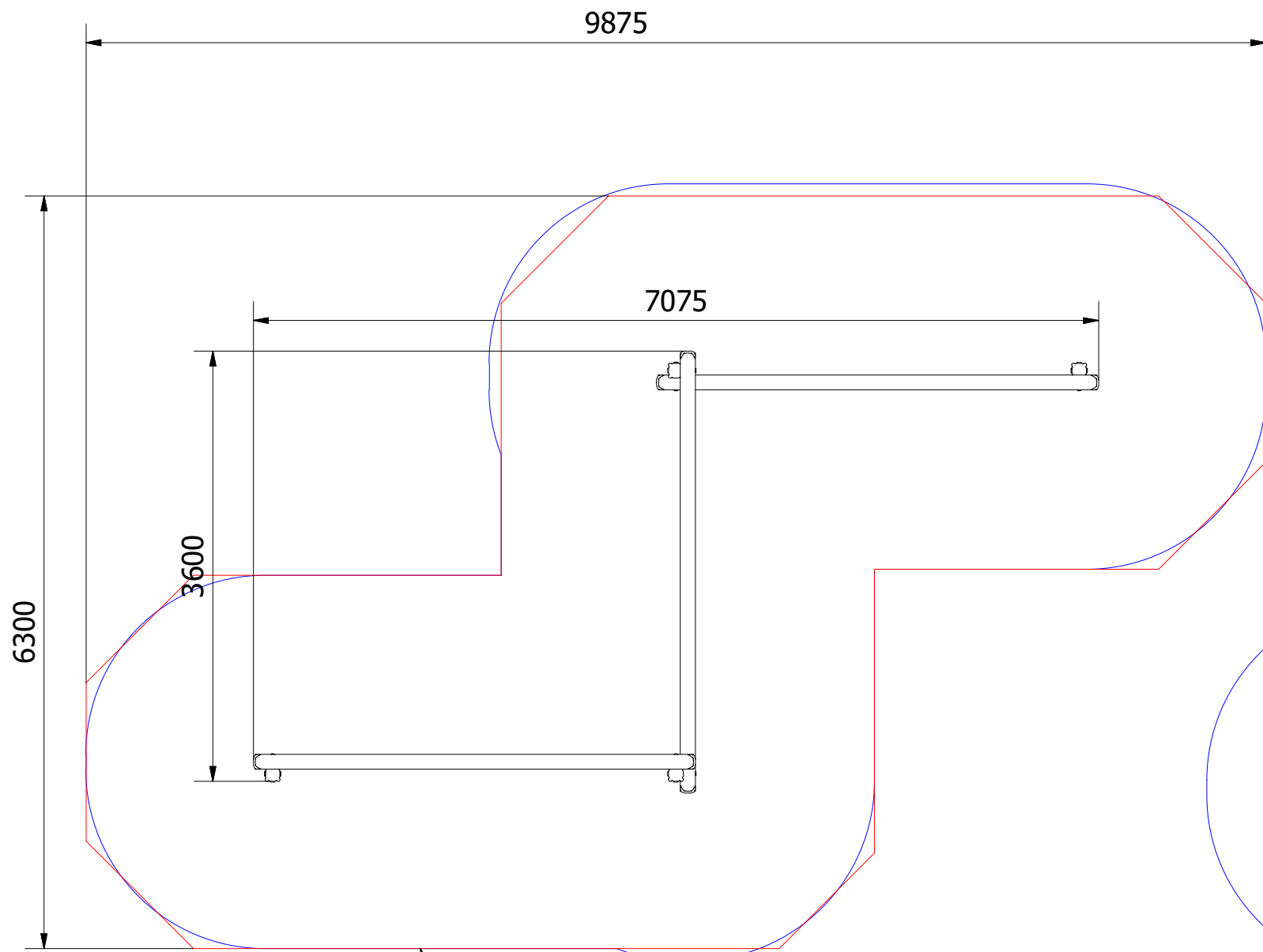
INDICATOR SIGN

ITEM	QTY	PART NUMBER	DESCRIPTION
1	1	TB-200-399_B	1100 x 112mm (FC281650P)
2	1	PE-400-035	INDICATOR SIGN
3	1	MOD-600-116 GROUND FOOT	GROUND FOOT (112)
4	4	M3 X 25 POZI PAN SCREW	25MM POZI PAN SCREW
5	1	300 x 300 x 400	0.036M <sup>3</sup> CONCRETE FOUNDATION

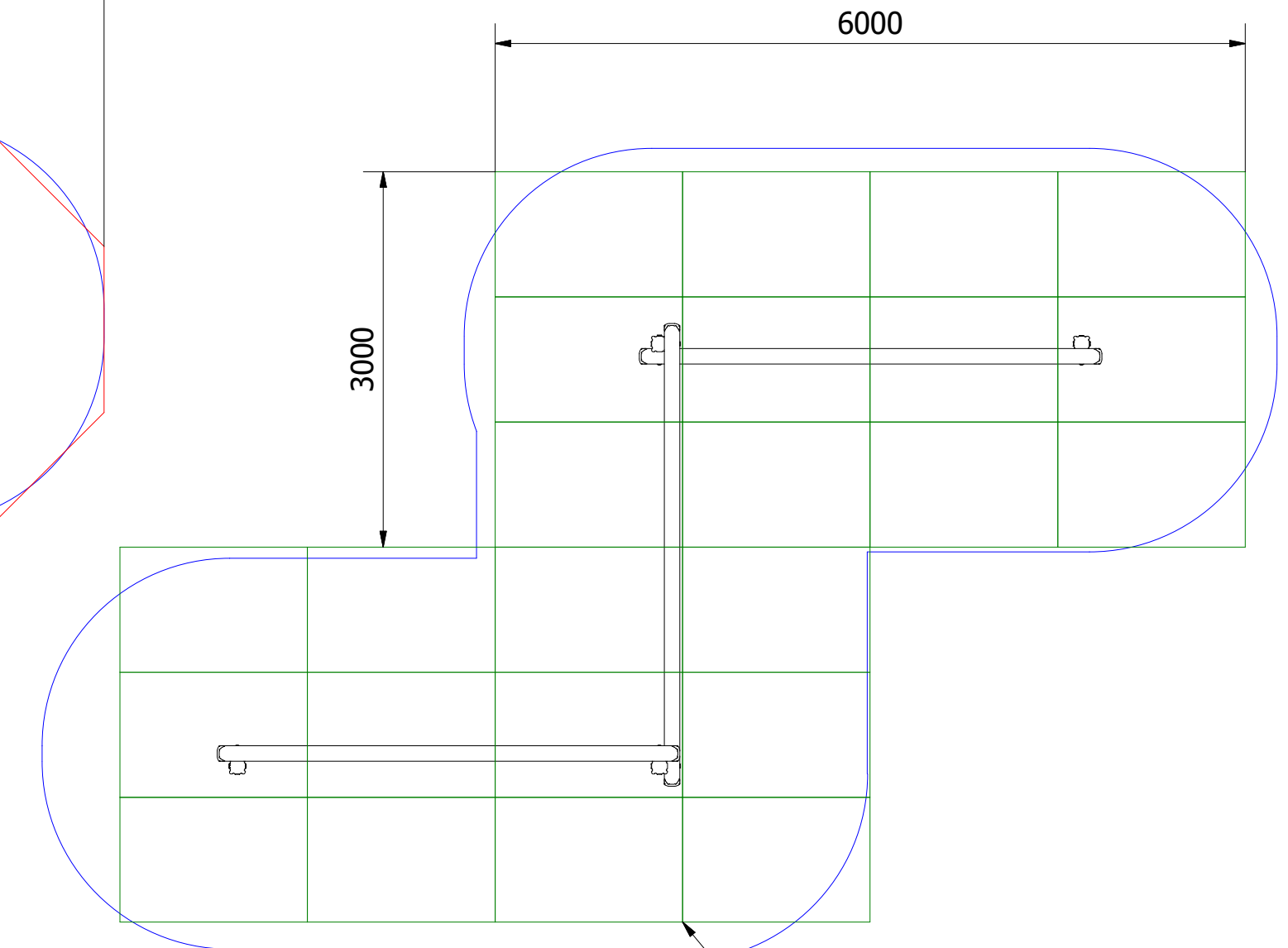


UNLESS OTHERWISE SPECIFIED: DIMENSIONS ARE IN MILLIMETERS TOLERANCES: LINEAR: ±2MM 1 DECIMAL PLACE: ±0.5MM ANGULAR: ±1°	<b>PROPRIETARY AND CONFIDENTIAL</b> THE INFORMATION CONTAINED IN THIS DRAWING IS THE SOLE PROPERTY OF FENLAND LEISURE PRODUCTS. ANY REPRODUCTION IN PART OR AS A WHOLE WITHOUT THE WRITTEN PERMISSION OF FENLAND LEISURE PRODUCTS IS PROHIBITED.	Title: <b>PRO-500-050 BALANCE BEAMS (FC16)_SF</b>	
		Product Range: <b>FITNESS TRAIL</b>	
		0.7M FFH	Date: 20/08/2019
		DO NOT SCALE FROM DRAWING	
		Tel: 01354 638359 www.onlineplaygrounds.co.uk	

NOTES:  
 STEELWORK: EXPORT - ALUMINIUM  
 U.K - STAINLESS STEEL  
 INDICATOR SIGN: EXPORT - COMSIGSIG0042  
 U.K - COMSIGSIG0032



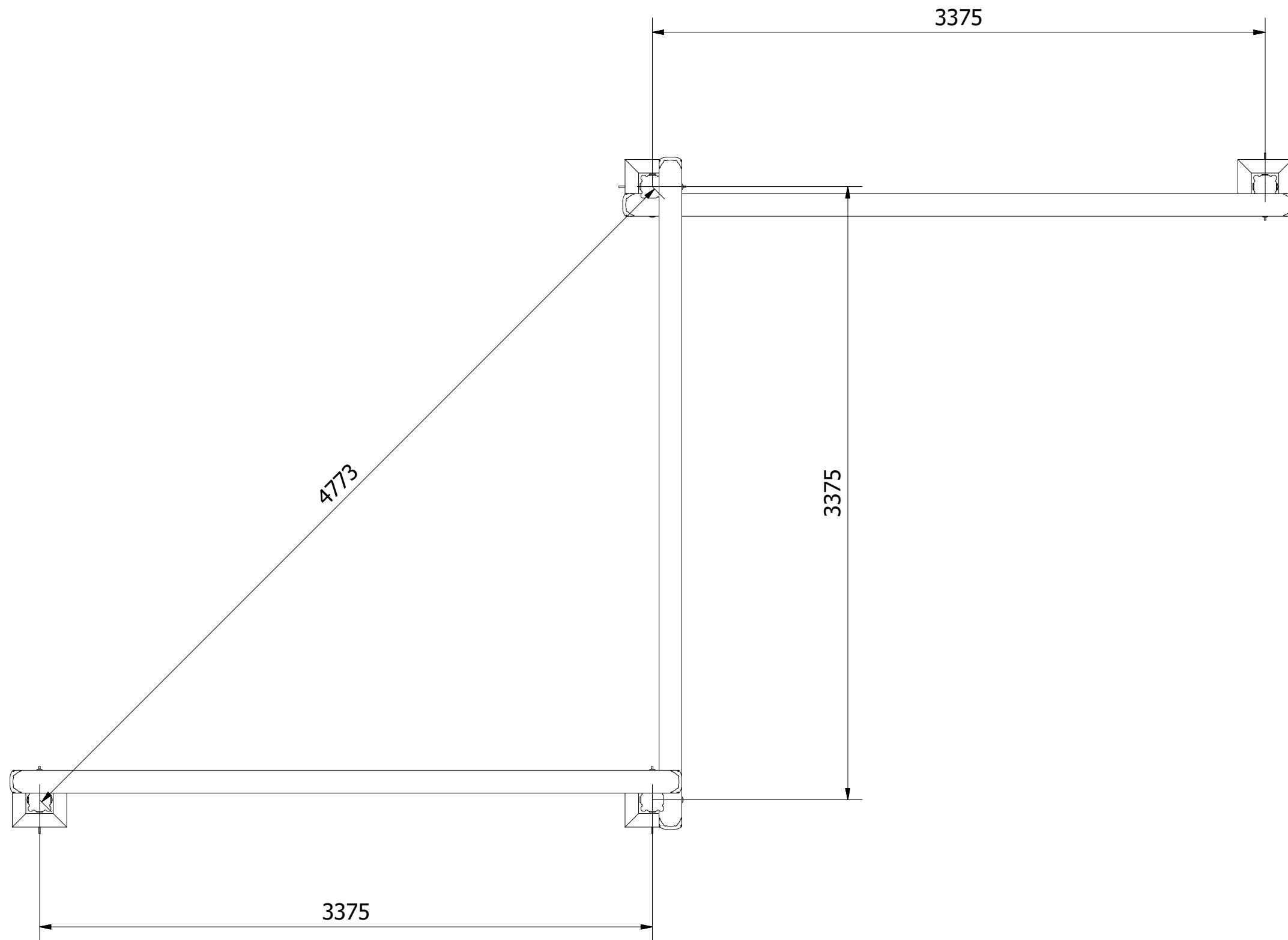
WETPOUR AREA = 38.5M<sup>2</sup>  
 PERIMETER = 29.3 L/M



24 SAFAGRASS TILES (1.5 X 1.0M)

MIN SPACE

UNLESS OTHERWISE SPECIFIED: DIMENSIONS ARE IN MILLIMETERS TOLERANCES: LINEAR: ±2MM 1 DECIMAL PLACE: ±0.5MM ANGULAR: ±1°	<b>PROPRIETARY AND CONFIDENTIAL</b> THE INFORMATION CONTAINED IN THIS DRAWING IS THE SOLE PROPERTY OF FENLAND LEISURE PRODUCTS. ANY REPRODUCTION IN PART OR AS A WHOLE WITHOUT THE WRITTEN PERMISSION OF FENLAND LEISURE PRODUCTS IS PROHIBITED.	Title: PRO-500-050 BALANCE BEAMS (FC16)_SF	
		Product Range: FITNESS TRAIL	
		Date: 20/08/2019	
		Page: 2	
		A3	
		DO NOT SCALE FROM DRAWING	
		Tel: 01354 638359 www.onlineplaygrounds.co.uk	



UNLESS OTHERWISE SPECIFIED:  
DIMENSIONS ARE IN MILLIMETERS  
TOLERANCES:  
LINEAR: ±2MM  
1 DECIMAL PLACE: ±0.5MM  
ANGULAR: ±1°

**PROPRIETARY AND CONFIDENTIAL**  
THE INFORMATION CONTAINED IN THIS  
DRAWING IS THE SOLE PROPERTY OF  
FENLAND LEISURE PRODUCTS. ANY  
REPRODUCTION IN PART OR AS A WHOLE  
WITHOUT THE WRITTEN PERMISSION  
OF FENLAND  
LEISURE PRODUCTS IS PROHIBITED.

Title: PRO-500-050 BALANCE BEAMS (FC16)\_SF

Product Range: FITNESS TRAIL

Date:  
20/08/2019

Page: 3

A3



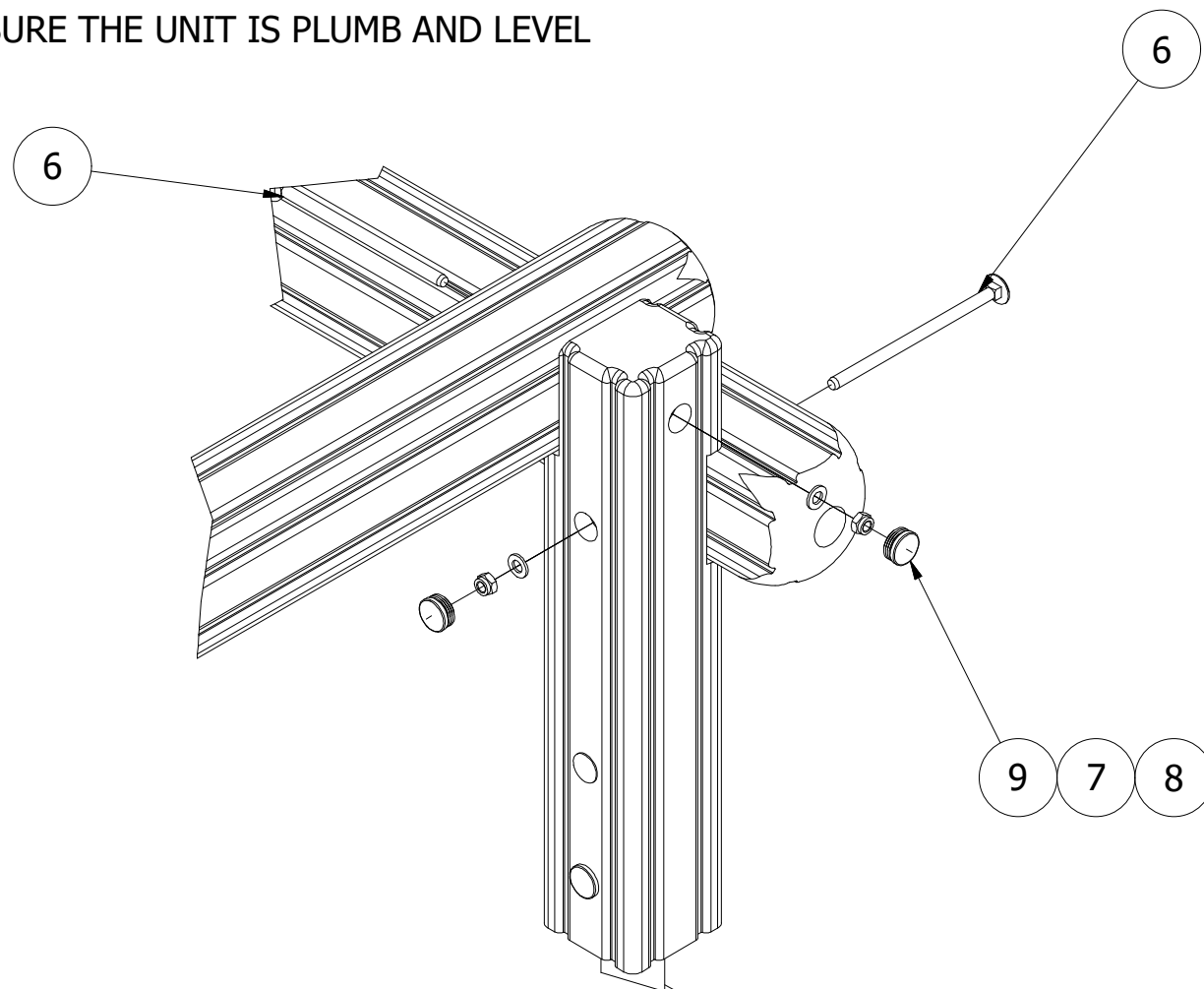
DO NOT SCALE FROM DRAWING

Tel: 01354 638359 www.onlineplaygrounds.co.uk

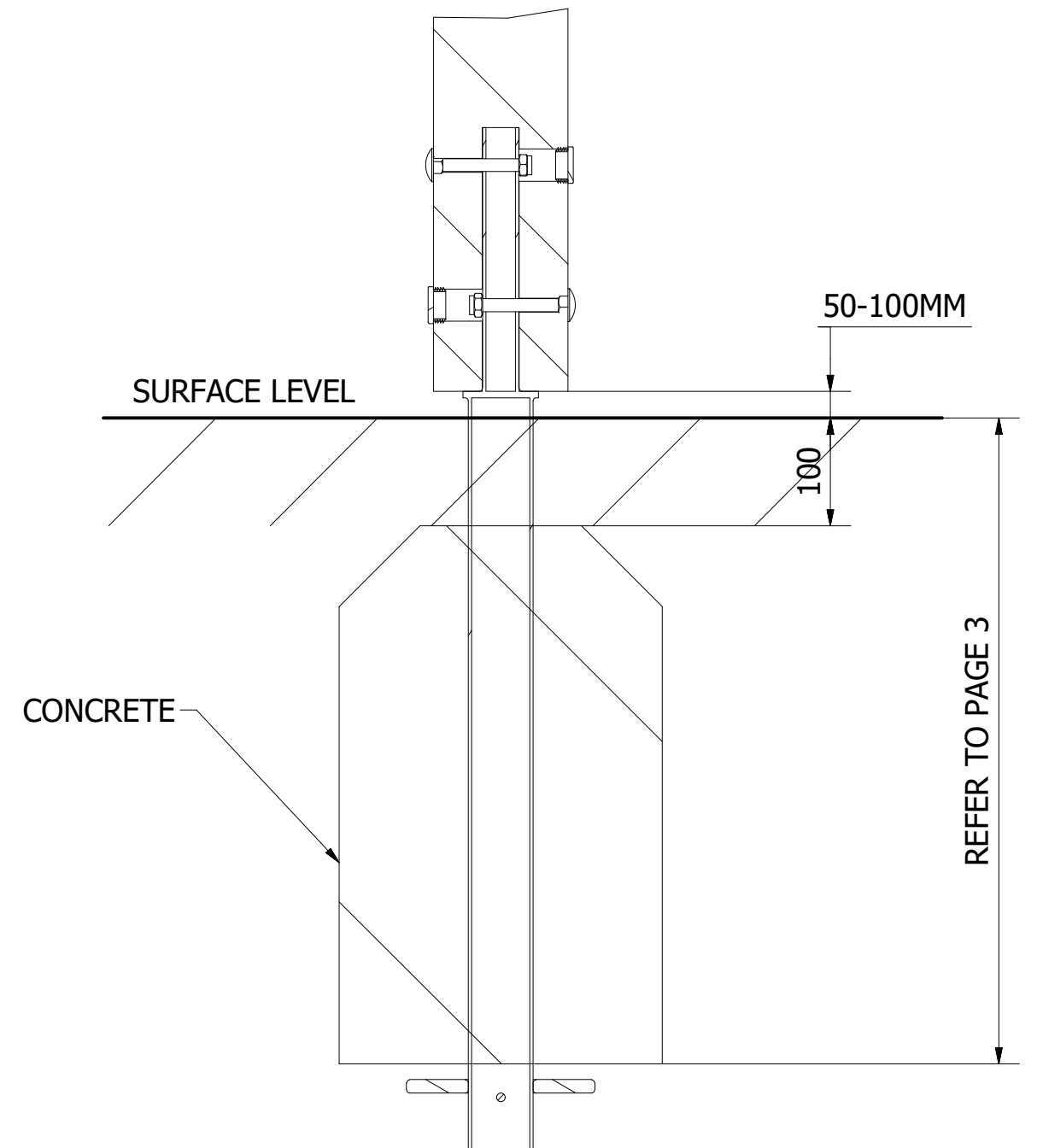
1. POSITION EACH UPRIGHT POST, AS ILLUSTRATED BELOW, INTO ITS CORRESPONDING FOUNDATION HOLE. ENSURE THE REBATED TIMBERS FLOW IN THE CORRECT DIRECTION.



2. WITH THE POSTS IN THE CORRECT FOUNDATION HOLES, SECURE EACH HORIZONTAL TIMBER USING THE SUPPLIED FIXINGS AS SHOWN BELOW. ENSURE THE UNIT IS PLUMB AND LEVEL



3. FINALLY, ENSURE UNIT IS LEVEL AND PLUMB, ALL FIXINGS HAVE BEEN TIGHTENED AND PROTECTIVE CAPS IN PLACE.



UNLESS OTHERWISE SPECIFIED:  
DIMENSIONS ARE IN MILLIMETERS  
TOLERANCES:  
LINEAR: ±2MM  
1 DECIMAL PLACE: ±0.5MM  
ANGULAR: ±1°

**PROPRIETARY AND CONFIDENTIAL**  
THE INFORMATION CONTAINED IN THIS DRAWING IS THE SOLE PROPERTY OF FENLAND LEISURE PRODUCTS. ANY REPRODUCTION IN PART OR AS A WHOLE WITHOUT THE WRITTEN PERMISSION OF FENLAND LEISURE PRODUCTS IS PROHIBITED.

Title: PRO-500-050 BALANCE BEAMS (FC16)\_SF

Product Range: FITNESS TRAIL

Date:  
20/08/2019

Page: 4

A3



DO NOT SCALE FROM DRAWING

Tel: 01354 638359 www.onlineplaygrounds.co.uk