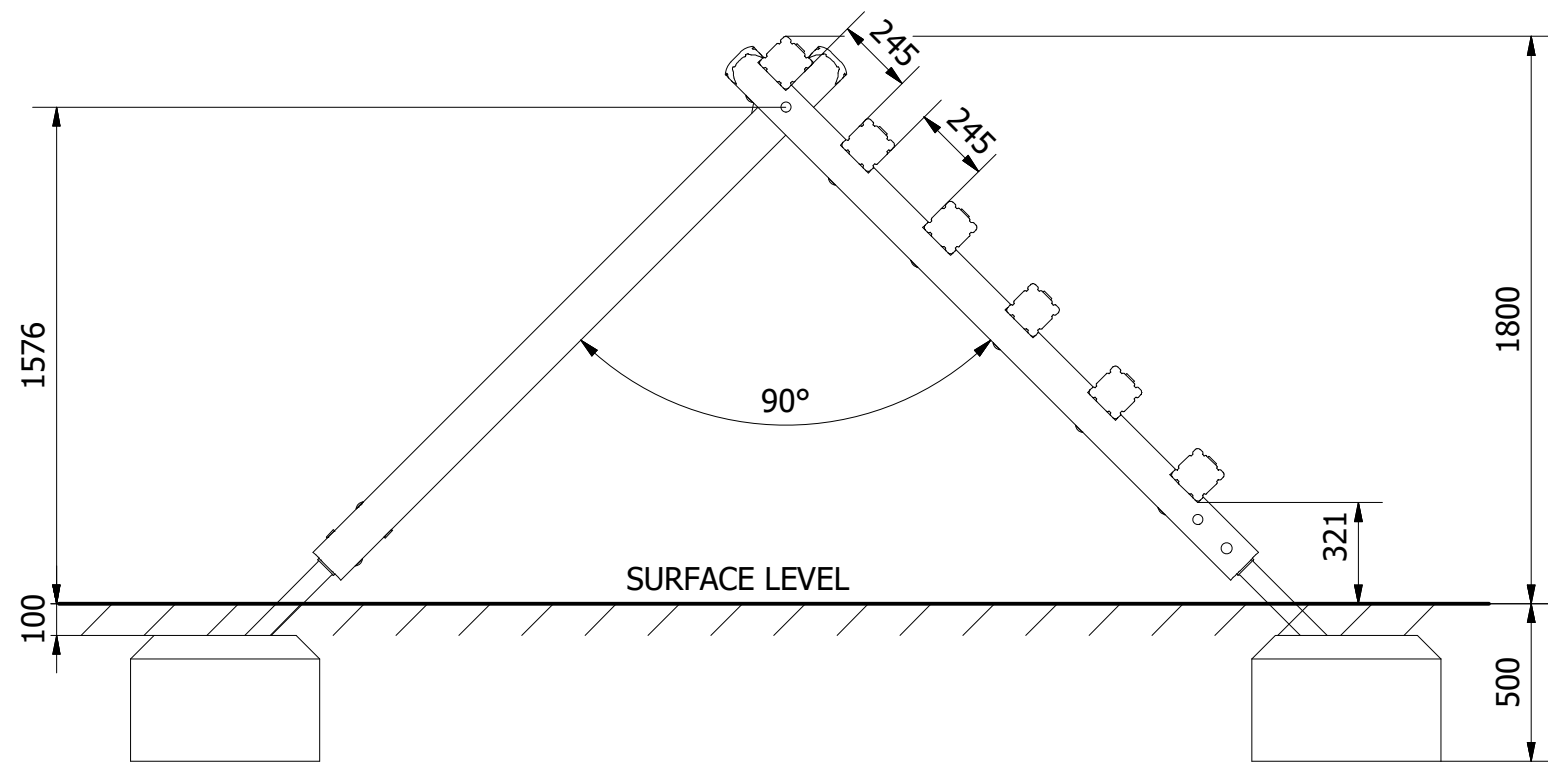
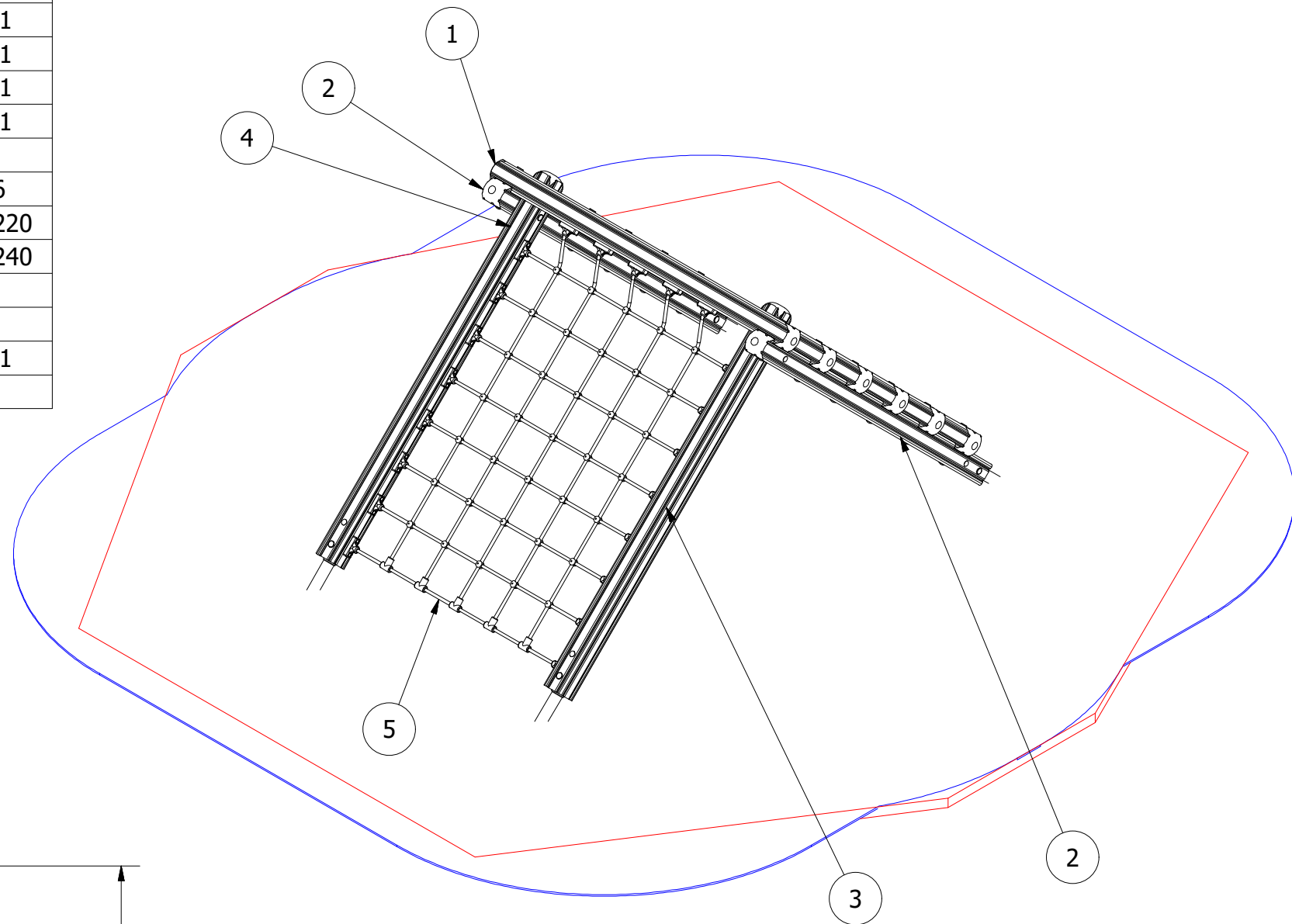


PARTS LIST

ITEM	QTY	PART NUMBER	DESCRIPTION	STOCK NUMBER
1	6	TB-200-348	2150mm x 125mm SAFALOG	COMTIMSAF0001
2	2	TB-200-349	2285MM X 125MM(POST INSERT)	COMTIMSAF0001
3	1	TB-200-350	2285MM X 125MM (POST INSERT)	COMTIMSAF0001
4	1	TB-200-351	2285MM X 125MM (POST INSERT)	COMTIMSAF0001
5	1	RS-100-038	SCRAMBLE NET (SUB)	
18	4	MOD-600-121 GROUND FOOT (125)	GROUND FOOT (125)	SUBSTEMIS0006
6	12	M12 X 220 COACH BOLT	M12 X 220 (DIN 603)	COMA2CBM12X220
7	2	M12 X 240 COACH BOLT	M12 x 240 (DIN 603)	COMA2CBM12X240
8	14	M12 WASHER	M12 WASHER (DIN 125)	COMA2FWM12
9	14	M12 NYLOC NUT	M12 NYLOC NUT (DIN 985)	COMA2NNM12
10	14	30MM BOLT COVER	30MM BLACK CAP	COMPLACAP0001
12	4	400 x 600 x 400	0.096M ³ CONCRETE FOUNDATION	

INDICATOR SIGN

ITEM	QTY	PART NUMBER	DESCRIPTION	STOCK NUMBER
1	1	TB-200-399_B	1100 x 112mm (FC281650P)	COMTIMSAF0002
2	1	PE-400-035	INDICATOR SIGN	COMSIGSIG0032
3	1	MOD-600-116 GROUND FOOT	GROUND FOOT (112)	SUBSTEMIS0004
4	4	M3 X 25 POZI PAN SCREW	25MM POZI PAN SCREW	COMHARSTA0009
5	1	300 x 300 x 400	0.036M ³ CONCRETE FOUNDATION	



NOTES:

STEELWORK: EXPORT - ALUMINIUM
 U.K - STAINLESS STEEL
 INDICATOR SIGN: EXPORT - COMSIGSIG0042
 U.K - COMSIGSIG0032

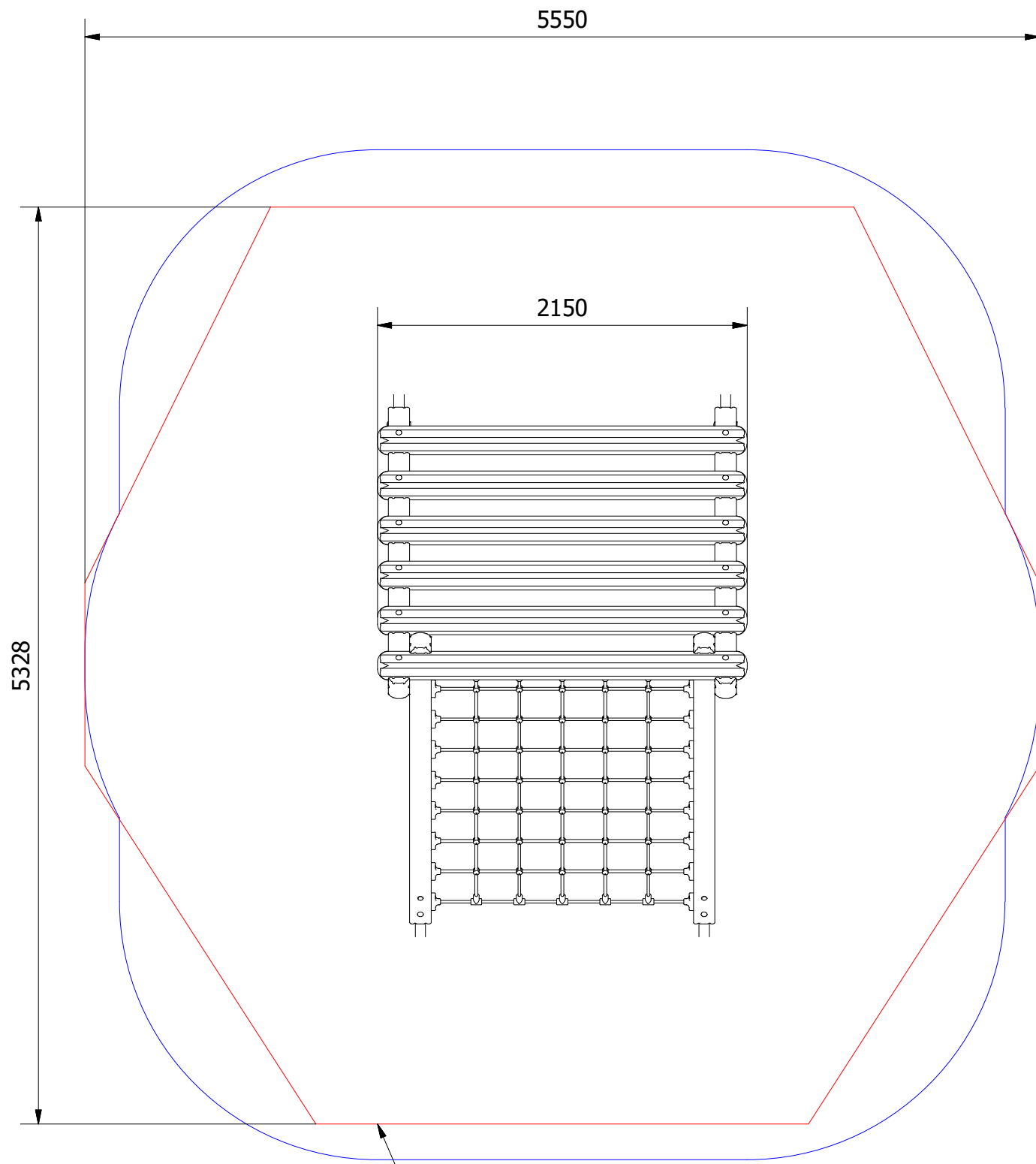
UNLESS OTHERWISE SPECIFIED:
 DIMENSIONS ARE IN MILLIMETERS
 TOLERANCES:
 LINEAR: ±2MM
 1 DECIMAL PLACE: ±0.5MM
 ANGULAR: ±1°

PROPRIETARY AND CONFIDENTIAL

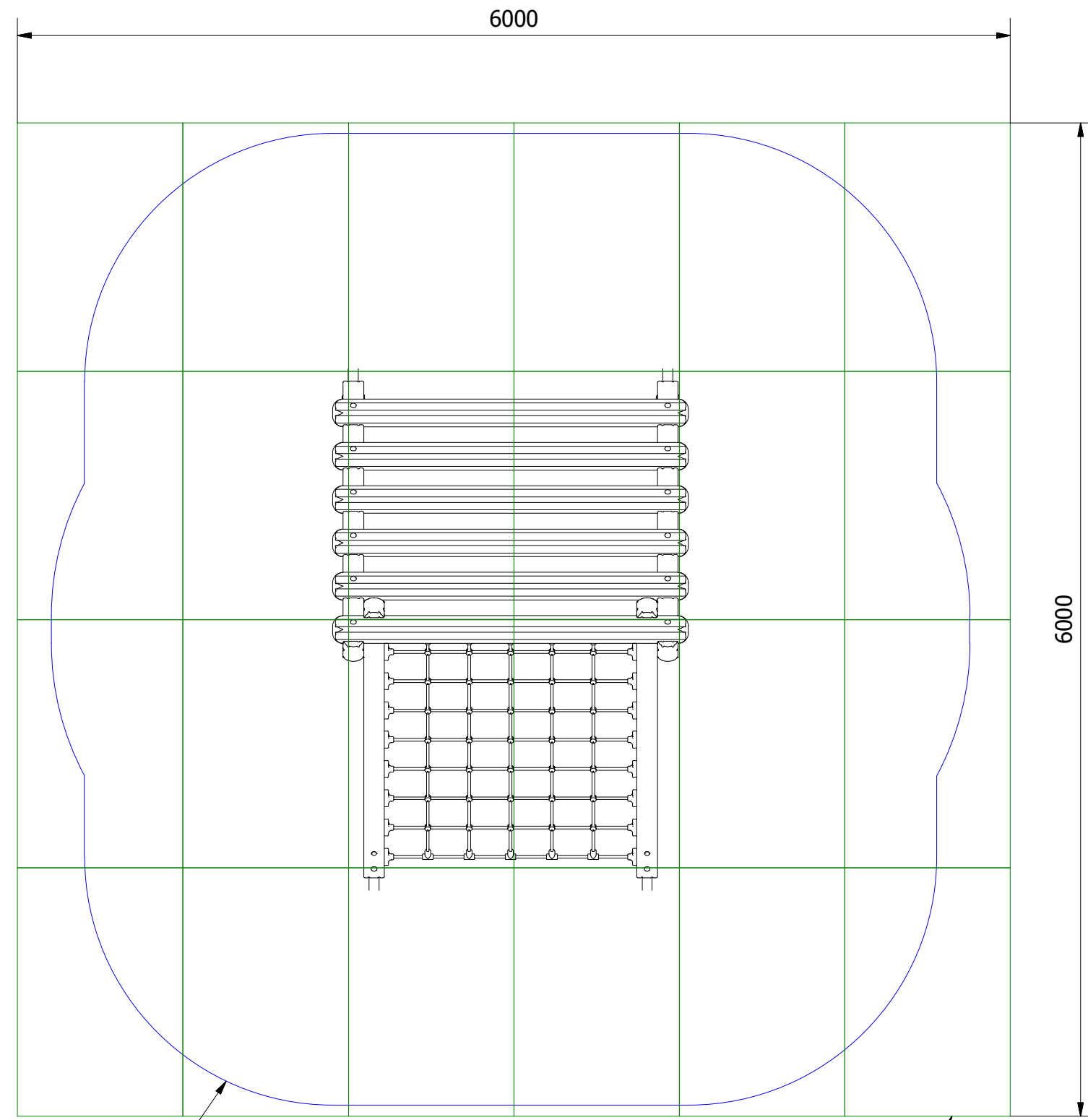
THE INFORMATION CONTAINED IN THIS DRAWING IS THE SOLE PROPERTY OF FENLAND LEISURE PRODUCTS. ANY REPRODUCTION IN PART OR AS A WHOLE WITHOUT THE WRITTEN PERMISSION OF FENLAND LEISURE PRODUCTS IS PROHIBITED.

Title:	PRO-500-052 LADDER NET CLIMB	
Product Range:	FITNESS TRAIL	
1.8M FFH	Date:	30/04/2019
	Page:	A3
DO NOT SCALE FROM DRAWING		
Tel: 01354 638359 www.onlineplaygrounds.co.uk		





WETPOUR AREA = 24.5M²
PERIMETER = 18.3 L/M



MIN SPACE

24 SAFAGRASS TILES (1.5 X 1.0M)

UNLESS OTHERWISE SPECIFIED:
 DIMENSIONS ARE IN MILLIMETERS
 TOLERANCES:
 LINEAR: ±2MM
 1 DECIMAL PLACE: ±0.5MM
 ANGULAR: ±1°

PROPRIETARY AND CONFIDENTIAL
 THE INFORMATION CONTAINED IN THIS
 DRAWING IS THE SOLE PROPERTY OF
 FENLAND LEISURE PRODUCTS. ANY
 REPRODUCTION IN PART OR AS A WHOLE
 WITHOUT THE WRITTEN PERMISSION
 OF FENLAND
 LEISURE PRODUCTS IS PROHIBITED.

Title: **PRO-500-052 LADDER NET CLIMB**

Product Range: **FITNESS TRAIL**

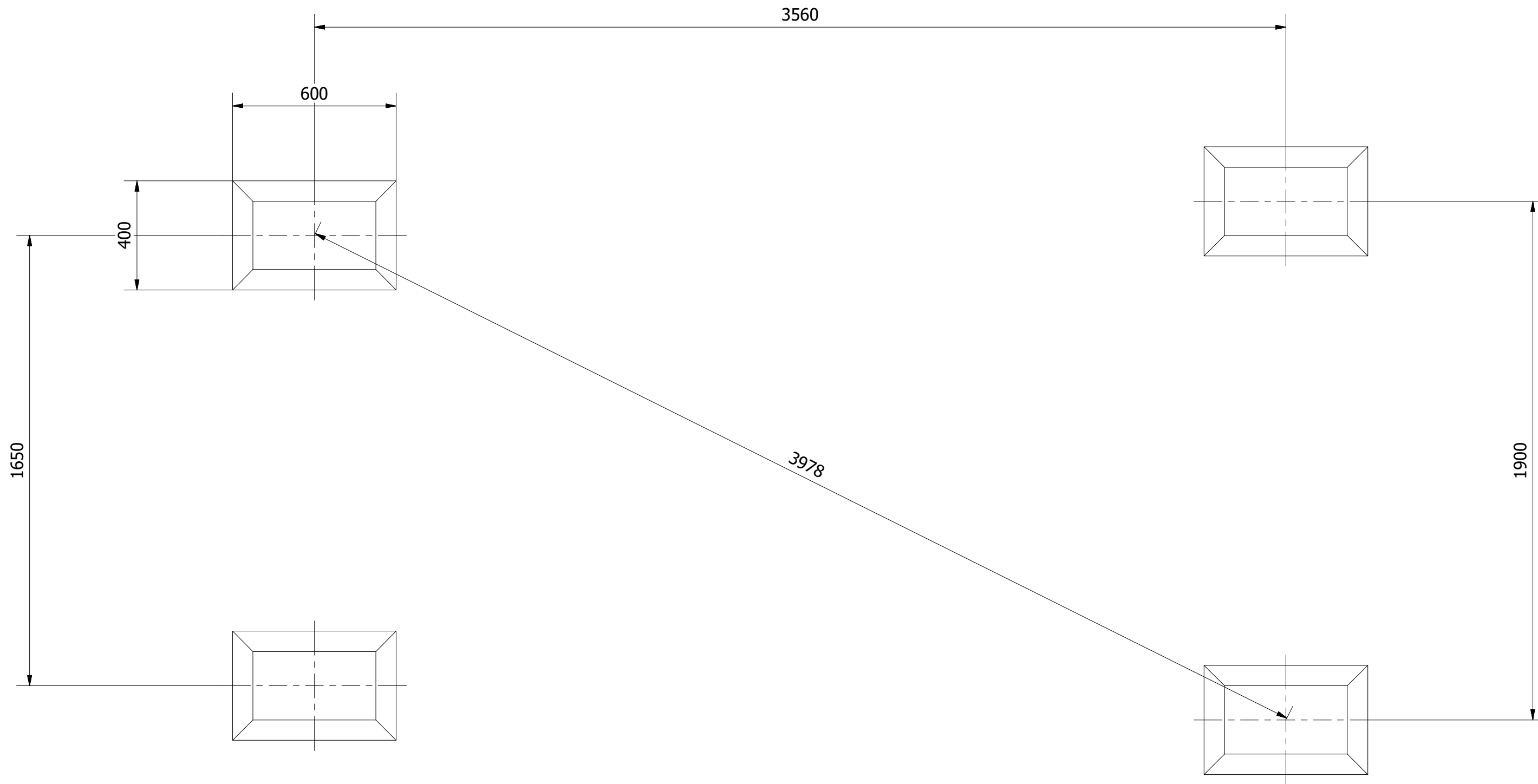
Date:
30/04/2019

Page:
A3



DO NOT SCALE FROM DRAWING

Tel: 01354 638359 www.onlineplaygrounds.co.uk



ALL FOUNDATIONS 400 X 600 X 500 DEEP UNLESS OTHERWISE SPECIFIED

UNLESS OTHERWISE SPECIFIED:
DIMENSIONS ARE IN MILLIMETERS
TOLERANCES:
LINEAR: ±2MM
1 DECIMAL PLACE: ±0.5MM
ANGULAR: ±1°

PROPRIETARY AND CONFIDENTIAL
THE INFORMATION CONTAINED IN THIS
DRAWING IS THE SOLE PROPERTY OF
FENLAND LEISURE PRODUCTS. ANY
REPRODUCTION IN PART OR AS A WHOLE
WITHOUT THE WRITTEN PERMISSION
OF FENLAND
LEISURE PRODUCTS IS PROHIBITED.

Title: PRO-500-052 LADDER NET CLIMB

Product Range: FITNESS TRAIL

Date: 30/04/2019

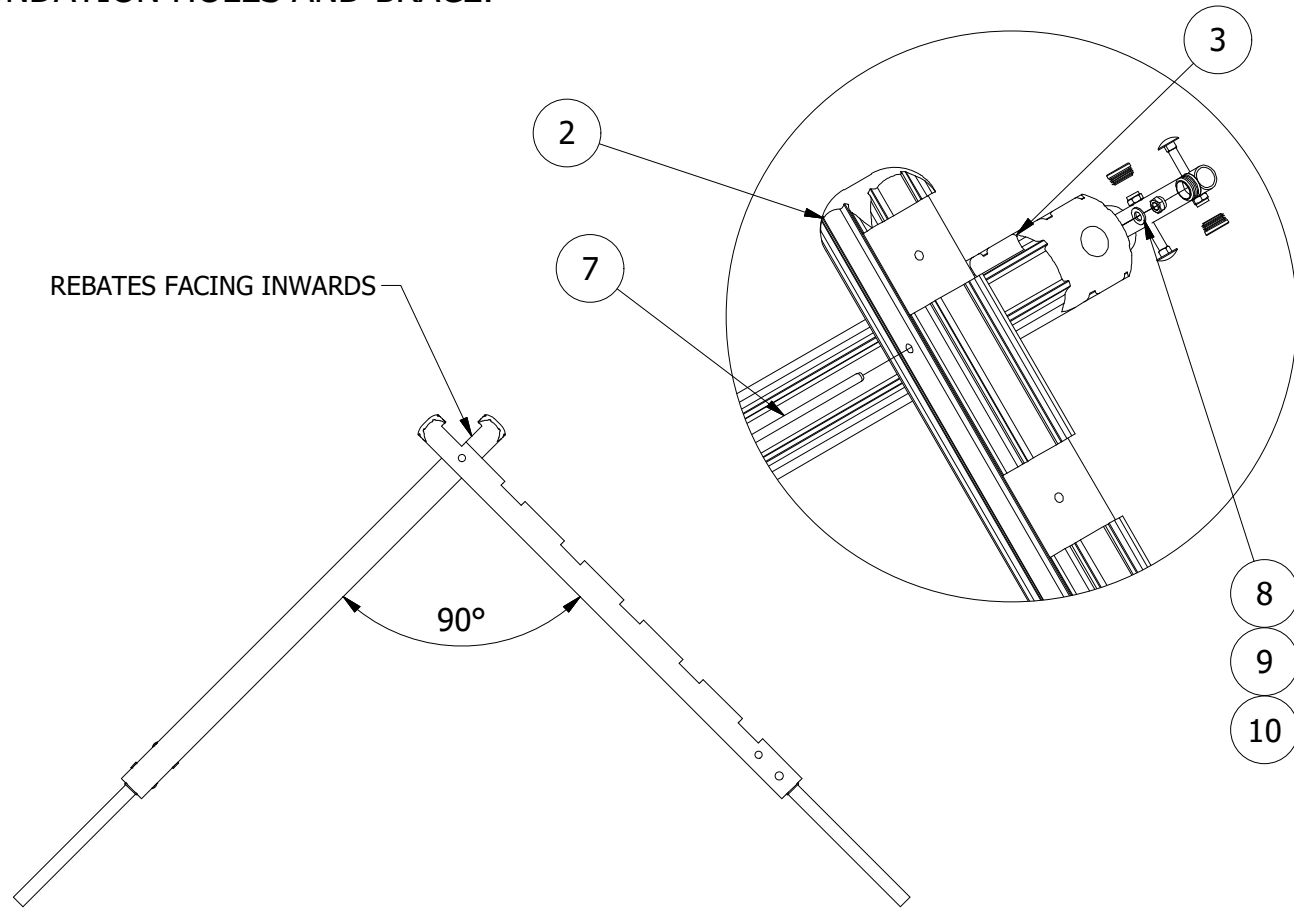
Page: A3



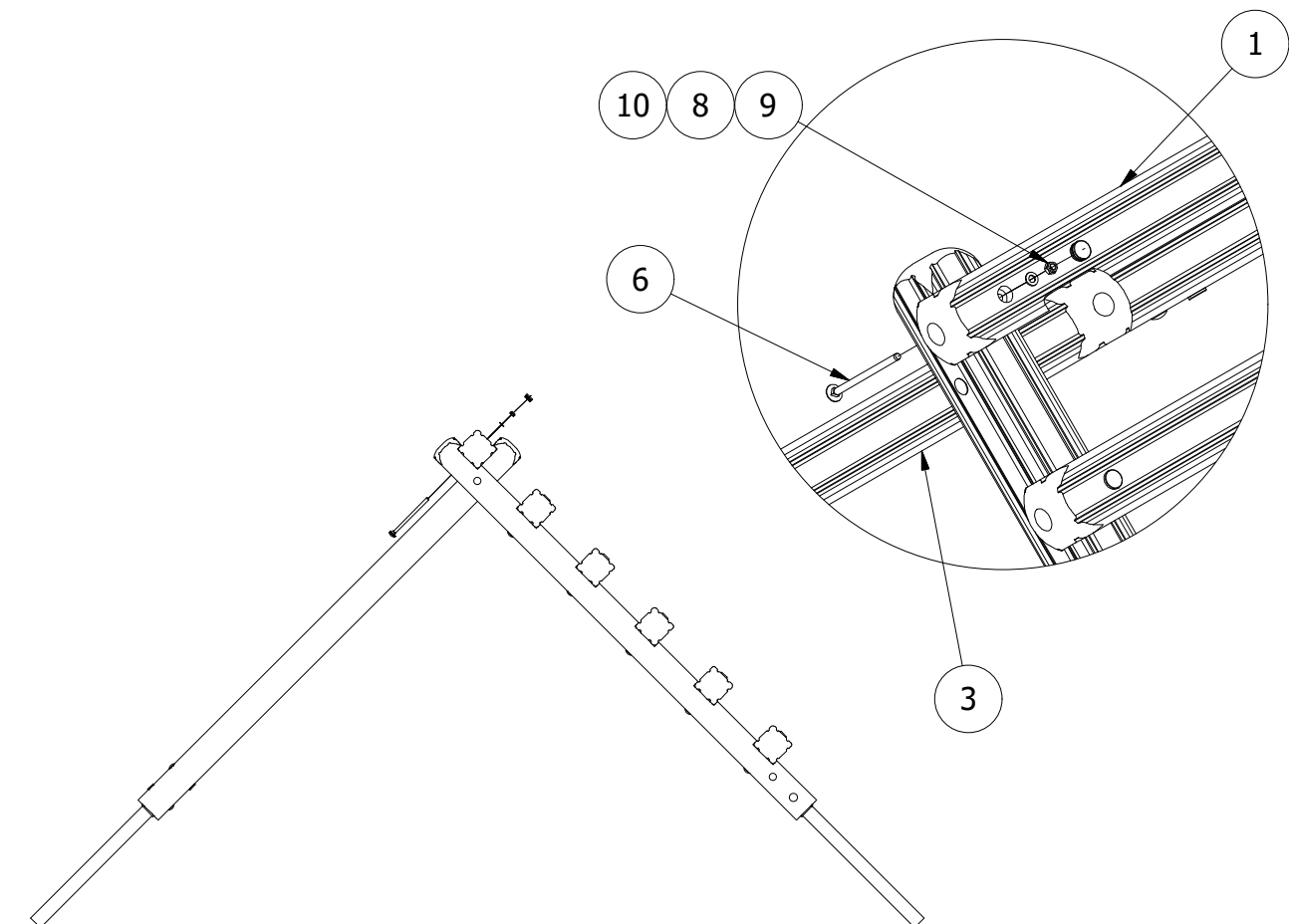
DO NOT SCALE FROM DRAWING

Tel: 01354 638359 www.onlineplaygrounds.co.uk

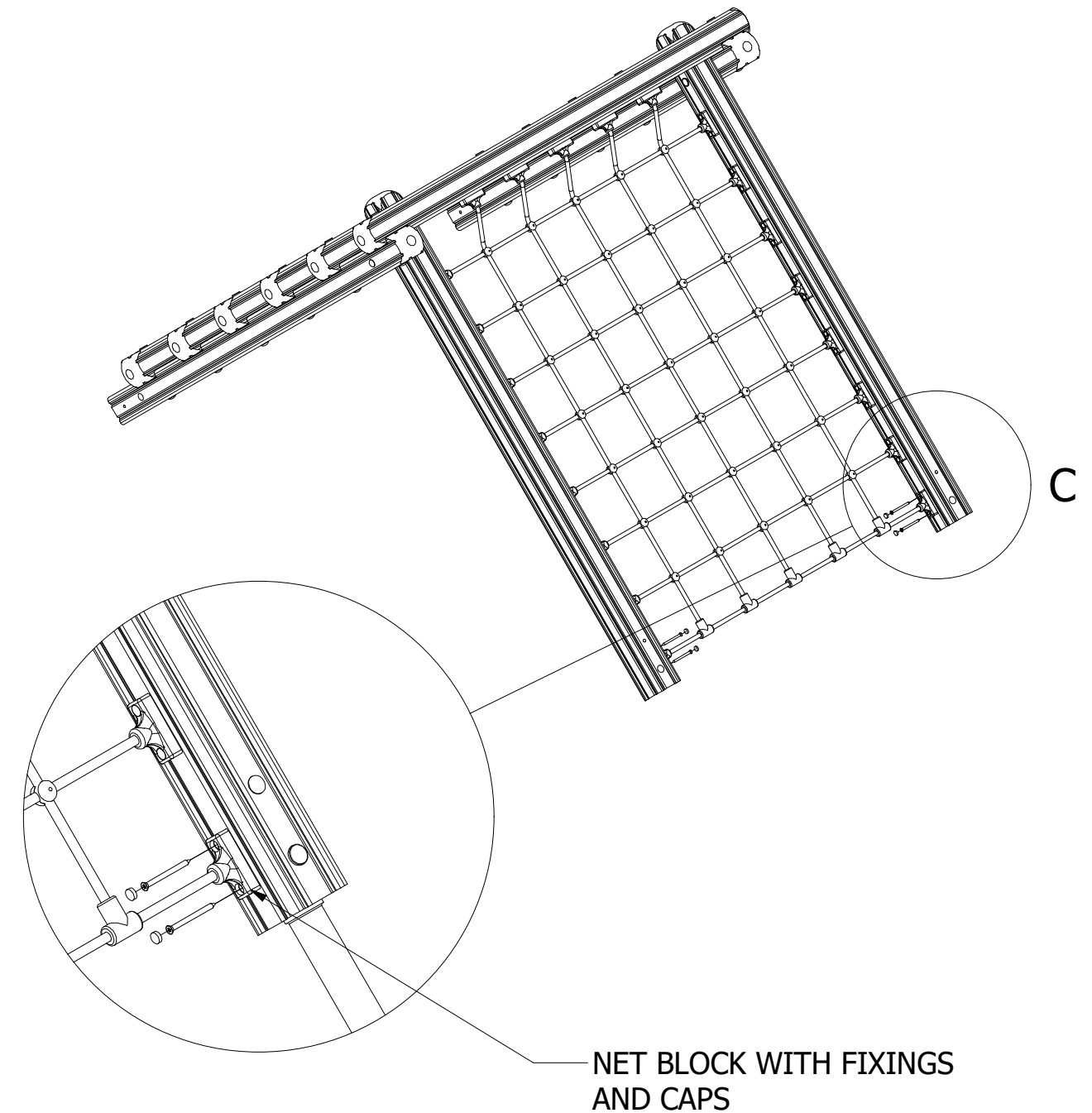
1. AS ILLUSTRATED, CREATE THE TWO A-FRAMES BELOW, POSITION INTO THE FOUNDATION HOLES AND BRACE.



2. AS SHOWN, JOIN THE TWO A FRAMES TOGETHER AT THE APEX USING THE SUPPLIED COACH BOLTS AND HORIZONTAL TIMBER (ITEM 1). CONTINUE SECURING EACH POST ITEM 1, TO THE TWO A FRAME POSTS (ITEM 2).



3. ON THE OPPOSITE SIDE OF THE FRAME, SECURE THE SCRAMBLE NET TO THE INSIDES OF THE A FRAMES. EACH PART OF THE NET IS PULLED TAUT BEFORE SECURING TO ENSURE THE NET IS APPROPRIATELY TENSIONED.



<p>UNLESS OTHERWISE SPECIFIED: DIMENSIONS ARE IN MILLIMETERS</p> <p>TOLERANCES:</p> <p>LINEAR: ±2MM</p> <p>1 DECIMAL PLACE: ±0.5MM</p> <p>ANGULAR: ±1°</p>	<p>PROPRIETARY AND CONFIDENTIAL</p> <p>THE INFORMATION CONTAINED IN THIS DRAWING IS THE SOLE PROPERTY OF FENLAND LEISURE PRODUCTS. ANY REPRODUCTION IN PART OR AS A WHOLE WITHOUT THE WRITTEN PERMISSION OF FENLAND LEISURE PRODUCTS IS PROHIBITED.</p>	Title: PRO-500-052 LADDER NET CLIMB	
		Product Range: FITNESS TRAIL	
		Date: 30/04/2019	
		Page: A3	
<p>DO NOT SCALE FROM DRAWING</p> <p>Tel: 01354 638359 www.onlineplaygrounds.co.uk</p>			

