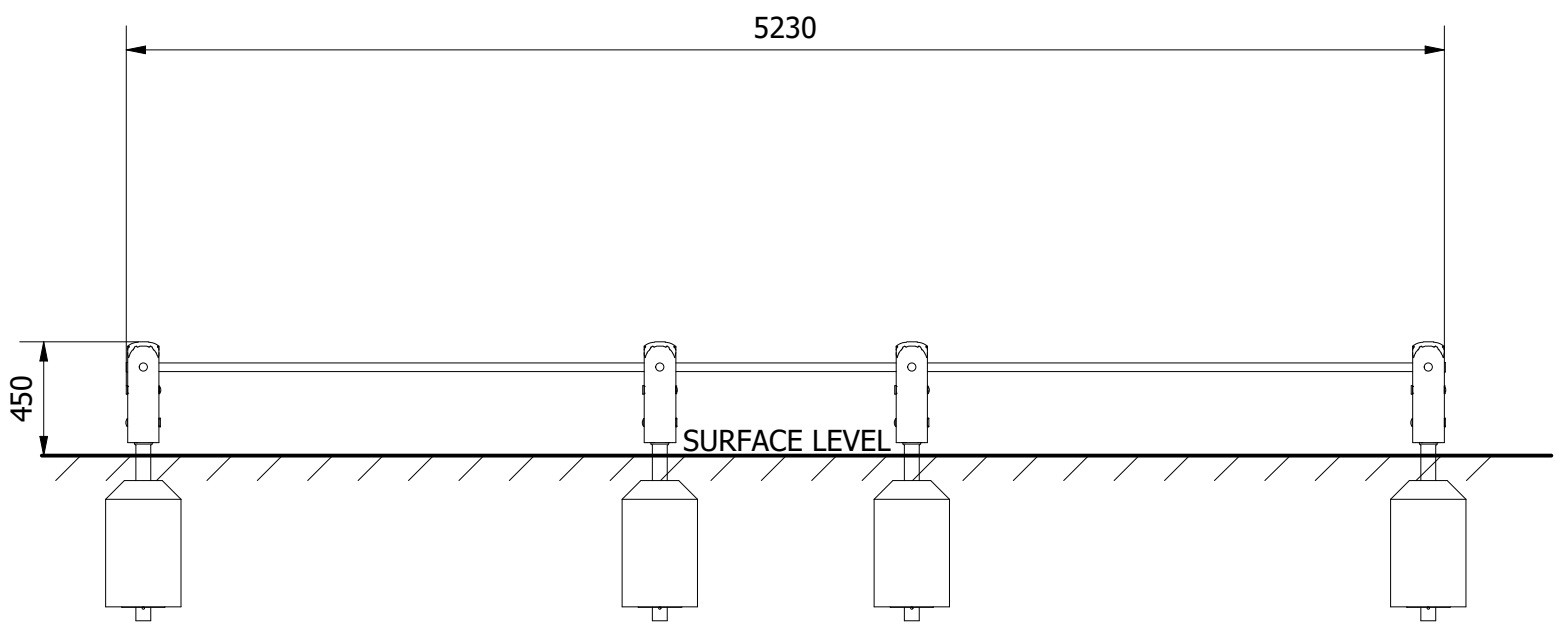
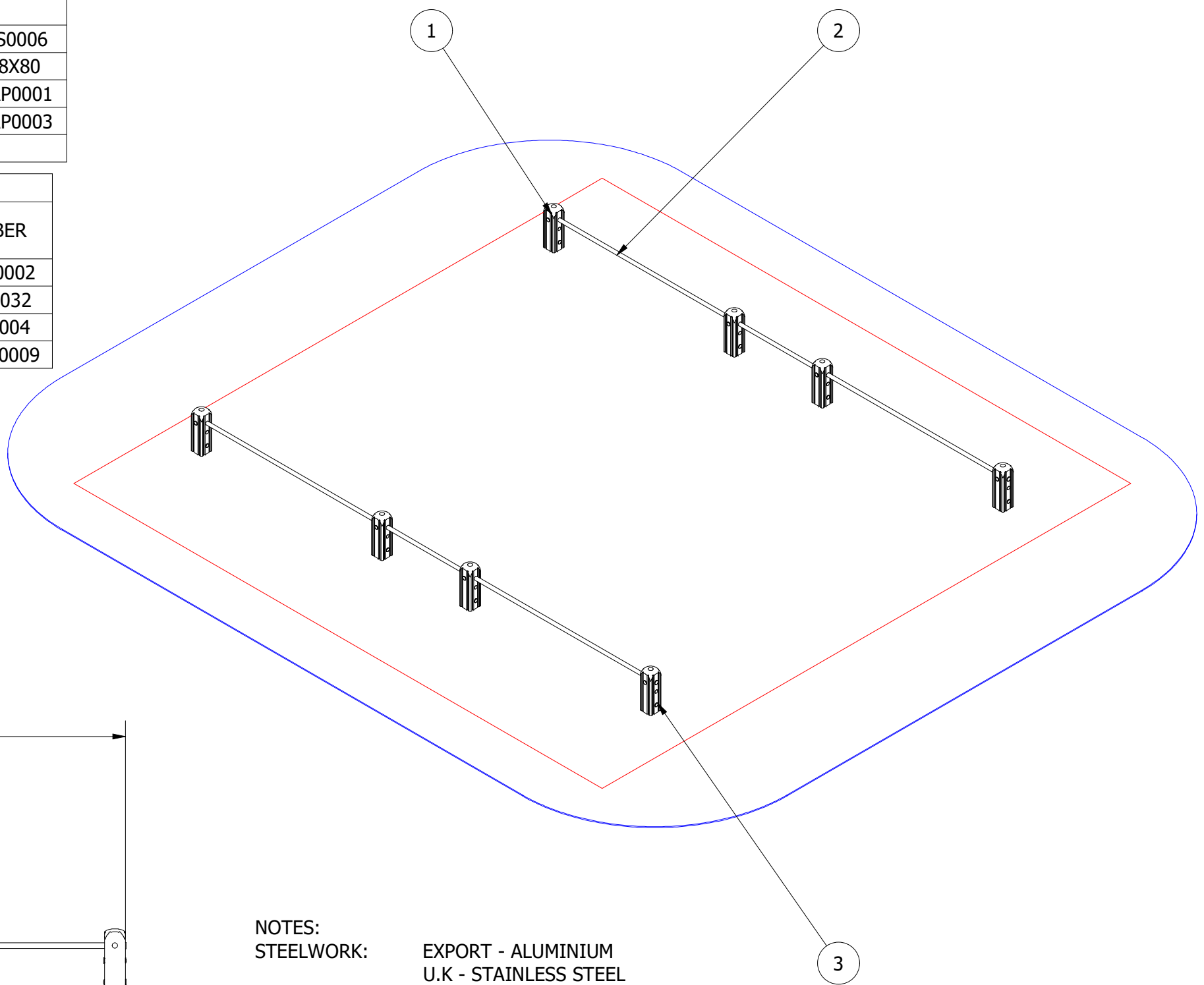



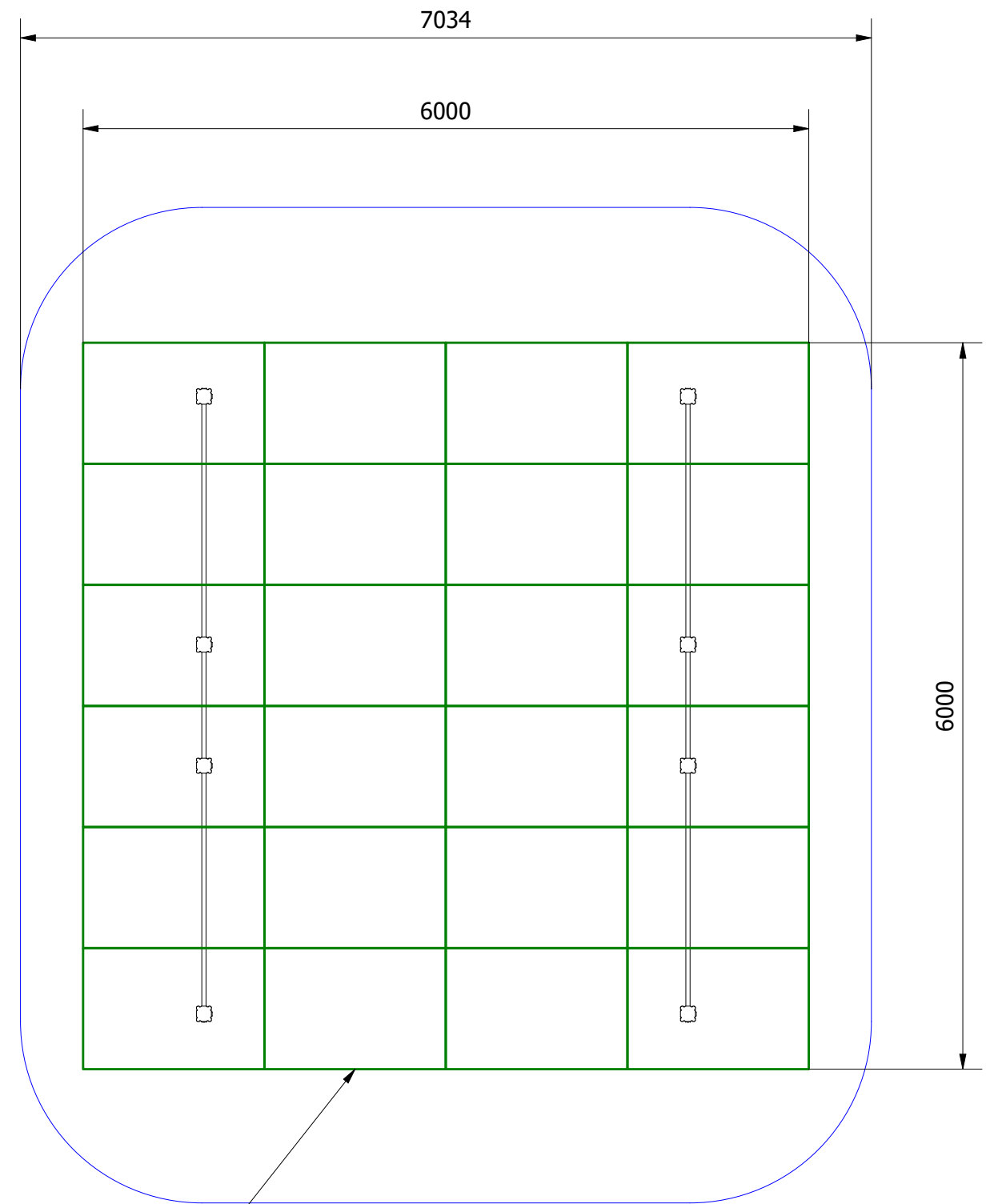
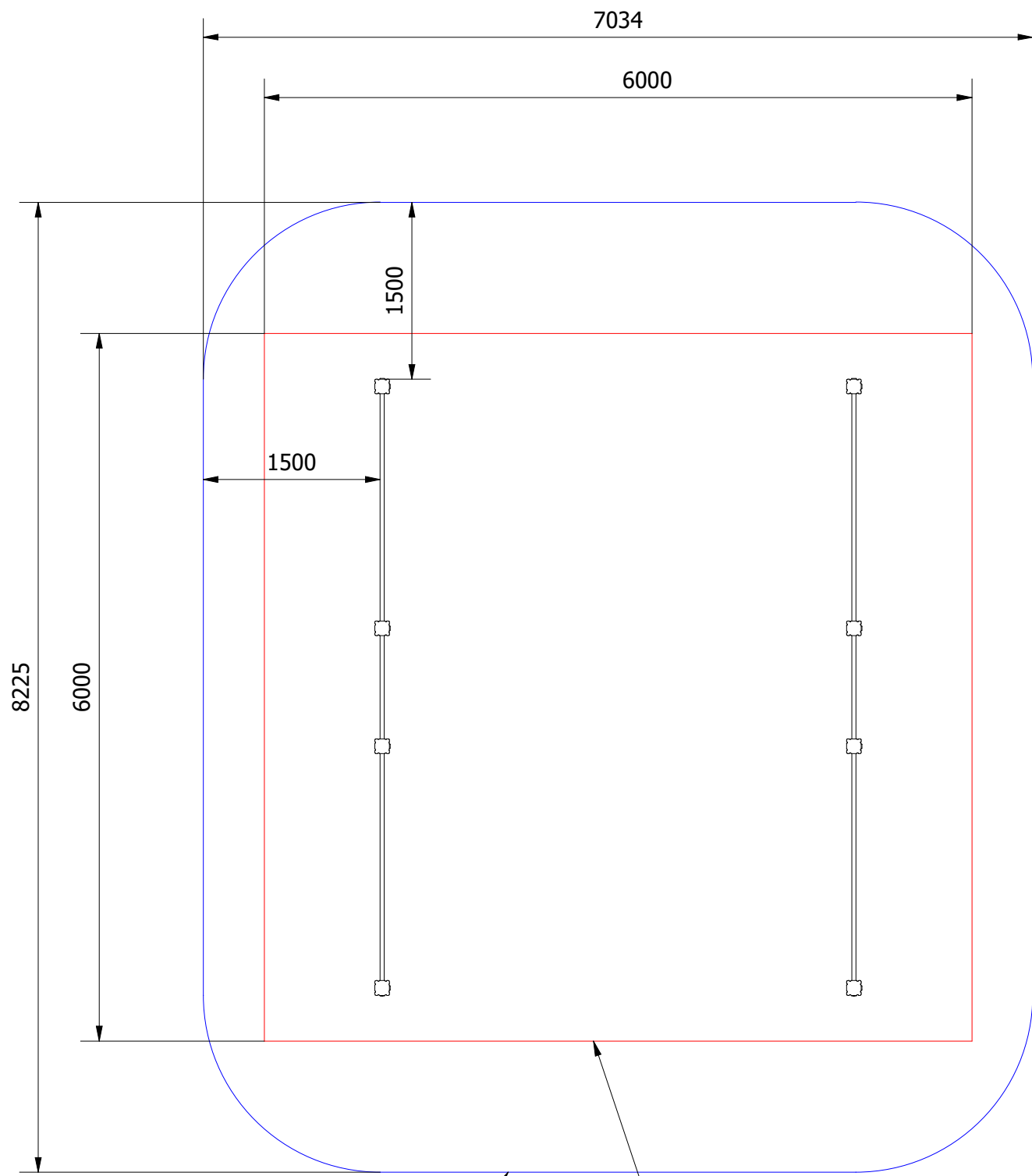
| PARTS LIST |     |                               |   |               |
|------------|-----|-------------------------------|---|---------------|
| ITEM       | QTY | PART NUMBER                   | DESCRIPTION                             | STOCK NUMBER  |
| 1          | 8   | TB-200-1111                   | 400MM X 125MM SAFALOG                   | COMTIMSAF0001 |
| 2          | 2   | MT-300-096                    | 5160 X 33.7 DIA (SS C.H.S)              |               |
| 3          | 8   | MOD-600-121 GROUND FOOT (125) | GROUND FOOT (125)                       | SUBSTEMIS0006 |
| 4          | 8   | M8 X 80 TORX WASHER HEAD      | 80MM WASHER SCREW                       | COMA2WH8X80   |
| 5          | 8   | 30MM BOLT COVER               | 30MM BLACK CAP                          | COMPLACAP0001 |
| 6          | 4   | 34MM BOLT COVER               | 34MM CAP                                | COMPLACAP0003 |
| 7          | 8   | 300 x 300 x 500               | 0.045M <sup>3</sup> CONCRETE FOUNDATION |               |

| INDICATOR SIGN |     |                         |                          |               |
|----------------|-----|-------------------------|--------------------------|---------------|
| ITEM           | QTY | PART NUMBER             | DESCRIPTION              | STOCK NUMBER  |
| 1              | 1   | TB-200-399_B            | 1100 x 112mm (FC281650P) | COMTIMSAF0002 |
| 2              | 1   | PE-400-035              | INDICATOR SIGN           | COMSIGSIG0032 |
| 3              | 1   | MOD-600-116 GROUND FOOT | GROUND FOOT (112)        | SUBSTEMIS0004 |
| 4              | 4   | M3 X 25 POZI PAN SCREW  | 25MM POZI PAN SCREW      | COMHARSTA0009 |



NOTES:  
 STEELWORK: EXPORT - ALUMINIUM  
 U.K - STAINLESS STEEL  
 INDICATOR SIGN: EXPORT - COMSIGSIG0042  
 U.K - COMSIGSIG0032

|  |   |   |                  |
|--|---|---|------------------|
| UNLESS OTHERWISE SPECIFIED:<br>DIMENSIONS ARE IN MILLIMETERS<br>TOLERANCES:<br>LINEAR: ±2MM<br>1 DECIMAL PLACE: ±0.5MM<br>ANGULAR: ±1° | <b>PROPRIETARY AND CONFIDENTIAL</b><br>THE INFORMATION CONTAINED IN THIS DRAWING IS THE SOLE PROPERTY OF FENLAND LEISURE PRODUCTS. ANY REPRODUCTION IN PART OR AS A WHOLE WITHOUT THE WRITTEN PERMISSION OF FENLAND LEISURE PRODUCTS IS PROHIBITED. | Title: PRO-500-191 GROUP SIT UPS (GP6)        |                  |
|  |   | Product Range: FITNESS TRAIL                  |                  |
|   |   | <0.6M FFH                                     | Date: 18/02/2022 |
|  |   | DO NOT SCALE FROM DRAWING                     |                  |
|  |   | Tel: 01354 638359 www.onlineplaygrounds.co.uk |                  |



24 SAFAGRASS TILES (1.5M X 1.0M)

MIN SPACE

WETPOUR AREA = 36M<sup>2</sup>  
PERIMETER = 24 L/M

UNLESS OTHERWISE SPECIFIED:  
DIMENSIONS ARE IN MILLIMETERS  
TOLERANCES:  
LINEAR: ±2MM  
1 DECIMAL PLACE: ±0.5MM  
ANGULAR: ±1°

**PROPRIETARY AND CONFIDENTIAL**  
THE INFORMATION CONTAINED IN THIS  
DRAWING IS THE SOLE PROPERTY OF  
FENLAND LEISURE PRODUCTS. ANY  
REPRODUCTION IN PART OR AS A WHOLE  
WITHOUT THE WRITTEN PERMISSION  
OF FENLAND  
LEISURE PRODUCTS IS PROHIBITED.

Title: PRO-500-191 GROUP SIT UPS (GP6)

Product Range: FITNESS TRAIL

Date:  
18/02/2022

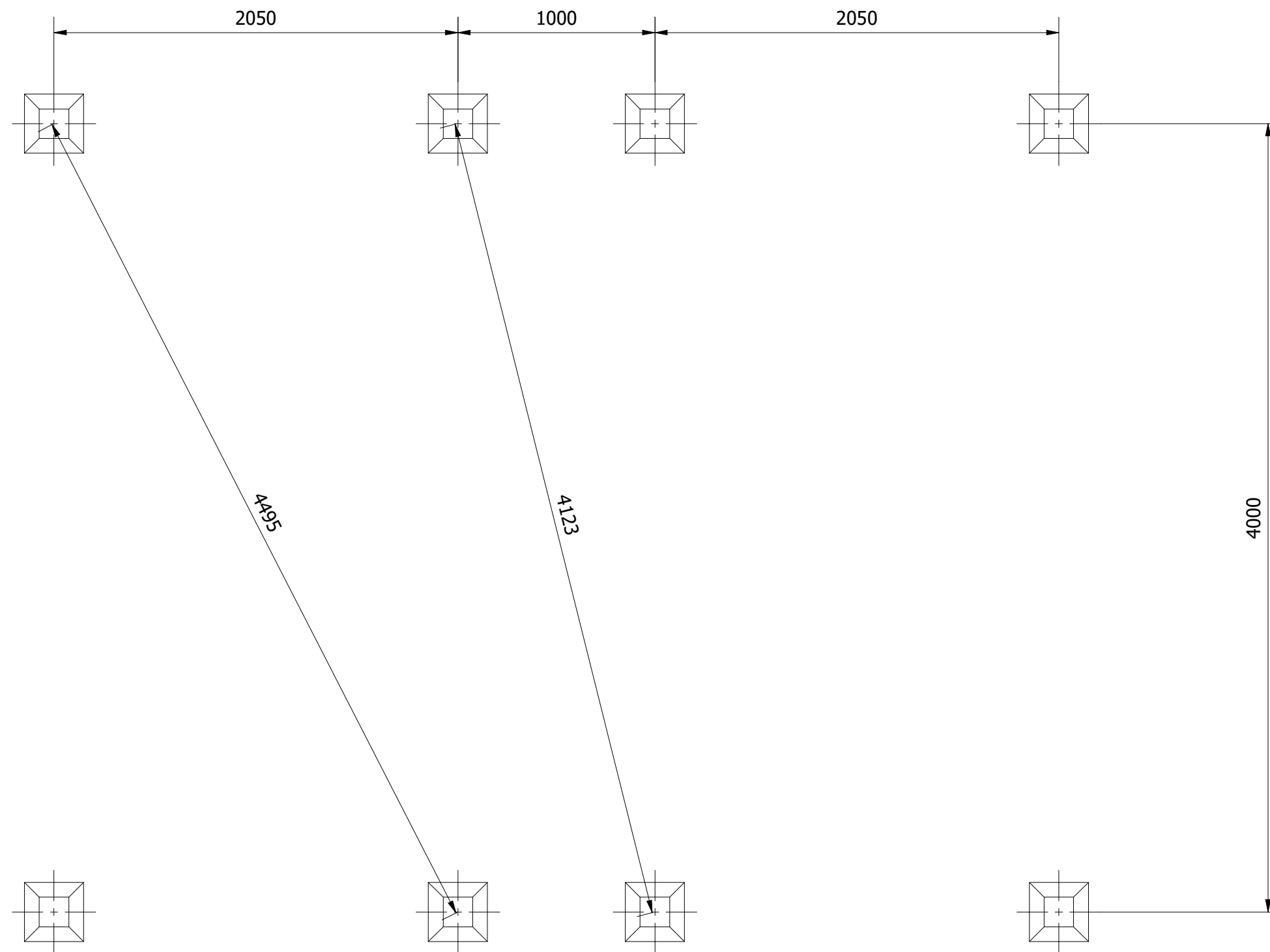
Page:

A3



DO NOT SCALE FROM DRAWING

Tel: 01354 638359 www.onlineplaygrounds.co.uk



UNLESS OTHERWISE SPECIFIED:  
DIMENSIONS ARE IN MILLIMETERS  
TOLERANCES:  
LINEAR: ±2MM  
1 DECIMAL PLACE: ±0.5MM  
ANGULAR: ±1°

**PROPRIETARY AND CONFIDENTIAL**  
THE INFORMATION CONTAINED IN THIS  
DRAWING IS THE SOLE PROPERTY OF  
FENLAND LEISURE PRODUCTS. ANY  
REPRODUCTION IN PART OR AS A WHOLE  
WITHOUT THE WRITTEN PERMISSION  
OF FENLAND  
LEISURE PRODUCTS IS PROHIBITED.

Title: PRO-500-191 GROUP SIT UPS (GP6)

Product Range: FITNESS TRAIL

Date:  
18/02/2022

Page:  
A3

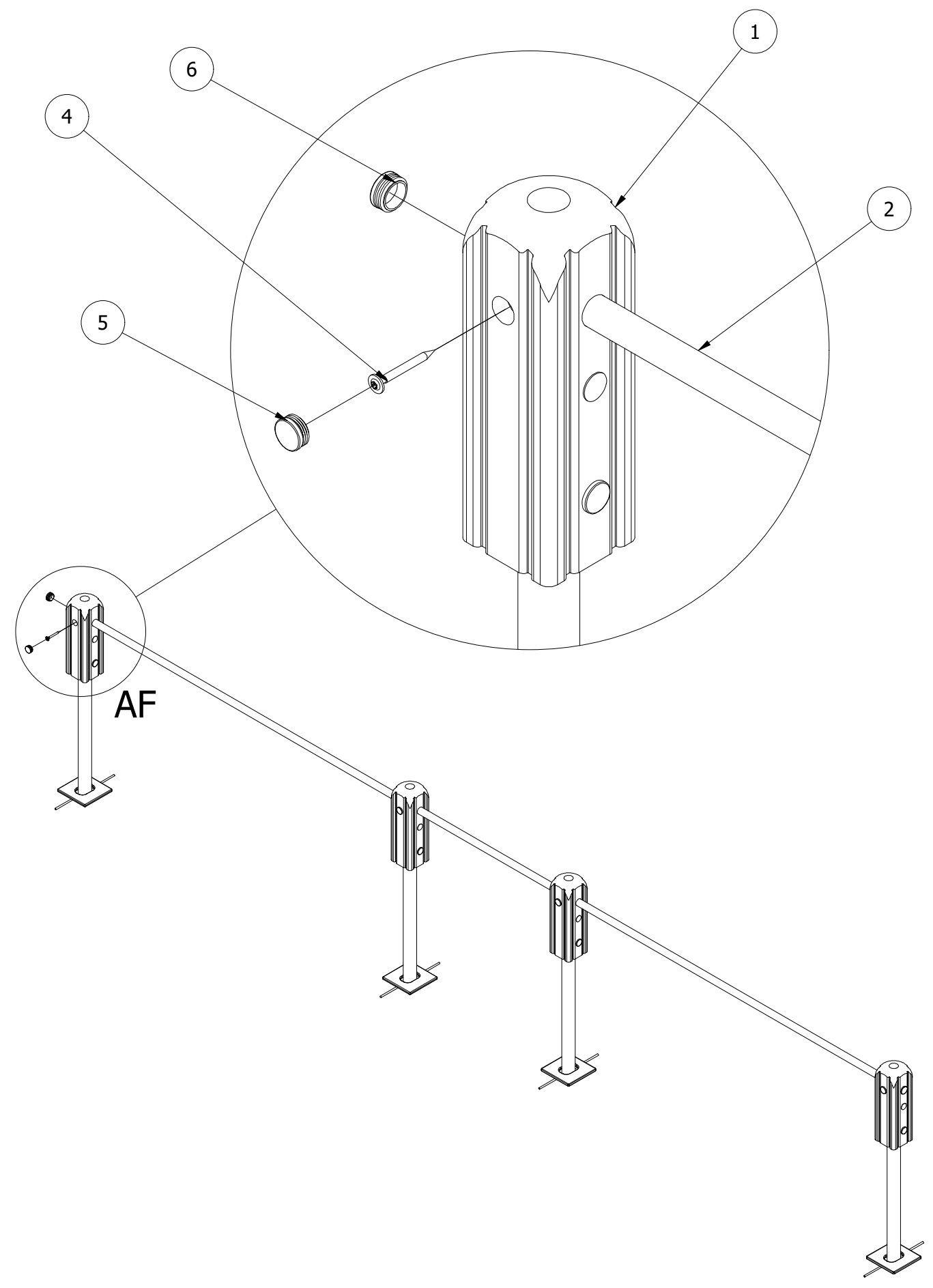


DO NOT SCALE FROM DRAWING

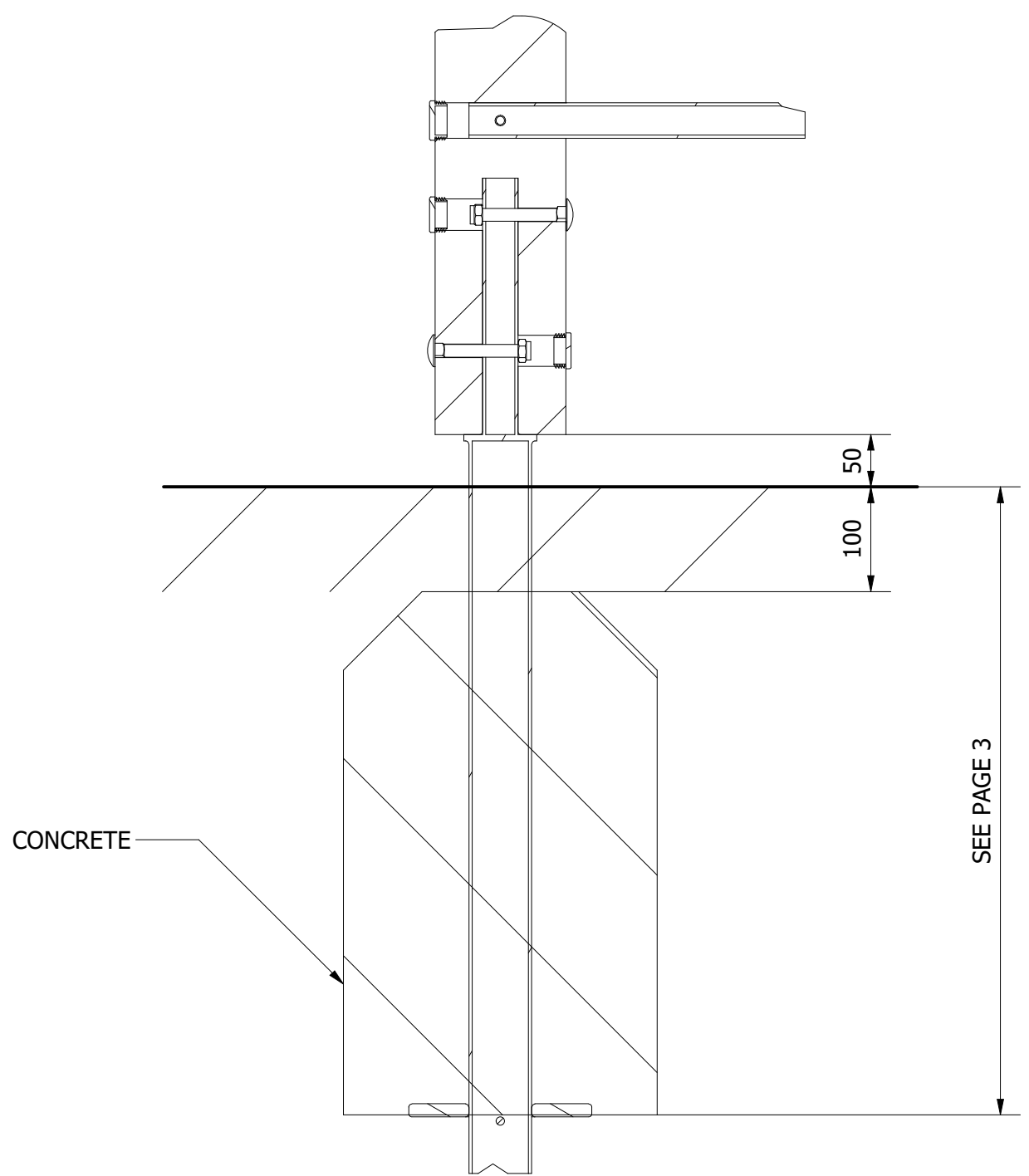
Tel: 01354 638359 www.onlineplaygrounds.co.uk

ALL FOUNDATIONS 300 X 300 X 600 DEEP UNLESS OTHERWISE SPECIFIED

1. AS SHOWN BELOW, POSITION EACH SUPPORT POST INTO THE FOUNDATION HOLES. JOIN EACH POST TOGETHER BY SLIDING THE SIT UP POLE (ITEM 2) THROUGH EACH HOLE IN THE TIMBER AND THEN SECURE IN PLACE USING THE SUPPLIED FIXING.



3. FINALLY, ENSURE UNIT IS LEVEL AND PLUMB, ALL FIXINGS HAVE BEEN TIGHTENED AND PROTECTIVE CAPS IN PLACE. ADD CONCRETE TO EACH FOUNDATION HOLE AND LEAVE FOR 48 HOURS



|  |   |   |  |
|--|---|---|--|
| UNLESS OTHERWISE SPECIFIED:<br>DIMENSIONS ARE IN MILLIMETERS<br>TOLERANCES:<br>LINEAR: ±2MM<br>1 DECIMAL PLACE: ±0.5MM<br>ANGULAR: ±1° | <b>PROPRIETARY AND CONFIDENTIAL</b><br>THE INFORMATION CONTAINED IN THIS<br>DRAWING IS THE SOLE PROPERTY OF<br>FENLAND LEISURE PRODUCTS. ANY<br>REPRODUCTION IN PART OR AS A WHOLE<br>WITHOUT THE WRITTEN PERMISSION<br>OF FENLAND<br>LEISURE PRODUCTS IS PROHIBITED. | Title: PRO-500-191 GROUP SIT UPS (GP6)        |  |
|  |   | Product Range: FITNESS TRAIL                  |  |
|   |   | Date: 18/02/2022                              |  |
|  |   | Page: A3                                      |  |
| DO NOT SCALE FROM DRAWING  |   | Tel: 01354 638359 www.onlineplaygrounds.co.uk |  |