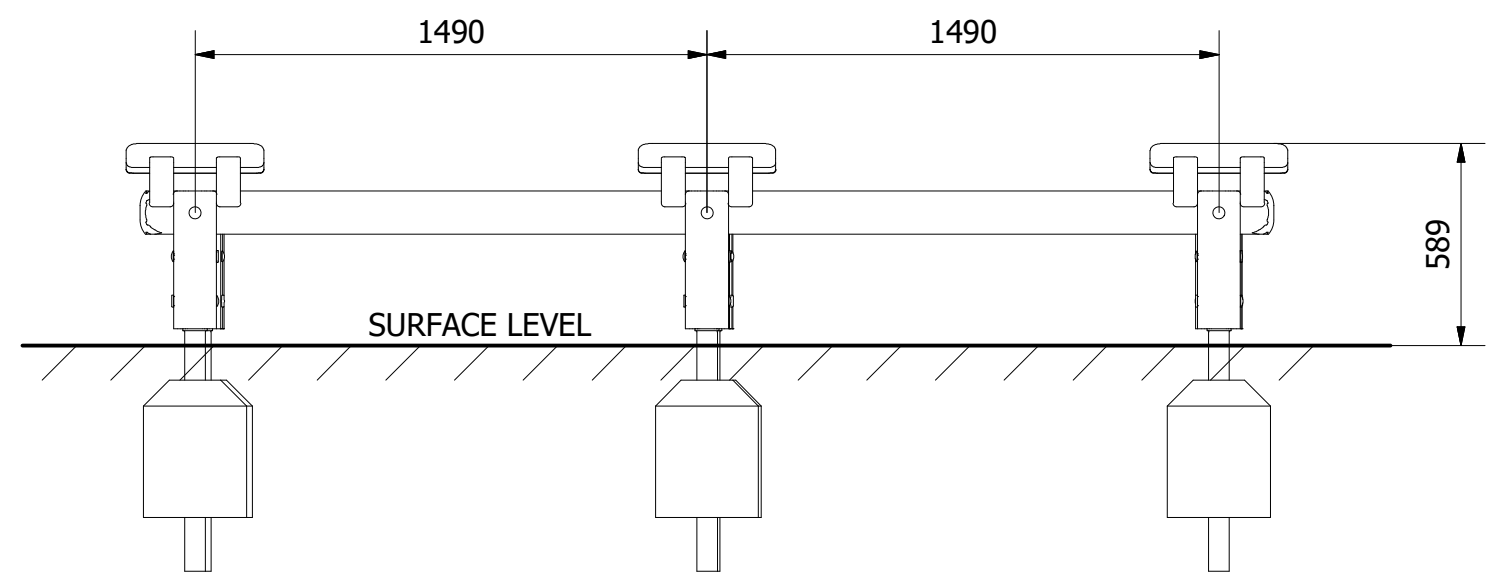
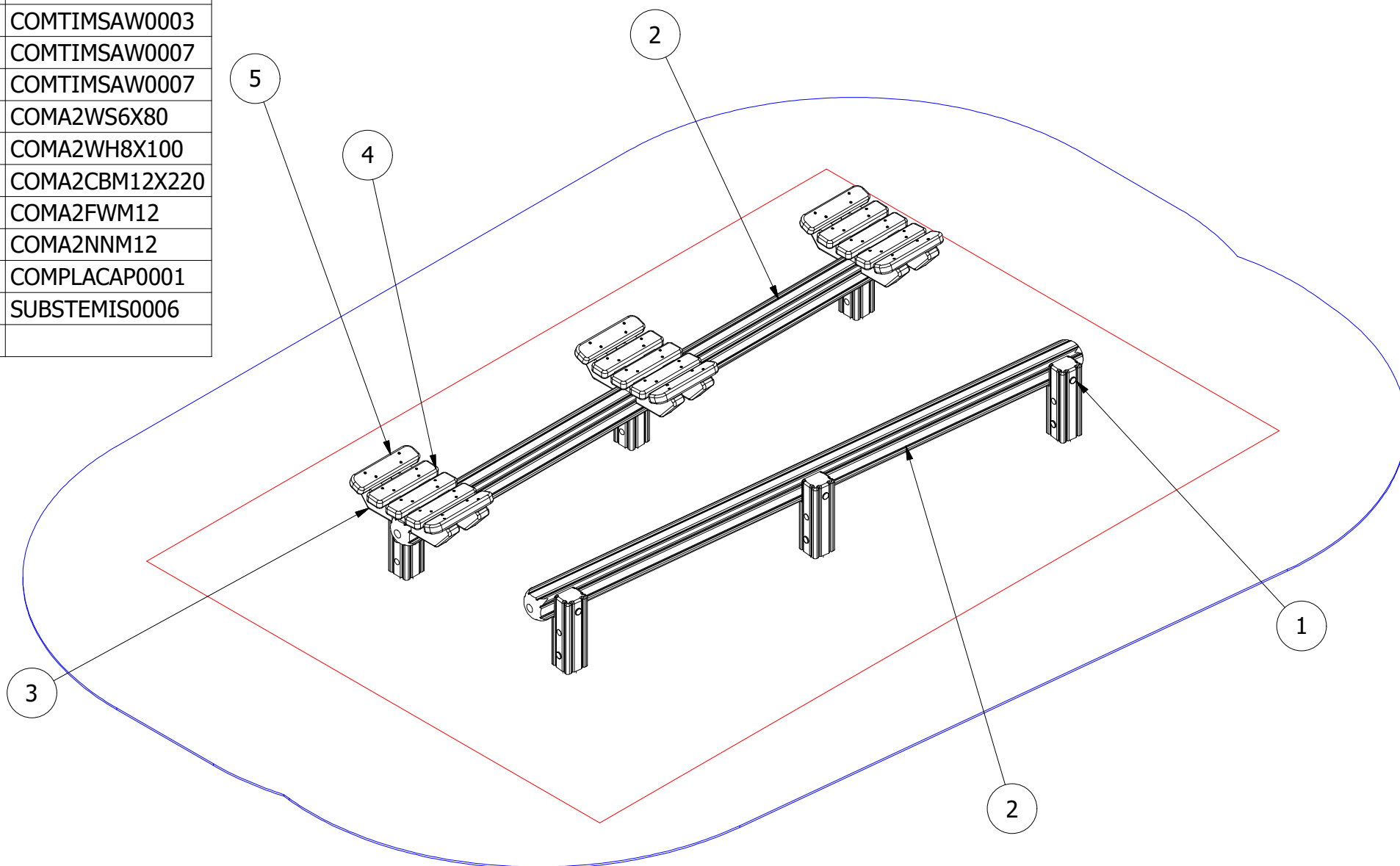



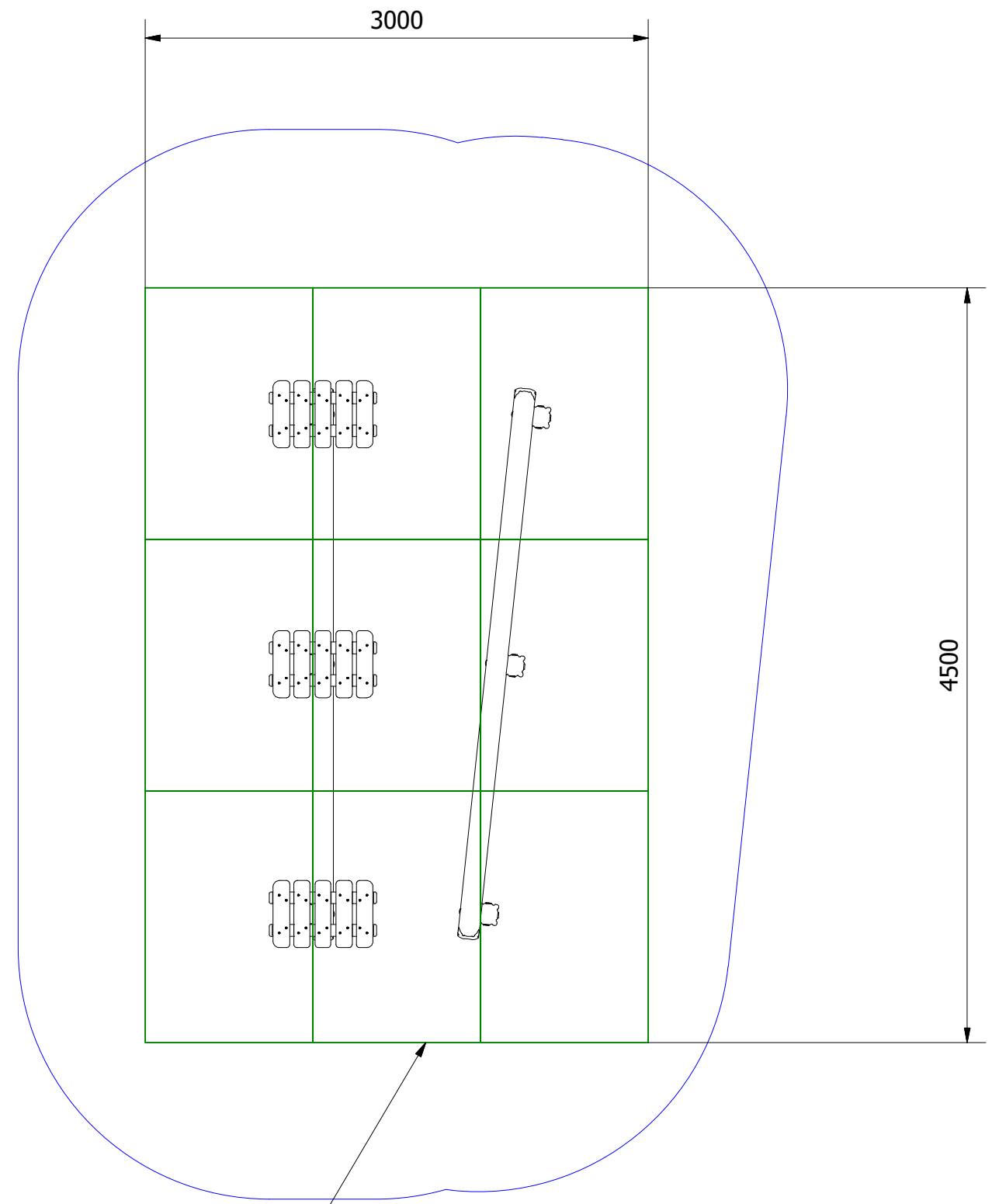
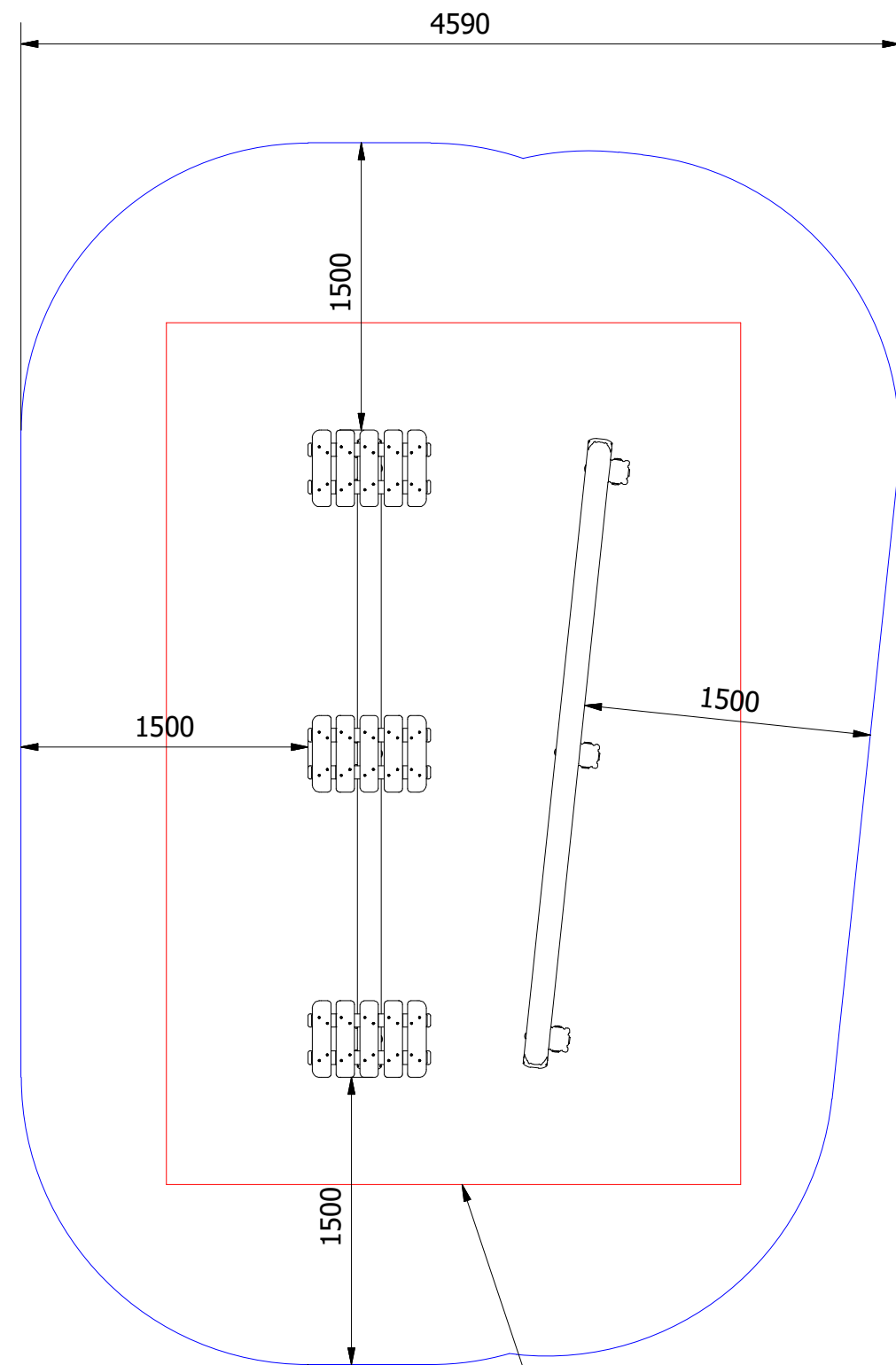
PARTS LIST				
ITEM	QTY	PART NUMBER	DESCRIPTION	STOCK NUMBER
1	6	TB-200-335_B	400MM X 125MM (POST INSERT)	COMTIMSAF0001
2	2	TB-200-743	3300mm x 125mm SAFALOG	COMTIMSAF0001
3	6	TB-200-756	640 x 145 x 70	COMTIMSAW0003
4	9	TB-200-757	400 x 95 x 45	COMTIMSAW0007
5	6	TB-200-758	400 x 95 x 45	COMTIMSAW0007
6	60	M6 X 80 TORX WOODSCREW	80MM TORX WOODSCREW	COMA2WS6X80
7	6	M8 X 100 TORX WASHER HEAD	100MM WASHER HEAD	COMA2WH8X100
8	6	M12 X 220 COACH BOLT	M12 X 220 (DIN 603)	COMA2CBM12X220
9	6	M12 WASHER	M12 WASHER (DIN 125)	COMA2FWM12
10	6	M12 NYLOC NUT	M12 NYLOC NUT (DIN 985)	COMA2NNM12
11	6	30MM BOLT COVER	30MM BLACK CAP	COMPLACAP0001
12	6	MOD-600-121 GROUND FOOT (125)	GROUND FOOT (125)	SUBSTEMIS0006
13	6	300 x 300 x 400	0.036M ³ CONCRETE FOUNDATION	

FITNESS INDICATOR SIGN			
ITEM	QTY	PART NUMBER	DESCRIPTION
1	1	TB-200-399_B	1100 x 112mm (FC281650P)
2	1	PE-400-035	INDICATOR SIGN
4	4	M3 X 25 POZI PAN SCREW	25MM POZI PAN SCREW
5	1	300 x 300 x 400	0.036M ³ CONCRETE FOUNDATION
3	1	MOD-600-116 GROUND FOOT	GROUND FOOT (112)



NOTES:
 STEELWORK: EXPORT - ALUMINIUM
 U.K - STAINLESS STEEL
 INDICATOR SIGN: EXPORT - COMSIGSIG0042
 U.K - COMSIGSIG0032

UNLESS OTHERWISE SPECIFIED: DIMENSIONS ARE IN MILLIMETERS TOLERANCES: LINEAR: ±2MM 1 DECIMAL PLACE: ±0.5MM ANGULAR: ±1°	PROPRIETARY AND CONFIDENTIAL THE INFORMATION CONTAINED IN THIS DRAWING IS THE SOLE PROPERTY OF FENLAND LEISURE PRODUCTS. ANY REPRODUCTION IN PART OR AS A WHOLE WITHOUT THE WRITTEN PERMISSION OF FENLAND LEISURE PRODUCTS IS PROHIBITED.	Title: PRO-500-188 BENCH SIT UPS (FC12)_SF	
		Product Range: FITNESS TRAIL	
		<0.6M FFH	Date: 17/06/2021
			Page: A3
DO NOT SCALE FROM DRAWING			
Tel: 01354 638359 www.onlineplaygrounds.co.uk			



9 SAFAGRASS TILES (1.5 X 1.0)

MIN SPACE

WETPOUR AREA = 13.5M²
PERIMETER = 15.0 L/M

UNLESS OTHERWISE SPECIFIED:
DIMENSIONS ARE IN MILLIMETERS
TOLERANCES:
LINEAR: ±2MM
1 DECIMAL PLACE: ±0.5MM
ANGULAR: ±1°

PROPRIETARY AND CONFIDENTIAL
THE INFORMATION CONTAINED IN THIS
DRAWING IS THE SOLE PROPERTY OF
FENLAND LEISURE PRODUCTS. ANY
REPRODUCTION IN PART OR AS A WHOLE
WITHOUT THE WRITTEN PERMISSION
OF FENLAND
LEISURE PRODUCTS IS PROHIBITED.

Title: PRO-500-188 BENCH SIT UPS (FC12)_SF

Product Range: FITNESS TRAIL

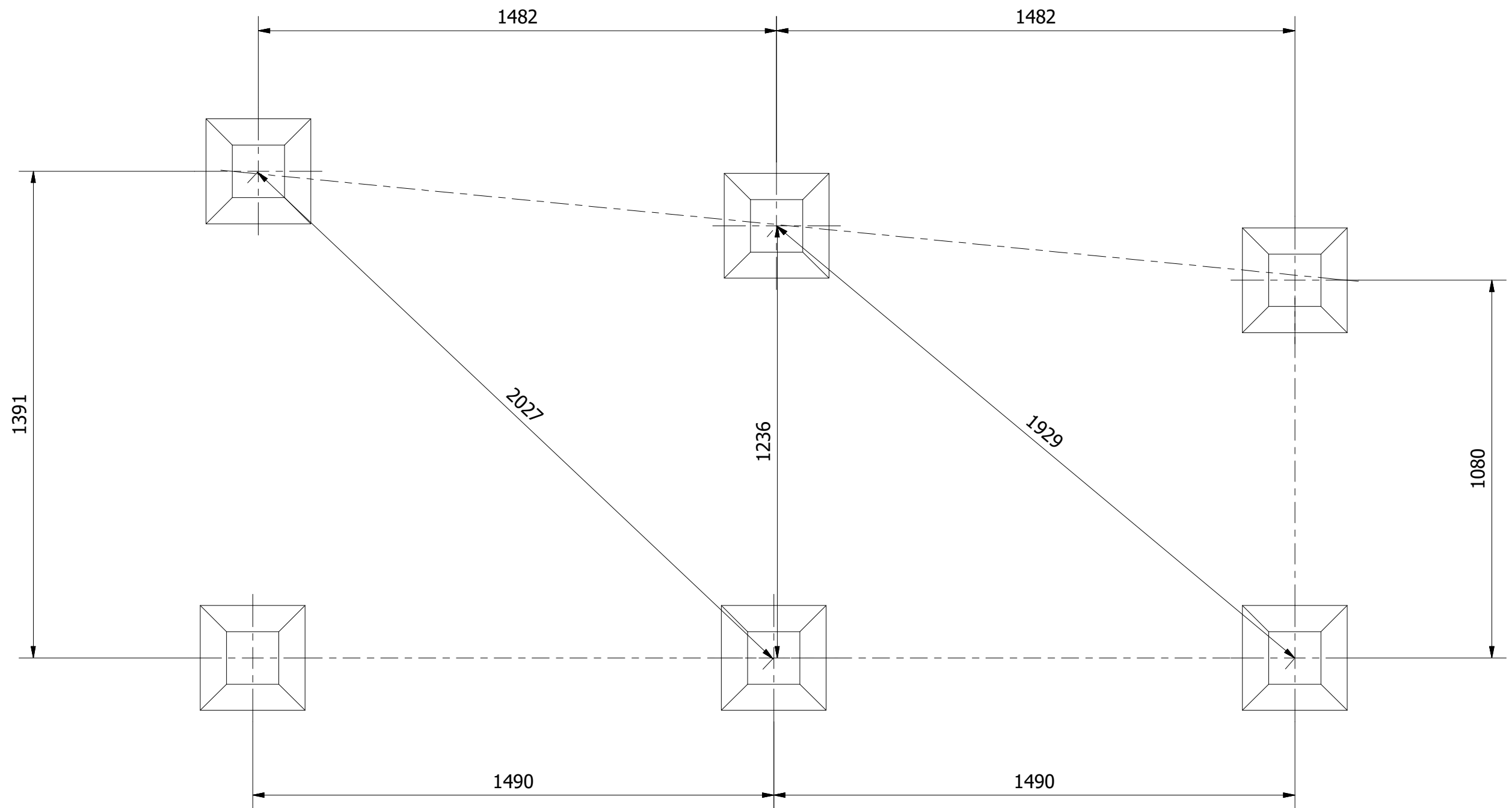
Date:
17/06/2021

Page:
A3



DO NOT SCALE FROM DRAWING

Tel: 01354 638359 www.onlineplaygrounds.co.uk



UNLESS OTHERWISE SPECIFIED:
DIMENSIONS ARE IN MILLIMETERS
TOLERANCES:
LINEAR: ±2MM
1 DECIMAL PLACE: ±0.5MM
ANGULAR: ±1°

PROPRIETARY AND CONFIDENTIAL
THE INFORMATION CONTAINED IN THIS
DRAWING IS THE SOLE PROPERTY OF
FENLAND LEISURE PRODUCTS. ANY
REPRODUCTION IN PART OR AS A WHOLE
WITHOUT THE WRITTEN PERMISSION
OF FENLAND
LEISURE PRODUCTS IS PROHIBITED.

Title: PRO-500-188 BENCH SIT UPS (FC12)_SF

Product Range: FITNESS TRAIL

Date:
17/06/2021

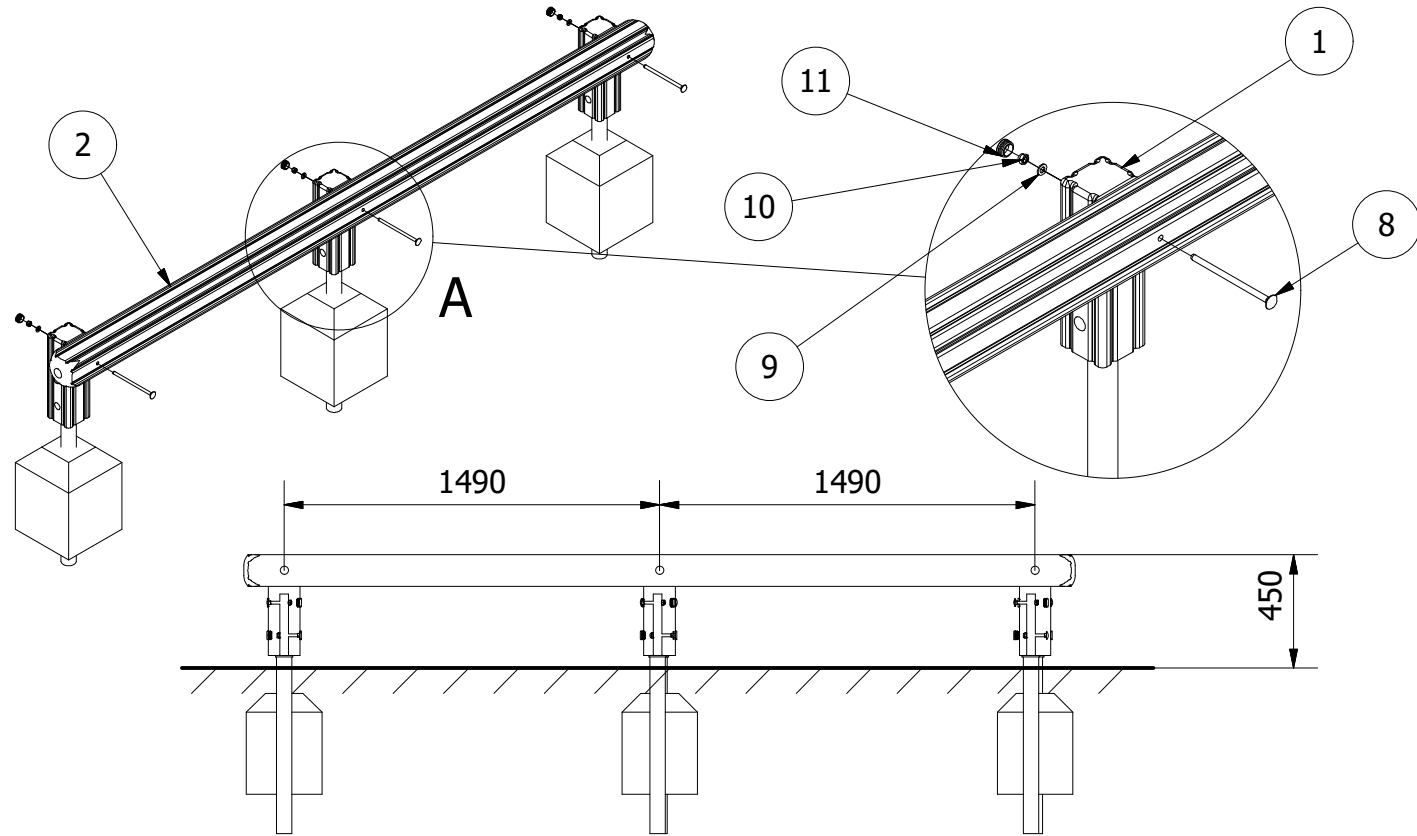
Page:
A3



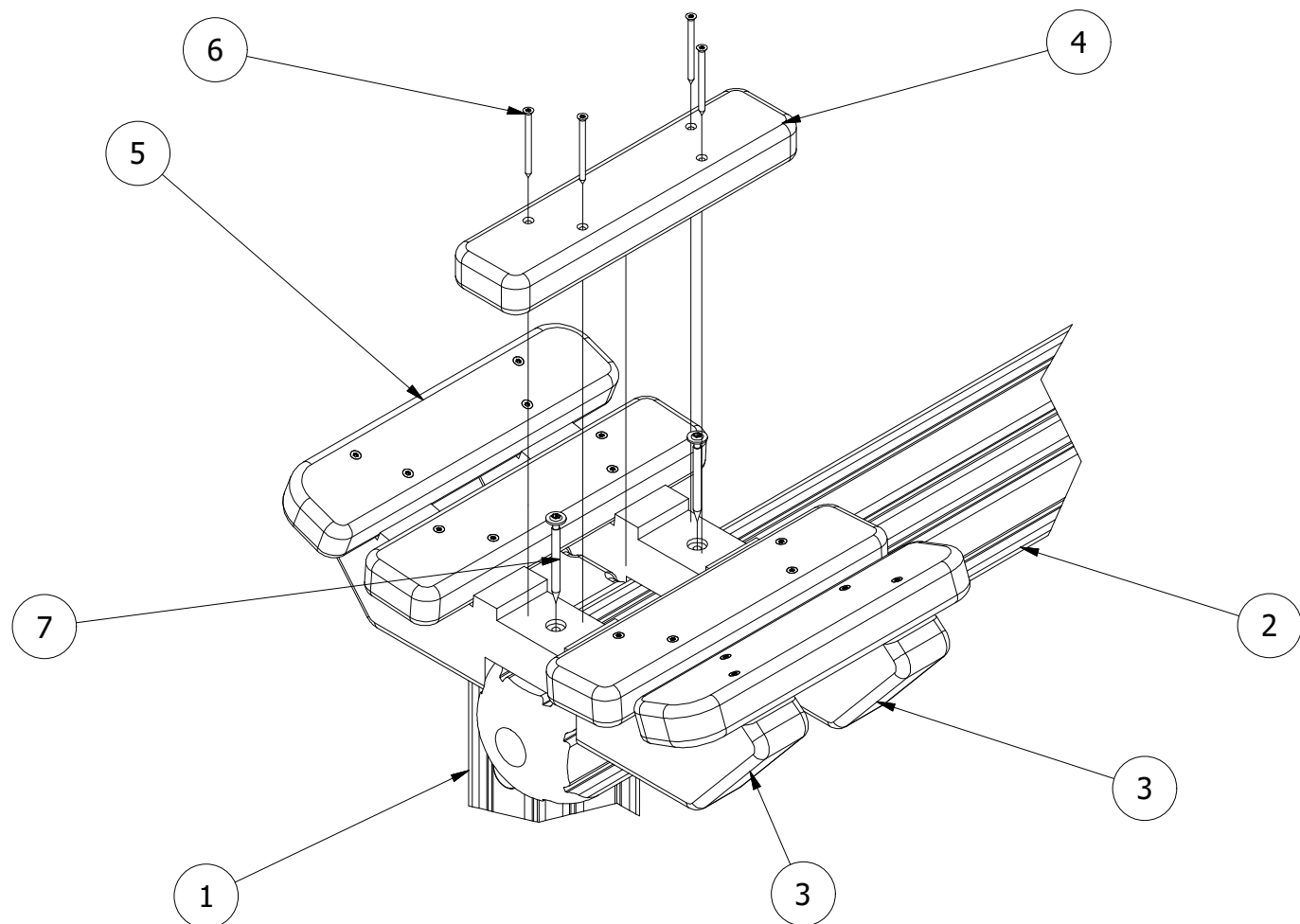
ALL FOUNDATIONS 300 X 300 X 500 DEEP UNLESS OTHERWISE SPECIFIED

DO NOT SCALE FROM DRAWING
Tel: 01354 638359 www.onlineplaygrounds.co.uk

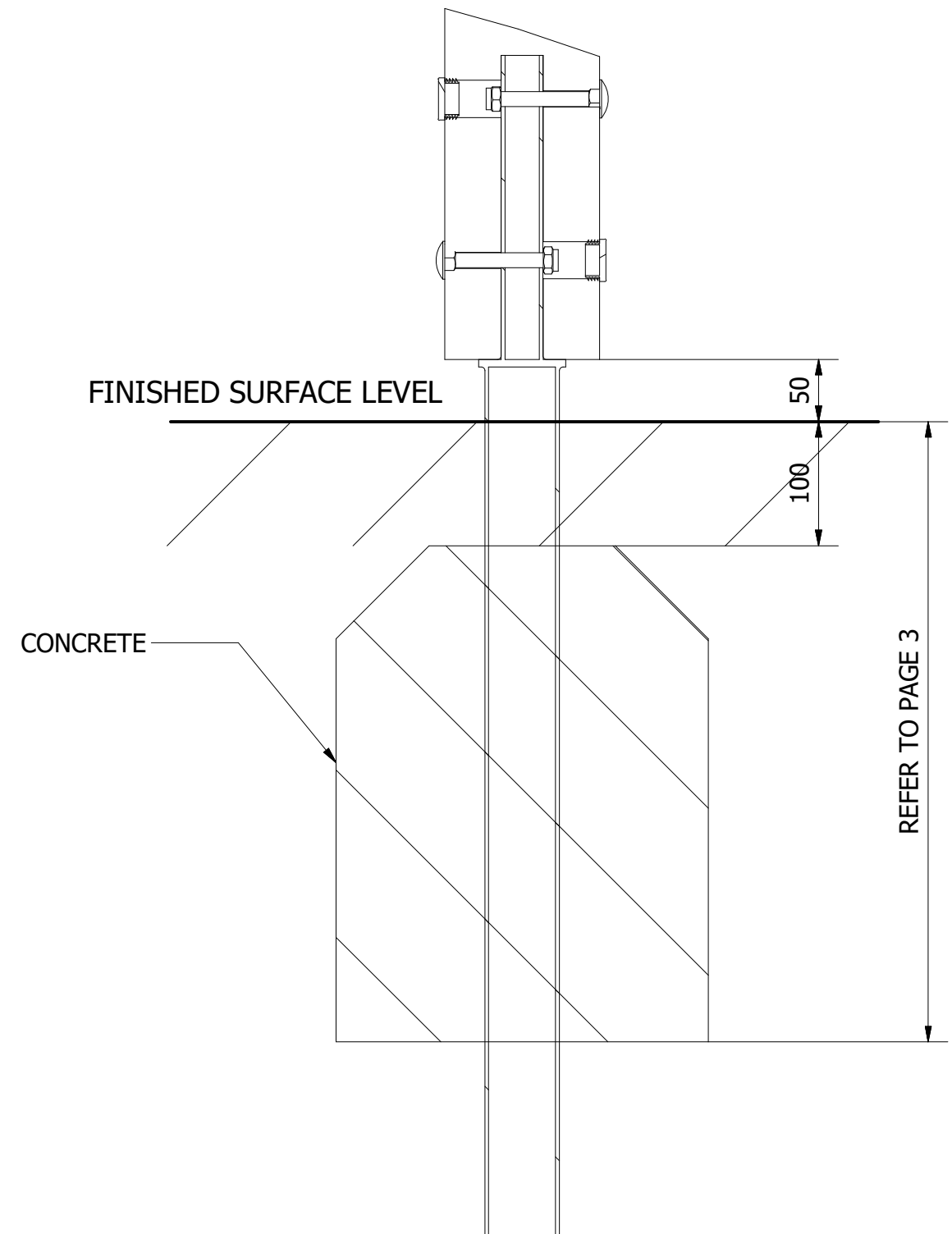
1. AS ILLUSTRATED BELOW, BUILD THE TWO SUPPORTING FRAMES AND POSITION INTO THE FOUNDATION HOLES. ENSURE THE UNIT IS LEVEL AND PLUMB. BRACE & ADD CONCRETE TO EACH FOUNDATION HOLES AND LEAVE FOR 48 HOURS.



2. IF PRE- ASSEMBLED, REMOVE THE CENTRE SEAT SUPPORT. POSITION OVER EITHER SIDE OF THE VERTICAL SUPPORT (ITEM 1) & OVER THE BEAM SUPPORT (ITEM 2). USE THE SUPPLIED SCREW TO SECURE IN PLACE.



3. FINALLY, ENSURE THE UNIT IS LEVEL AND PLUMB. ALL FIXINGS HAVE BEEN TIGHTENED AND PROTECTIVE CAPS IN PLACE.



UNLESS OTHERWISE SPECIFIED:
DIMENSIONS ARE IN MILLIMETERS
TOLERANCES:
LINEAR: ±2MM
1 DECIMAL PLACE: ±0.5MM
ANGULAR: ±1°

PROPRIETARY AND CONFIDENTIAL

THE INFORMATION CONTAINED IN THIS DRAWING IS THE SOLE PROPERTY OF FENLAND LEISURE PRODUCTS. ANY REPRODUCTION IN PART OR AS A WHOLE WITHOUT THE WRITTEN PERMISSION OF FENLAND LEISURE PRODUCTS IS PROHIBITED.

Title: PRO-500-188 BENCH SIT UPS (FC12)_SF

Product Range: FITNESS TRAIL

Date:
17/06/2021

Page:

A3



DO NOT SCALE FROM DRAWING

Tel: 01354 638359 www.onlineplaygrounds.co.uk