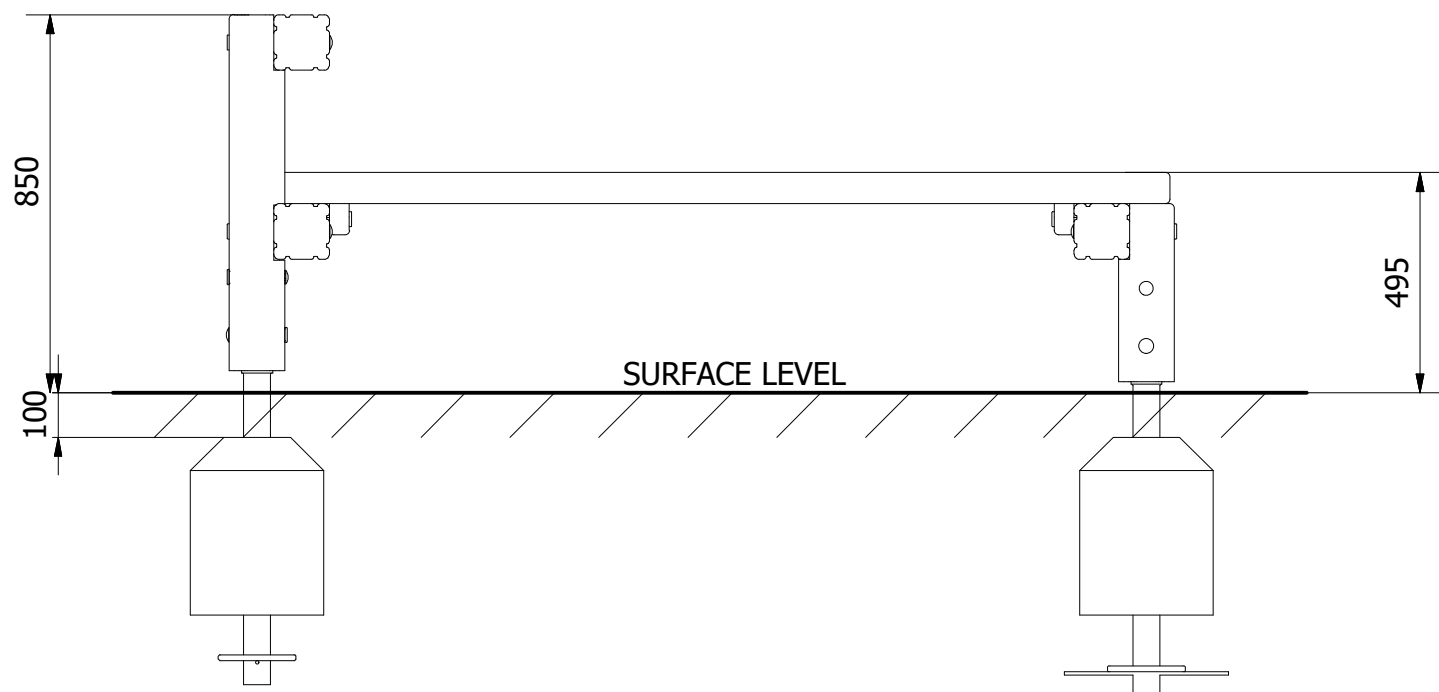
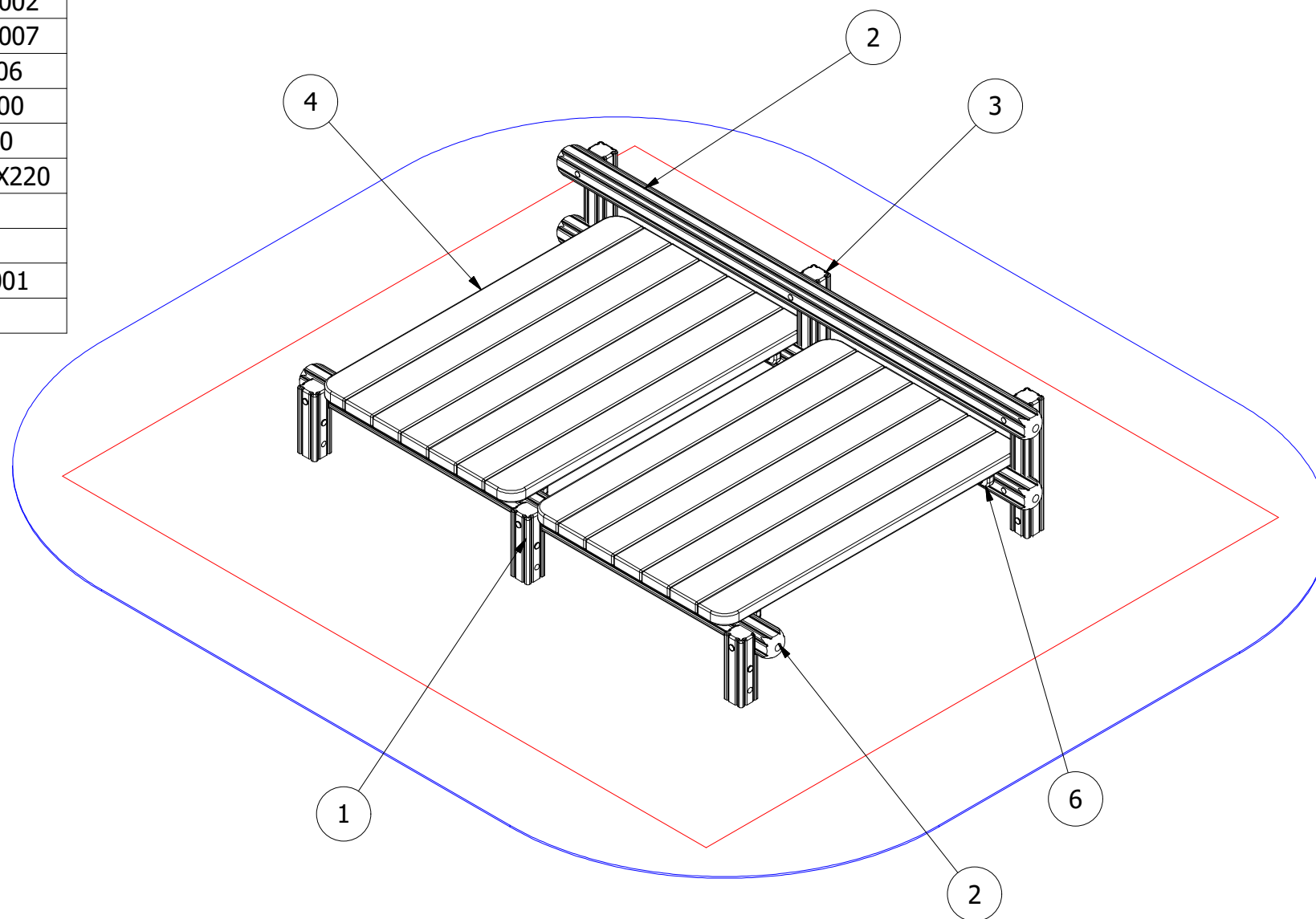


PARTS LIST

ITEM	QTY	PART NUMBER	DESCRIPTION	STOCK NUMBER
1	3	TB-200-335_B	400MM X 125MM (POST INSERT)	COMTIMSAF0001
2	3	TB-200-743	3300mm x 125mm SAFALOG	COMTIMSAF0001
3	3	TB-200-744_B	800MM X 125MM (POST INSERT)	COMTIMSAF0001
4	4	TB-200-745	2100 x 195 x 70	COMTIMSAW0002
5	10	TB-200-746	2100 x 195 x 70	COMTIMSAW0002
6	4	TB-200-747	1365 x 95 x 45	COMTIMSAW0007
7	6	MOD-600-121 GROUND FOOT (125)	GROUND FOOT (125)	SUBSTEMIS0006
8	28	M6 X 100 TORX WOODSCREW	100MM TORX WOODSCREW	COMA2WS6X100
9	8	M8 X 80 TORX WASHER HEAD	80MM WASHER SCREW	COMA2WH8X80
10	9	M12 X 220 COACH BOLT	M12 X 220 (DIN 603)	COMA2CBM12X220
11	9	M12 NYLOC NUT	M12 NYLOC NUT (DIN 985)	COMA2NNM12
12	9	M12 WASHER	M12 WASHER (DIN 125)	COMA2FWM12
13	17	30MM BOLT COVER	30MM BLACK CAP	COMPLACAP0001
14	6	300 x 300 x 400	0.036M ³ CONCRETE FOUNDATION	


FITNESS INDICATOR SIGN

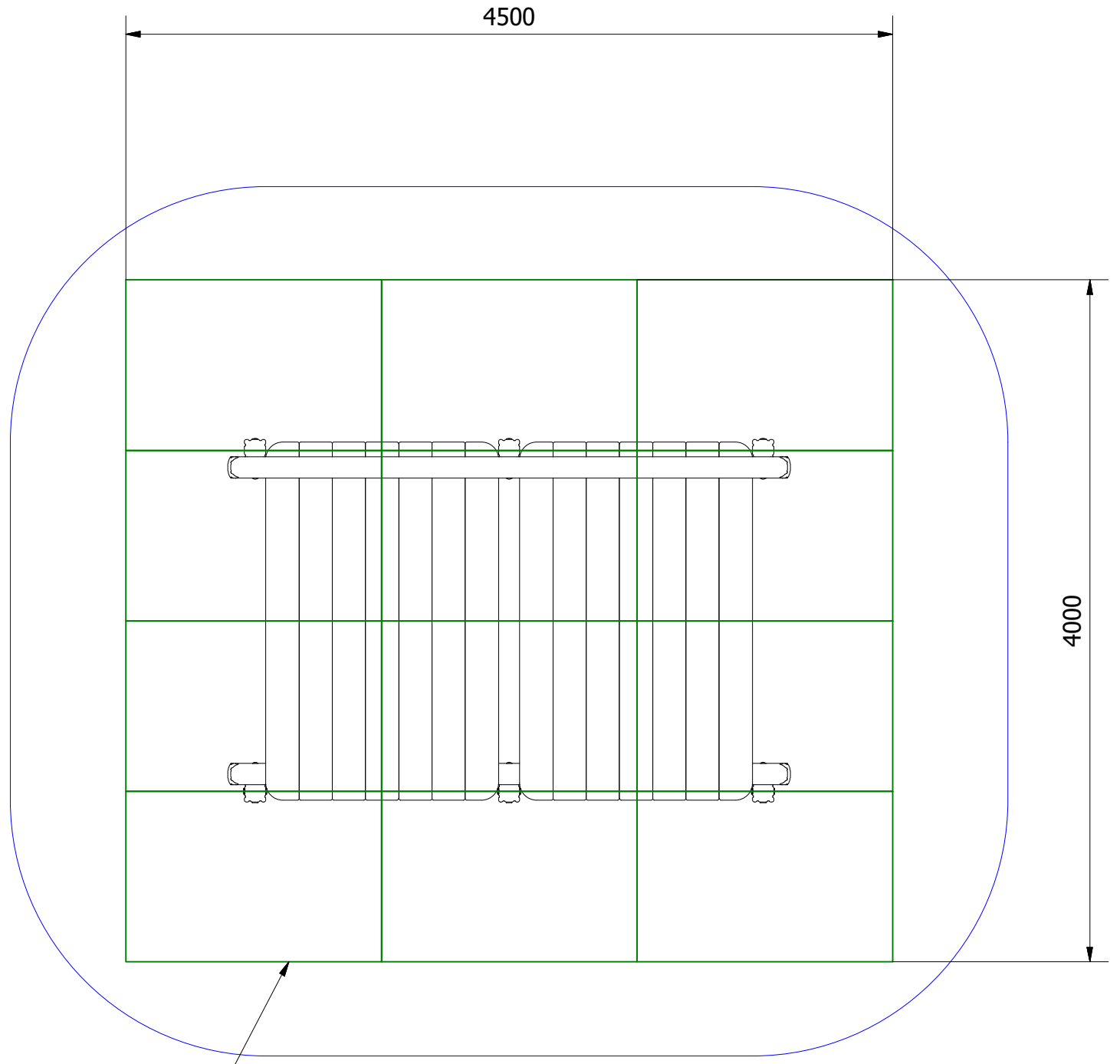
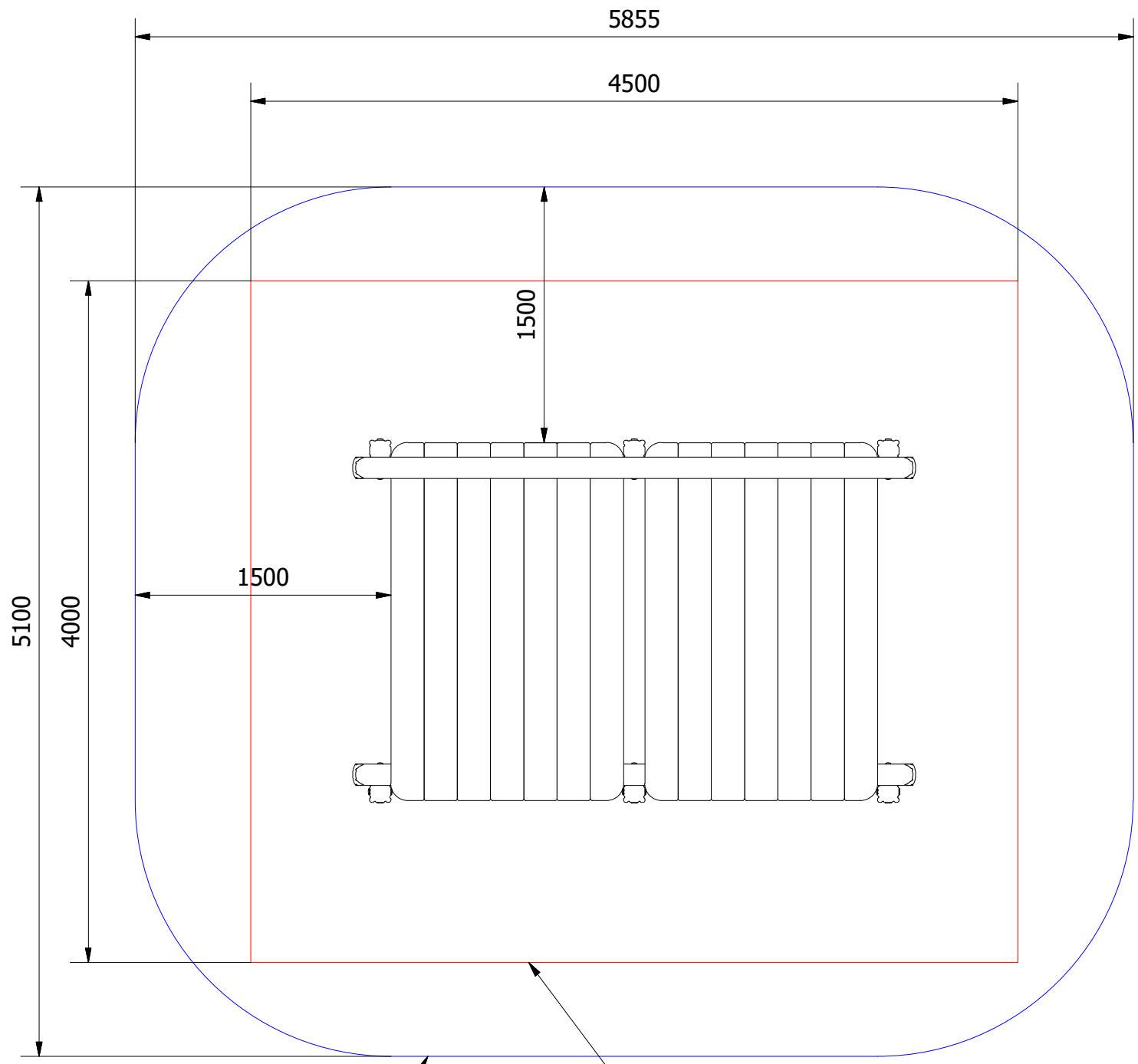
ITEM	QTY	PART NUMBER	DESCRIPTION
1	1	TB-200-399_B	1100 x 112mm (FC281650P)
2	1	PE-400-035	INDICATOR SIGN
3	1	MOD-600-116 GROUND FOOT	GROUND FOOT (112)
4	4	M3 X 25 POZI PAN SCREW	25MM POZI PAN SCREW
5	1	300 x 300 x 400	0.036M ³ CONCRETE FOUNDATION



NOTES:

STEELWORK: EXPORT - ALUMINIUM
 U.K - STAINLESS STEEL
 INDICATOR SIGN: EXPORT - COMSIGSIG0042
 U.K - COMSIGSIG0032


UNLESS OTHERWISE SPECIFIED: DIMENSIONS ARE IN MILLIMETERS TOLERANCES: LINEAR: ±2MM 1 DECIMAL PLACE: ±0.5MM ANGULAR: ±1°	PROPRIETARY AND CONFIDENTIAL THE INFORMATION CONTAINED IN THIS DRAWING IS THE SOLE PROPERTY OF FENLAND LEISURE PRODUCTS. ANY REPRODUCTION IN PART OR AS A WHOLE WITHOUT THE WRITTEN PERMISSION OF FENLAND LEISURE PRODUCTS IS PROHIBITED.	Title: PRO-500-184 PLATFORM SIT UPS (FC11)_SF	
		Product Range: FITNESS TRAIL	
		0.85M FFH	Date: 07/10/2020
		DO NOT SCALE FROM DRAWING	
		Tel: 01354 638359 www.onlineplaygrounds.co.uk	

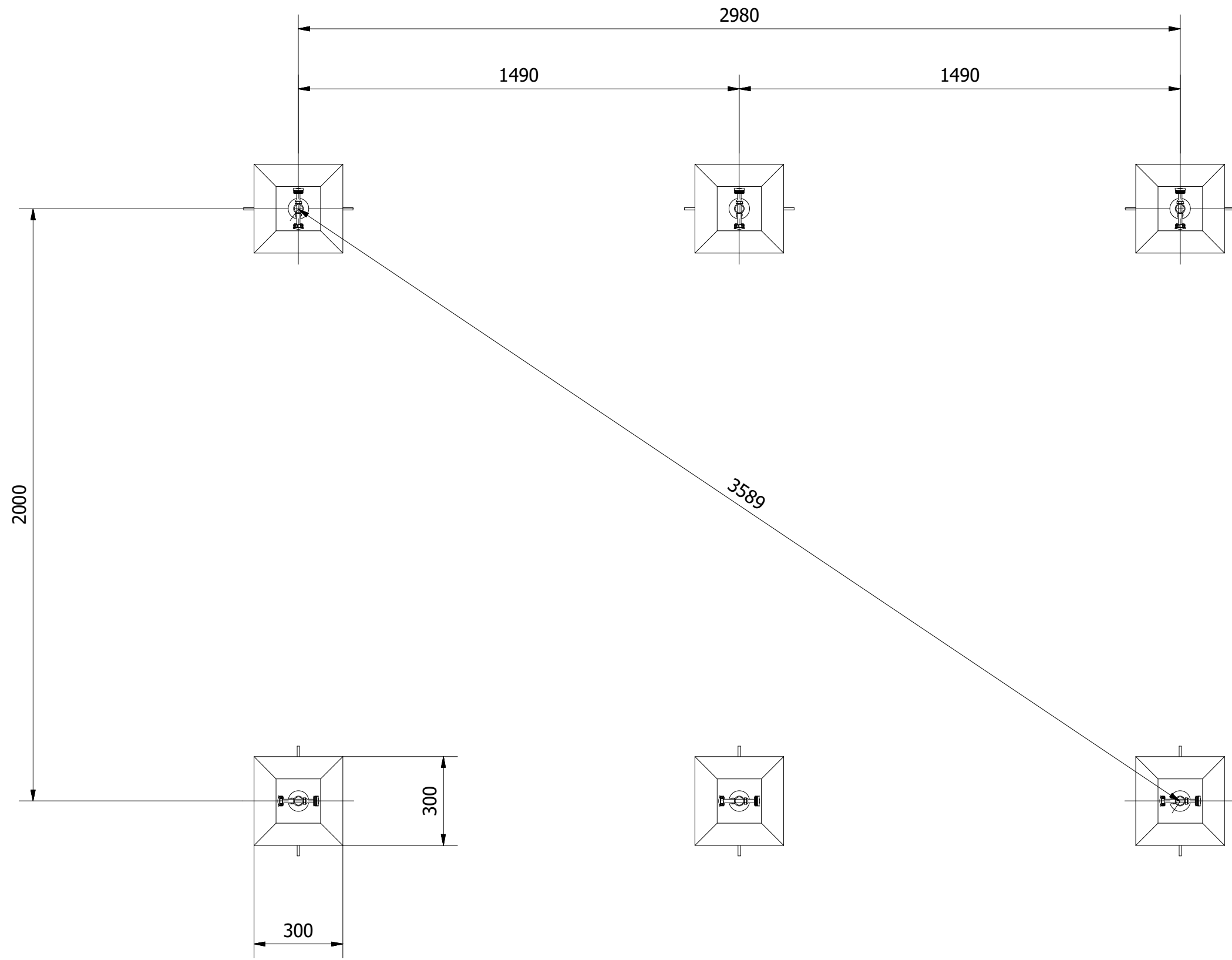


12 SAFAGRASS TILES (1.5 X 1.0)


WETPOUR AREA = 18.0M²
PERIMETER = 17.0 L/M

MIN SPACE

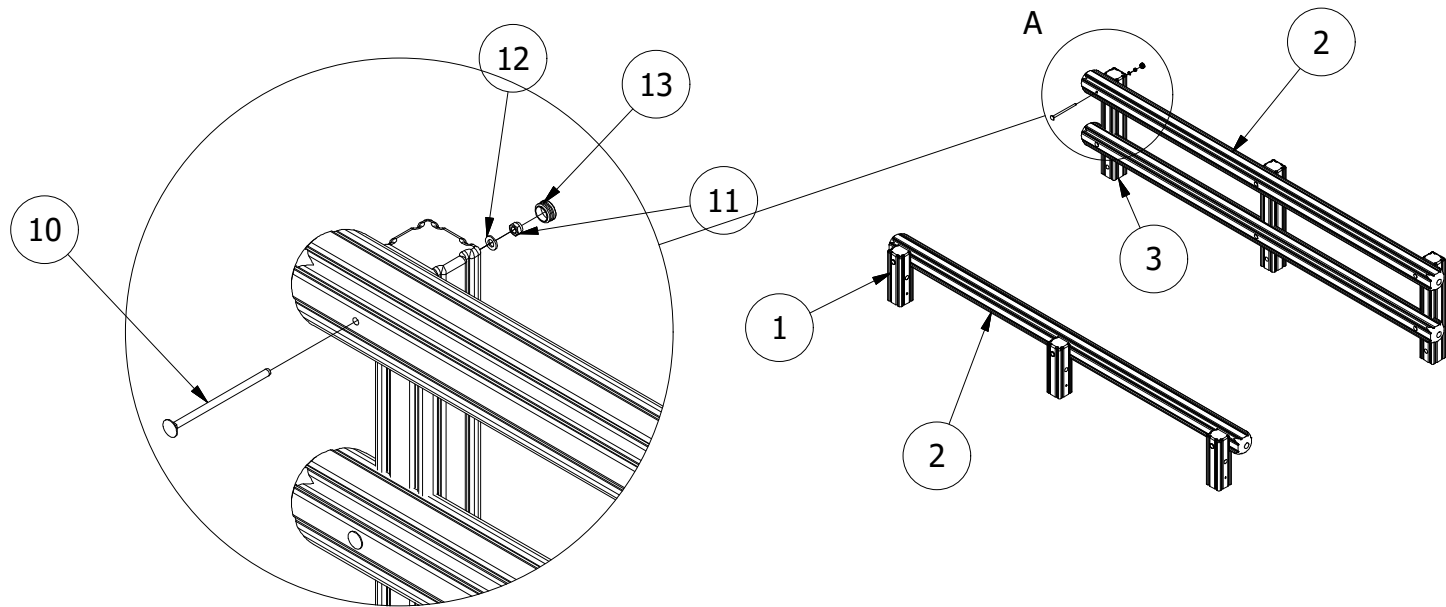
UNLESS OTHERWISE SPECIFIED: DIMENSIONS ARE IN MILLIMETERS TOLERANCES: LINEAR: ±2MM 1 DECIMAL PLACE: ±0.5MM ANGULAR: ±1°	PROPRIETARY AND CONFIDENTIAL THE INFORMATION CONTAINED IN THIS DRAWING IS THE SOLE PROPERTY OF FENLAND LEISURE PRODUCTS. ANY REPRODUCTION IN PART OR AS A WHOLE WITHOUT THE WRITTEN PERMISSION OF FENLAND LEISURE PRODUCTS IS PROHIBITED.	Title: PRO-500-184 PLATFORM SIT UPS (FC11)_SF	
		Product Range: FITNESS TRAIL	
		Date: 07/10/2020	
		Page: 2	
		A3	
		DO NOT SCALE FROM DRAWING	
		Tel: 01354 638359 www.onlineplaygrounds.co.uk	



ALL FOUNDATIONS 300 X 300 X 500 DEEP UNLESS OTHERWISE SPECIFIED

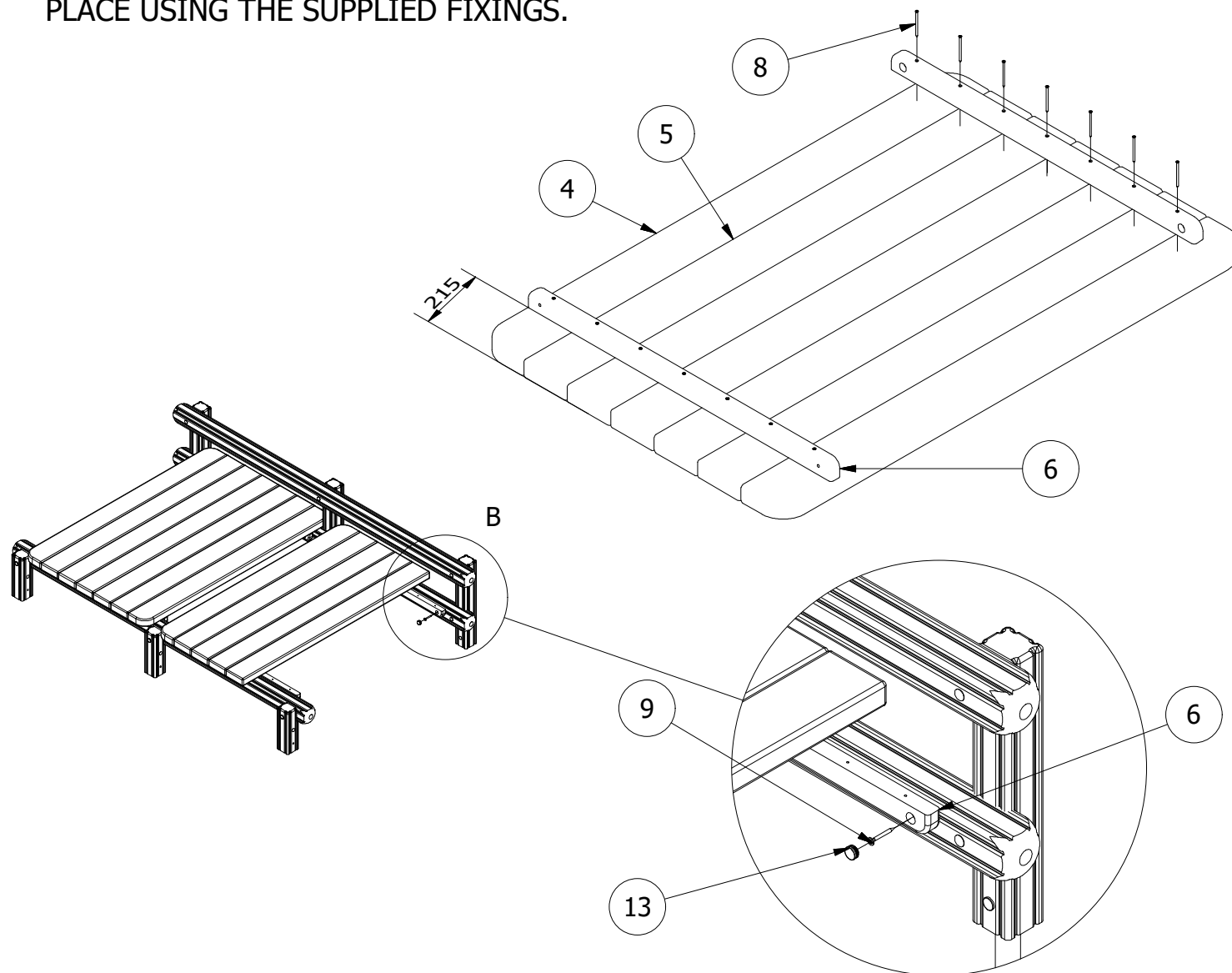
UNLESS OTHERWISE SPECIFIED: DIMENSIONS ARE IN MILLIMETERS TOLERANCES: LINEAR: ±2MM 1 DECIMAL PLACE: ±0.5MM ANGULAR: ±1°	PROPRIETARY AND CONFIDENTIAL THE INFORMATION CONTAINED IN THIS DRAWING IS THE SOLE PROPERTY OF FENLAND LEISURE PRODUCTS. ANY REPRODUCTION IN PART OR AS A WHOLE WITHOUT THE WRITTEN PERMISSION OF FENLAND LEISURE PRODUCTS IS PROHIBITED.	Title: PRO-500-184 PLATFORM SIT UPS (FC11)_SF	
		Product Range: FITNESS TRAIL	
		Date: 07/10/2020	
		Page: 3	
		A3	
		DO NOT SCALE FROM DRAWING	
		Tel: 01354 638359 www.onlineplaygrounds.co.uk	

1. AS SHOWN BELOW, CREATE THE TWO FRAMES WITH THE SUPPLIED BOLTS AND BRACE IN THE FOUNDATION HOLES.

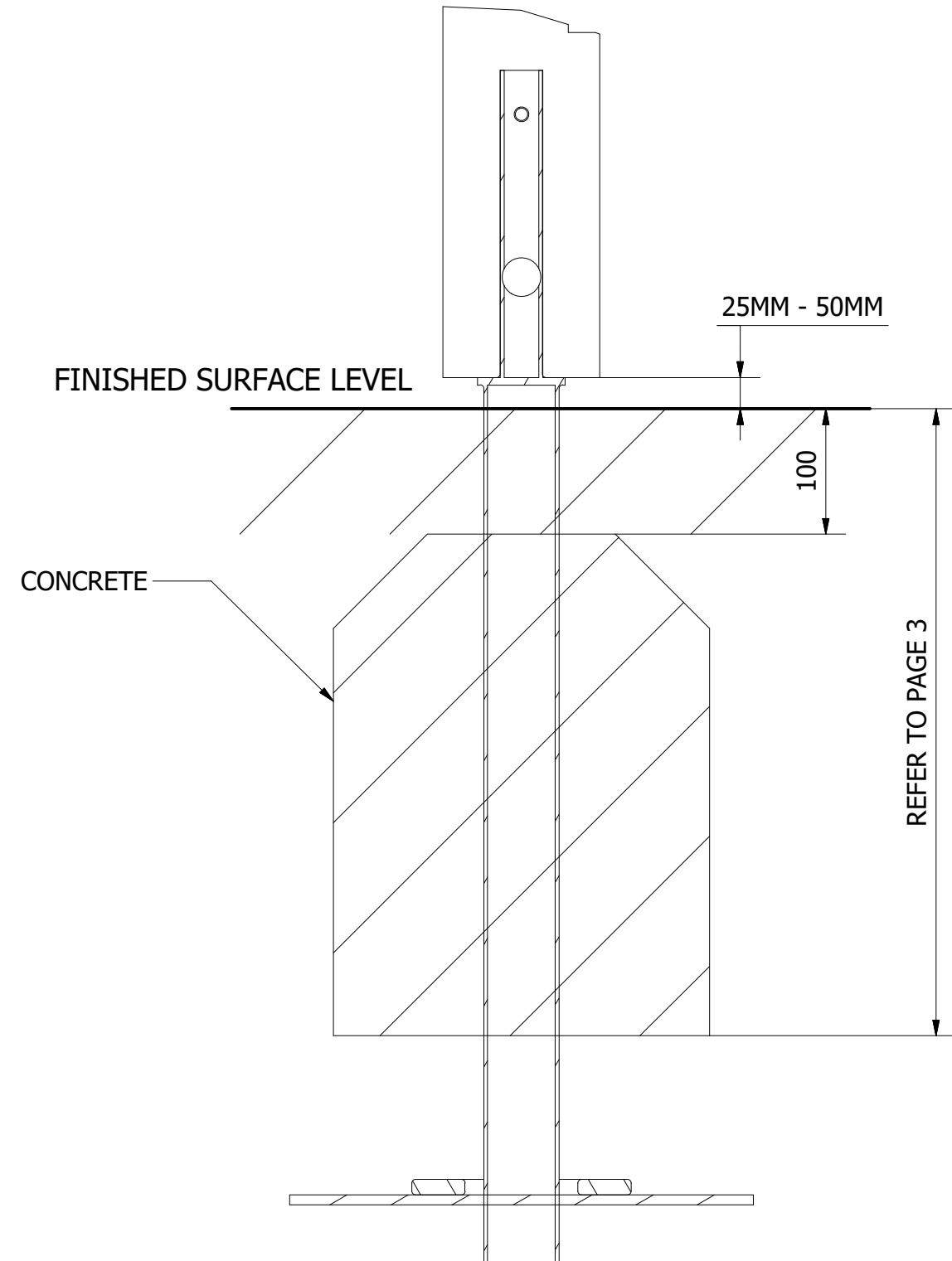


2. IF NOT SUPPLIED PRE-ASSEMBLED, ASSEMBLE THE SEATS AS DETAILED BELOW.

WITH THE SEATS ASSEMBLED, POSITION OVER THE TWO FRAMES AND SECURE IN PLACE USING THE SUPPLIED FIXINGS.



3. FINALLY, ENSURE THE UNIT IS LEVEL AND PLUMB. ALL FIXINGS HAVE BEEN TIGHTENED AND PROTECTIVE CAPS IN PLACE. ADD CONCRETE TO EACH FOUNDATION HOLE AND LEAVE FOR 48 HOURS



UNLESS OTHERWISE SPECIFIED:
DIMENSIONS ARE IN MILLIMETERS
TOLERANCES:
LINEAR: $\pm 2\text{MM}$
1 DECIMAL PLACE: $\pm 0.5\text{MM}$
ANGULAR: $\pm 1^\circ$

PROPRIETARY AND CONFIDENTIAL

THE INFORMATION CONTAINED IN THIS DRAWING IS THE SOLE PROPERTY OF FENLAND LEISURE PRODUCTS. ANY REPRODUCTION IN PART OR AS A WHOLE WITHOUT THE WRITTEN PERMISSION OF FENLAND LEISURE PRODUCTS IS PROHIBITED.

Title: PRO-500-184 PLATFORM SIT UPS (FC11)_SF

Product Range: FITNESS TRAIL

Date: 07/10/2020

Page: 4

A3



DO NOT SCALE FROM DRAWING

Tel: 01354 638359 www.onlineplaygrounds.co.uk