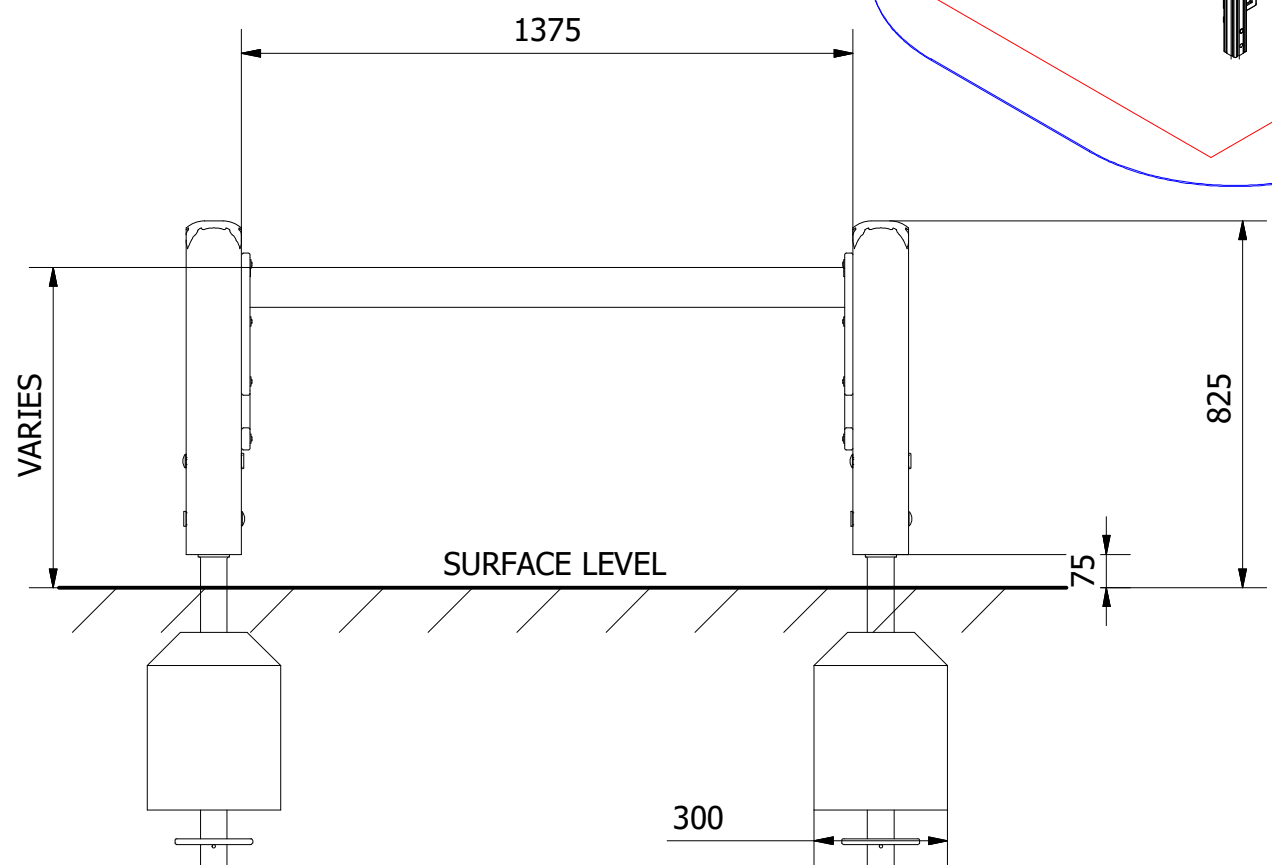
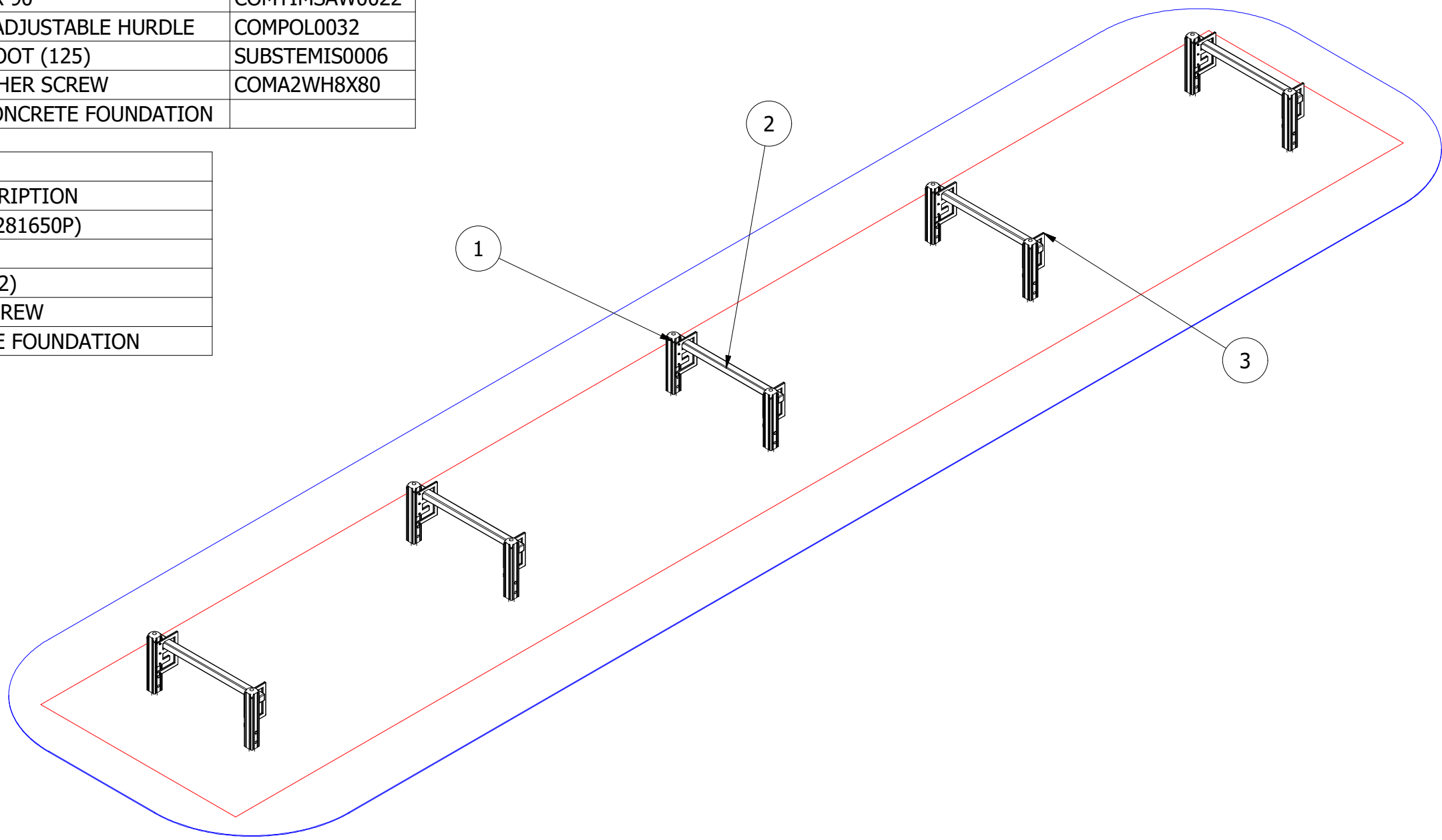


PARTS LIST

| ITEM | QTY | PART NUMBER | DESCRIPTION | STOCK NUMBER |
|------|-----|-------------------------------|---|---------------|
| 1 | 10 | TB-200-733_B | 750MM X 125MM (POST INSERT) | COMTIMSAF0001 |
| 2 | 5 | TB-200-742 | 1600 X 90 X 90 | COMTIMSAW0022 |
| 3 | 10 | PE-400-118 | 445 X 125 ADJUSTABLE HURDLE | COMPOL0032 |
| 4 | 10 | MOD-600-121 GROUND FOOT (125) | GROUND FOOT (125) | SUBSTEMIS0006 |
| 5 | 40 | M8 X 80 TORX WASHER HEAD | 80MM WASHER SCREW | COMA2WH8X80 |
| 6 | 10 | 300 x 300 x 400 | 0.036M ³ CONCRETE FOUNDATION | |

FITNESS INDICATOR SIGN

| ITEM | QTY | PART NUMBER | DESCRIPTION |
|------|-----|-------------------------|---|
| 1 | 1 | TB-200-399_B | 1100 x 112mm (FC281650P) |
| 2 | 1 | PE-400-035 | INDICATOR SIGN |
| 3 | 1 | MOD-600-116 GROUND FOOT | GROUND FOOT (112) |
| 4 | 4 | M3 X 25 POZI PAN SCREW | 25MM POZI PAN SCREW |
| 5 | 1 | 300 x 300 x 400 | 0.036M ³ CONCRETE FOUNDATION |



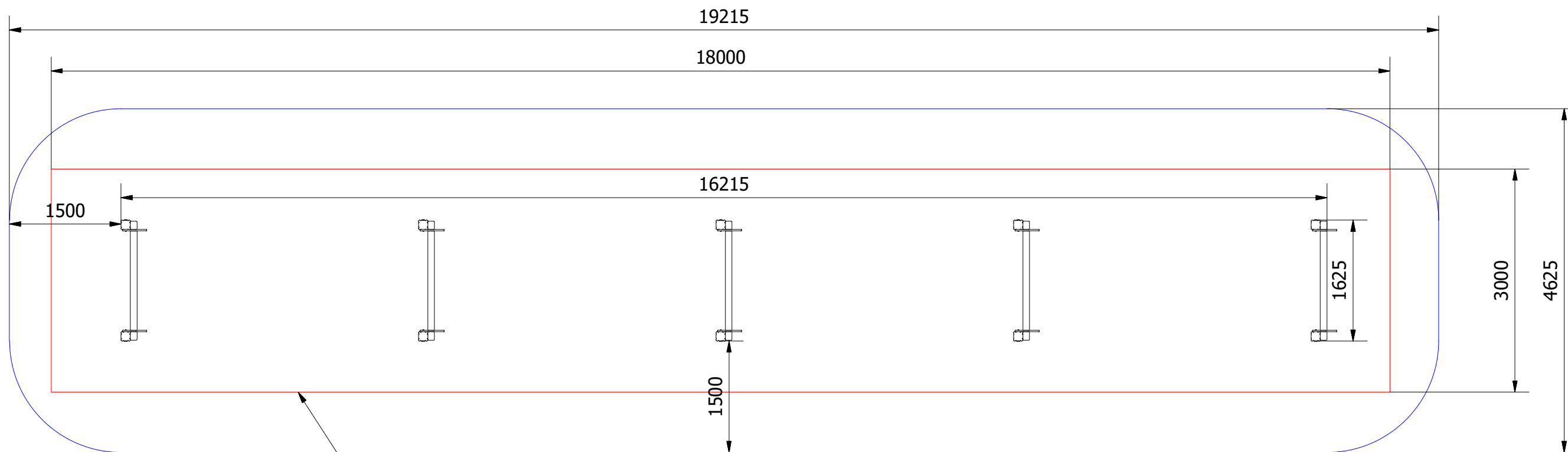
NOTES:
 STEELWORK: EXPORT - ALUMINIUM
 U.K - STAINLESS STEEL
 INDICATOR SIGN: EXPORT - COMSIGSIG0042
 U.K - COMSIGSIG0032

UNLESS OTHERWISE SPECIFIED:
 DIMENSIONS ARE IN MILLIMETERS
 TOLERANCES:
 LINEAR: ±2MM
 1 DECIMAL PLACE: ±0.5MM
 ANGULAR: ±1°

PROPRIETARY AND CONFIDENTIAL
 THE INFORMATION CONTAINED IN THIS
 DRAWING IS THE SOLE PROPERTY OF
 FENLAND LEISURE PRODUCTS. ANY
 REPRODUCTION IN PART OR AS A WHOLE
 WITHOUT THE WRITTEN PERMISSION
 OF FENLAND
 LEISURE PRODUCTS IS PROHIBITED.

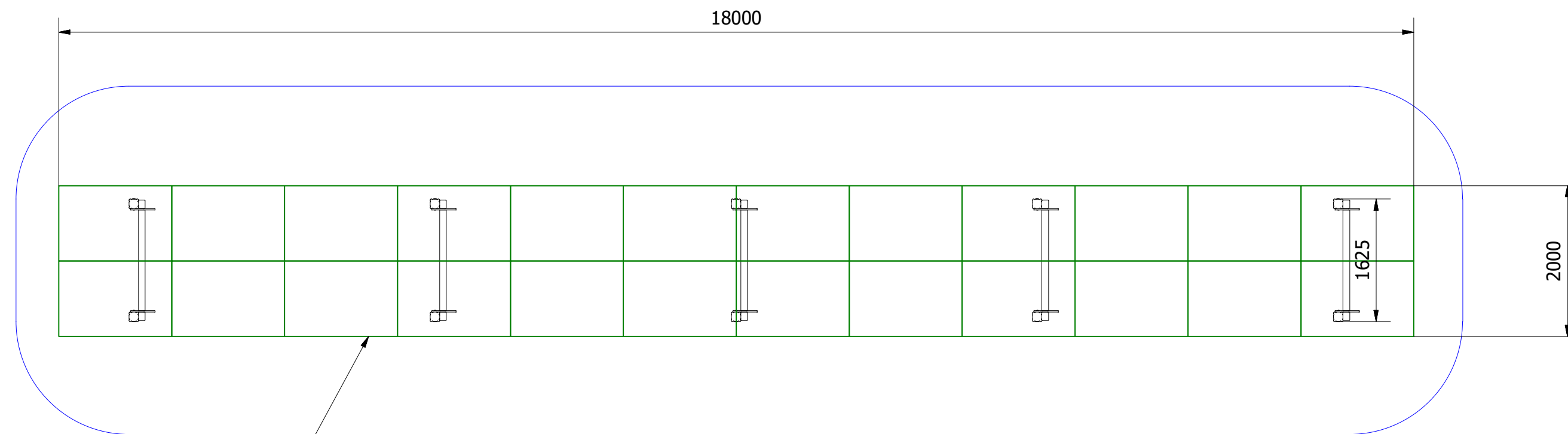


| | |
|---|------------------|
| Title: PRO-500-183 ADJUSTABLE HURDLES (FC24) | |
| Product Range: FITNESS TRAIL | |
| <0.8 FFH | Date: 03/03/2021 |
| Page: A3 | |
| DO NOT SCALE FROM DRAWING | |
| Tel: 01354 638359 www.onlineplaygrounds.co.uk | |



MIN SPACE

WETPOUR AREA = 54.0M²
PERIMETER = 42.0 L/M



24 SAFAGRASS TILES (1.5M X 1.0M)

UNLESS OTHERWISE SPECIFIED:
DIMENSIONS ARE IN MILLIMETERS
TOLERANCES:
LINEAR: ±2MM
1 DECIMAL PLACE: ±0.5MM
ANGULAR: ±1°

PROPRIETARY AND CONFIDENTIAL
THE INFORMATION CONTAINED IN THIS
DRAWING IS THE SOLE PROPERTY OF
FENLAND LEISURE PRODUCTS. ANY
REPRODUCTION IN PART OR AS A WHOLE
WITHOUT THE WRITTEN PERMISSION
OF FENLAND
LEISURE PRODUCTS IS PROHIBITED.

Title: PRO-500-183 ADJUSTABLE HURDLES (FC24)

Product Range: FITNESS TRAIL

Date:
03/03/2021

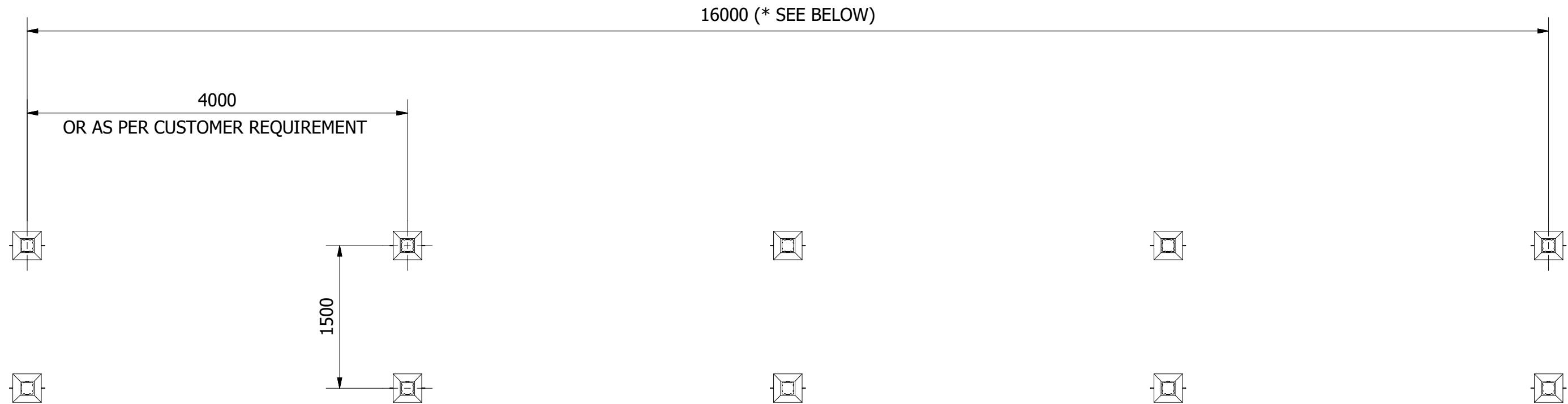
Page:

A3




DO NOT SCALE FROM DRAWING

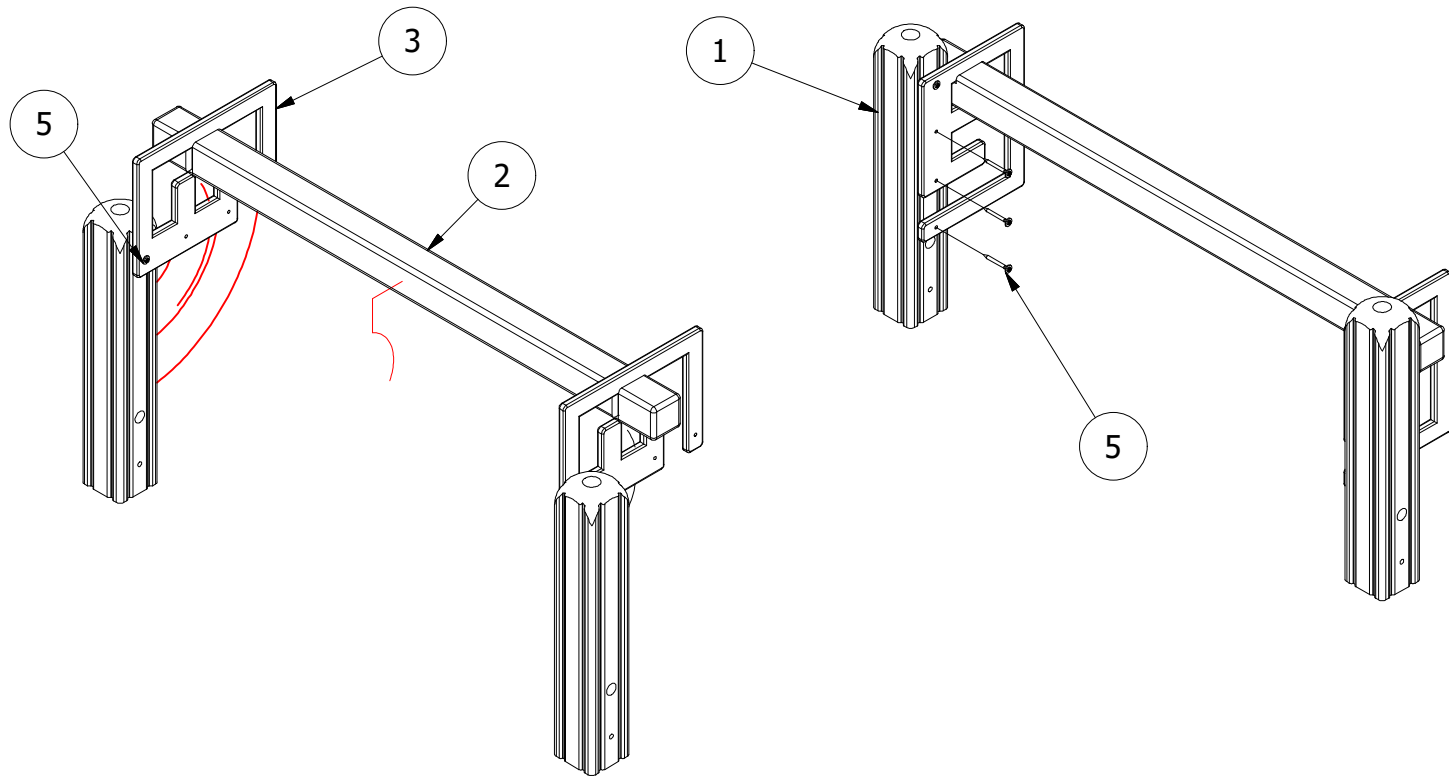
Tel: 01354 638359 www.onlineplaygrounds.co.uk



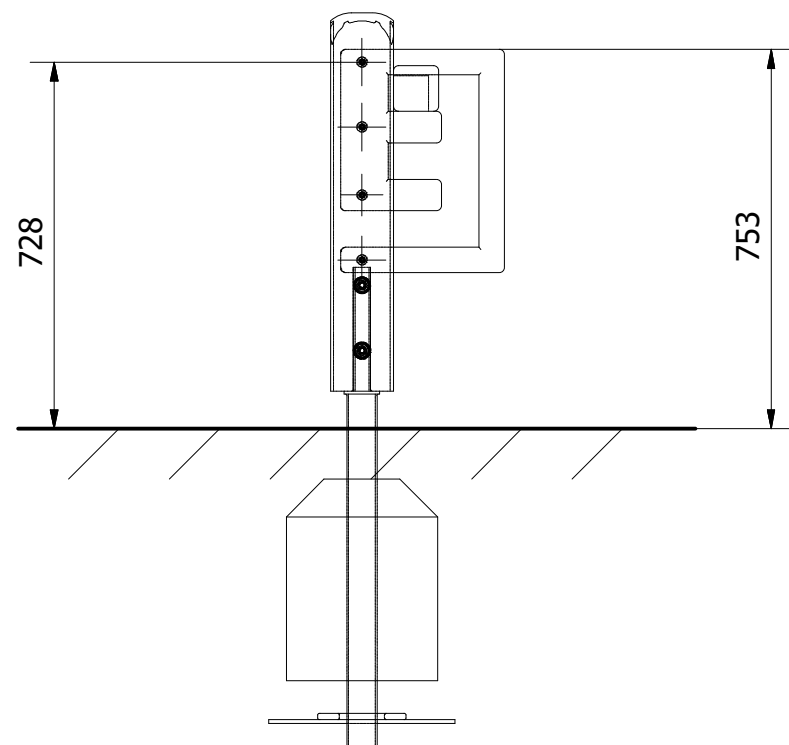
ALL FOUNDATIONS 300 X 300 X 500 DEEP UNLESS OTHERWISE SPECIFIED

| | | | |
|--|---|--|--|
| UNLESS OTHERWISE SPECIFIED: DIMENSIONS ARE IN MILLIMETERS TOLERANCES: LINEAR: ±2MM 1 DECIMAL PLACE: ±0.5MM ANGULAR: ±1° | PROPRIETARY AND CONFIDENTIAL THE INFORMATION CONTAINED IN THIS DRAWING IS THE SOLE PROPERTY OF FENLAND LEISURE PRODUCTS. ANY REPRODUCTION IN PART OR AS A WHOLE WITHOUT THE WRITTEN PERMISSION OF FENLAND LEISURE PRODUCTS IS PROHIBITED. | Title: PRO-500-183 ADJUSTABLE HURDLES (FC24) | |
| | | Product Range: FITNESS TRAIL | |
|  | | Date: 03/03/2021 | |
| | | Page: A3 | |
| | | DO NOT SCALE FROM DRAWING Tel: 01354 638359 www.onlineplaygrounds.co.uk | |

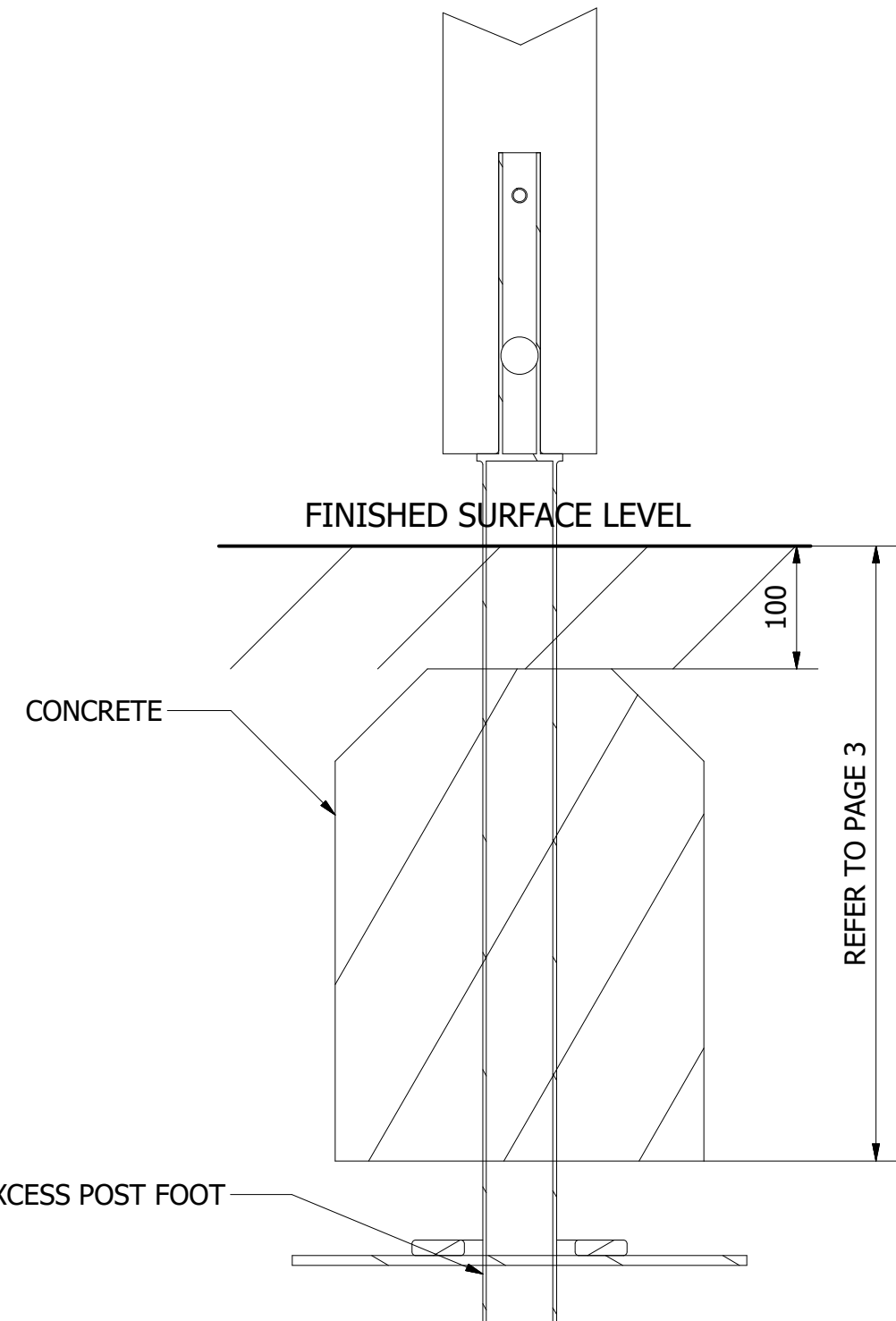
1. AS SHOW BELOW, POSITION THE TWO UPRIGHT TIMBERS INTO THE FOUNDATION HOLES. LOOSELY SECURE THE TOP FIXINGS TO THE TOP HOLE OF THE ADJUSTABLE HDPE. POSITION THE HURDLE TIMBER (ITEM 2) INSIDE THE FRAME, ROTATE DOWN AND SECURE THE REMAINING FIXINGS IN PLACE.



2. CONTINUE THE SAME STEPS FOR THE REMAINING HURDLES.



3. FINALLY, ENSURE THE UNIT IS LEVEL AND PLUMB. ALL FIXINGS HAVE BEEN TIGHTENED AND PROTECTIVE CAPS IN PLACE. ADD CONCRETE TO EACH FOUNDATION HOLE AND LEAVE FOR 48 HOURS



UNLESS OTHERWISE SPECIFIED:
DIMENSIONS ARE IN MILLIMETERS
TOLERANCES:
LINEAR: $\pm 2\text{MM}$
1 DECIMAL PLACE: $\pm 0.5\text{MM}$
ANGULAR: $\pm 1^\circ$

PROPRIETARY AND CONFIDENTIAL

THE INFORMATION CONTAINED IN THIS DRAWING IS THE SOLE PROPERTY OF FENLAND LEISURE PRODUCTS. ANY REPRODUCTION IN PART OR AS A WHOLE WITHOUT THE WRITTEN PERMISSION OF FENLAND LEISURE PRODUCTS IS PROHIBITED.

Title: PRO-500-183 ADJUSTABLE HURDLES (FC24)

Product Range: FITNESS TRAIL

Date:
03/03/2021

Page:

A3



DO NOT SCALE FROM DRAWING

Tel: 01354 638359 www.onlineplaygrounds.co.uk