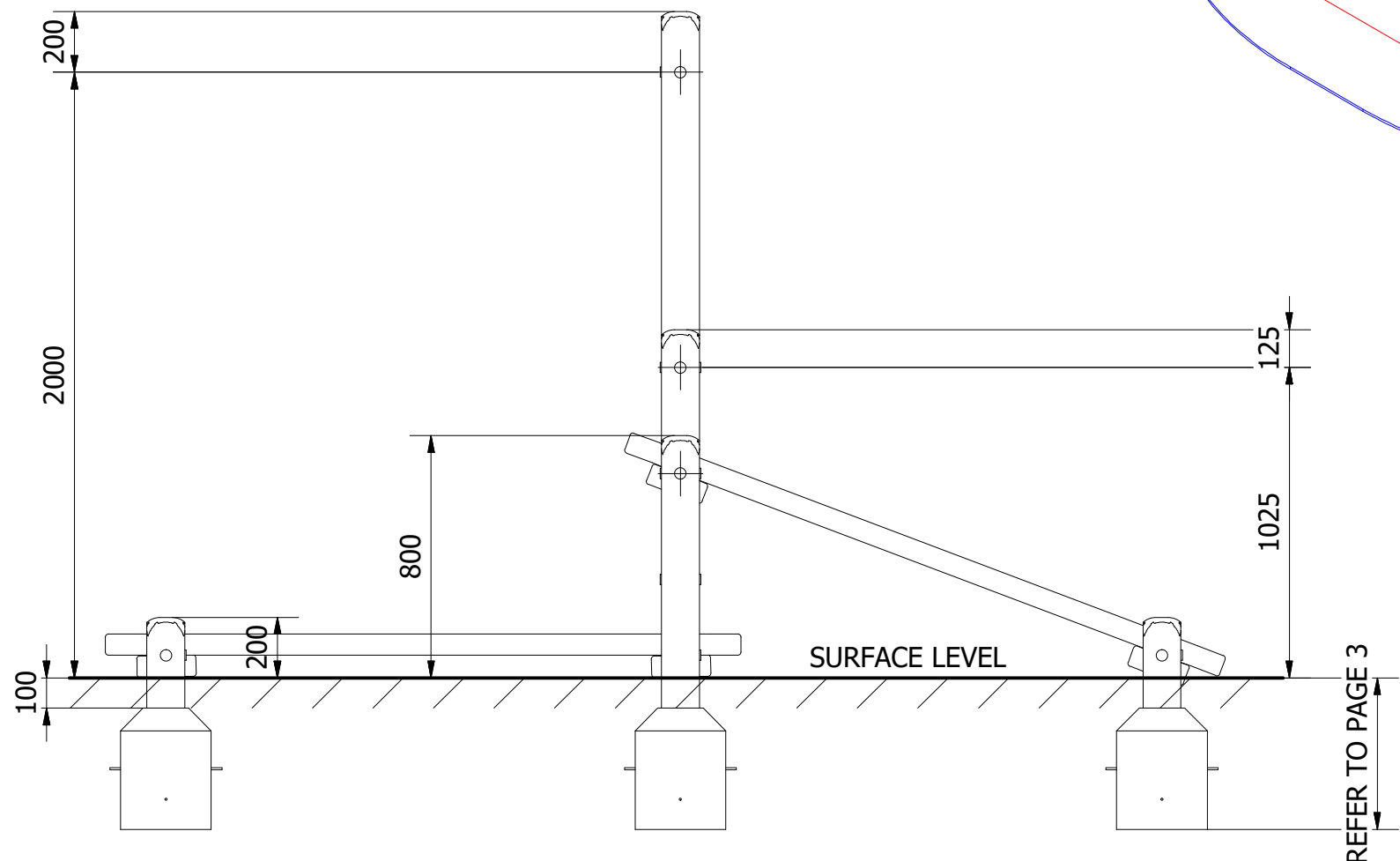
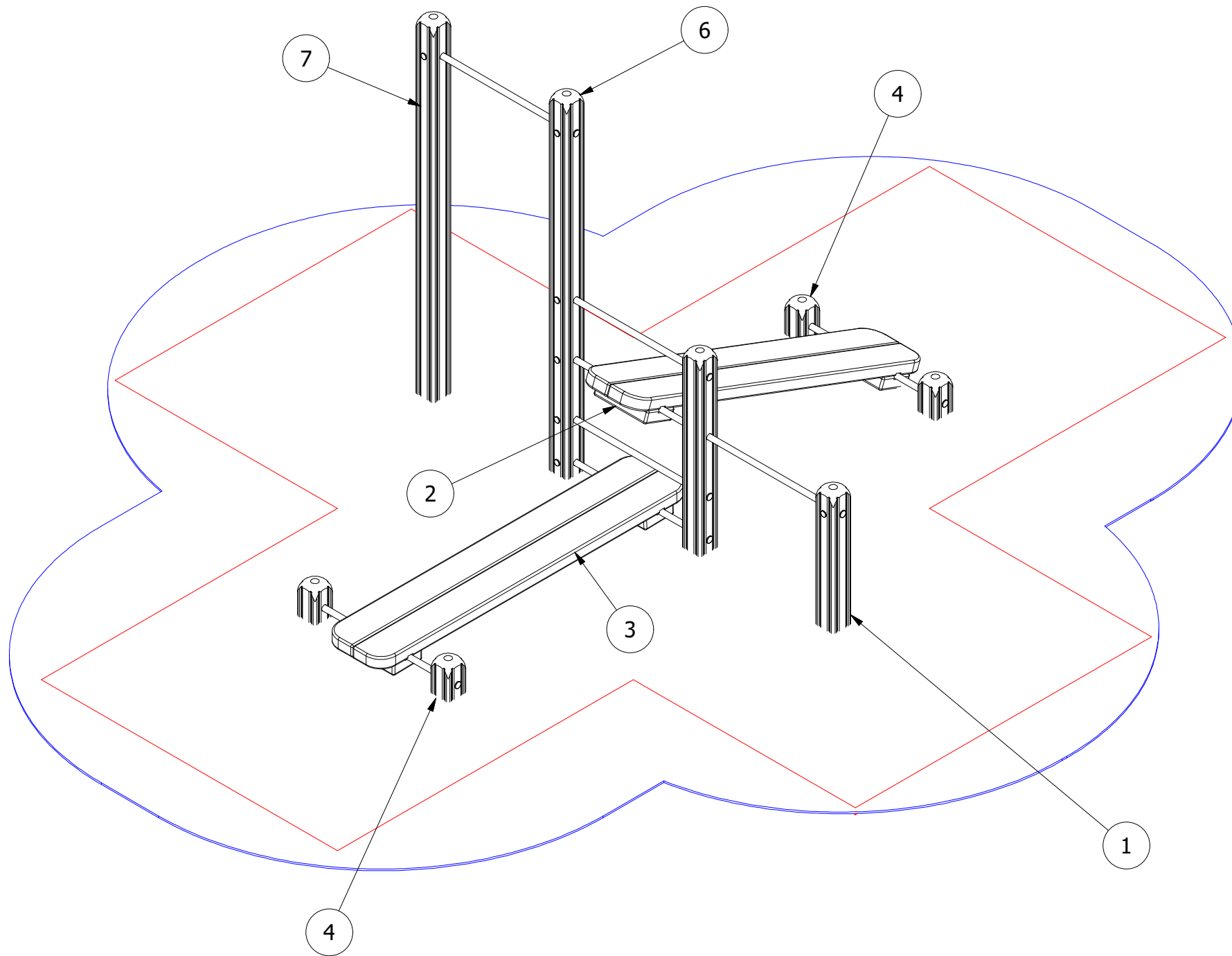


PARTS LIST

ITEM	QTY	PART NUMBER	DESCRIPTION
1	1	TB-200-342	1300mm x 125mm SAFALOG
2	4	TB-200-347	350 x 195 x 70
3	4	TB-200-737	2100 x 195 x 70
4	4	TB-200-738	700mm x 125mm SAFALOG
5	1	TB-200-739	1650mm x 125mm SAFALOG
6	1	TB-200-740	2700mm x 125mm SAFALOG
7	1	TB-200-741	2700mm x 125mm SAFALOG
8	6	MT-300-041	960 X 31.75 DIA (6063 ALU)
9	1	MT-300-042	1860 X 31.75 DIA (6063 ALU)
10	15	M8 X 80 TORX WASHER HEAD	80MM WASHER SCREW
11	32	M6 X 100 TORX WOODSCREW	100MM TORX WOODSCREW
12	15	30MM BOLT COVER	30MM BLACK CAP
13	14	34MM BOLT COVER	34MM CAP
14	16	GROUND IRON	FOUNDATION GROUND IRON
15	8	300 x 300 x 400	0.036M ³ CONCRETE FOUNDATION

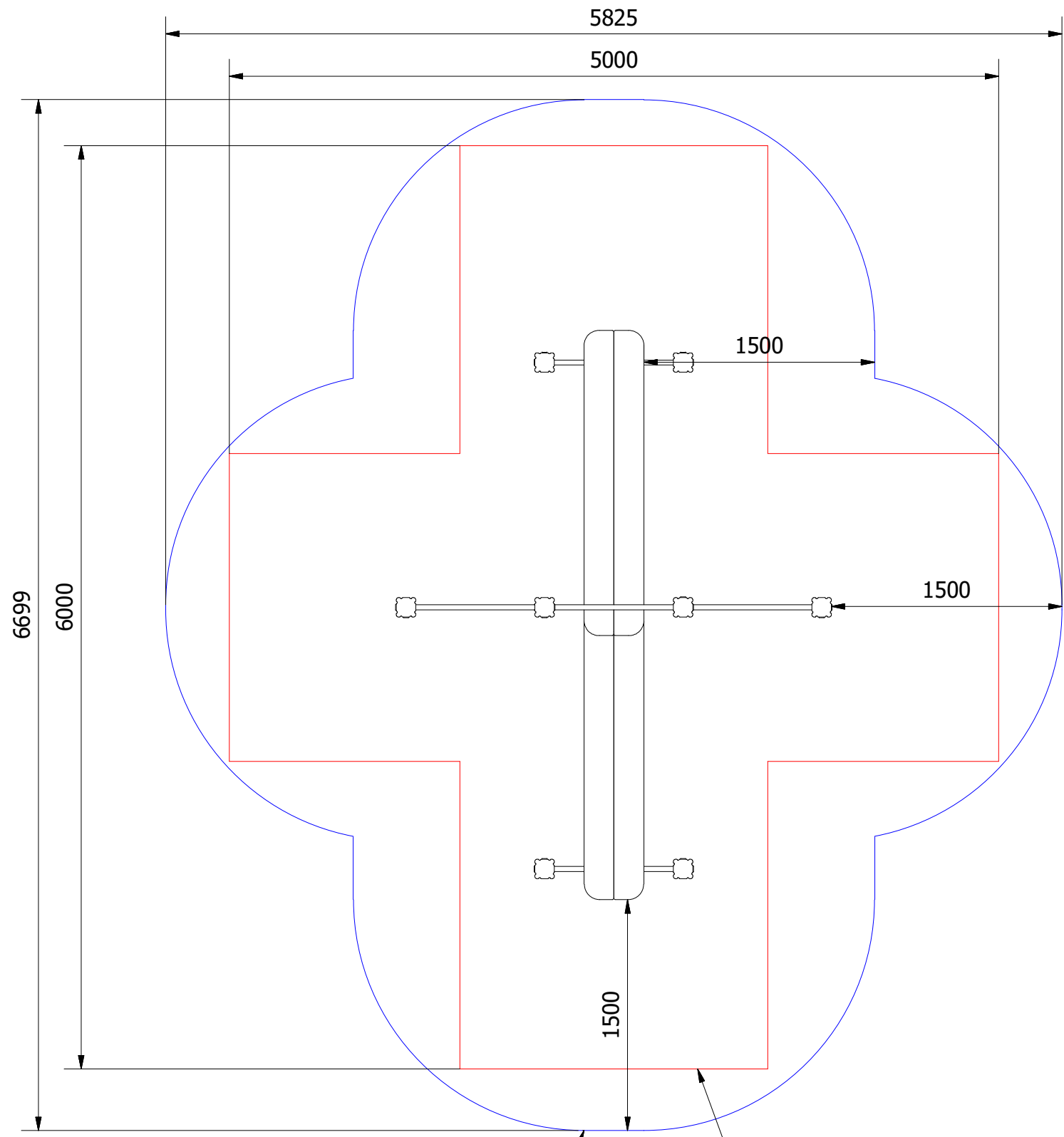
FITNESS INDICATOR SIGN

ITEM	QTY	PART NUMBER	DESCRIPTION
1	1	TB-200-399	1650 x 112mm (FC281650P)
2	1	PE-400-035	COMSIGSIG0032
3	4	M3 X 25 POZI PAN SCREW	COMHARSTA0009
4	1	GROUND IRON	FOUNDATION GROUND IRON
5	1	300 x 300 x 400	0.036M ³ CONCRETE FOUNDATION



NOTES:
STEELWORK: EXPORT - ALUMINIUM
 U.K - STAINLESS STEEL
INDICATOR SIGN: EXPORT - COMSIGSIG0042
 U.K - COMSIGSIG0032

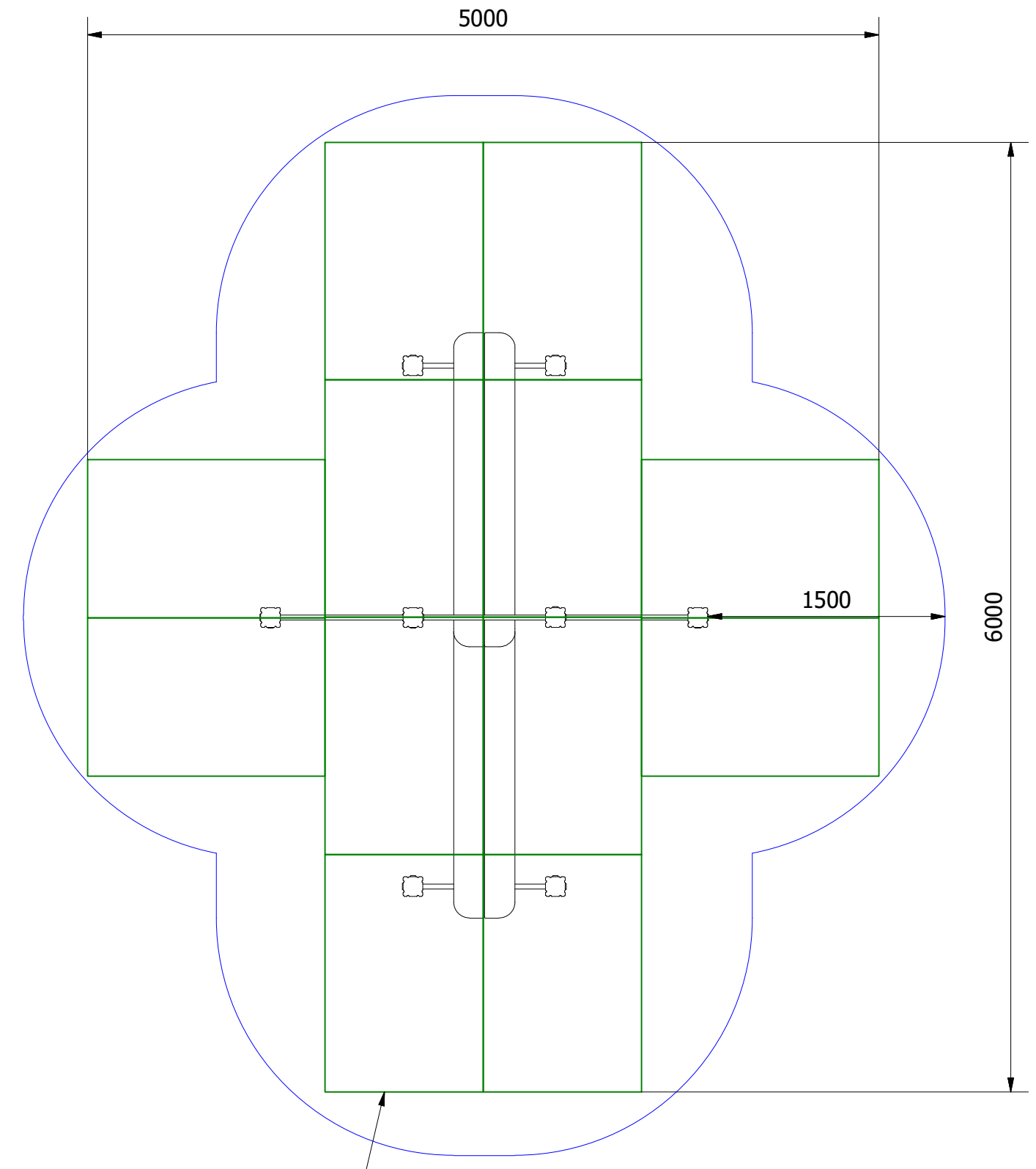
UNLESS OTHERWISE SPECIFIED: DIMENSIONS ARE IN MILLIMETERS TOLERANCES: LINEAR: ±2MM 1 DECIMAL PLACE: ±0.5MM ANGULAR: ±1°	PROPRIETARY AND CONFIDENTIAL THE INFORMATION CONTAINED IN THIS DRAWING IS THE SOLE PROPERTY OF FENLAND LEISURE PRODUCTS. ANY REPRODUCTION IN PART OR AS A WHOLE WITHOUT THE WRITTEN PERMISSION OF FENLAND LEISURE PRODUCTS IS PROHIBITED.	Title: PRO-500-180 GROUP FITNESS STATION	
		Product Range: FITNESS TRAIL	
		1.0M FFH	Date: 01/10/2020
		DO NOT SCALE FROM DRAWING	
Tel: 01354 638359 www.onlineplaygrounds.co.uk		Page: A3	



MIN SPACE

WETPOUR AREA = 18.0M²
PERIMETER = 22.0 L/M

12 SAFAGRASS TILES (1.5 X 1.0)

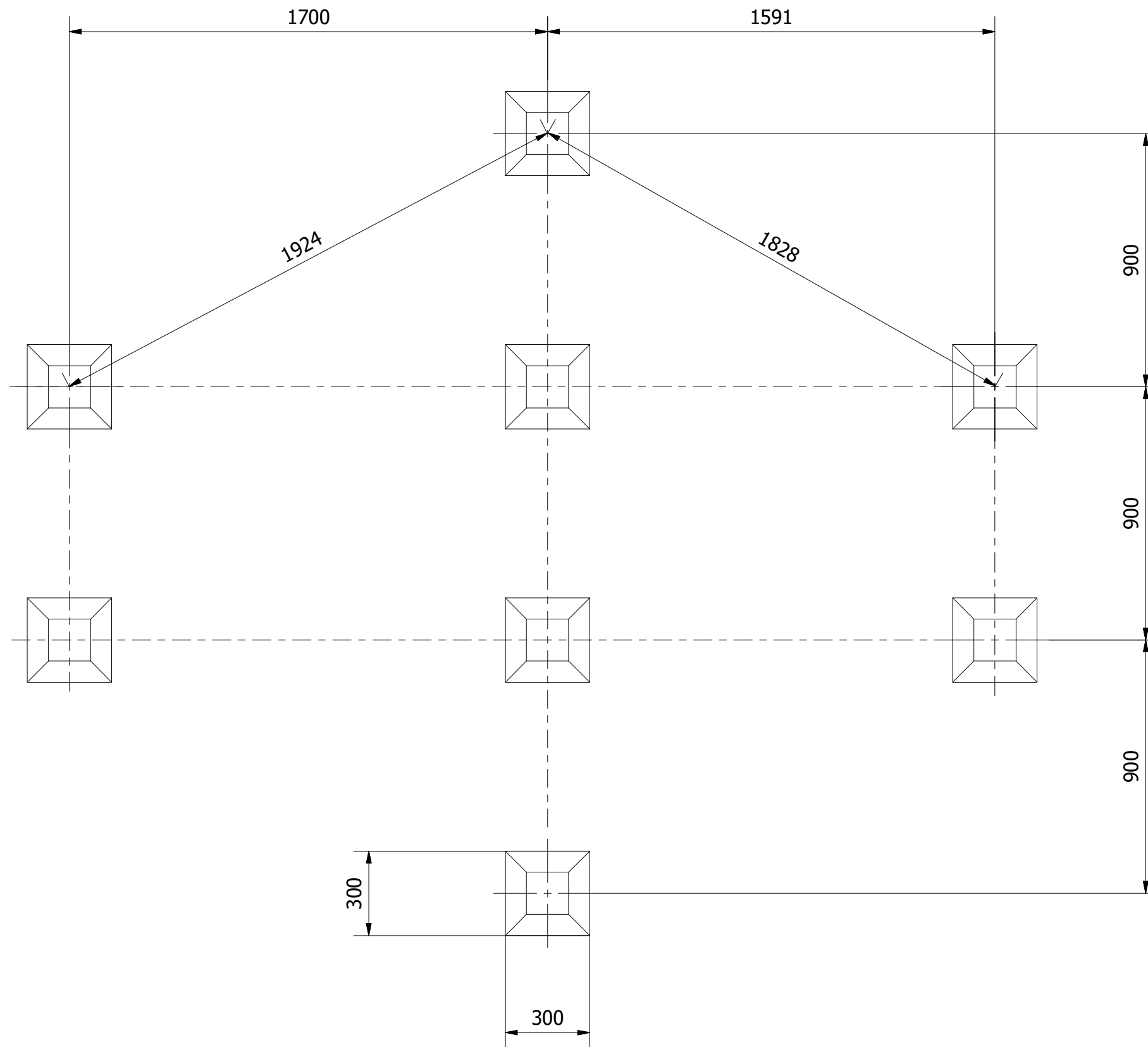


UNLESS OTHERWISE SPECIFIED:
DIMENSIONS ARE IN MILLIMETERS
TOLERANCES:
LINEAR: ±2MM
1 DECIMAL PLACE: ±0.5MM
ANGULAR: ±1°

PROPRIETARY AND CONFIDENTIAL
THE INFORMATION CONTAINED IN THIS
DRAWING IS THE SOLE PROPERTY OF
FENLAND LEISURE PRODUCTS. ANY
REPRODUCTION IN PART OR AS A WHOLE
WITHOUT THE WRITTEN PERMISSION
OF FENLAND
LEISURE PRODUCTS IS PROHIBITED.

Title: PRO-500-180 GROUP FITNESS STATION	
Product Range: FITNESS TRAIL	
Date: 01/10/2020	DO NOT SCALE FROM DRAWING
Page: A3	
Tel: 01354 638359 www.onlineplaygrounds.co.uk	





ALL FOUNDATIONS 300 X 300 X 500 DEEP UNLESS OTHERWISE SPECIFIED

UNLESS OTHERWISE SPECIFIED:
DIMENSIONS ARE IN MILLIMETERS
TOLERANCES:
LINEAR: ±2MM
1 DECIMAL PLACE: ±0.5MM
ANGULAR: ±1°

PROPRIETARY AND CONFIDENTIAL
THE INFORMATION CONTAINED IN THIS
DRAWING IS THE SOLE PROPERTY OF
FENLAND LEISURE PRODUCTS. ANY
REPRODUCTION IN PART OR AS A WHOLE
WITHOUT THE WRITTEN PERMISSION
OF FENLAND
LEISURE PRODUCTS IS PROHIBITED.

Title: PRO-500-180 GROUP FITNESS STATION

Product Range: FITNESS TRAIL

Date:
01/10/2020

Page:

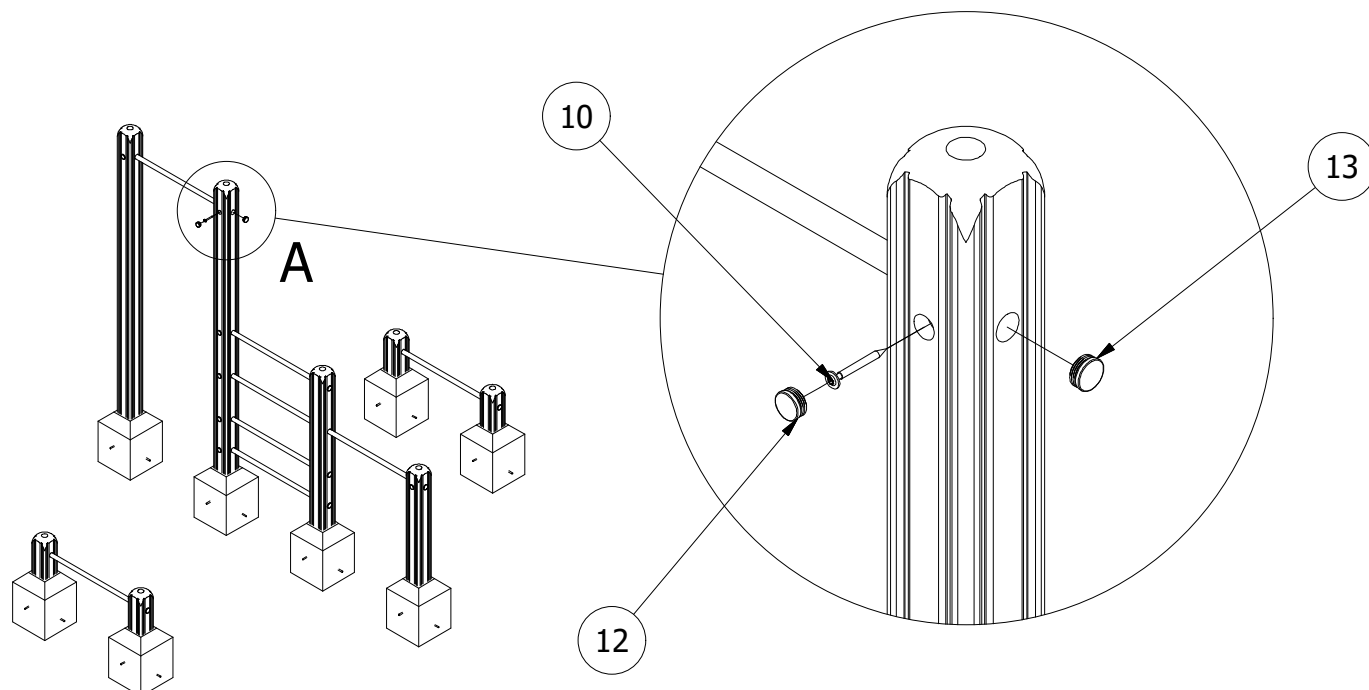
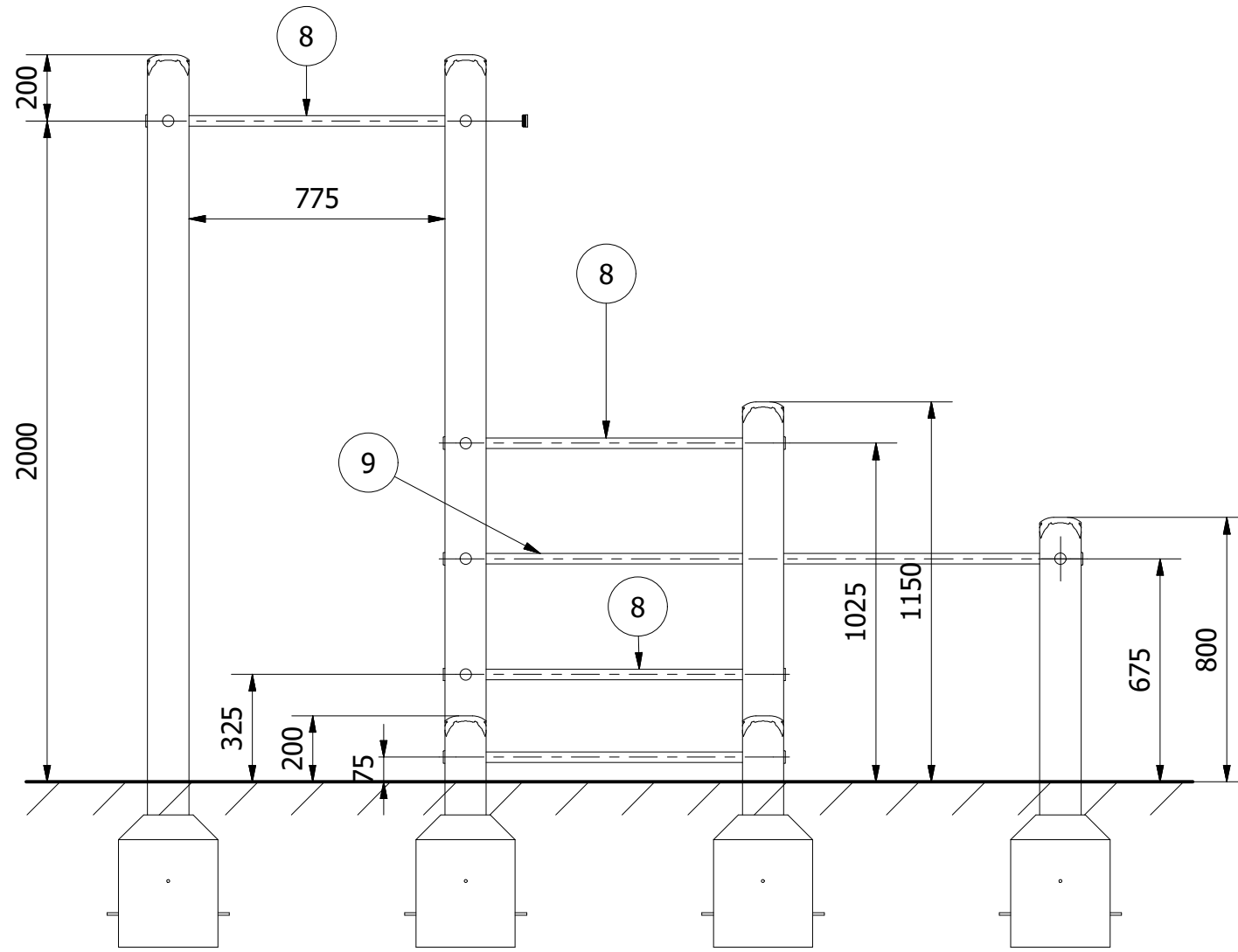
A3



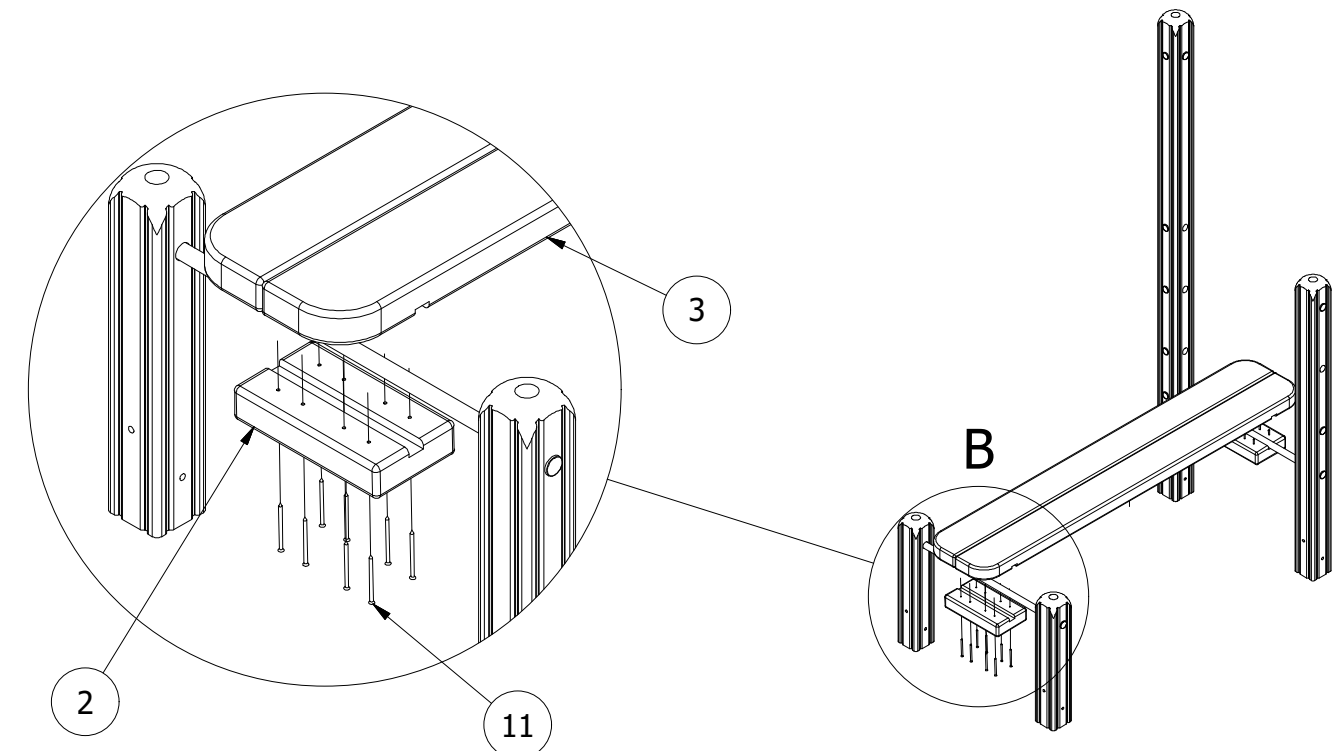
DO NOT SCALE FROM DRAWING

Tel: 01354 638359 www.onlineplaygrounds.co.uk

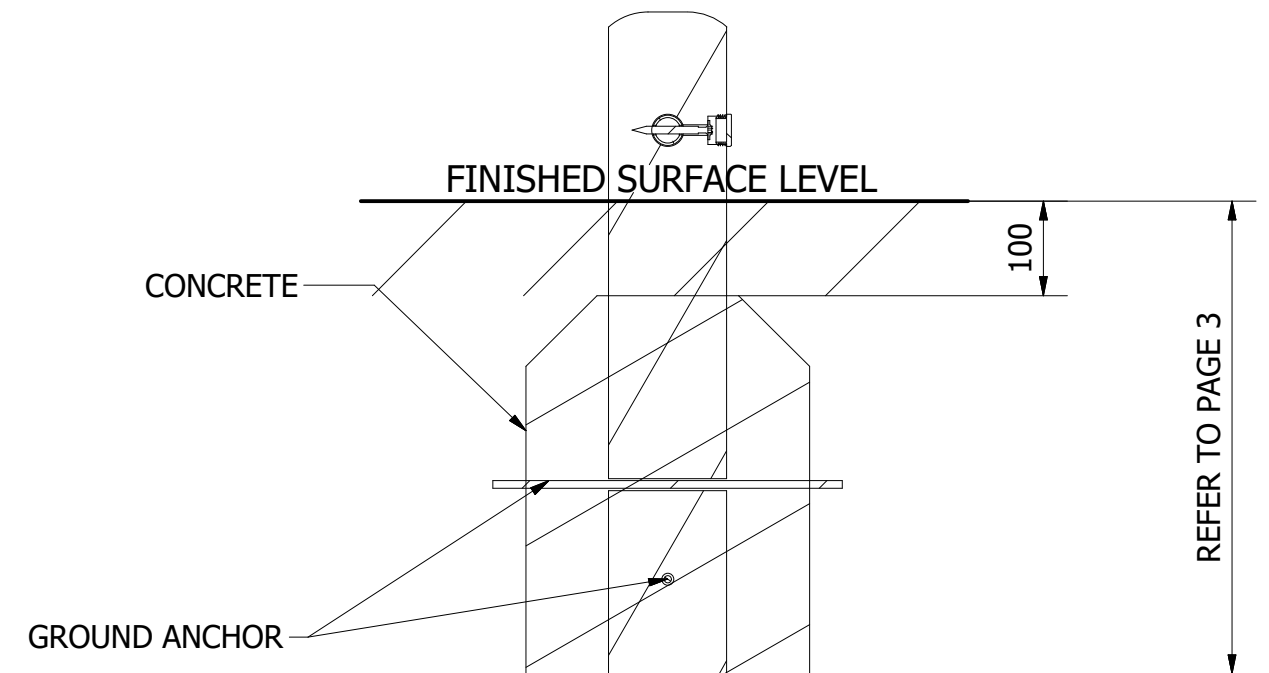
1. AS SHOWN BELOW, POSITION THE UNIT INTO THE FOUNDATION HOLES AND BRACE. USE THE SUPPLIED BARS TO CONNECT THE FRAMES TOGETHER AND STABILISE THE UNIT.



2. AS SHOWN BELOW, PREPARE THE SEATS: RESTING THEM ON THE STEEL SUPPORT, USE THE PROVIDED TIMBER (ITEM 2) AND SCREWS TO CLAMP THE SEAT IN PLACE.



3. FINALLY, ENSURE THE UNIT IS LEVEL & PLUMB. ALL FIXINGS HAVE BEEN TIGHTENED AND PROTECTIVE CAPS IN PLACE. ADD CONCRETE TO EACH FOUNDATION HOLE AND LEAVE FOR 48 HOURS



UNLESS OTHERWISE SPECIFIED:
DIMENSIONS ARE IN MILLIMETERS
TOLERANCES:
LINEAR: $\pm 2\text{MM}$
1 DECIMAL PLACE: $\pm 0.5\text{MM}$
ANGULAR: $\pm 1^\circ$

PROPRIETARY AND CONFIDENTIAL

THE INFORMATION CONTAINED IN THIS DRAWING IS THE SOLE PROPERTY OF FENLAND LEISURE PRODUCTS. ANY REPRODUCTION IN PART OR AS A WHOLE WITHOUT THE WRITTEN PERMISSION OF FENLAND LEISURE PRODUCTS IS PROHIBITED.

Title: PRO-500-180 GROUP FITNESS STATION

Product Range: FITNESS TRAIL

Date:
01/10/2020

Page:
A3

OLP
online playgrounds

DO NOT SCALE FROM DRAWING

Tel: 01354 638359 www.onlineplaygrounds.co.uk