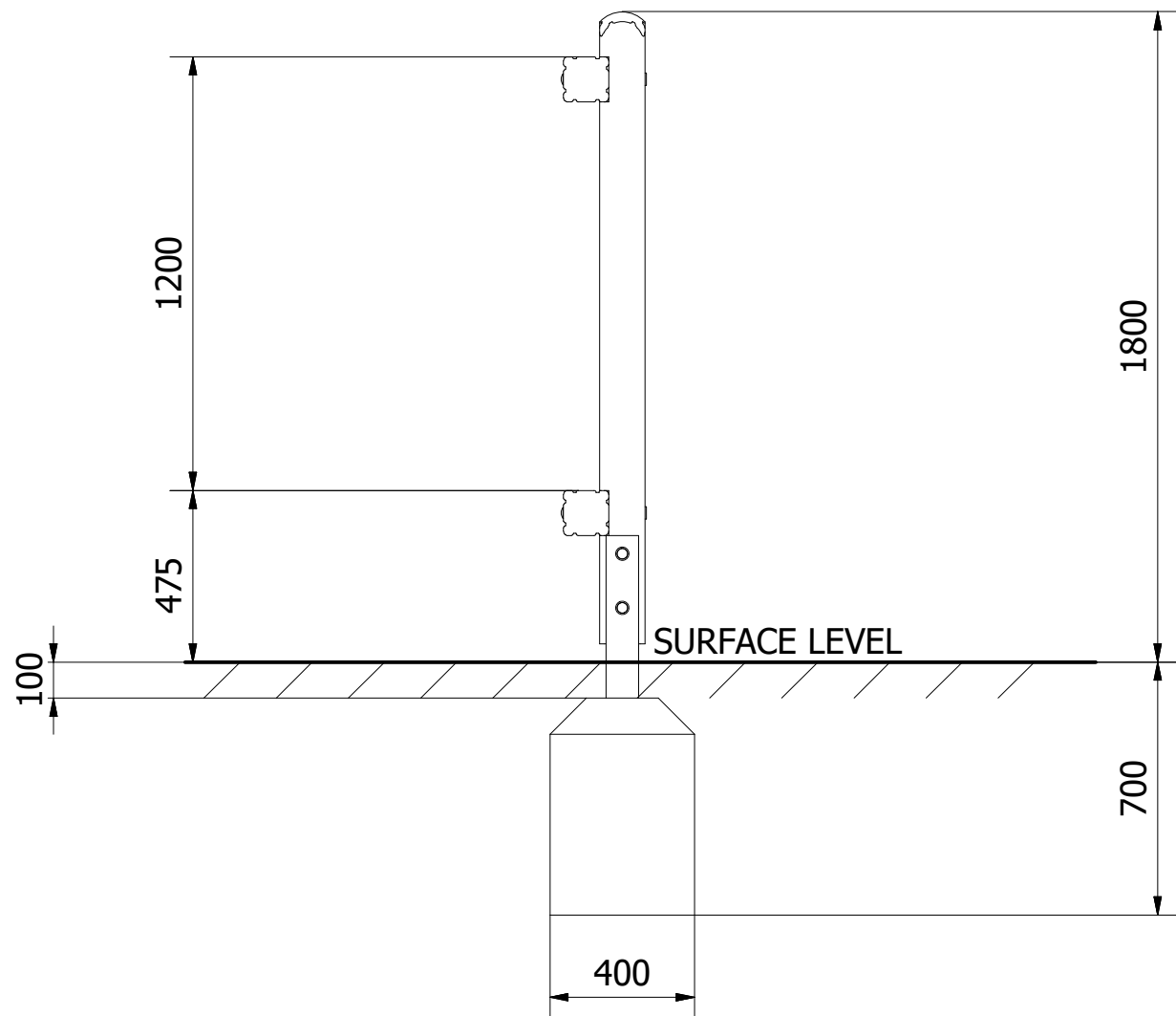
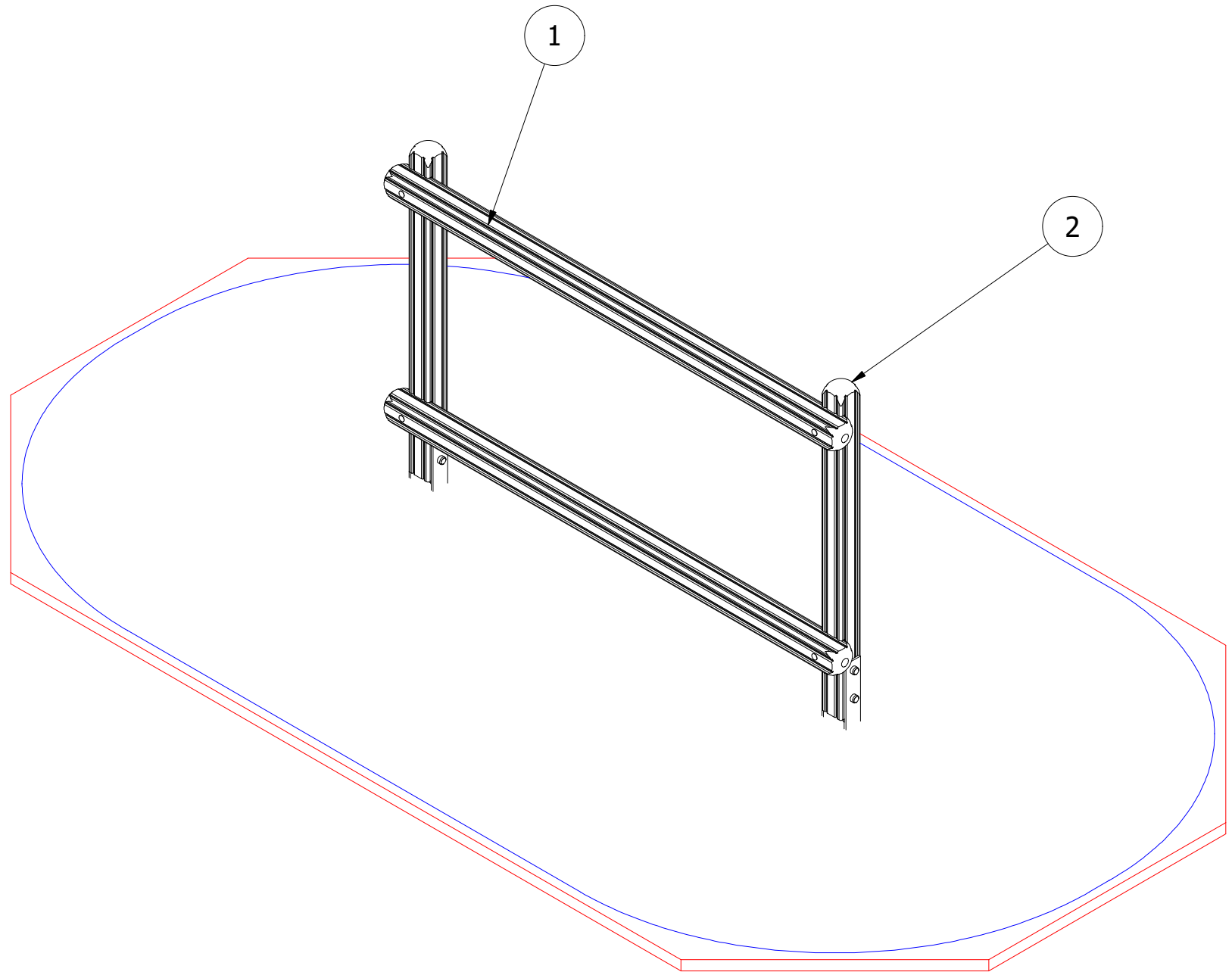


PARTS LIST

ITEM	QTY	PART NUMBER	DESCRIPTION
1	2	TB-200-354	2800MM X 125MM SAFALOG
2	2	TB-200-732_B	1750MM X 125MM (POST INSERT)
3	2	MT-300-006	POST FOOT
4	4	M12 X 160 COACH BOLT	M12 X 160 (DIN 603)
5	4	M12 X 220 COACH BOLT	M12 X 220 (DIN 603)
6	8	M12 WASHER	M12 WASHER (DIN 125)
7	8	M12 NYLOC NUT	M12 NYLOC NUT (DIN 985)
8	4	30MM BOLT COVER	30MM BLACK CAP
9	4	2 PART CAP (BLACK)	TWO PART CAP
10	2	400 x 400 x 600	0.096M ³ CONCRETE FOUNDATION

INDICATOR SIGN

ITEM	QTY	PART NUMBER	DESCRIPTION
2	1	PE-400-035	INDICATOR SIGN
4	4	M3 X 25 POZI PAN SCREW	25MM POZI PAN SCREW



NOTES:
 STEELWORK: EXPORT - ALUMINIUM
 U.K - STAINLESS STEEL
 INDICATOR SIGN: EXPORT - COMSIGSIG0042
 U.K - COMSIGSIG0032

UNLESS OTHERWISE SPECIFIED:
 DIMENSIONS ARE IN MILLIMETERS
 TOLERANCES:
 LINEAR: ±2MM
 1 DECIMAL PLACE: ±0.5MM
 ANGULAR: ±1°

PROPRIETARY AND CONFIDENTIAL
 THE INFORMATION CONTAINED IN THIS
 DRAWING IS THE SOLE PROPERTY OF
 FENLAND LEISURE PRODUCTS. ANY
 REPRODUCTION IN PART OR AS A WHOLE
 WITHOUT THE WRITTEN PERMISSION
 OF FENLAND
 LEISURE PRODUCTS IS PROHIBITED.

Title: PRO-500-176 GATE VAULT (FC34)_SF

Product Range: FITNESS TRAIL

<1.7M FFH

Date:
31/08/2021

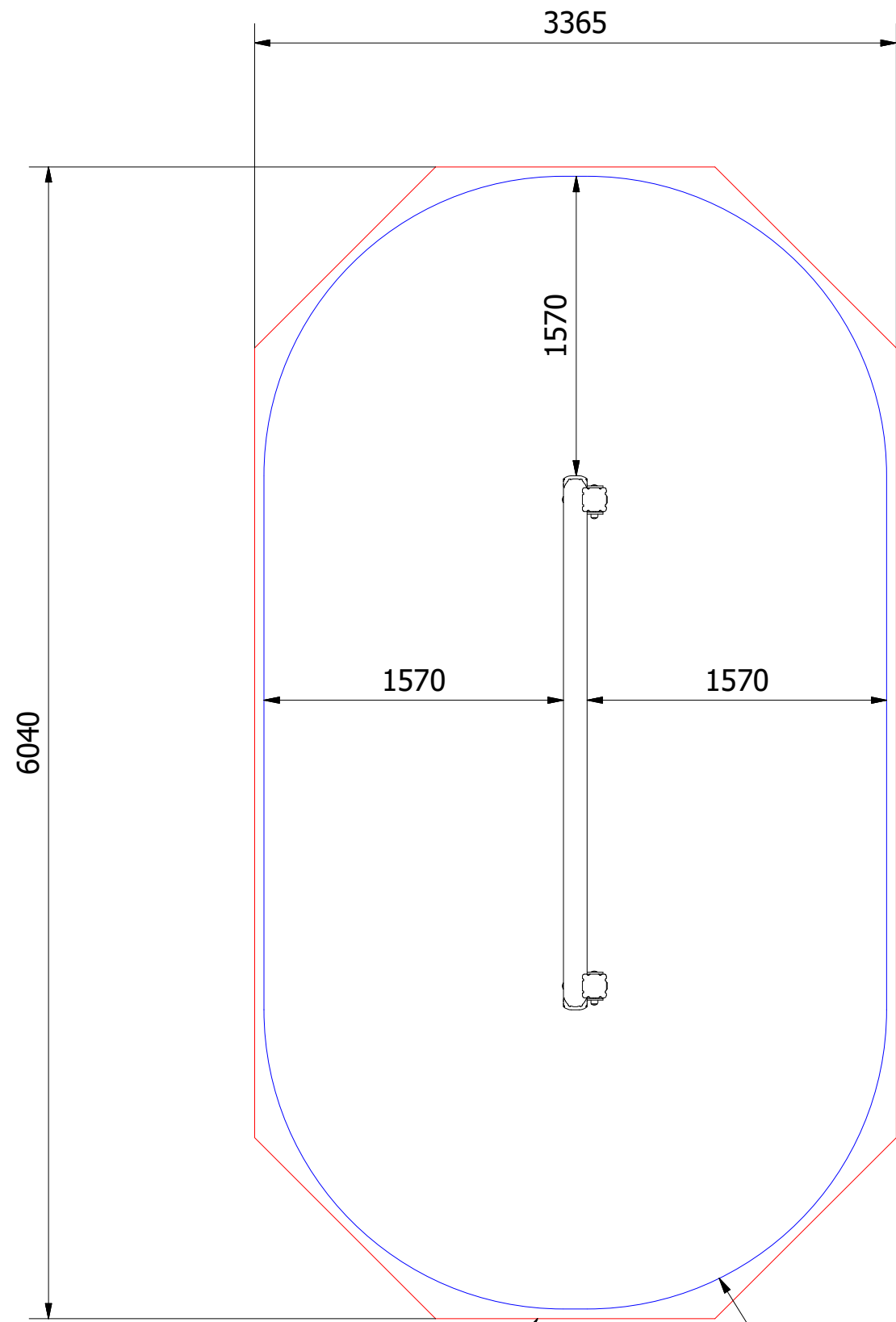
Page: 1

A3



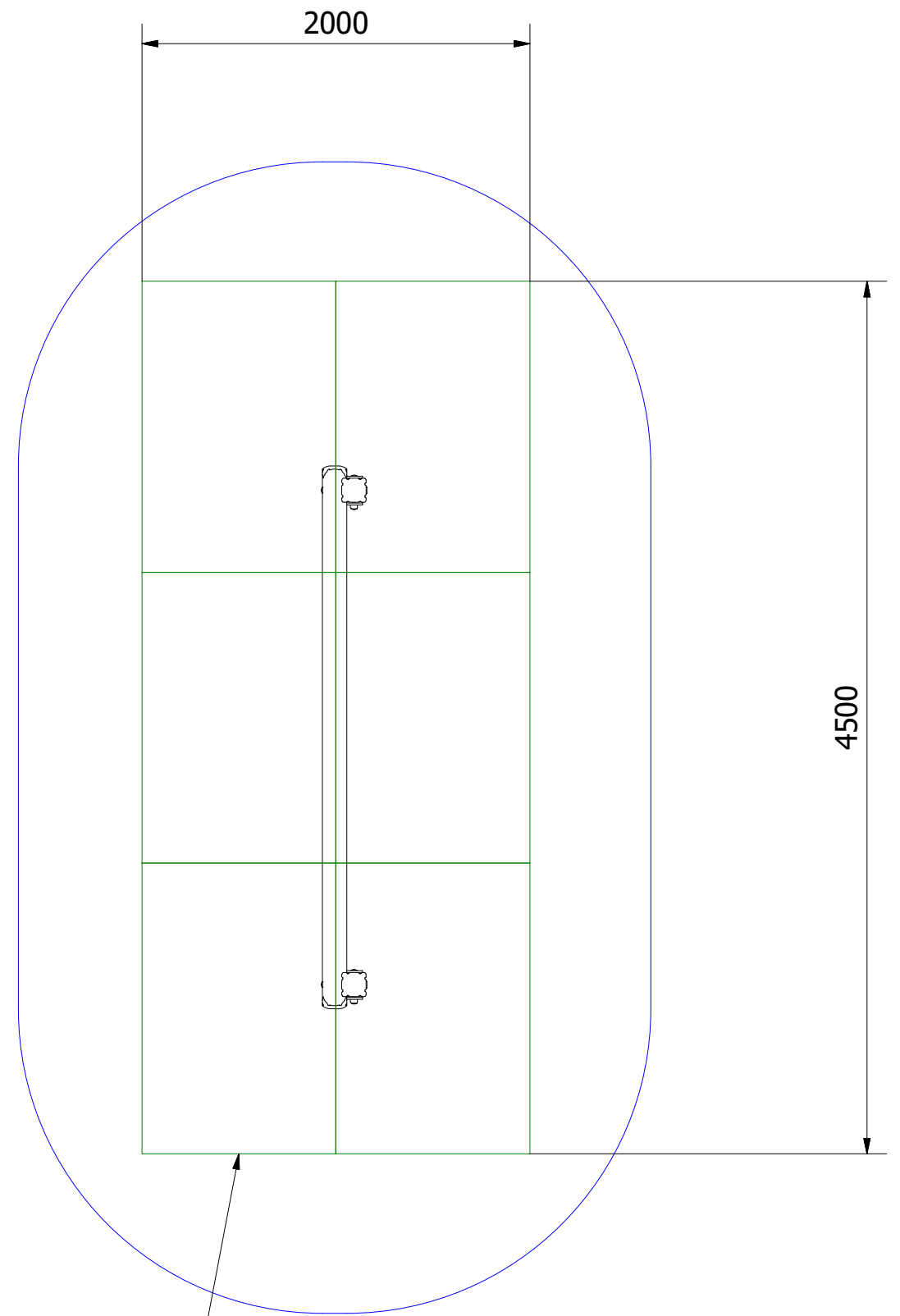
DO NOT SCALE FROM DRAWING

Tel: 01354 638359 www.onlineplaygrounds.co.uk



WETPOUR AREA = 18.6M²
 PERIMETER = 16.6 L/M

MIN SPACE



6 SAFAGRASS TILES (1.5 X 1.0M)

UNLESS OTHERWISE SPECIFIED:
 DIMENSIONS ARE IN MILLIMETERS
 TOLERANCES:
 LINEAR: ±2MM
 1 DECIMAL PLACE: ±0.5MM
 ANGULAR: ±1°

PROPRIETARY AND CONFIDENTIAL
 THE INFORMATION CONTAINED IN THIS
 DRAWING IS THE SOLE PROPERTY OF
 FENLAND LEISURE PRODUCTS. ANY
 REPRODUCTION IN PART OR AS A WHOLE
 WITHOUT THE WRITTEN PERMISSION
 OF FENLAND
 LEISURE PRODUCTS IS PROHIBITED.

Title: PRO-500-176 GATE VAULT (FC34)_SF

Product Range: FITNESS TRAIL

Date:
 31/08/2021

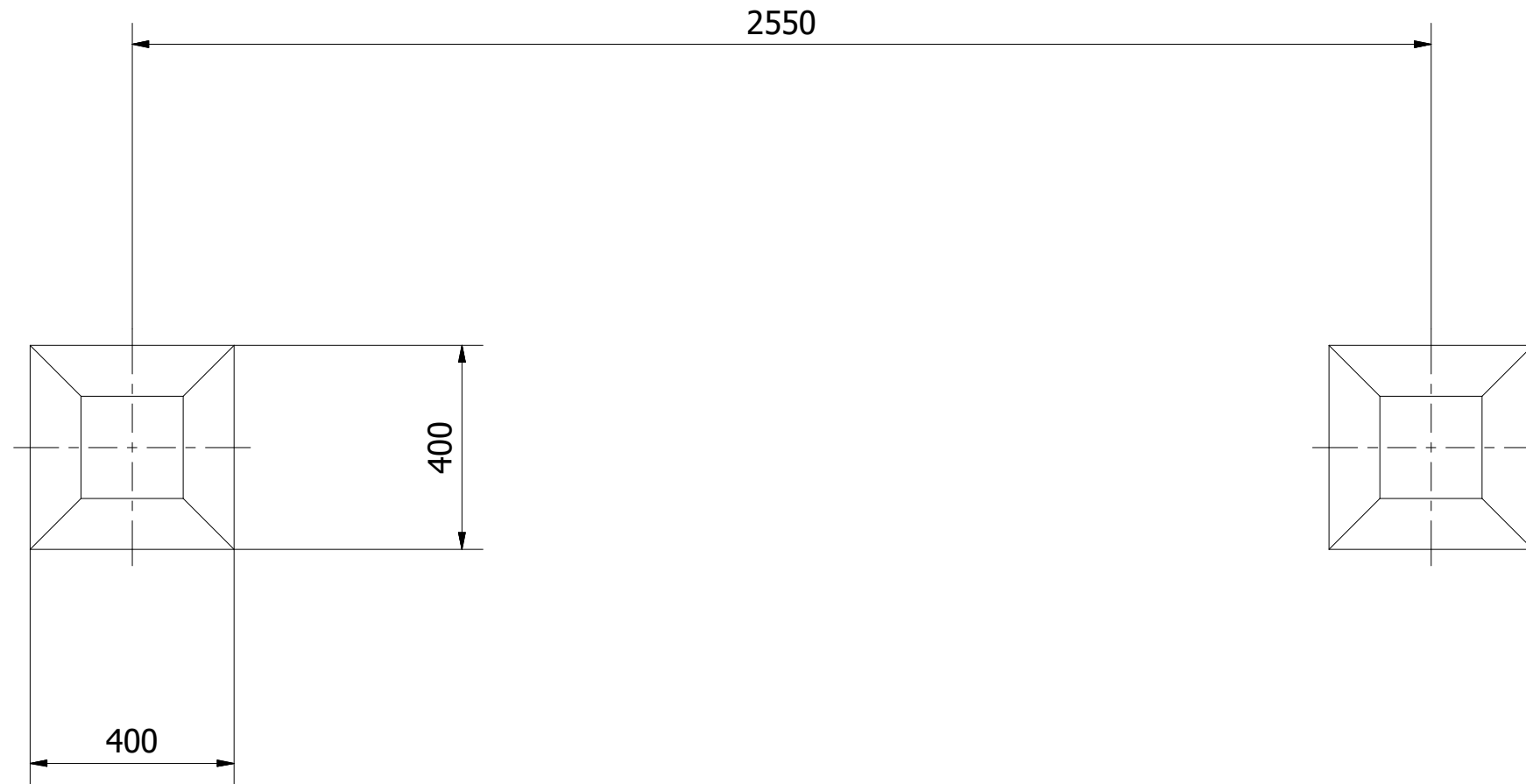
Page: 2

A3



DO NOT SCALE FROM DRAWING

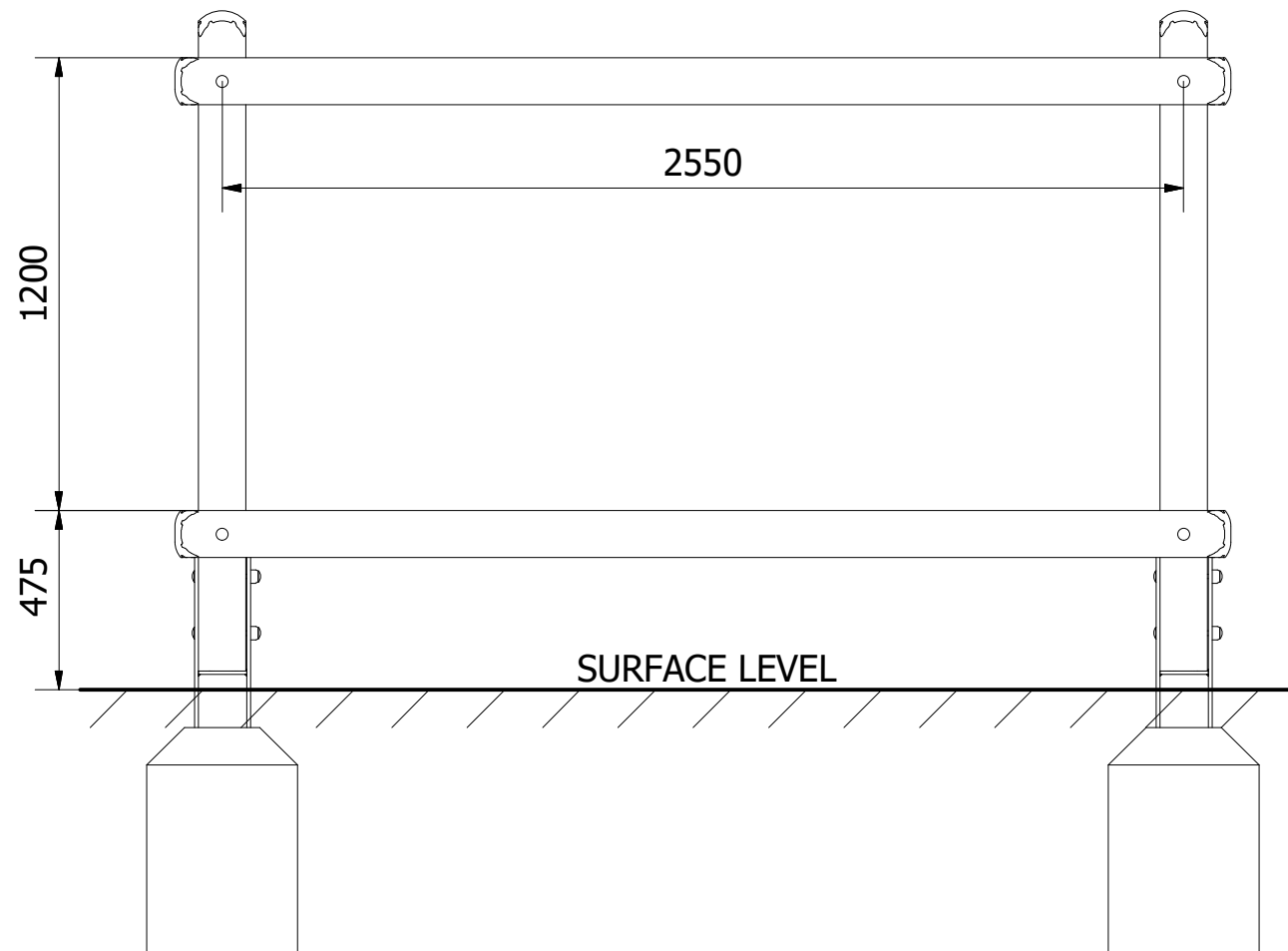
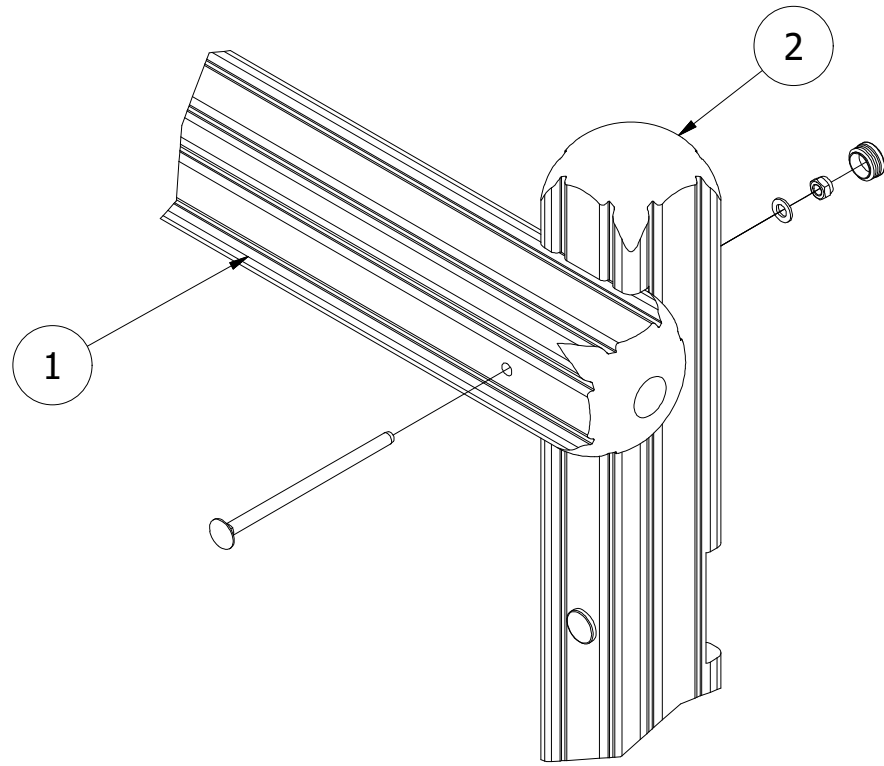
Tel: 01354 638359 www.onlineplaygrounds.co.uk



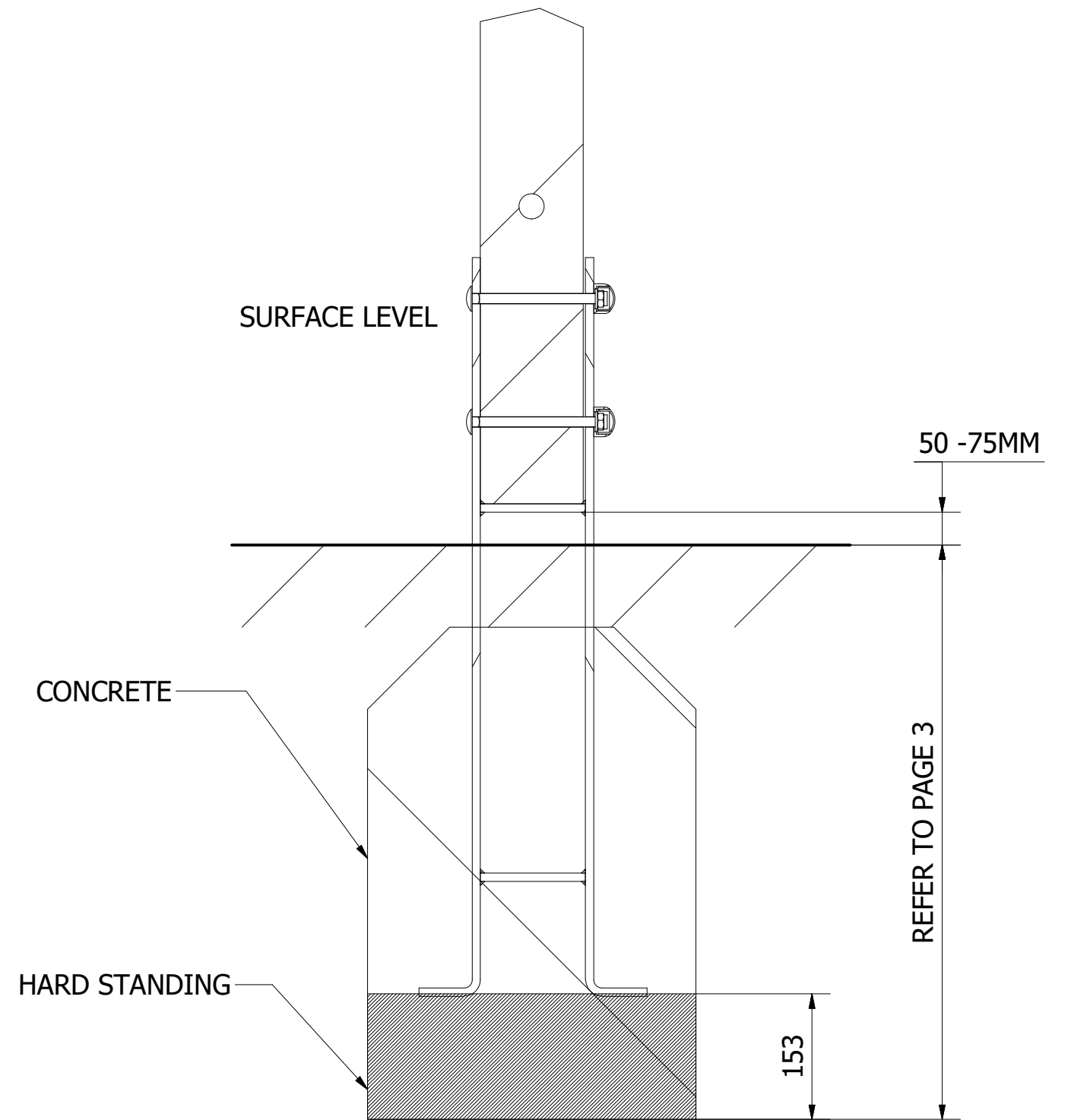
ALL FOUNDATIONS 400 X 400 X 700 DEEP UNLESS OTHERWISE SPECIFIED

UNLESS OTHERWISE SPECIFIED: DIMENSIONS ARE IN MILLIMETERS TOLERANCES: LINEAR: ±2MM 1 DECIMAL PLACE: ±0.5MM ANGULAR: ±1°	PROPRIETARY AND CONFIDENTIAL THE INFORMATION CONTAINED IN THIS DRAWING IS THE SOLE PROPERTY OF FENLAND LEISURE PRODUCTS. ANY REPRODUCTION IN PART OR AS A WHOLE WITHOUT THE WRITTEN PERMISSION OF FENLAND LEISURE PRODUCTS IS PROHIBITED.	Title: PRO-500-176 GATE VAULT (FC34)_SF	
		Product Range: FITNESS TRAIL	
		Date: 31/08/2021	
		Page: 3	
		A3	
		DO NOT SCALE FROM DRAWING	
		Tel: 01354 638359 www.onlineplaygrounds.co.uk	

1. POSITION THE UPRIGHT POSTS (ITEM 2) INTO THE FOUNDATION HOLES AND PROP TO KEEP VERTICAL. USE RAPID SET CONCRETE TO SECURE ONE POST INTO THE GROUND, ENSURING THE POST IS LEVEL AND PLUMB.
2. WITH ONE POST SET, SECURE THE HORIZONTAL BEAMS (ITEM 1) TO THE VERTICAL TIMBERS (ITEM 2) USING THE SUPPLIED FIXINGS AS ILLUSTRATED BELOW.



3. FINALLY, ENSURE THE UNIT IS LEVEL & PLUMB, ALL FIXINGS HAVE BEEN TIGHTENED AND PROTECTIVE CAPS IN PLACE. ADD CONCRETE TO THE REMAINING FOUNDATION HOLE AND LEAVE FOR 48 HOURS



UNLESS OTHERWISE SPECIFIED:
DIMENSIONS ARE IN MILLIMETERS
TOLERANCES:
LINEAR: $\pm 2\text{MM}$
1 DECIMAL PLACE: $\pm 0.5\text{MM}$
ANGULAR: $\pm 1^\circ$

PROPRIETARY AND CONFIDENTIAL

THE INFORMATION CONTAINED IN THIS DRAWING IS THE SOLE PROPERTY OF FENLAND LEISURE PRODUCTS. ANY REPRODUCTION IN PART OR AS A WHOLE WITHOUT THE WRITTEN PERMISSION OF FENLAND LEISURE PRODUCTS IS PROHIBITED.

Title: **PRO-500-063 GATE CLIMB (FC8)**

Product Range: **FITNESS TRAIL**

Date:
31/08/2021

Page: 4

A3



DO NOT SCALE FROM DRAWING

Tel: 01354 638359 www.onlineplaygrounds.co.uk