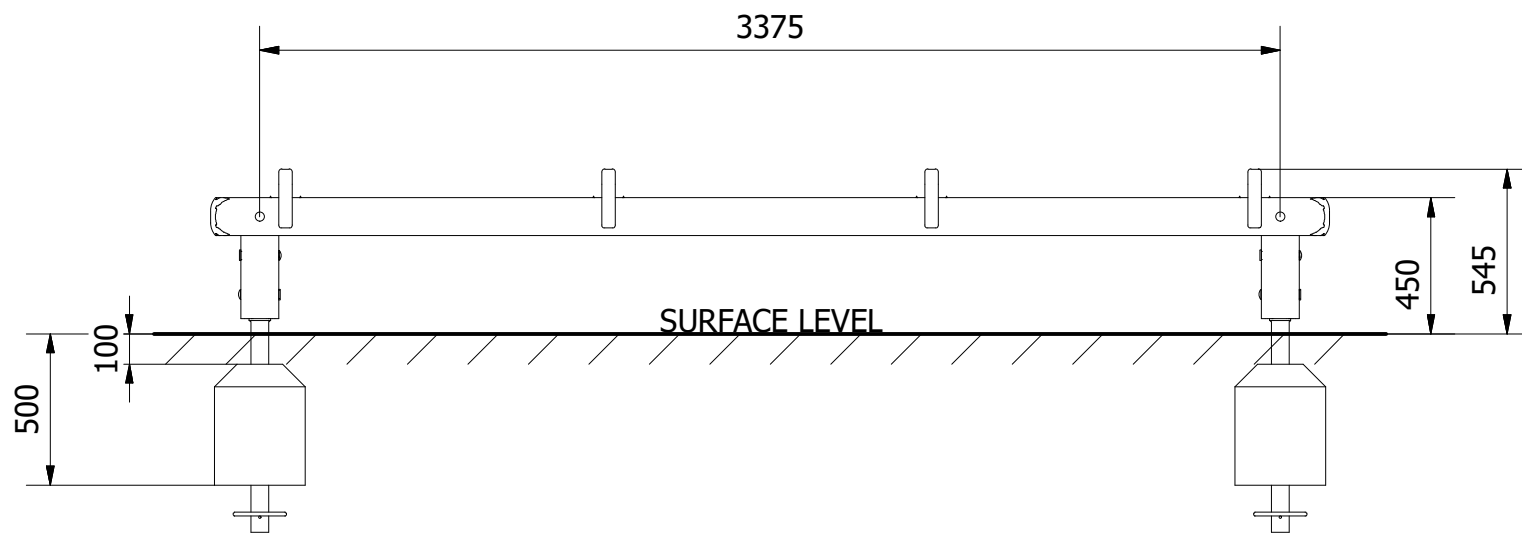
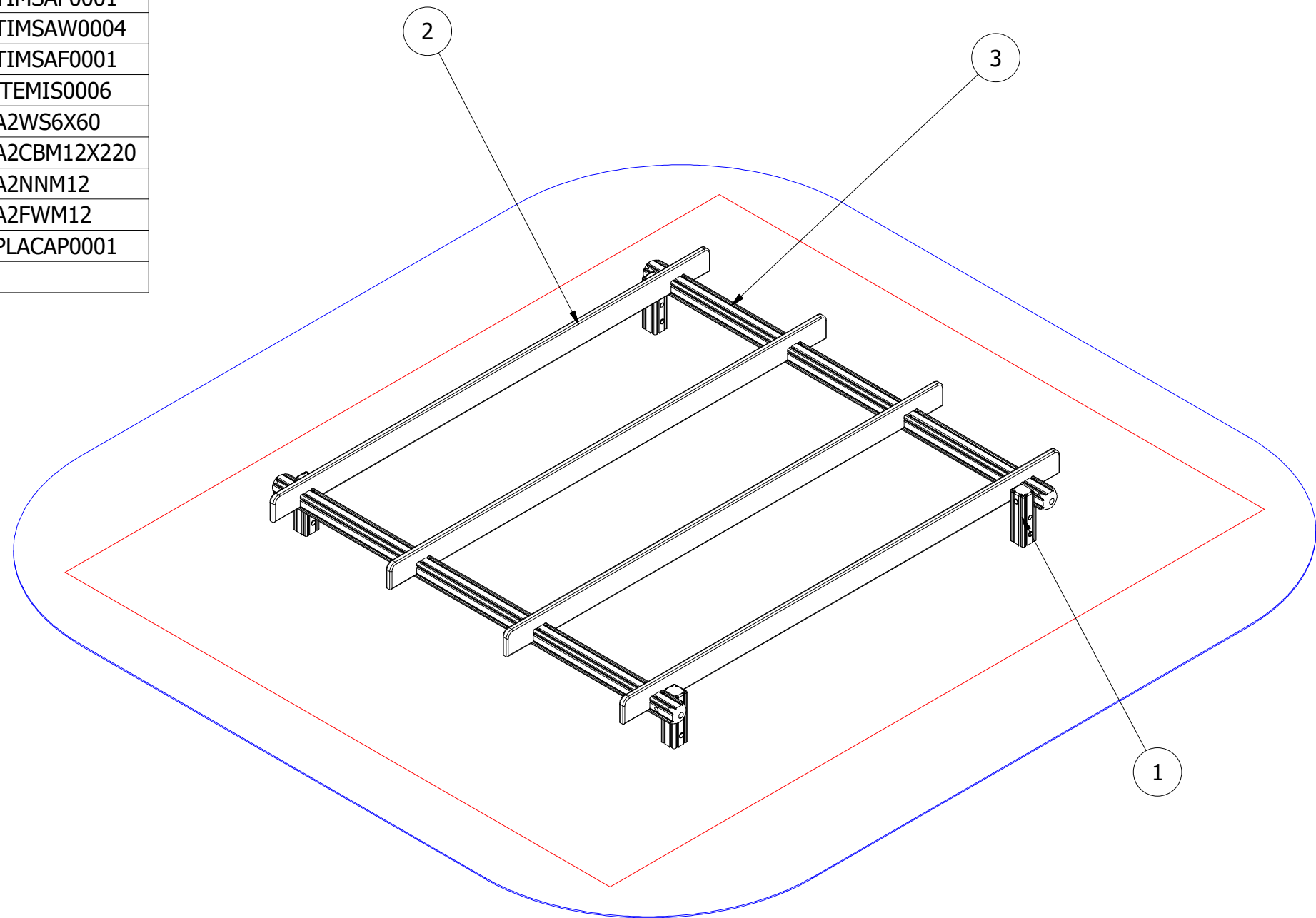


PARTS LIST

ITEM	QTY	PART NUMBER	DESCRIPTION	STOCK NUMBER
1	4	TB-200-335_B	400MM X 125MM (POST INSERT)	COMTIMSAF0001
2	4	TB-200-730	4000 X 195 X 45	COMTIMSAW0004
3	2	TB-200-731	3700mm x 125mm SAFALOG	COMTIMSAF0001
4	4	MOD-600-121 GROUND FOOT (125)	GROUND FOOT (125)	SUBSTEMIS0006
5	32	M6 X 60 TORX WOODSCREW	60MM TORX WOODSCREW	COMA2WS6X60
6	4	M12 X 220 COACH BOLT	M12 X 220 (DIN 603)	COMA2CBM12X220
7	4	M12 NYLOC NUT	M12 NYLOC NUT (DIN 985)	COMA2NNM12
8	4	M12 WASHER	M12 WASHER (DIN 125)	COMA2FWM12
9	4	30MM BOLT COVER	30MM BLACK CAP	COMPLACAP0001
10	4	300 x 300 x 400	0.036M ³ CONCRETE FOUNDATION	

FITNESS INDICATOR SIGN

ITEM	QTY	PART NUMBER	DESCRIPTION
1	1	TB-200-399_B	1100 x 112mm (FC281650P)
2	1	PE-400-035	INDICATOR SIGN
3	1	MOD-600-116 GROUND FOOT	GROUND FOOT (112)
4	4	M3 X 25 POZI PAN SCREW	25MM POZI PAN SCREW
5	1	300 x 300 x 400	0.036M ³ CONCRETE FOUNDATION



NOTES:
 STEELWORK: EXPORT - ALUMINIUM
 U.K - STAINLESS STEEL
 INDICATOR SIGN: EXPORT - COMSIGSIG0042
 U.K - COMSIGSIG0032

UNLESS OTHERWISE SPECIFIED:
 DIMENSIONS ARE IN MILLIMETERS
 TOLERANCES:
 LINEAR: ±2MM
 1 DECIMAL PLACE: ±0.5MM
 ANGULAR: ±1°

PROPRIETARY AND CONFIDENTIAL
 THE INFORMATION CONTAINED IN THIS
 DRAWING IS THE SOLE PROPERTY OF
 FENLAND LEISURE PRODUCTS. ANY
 REPRODUCTION IN PART OR AS A WHOLE
 WITHOUT THE WRITTEN PERMISSION
 OF FENLAND
 LEISURE PRODUCTS IS PROHIBITED.

Title: PRO-500-175 BALANCE BOARDS (FC17)_SF

Product Range: FITNESS TRAIL

<0.6M FFH

Date:
09/03/2020

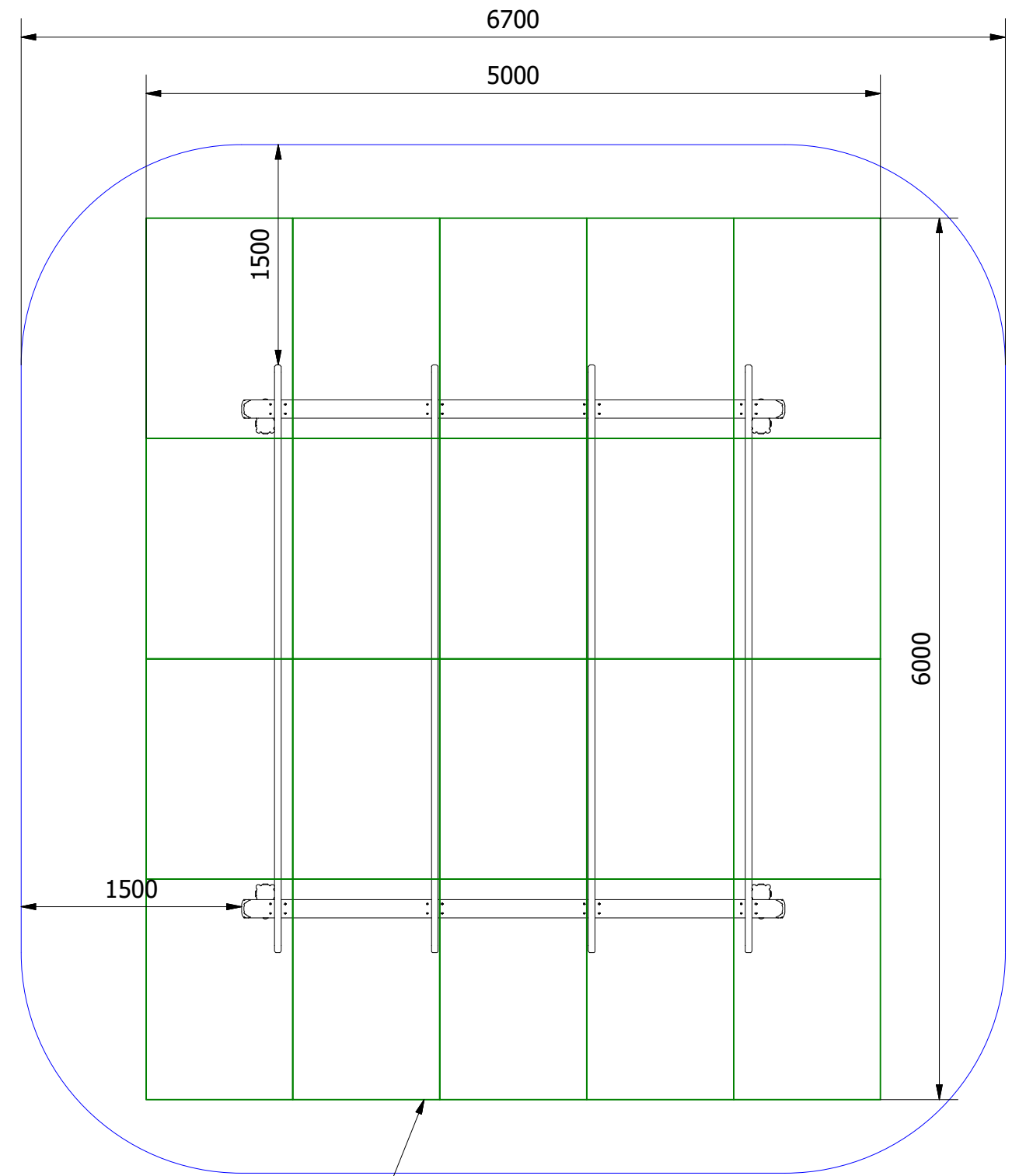
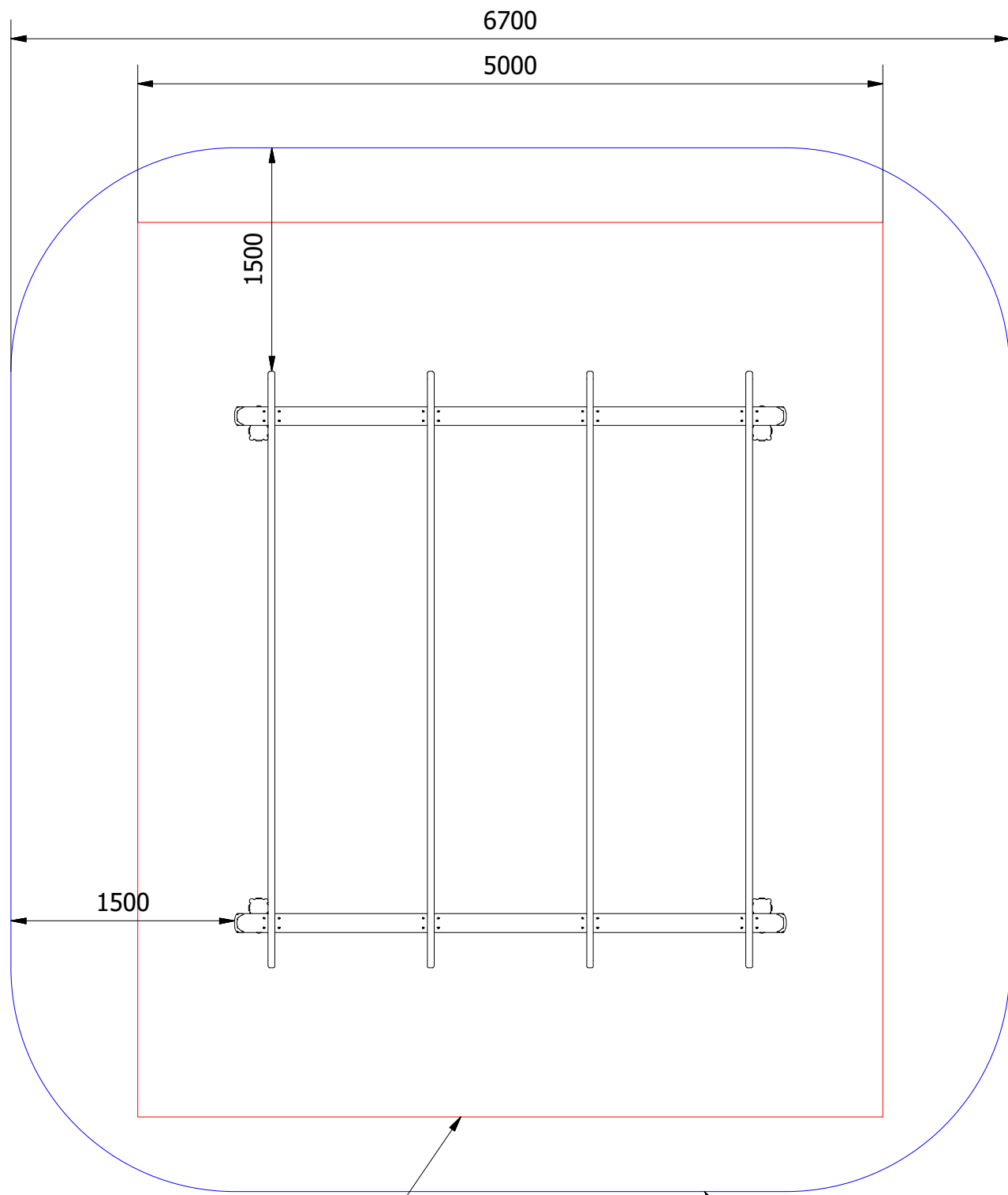
Page:

A3



DO NOT SCALE FROM DRAWING

Tel: 01354 638359 www.onlineplaygrounds.co.uk

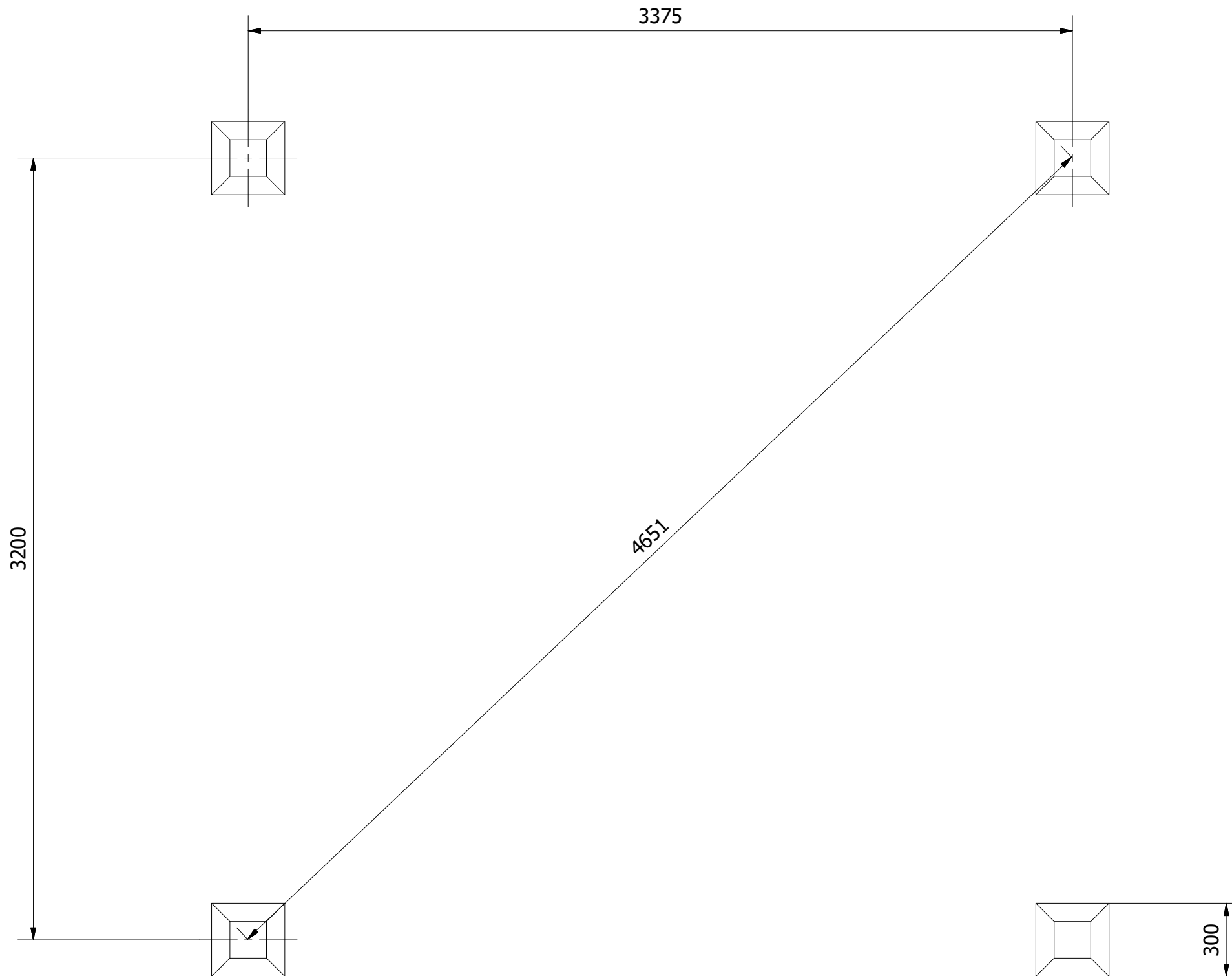


20 SAFAGRASS TILES
(1.5M X 1.0M)

WETPOUR AREA = 30M²
PERIMETER = 22 L/M

MIN SPACE

UNLESS OTHERWISE SPECIFIED: DIMENSIONS ARE IN MILLIMETERS TOLERANCES: LINEAR: ±2MM 1 DECIMAL PLACE: ±0.5MM ANGULAR: ±1°	PROPRIETARY AND CONFIDENTIAL THE INFORMATION CONTAINED IN THIS DRAWING IS THE SOLE PROPERTY OF FENLAND LEISURE PRODUCTS. ANY REPRODUCTION IN PART OR AS A WHOLE WITHOUT THE WRITTEN PERMISSION OF FENLAND LEISURE PRODUCTS IS PROHIBITED.	Title: PRO-500-175 BALANCE BOARDS (FC17)_SF	
		Product Range: FITNESS TRAIL	
		Date: 09/03/2020	
		Page: A3	
DO NOT SCALE FROM DRAWING		Tel: 01354 638359 www.onlineplaygrounds.co.uk	



ALL FOUNDATIONS 300 X 300 X 500 DEEP UNLESS OTHERWISE SPECIFIED

UNLESS OTHERWISE SPECIFIED:
DIMENSIONS ARE IN MILLIMETERS
TOLERANCES:
LINEAR: ±2MM
1 DECIMAL PLACE: ±0.5MM
ANGULAR: ±1°

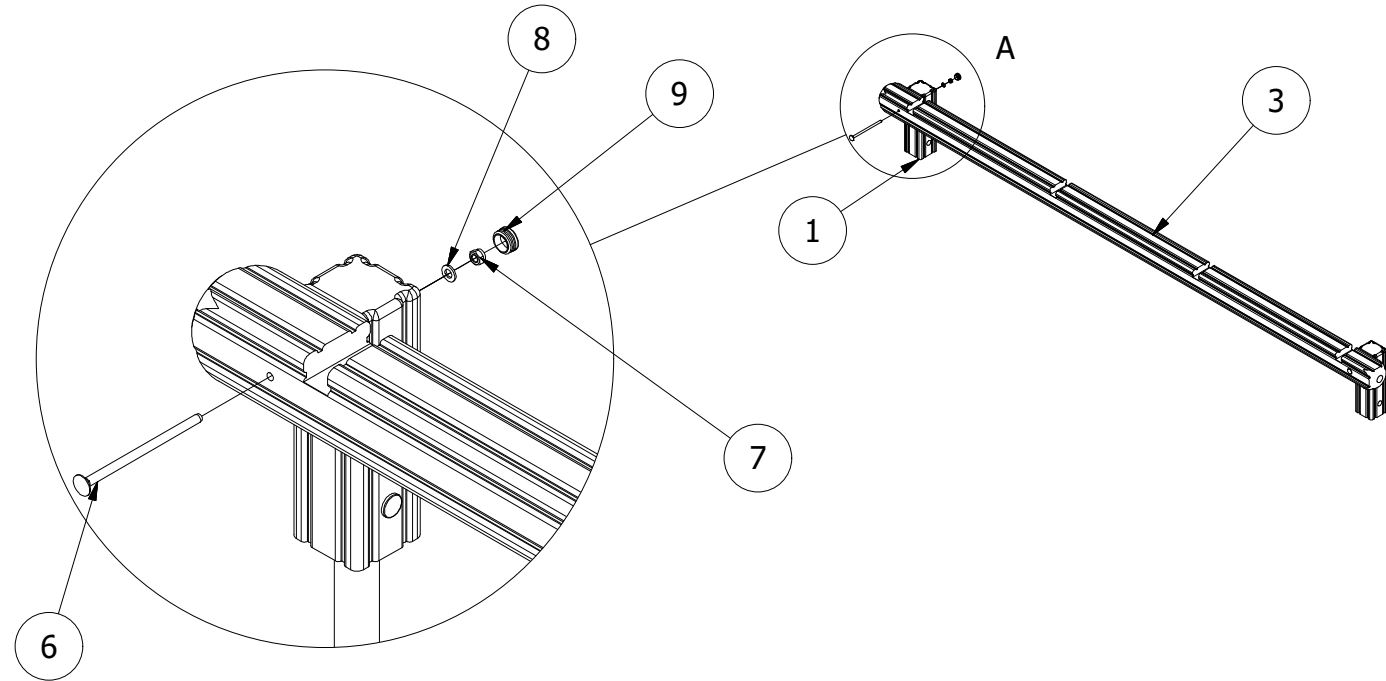
PROPRIETARY AND CONFIDENTIAL
THE INFORMATION CONTAINED IN THIS
DRAWING IS THE SOLE PROPERTY OF
FENLAND LEISURE PRODUCTS. ANY
REPRODUCTION IN PART OR AS A WHOLE
WITHOUT THE WRITTEN PERMISSION
OF FENLAND
LEISURE PRODUCTS IS PROHIBITED.



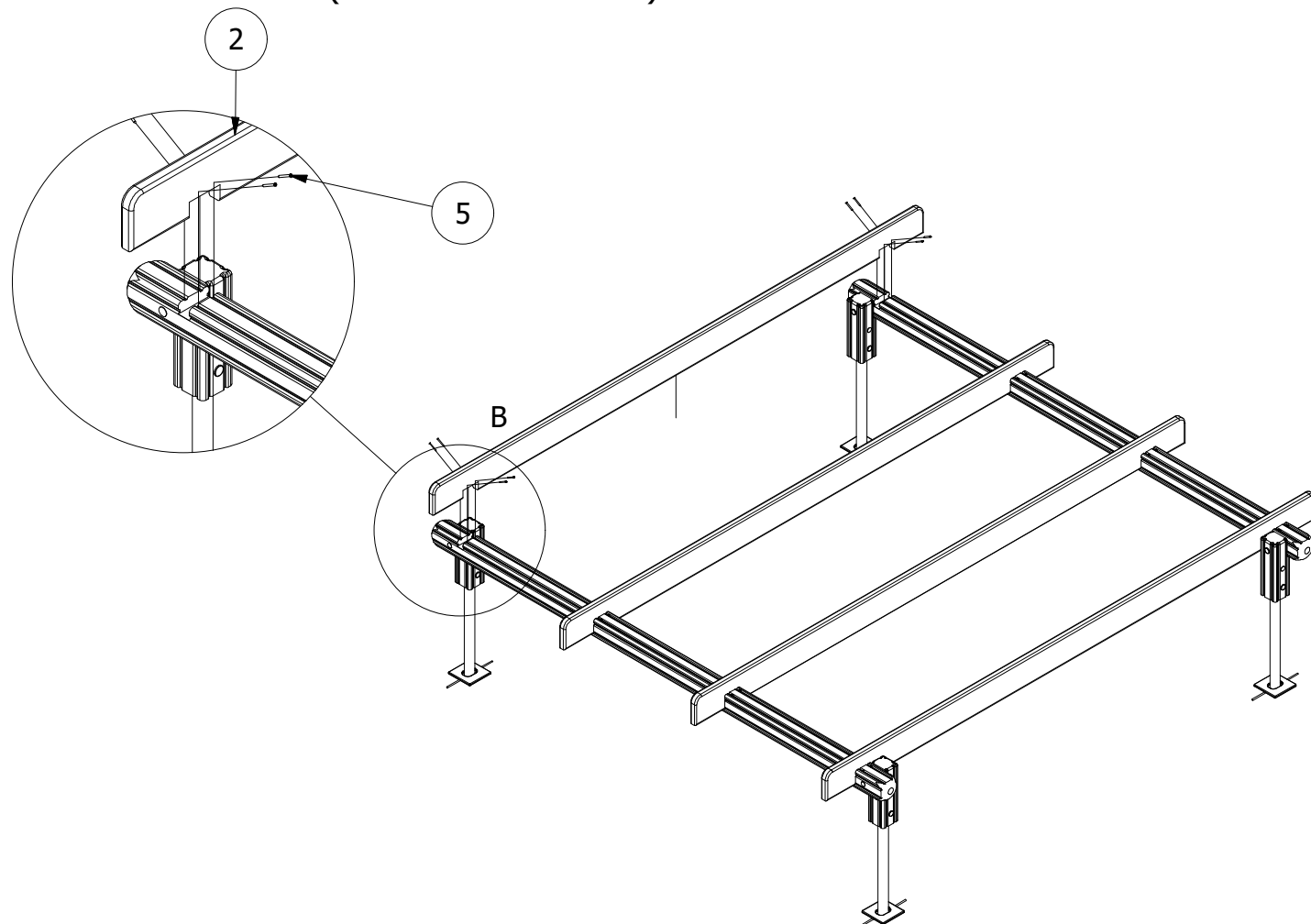
Title: PRO-500-175 BALANCE BOARDS (FC17)_SF	
Product Range: FITNESS TRAIL	
DO NOT SCALE FROM DRAWING	Date: 09/03/2020
	Page: A3
	Tel: 01354 638359 www.onlineplaygrounds.co.uk

1. SECURE THE HORIZONTAL BAR (ITEM 3) TO THE SHORT UPRIGHTS (ITEM 1) USING THE SUPPLIED FIXINGS AS DETAILED BELOW.

POSITION THE UNIT INTO THE FOUNDATION HOLES.

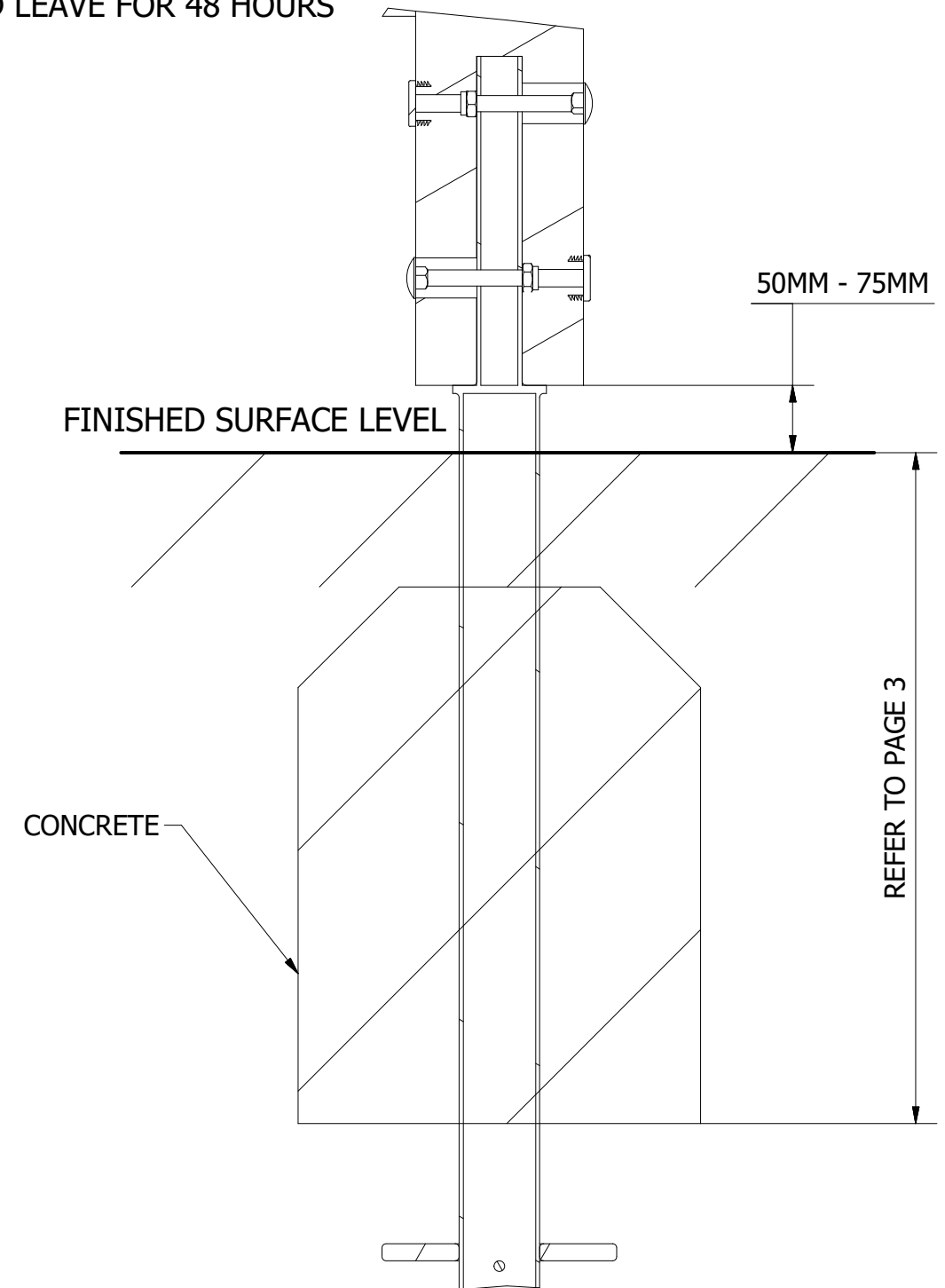


2. POSITION THE BALANCE BOARDS INTO THE PRE-SAWN REBATE ON BOTH OF THE PREVIOUSLY BUILT FRAMES. SPACE ACCORDINGLY AND FIX IN PLACE USING THE SUPPLIED SCREWS (4 OFF EACH REBATE).



3. FINALLY, ENSURE ALL FIXINGS HAVE BEEN TIGHTENED AND PROTECTIVE CAPS IN PLACE.

ENSURE UNIT IS LEVEL AND PLUMB AND ADD CONCRETE TO EACH FOUNDATION HOLE AND LEAVE FOR 48 HOURS



UNLESS OTHERWISE SPECIFIED:
DIMENSIONS ARE IN MILLIMETERS
TOLERANCES:
LINEAR: $\pm 2\text{MM}$
1 DECIMAL PLACE: $\pm 0.5\text{MM}$
ANGULAR: $\pm 1^\circ$

PROPRIETARY AND CONFIDENTIAL

THE INFORMATION CONTAINED IN THIS DRAWING IS THE SOLE PROPERTY OF FENLAND LEISURE PRODUCTS. ANY REPRODUCTION IN PART OR AS A WHOLE WITHOUT THE WRITTEN PERMISSION OF FENLAND LEISURE PRODUCTS IS PROHIBITED.

Title: PRO-500-175 BALANCE BOARDS (FC17)_SF

Product Range: FITNESS TRAIL

Date:
09/03/2020

Page:

A3



DO NOT SCALE FROM DRAWING

Tel: 01354 638359 www.onlineplaygrounds.co.uk