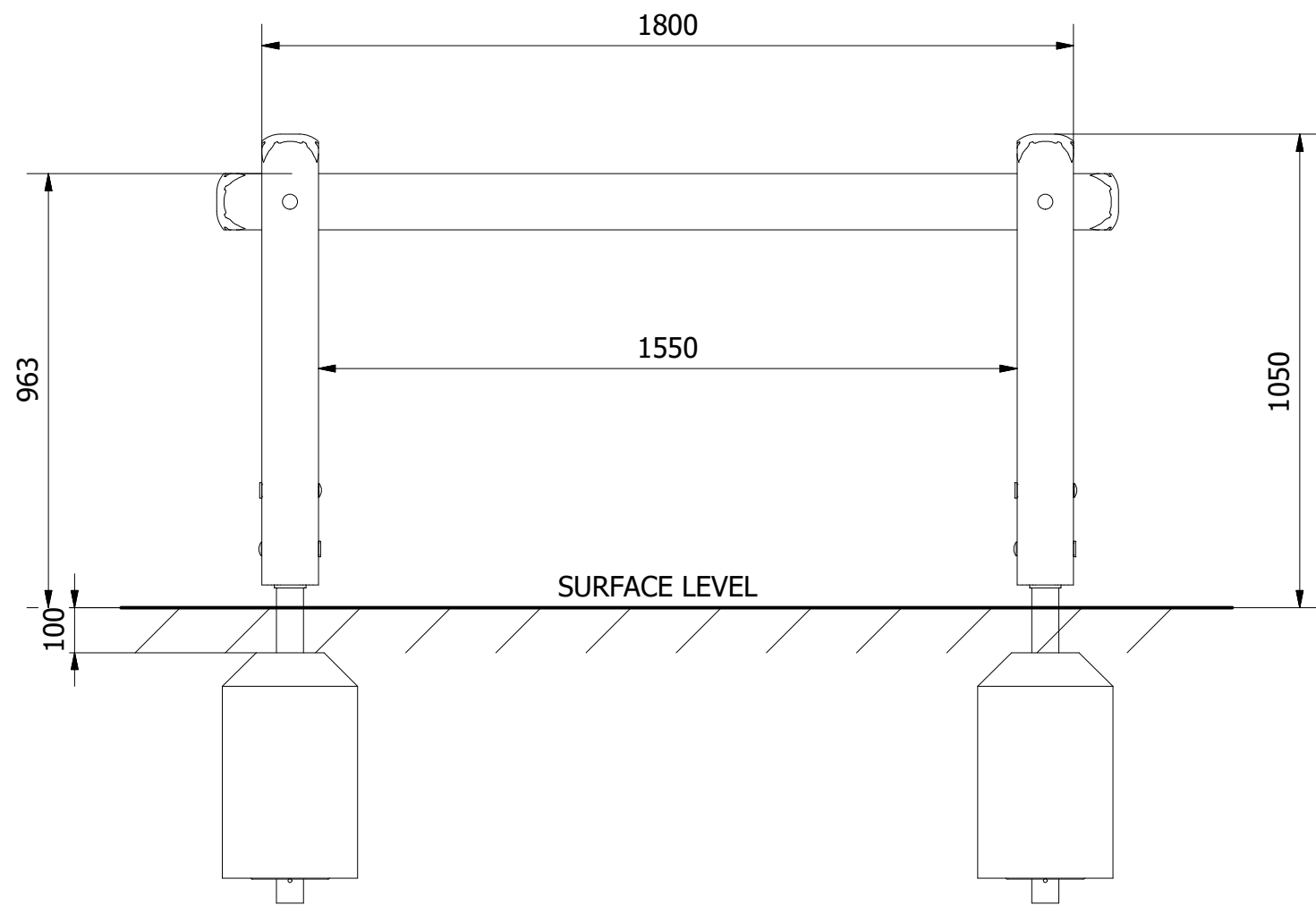
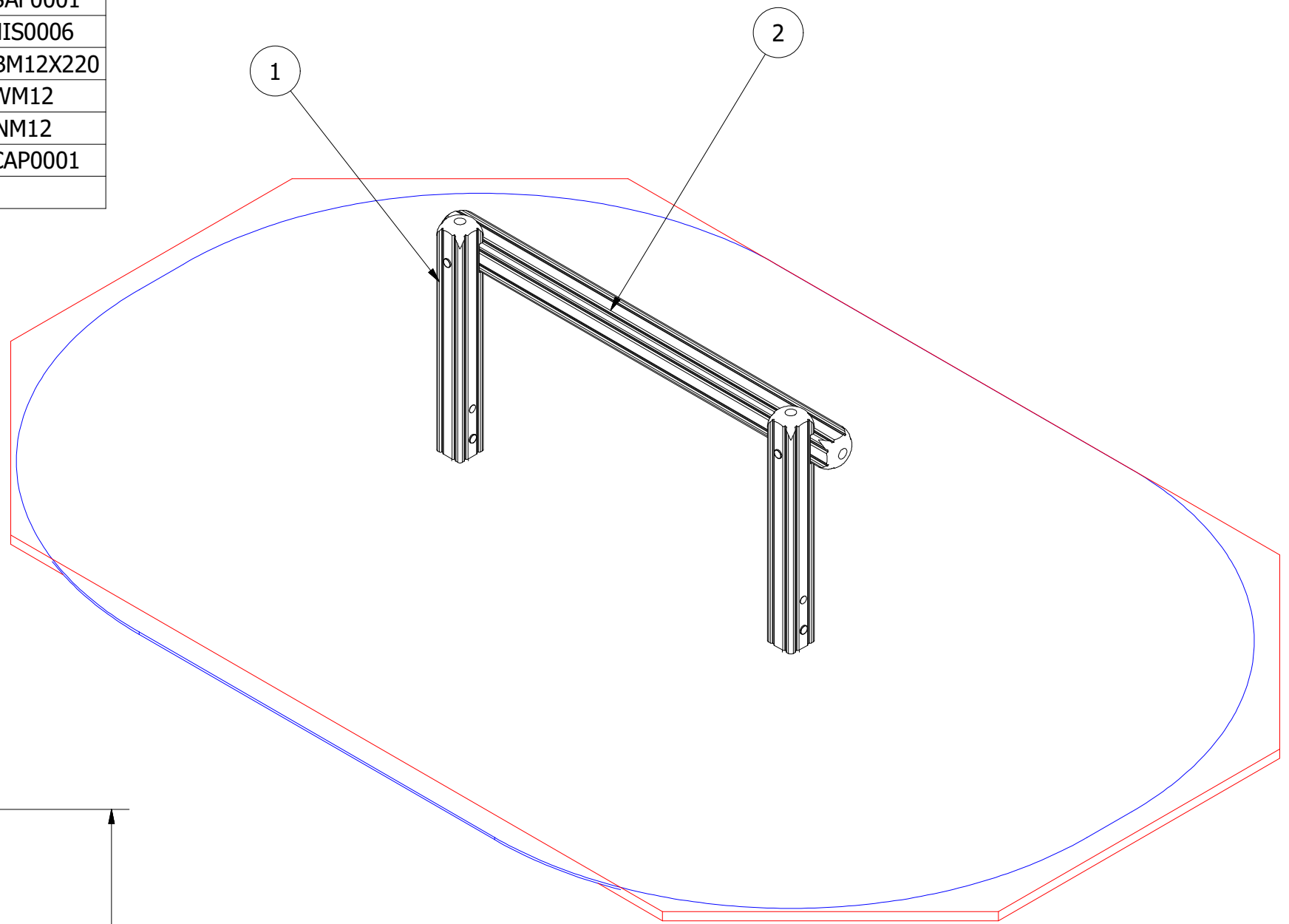


PARTS LIST

ITEM	QTY	PART NUMBER	DESCRIPTION	STOCK NUMBER
1	2	TB-200-495_B	1000MM x 125MM (POST INSERT)	COMTIMSAF0001
2	1	TB-200-726	2000mm x 125mm SAFALOG	COMTIMSAF0001
3	2	MOD-600-121 GROUND FOOT (125)	GROUND FOOT (125)	SUBSTEMIS0006
4	2	M12 X 220 COACH BOLT	M12 X 220 (DIN 603)	COMA2CBM12X220
5	2	M12 WASHER	M12 WASHER (DIN 125)	COMA2FWM12
6	2	M12 NYLOC NUT	M12 NYLOC NUT (DIN 985)	COMA2NNM12
7	2	30MM BOLT COVER	30MM BLACK CAP	COMPLACAP0001
8	2	300 x 300 x 500	0.045M ³ CONCRETE FOUNDATION	

INDICATOR SIGN

ITEM	QTY	PART NUMBER	DESCRIPTION
1	1	TB-200-399_B	1100 x 112mm (FC281650P)
2	1	PE-400-035	INDICATOR SIGN
3	1	MOD-600-116 GROUND FOOT	GROUND FOOT (112)
4	4	M3 X 25 POZI PAN SCREW	25MM POZI PAN SCREW
5	1	300 x 300 x 400	0.036M ³ CONCRETE FOUNDATION



UNLESS OTHERWISE SPECIFIED:
DIMENSIONS ARE IN MILLIMETERS
TOLERANCES:
LINEAR: ±2MM
1 DECIMAL PLACE: ±0.5MM
ANGULAR: ±1°

PROPRIETARY AND CONFIDENTIAL
THE INFORMATION CONTAINED IN THIS
DRAWING IS THE SOLE PROPERTY OF
FENLAND LEISURE PRODUCTS. ANY
REPRODUCTION IN PART OR AS A WHOLE
WITHOUT THE WRITTEN PERMISSION
OF FENLAND
LEISURE PRODUCTS IS PROHIBITED.

Title: PRO-500-095 JUMP BARRIER (FC31)_SF

Product Range: FITNESS TRAIL

<1.0M FFH

REVISION: B

DO NOT SCALE FROM DRAWING

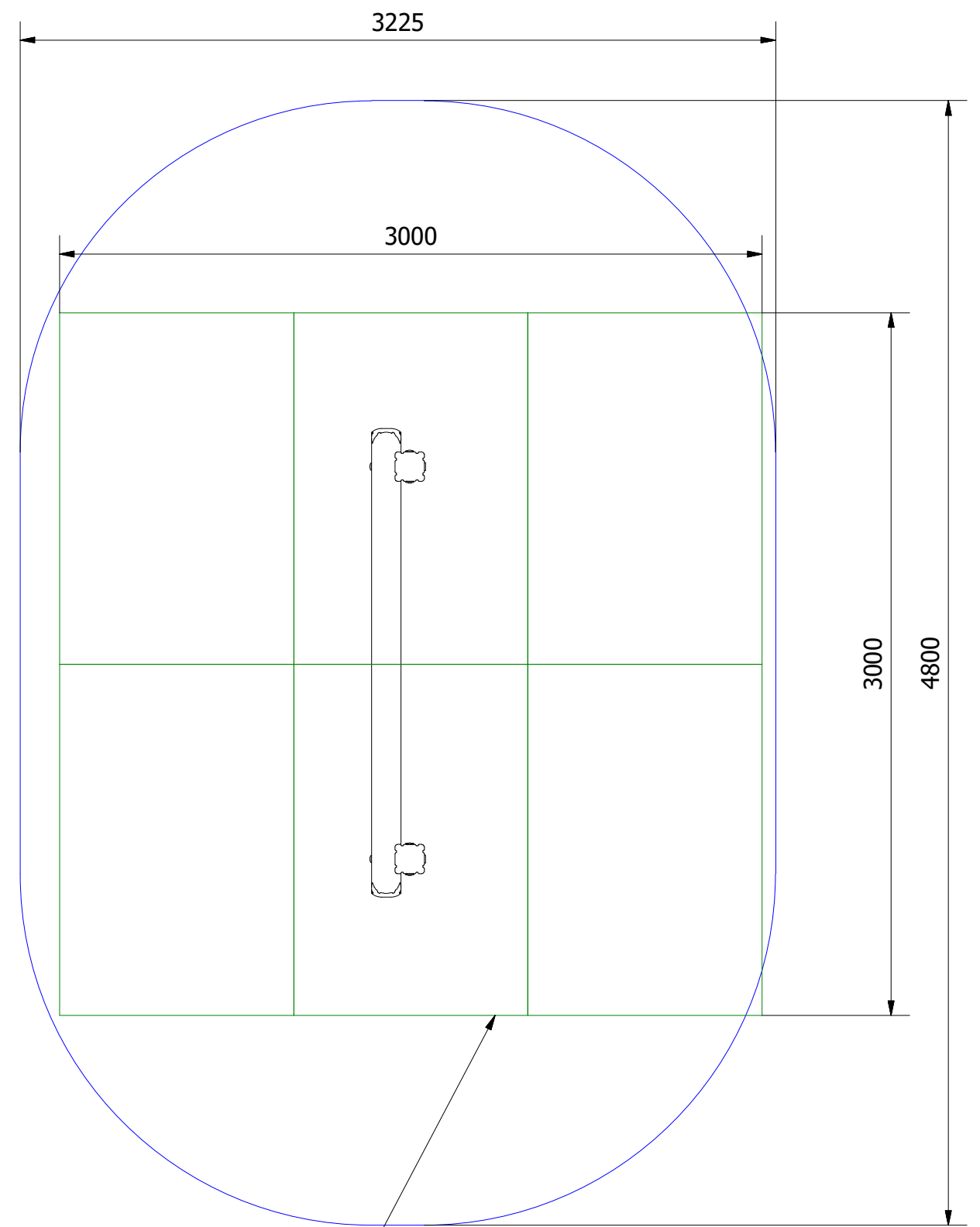
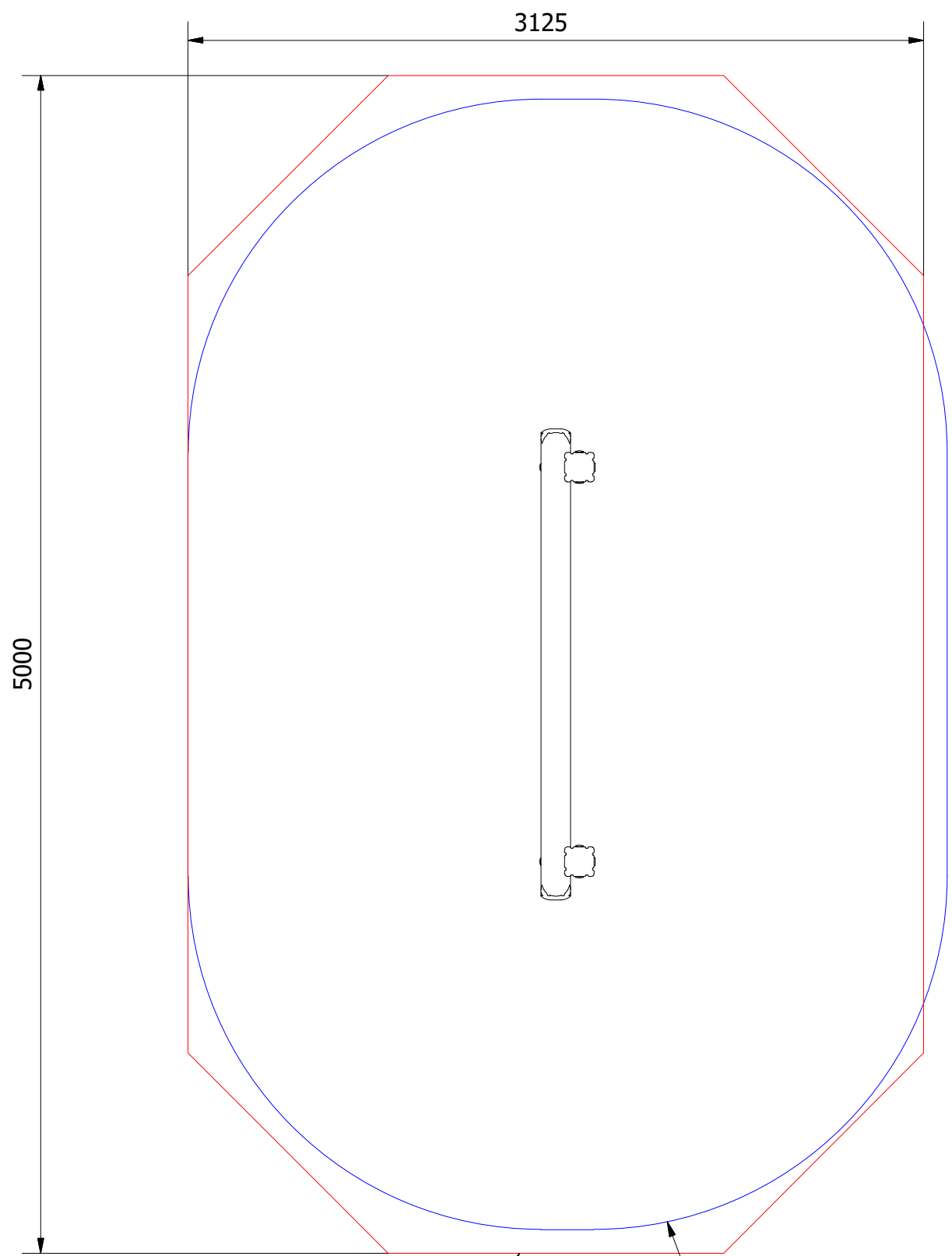
Tel: 01354 638359 www.onlineplaygrounds.co.uk

Date:
21/09/2020

Page:

A3





6 SAFAGRASS TILES (1.5 X 1.0M)

MIN SPACE

WETPOUR AREA = 14.3M²
PERIMETER = 14.2 L/M

UNLESS OTHERWISE SPECIFIED:
DIMENSIONS ARE IN MILLIMETERS
TOLERANCES:
LINEAR: ±2MM
1 DECIMAL PLACE: ±0.5MM
ANGULAR: ±1°

PROPRIETARY AND CONFIDENTIAL
THE INFORMATION CONTAINED IN THIS
DRAWING IS THE SOLE PROPERTY OF
FENLAND LEISURE PRODUCTS. ANY
REPRODUCTION IN PART OR AS A WHOLE
WITHOUT THE WRITTEN PERMISSION
OF FENLAND
LEISURE PRODUCTS IS PROHIBITED.

Title: PRO-500-095 JUMP BARRIER (FC31)_SF

Product Range: FITNESS TRAIL

Date:
21/09/2020

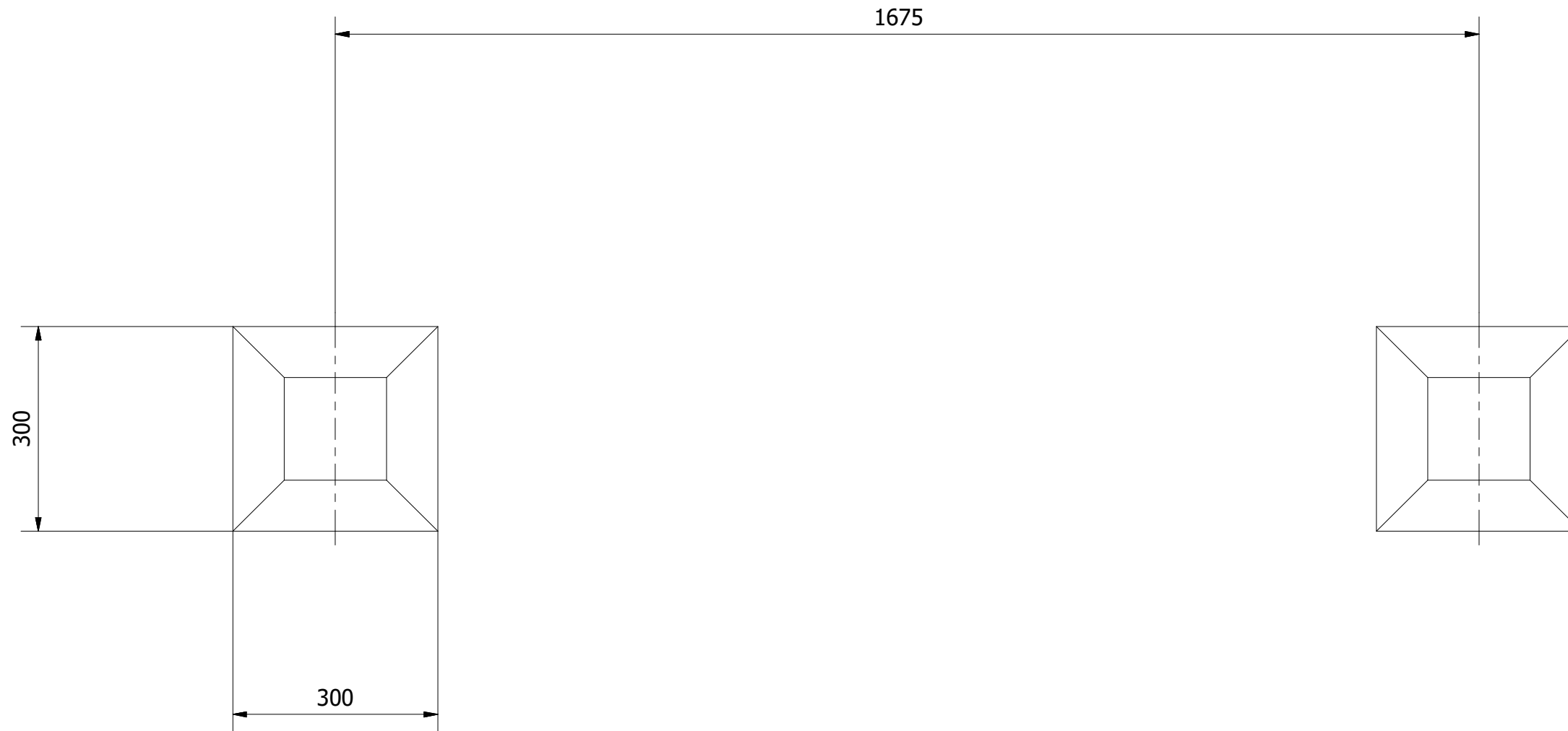
Page:

A3




DO NOT SCALE FROM DRAWING

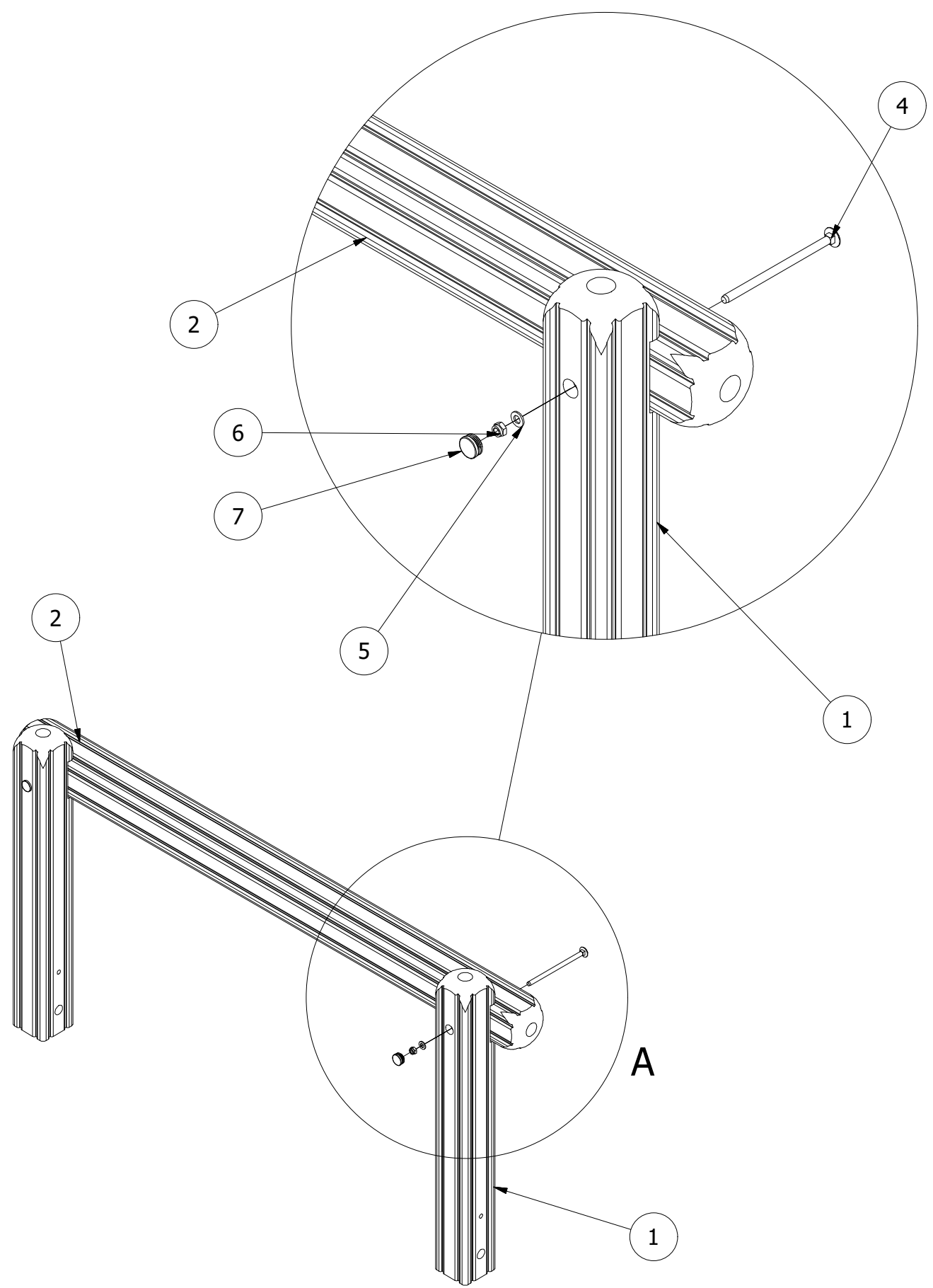
Tel: 01354 638359 www.onlineplaygrounds.co.uk



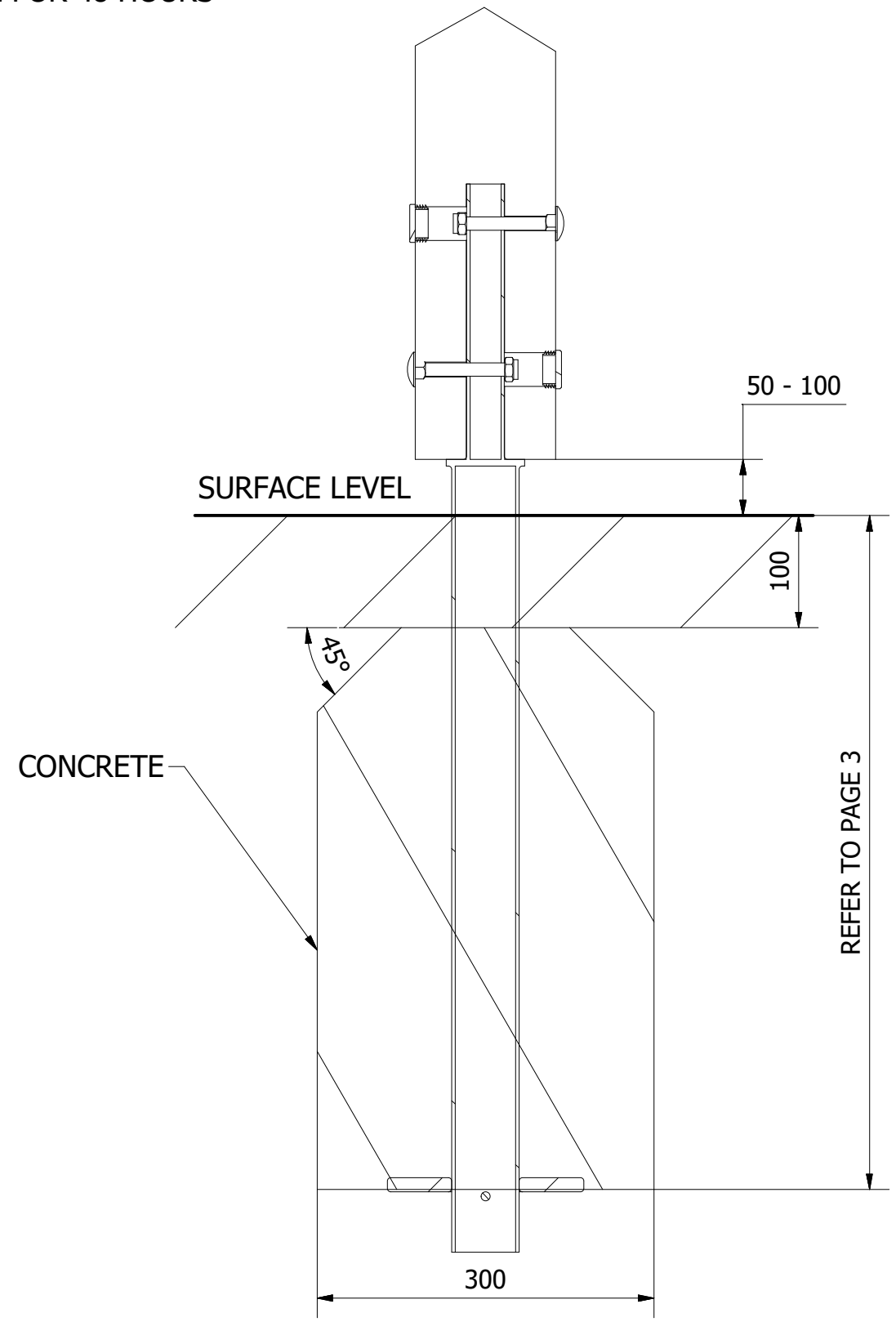
ALL FOUNDATIONS 300 X 300 X 600 DEEP UNLESS OTHERWISE SPECIFIED

UNLESS OTHERWISE SPECIFIED: DIMENSIONS ARE IN MILLIMETERS TOLERANCES: LINEAR: ±2MM 1 DECIMAL PLACE: ±0.5MM ANGULAR: ±1°	PROPRIETARY AND CONFIDENTIAL THE INFORMATION CONTAINED IN THIS DRAWING IS THE SOLE PROPERTY OF FENLAND LEISURE PRODUCTS. ANY REPRODUCTION IN PART OR AS A WHOLE WITHOUT THE WRITTEN PERMISSION OF FENLAND LEISURE PRODUCTS IS PROHIBITED.	Title: PRO-500-095 JUMP BARRIER (FC31)_SF	
		Product Range: FITNESS TRAIL	
		Date: 21/09/2020	
		Page: A3	
		DO NOT SCALE FROM DRAWING	
		Tel: 01354 638359 www.onlineplaygrounds.co.uk	

1. AS SHOWN BELOW, CREATE THE H-FRAME BY CONNECTING POST ITEM 1, TO POST ITEM 2 USING THE SUPPLIED FIXINGS. POSITION THE FRAME INTO THE FOUNDATION HOLES DETAILED ON PREVIOUS PAGE.



2. FINALLY, ENSURE THE UNIT IS LEVEL & PLUMB, ALL FIXINGS HAVE BEEN TIGHTENED AND PROTECTIVE CAPS IN PLACE. ADD CONCRETE TO THE FOUNDATION HOLE AND LEAVE FOR 48 HOURS



UNLESS OTHERWISE SPECIFIED: DIMENSIONS ARE IN MILLIMETERS TOLERANCES: LINEAR: ±2MM 1 DECIMAL PLACE: ±0.5MM ANGULAR: ±1°	PROPRIETARY AND CONFIDENTIAL THE INFORMATION CONTAINED IN THIS DRAWING IS THE SOLE PROPERTY OF FENLAND LEISURE PRODUCTS. ANY REPRODUCTION IN PART OR AS A WHOLE WITHOUT THE WRITTEN PERMISSION OF FENLAND LEISURE PRODUCTS IS PROHIBITED.	Title: PRO-500-095 JUMP BARRIER (FC31)_SF	
		Product Range: FITNESS TRAIL	
		Date: 21/09/2020	
		Page: A3	
		DO NOT SCALE FROM DRAWING	
Tel: 01354 638359 www.onlineplaygrounds.co.uk			