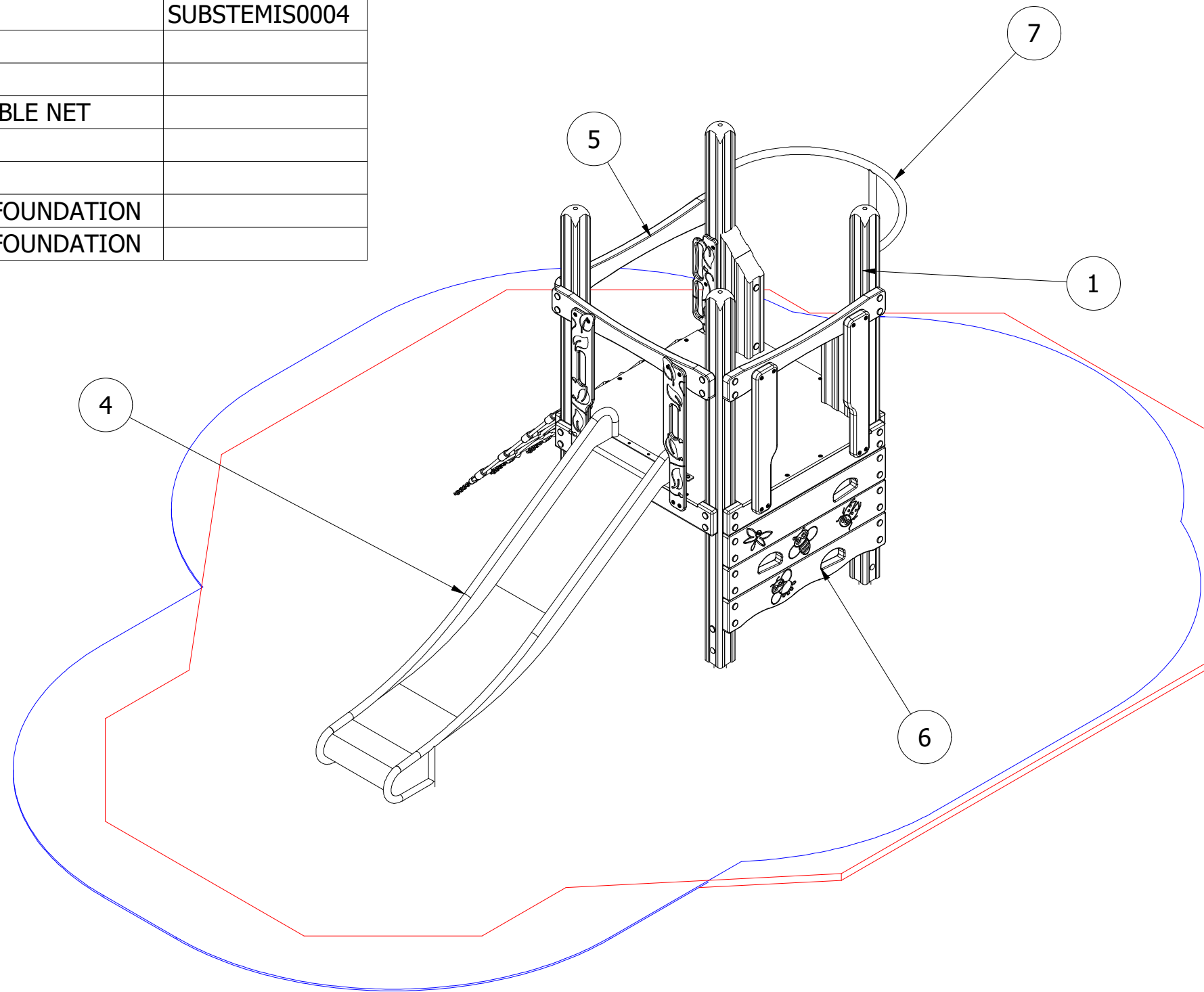
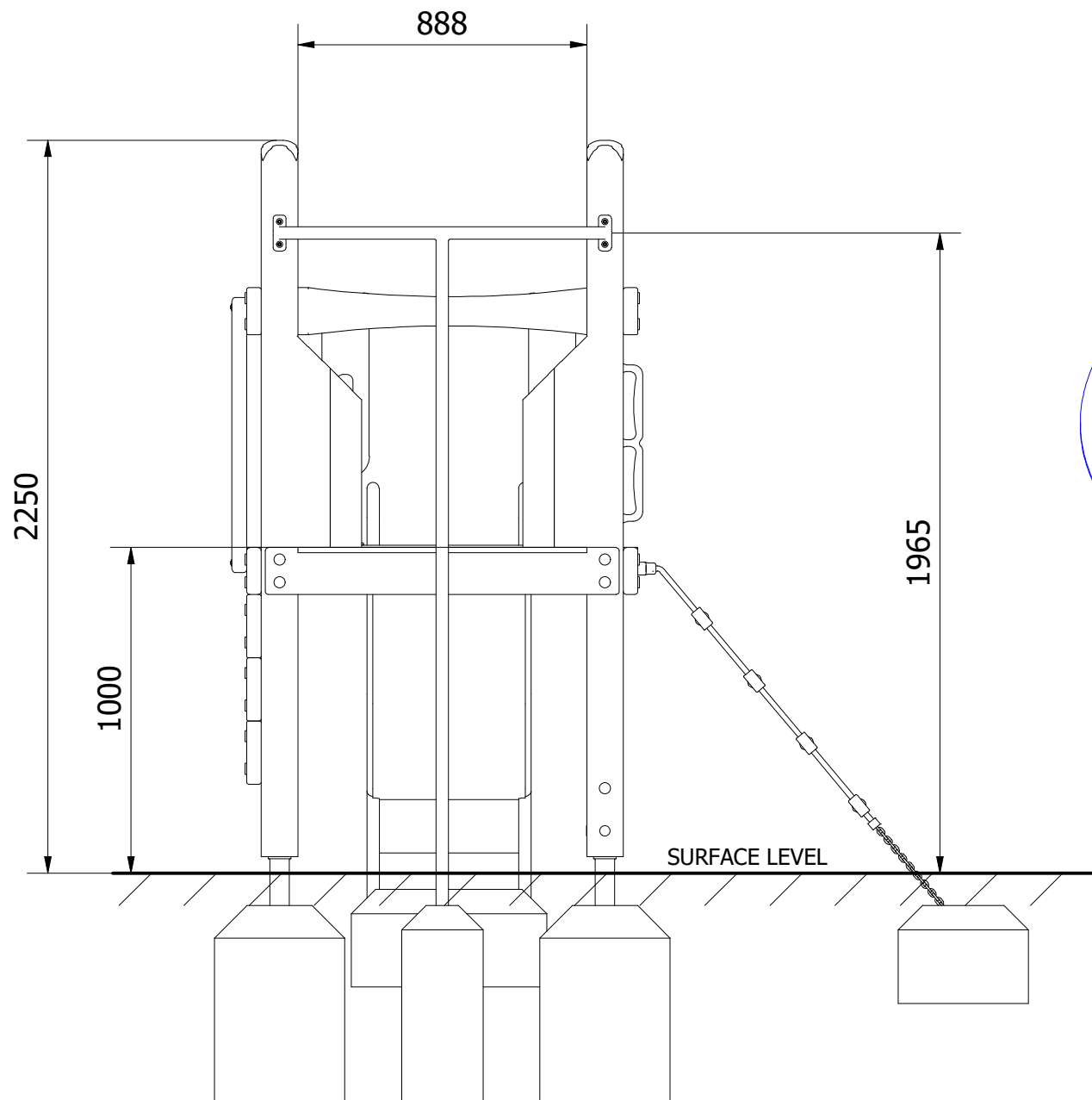


PARTS LIST

ITEM	QTY	PART NUMBER	DESCRIPTION	STOCK NUMBER
1	4	TB-200-032_B	2700 (2200 PF) X 112MM SAFALOG	COMTIMSAF0002
2	4	MOD-600-116 GROUND FOOT	GROUND FOOT (112)	SUBSTEMIS0004
3	1	MOD-600-044 MULTIPLAY DECK	1200 X 1200 DECK	
4	1	MOD-600-123 1M ORCHARD SLIDE	1M ORCHARD SLIDE	
5	1	MOD-600-124 1M ORCHARD SCRAMBLE NET	1M ORCHARD SCRAMBLE NET	
6	1	MOD-600-126 1M CLIMBING WALL	1M CLIMBING WALL	
7	1	MOD-600-145 FIREMANS POLE	FIREMANS POLE	
8	4	400 x 400 x 600	0.096M ³ CONCRETE FOUNDATION	
9	1	250 x 250 x 600	0.038M ³ CONCRETE FOUNDATION	



UNLESS OTHERWISE SPECIFIED:
DIMENSIONS ARE IN MILLIMETERS
TOLERANCES:
LINEAR: ±2MM
1 DECIMAL PLACE: ±0.5MM
ANGULAR: ±1°

PROPRIETARY AND CONFIDENTIAL
THE INFORMATION CONTAINED IN THIS
DRAWING IS THE SOLE PROPERTY OF
FENLAND LEISURE PRODUCTS. ANY
REPRODUCTION IN PART OR AS A WHOLE
WITHOUT THE WRITTEN PERMISSION
OF FENLAND
LEISURE PRODUCTS IS PROHIBITED.

Title: **PRO-500-037 ESSENTIAL TOWER**

Product Range: **PLAYGROUND EQUIPMENT**

Date:
24/11/2022

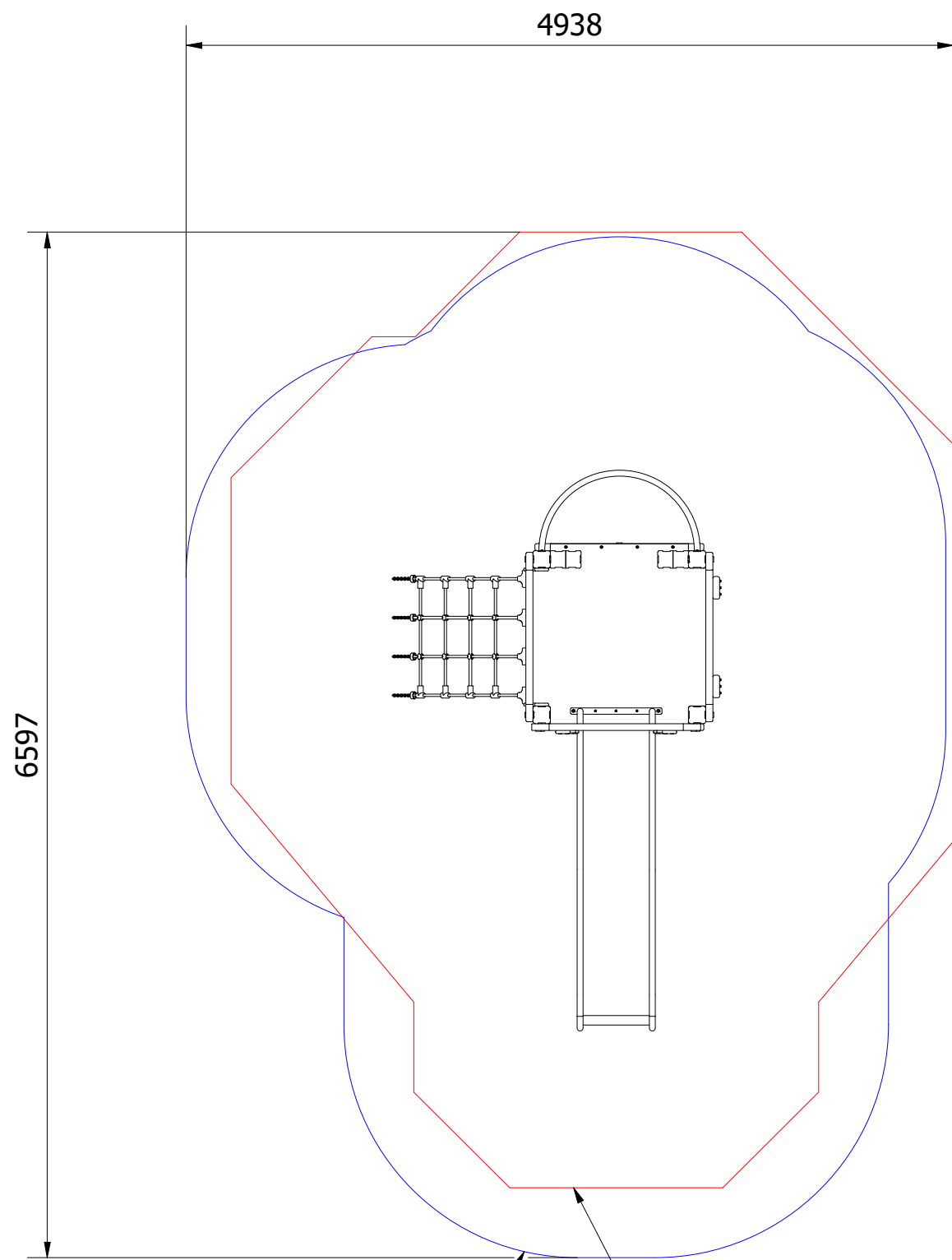
Page: 1

A3



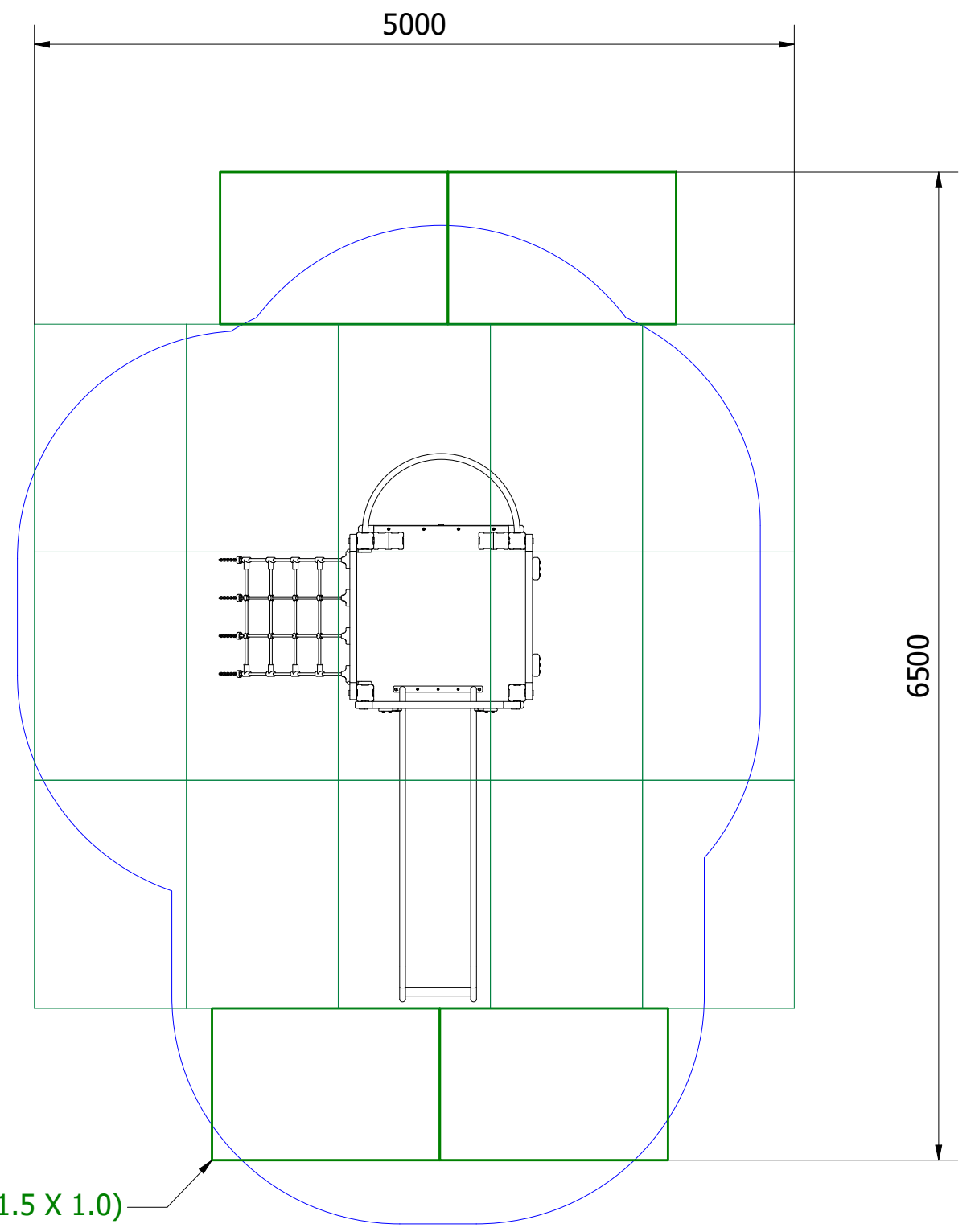
DO NOT SCALE FROM DRAWING

Tel: 01354 638359 www.onlineplaygrounds.co.uk



WETPOUR AREA = 22.2M²
PERIMETER = 17.9 L/M

MIN SPACE



19 SAFAGRASS TILES (1.5 X 1.0)

UNLESS OTHERWISE SPECIFIED:
DIMENSIONS ARE IN MILLIMETERS
TOLERANCES:
LINEAR: ±2MM
1 DECIMAL PLACE: ±0.5MM
ANGULAR: ±1°

PROPRIETARY AND CONFIDENTIAL
THE INFORMATION CONTAINED IN THIS
DRAWING IS THE SOLE PROPERTY OF
FENLAND LEISURE PRODUCTS. ANY
REPRODUCTION IN PART OR AS A WHOLE
WITHOUT THE WRITTEN PERMISSION
OF FENLAND
LEISURE PRODUCTS IS PROHIBITED.

Title: **PRO-500-037 ESSENTIAL TOWER**

Product Range: **MULTIPLAY TOWERS**

Date:
24/11/2022

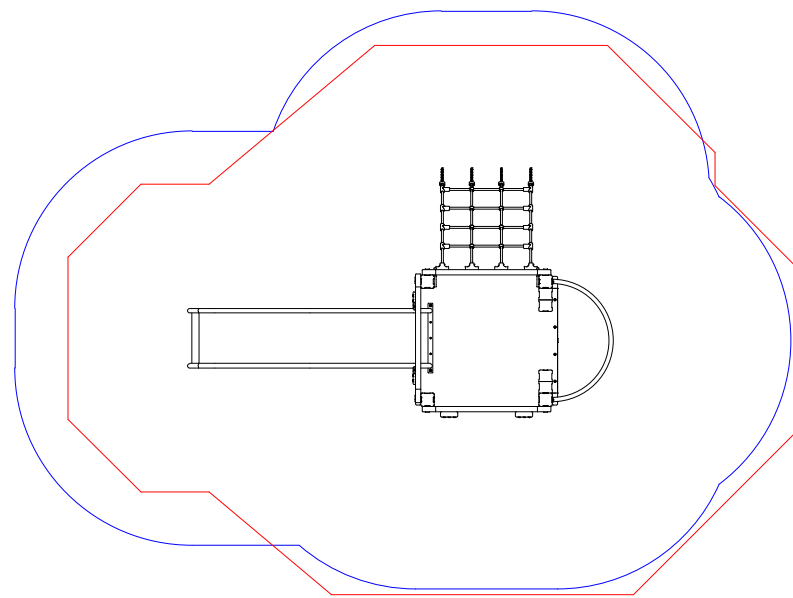
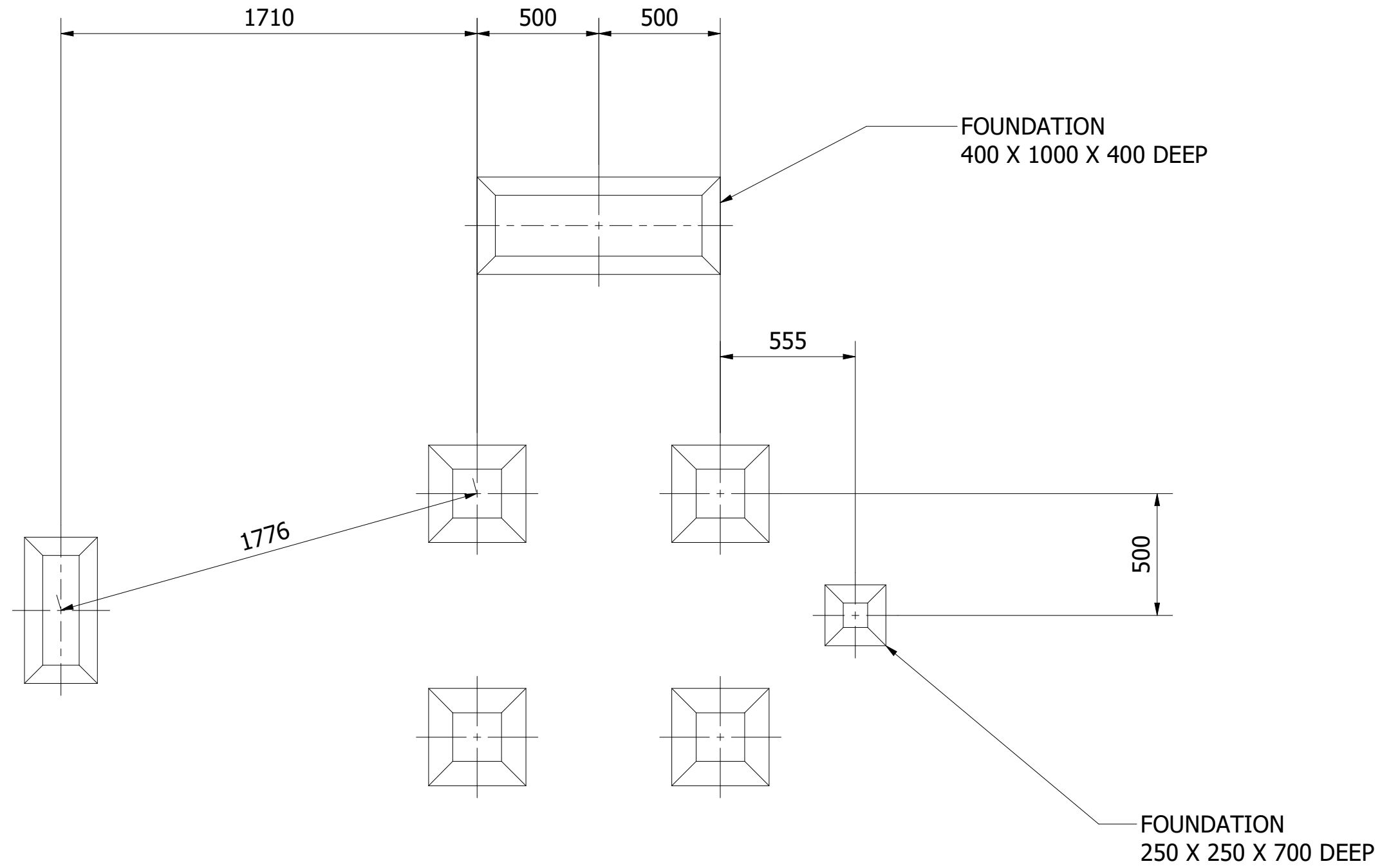
Page: 2

A3



DO NOT SCALE FROM DRAWING

Tel: 01354 638359 www.onlineplaygrounds.co.uk



ALL FOUNDATIONS 400 X 400 X 700 DEEP UNLESS OTHERWISE SPECIFIED

UNLESS OTHERWISE SPECIFIED:
DIMENSIONS ARE IN MILLIMETERS
TOLERANCES:
LINEAR: ±2MM
1 DECIMAL PLACE: ±0.5MM
ANGULAR: ±1°

PROPRIETARY AND CONFIDENTIAL
THE INFORMATION CONTAINED IN THIS
DRAWING IS THE SOLE PROPERTY OF
FENLAND LEISURE PRODUCTS. ANY
REPRODUCTION IN PART OR AS A WHOLE
WITHOUT THE WRITTEN PERMISSION
OF FENLAND
LEISURE PRODUCTS IS PROHIBITED.

Title: **PRO-500-037 ESSENTIAL TOWER**

Product Range: **PLAYGROUND EQUIPMENT**

Date:
24/11/2022

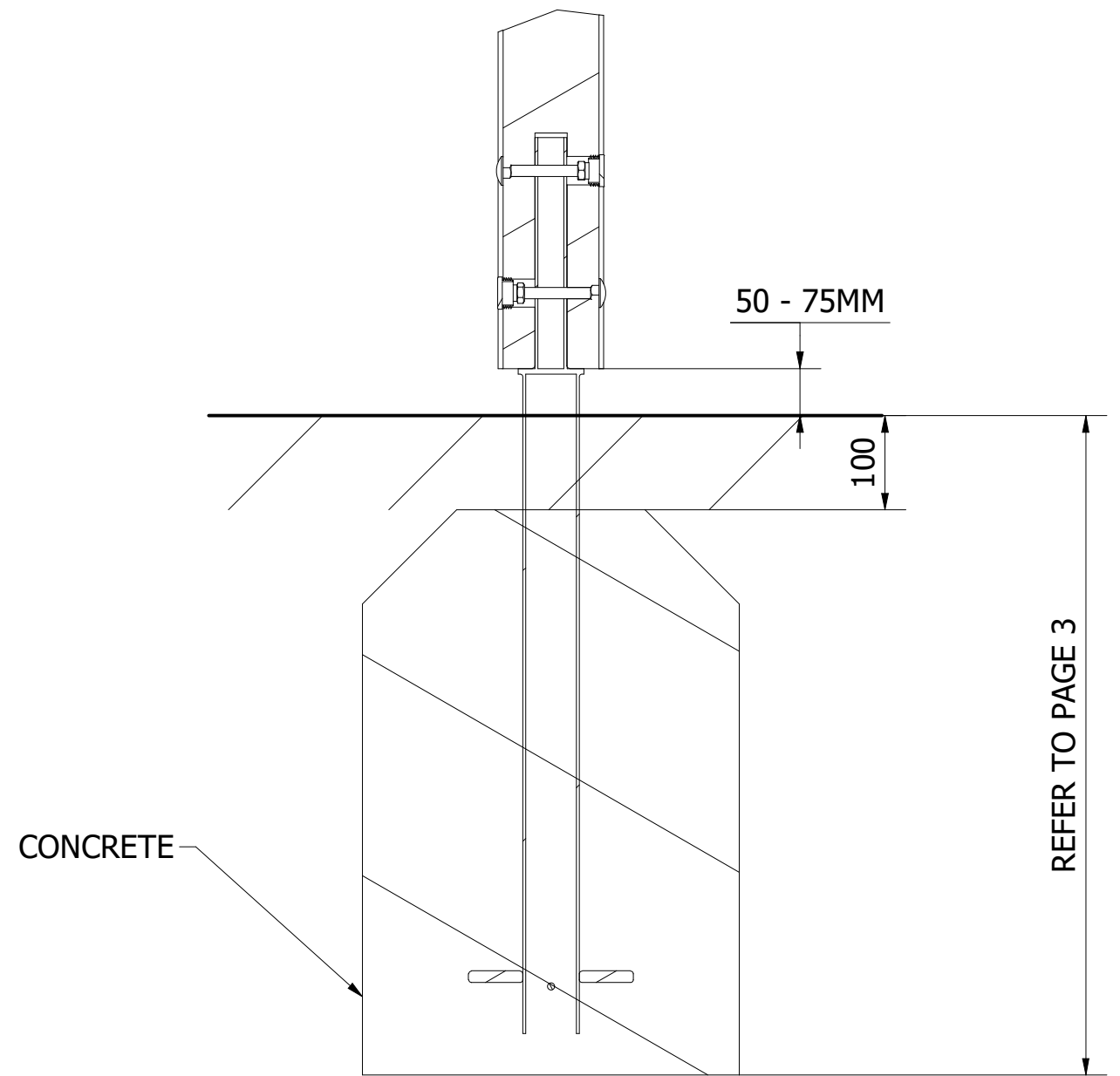
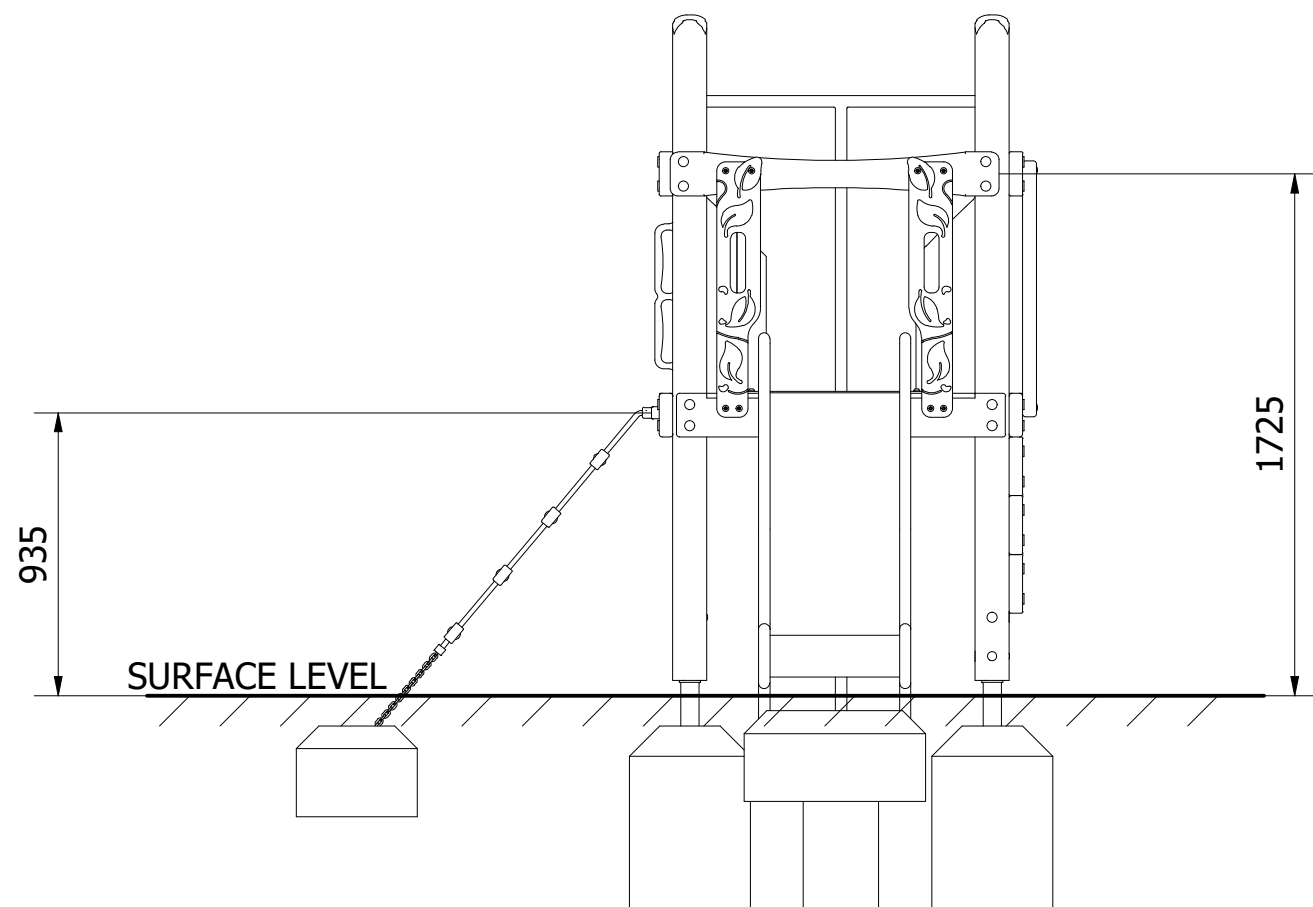
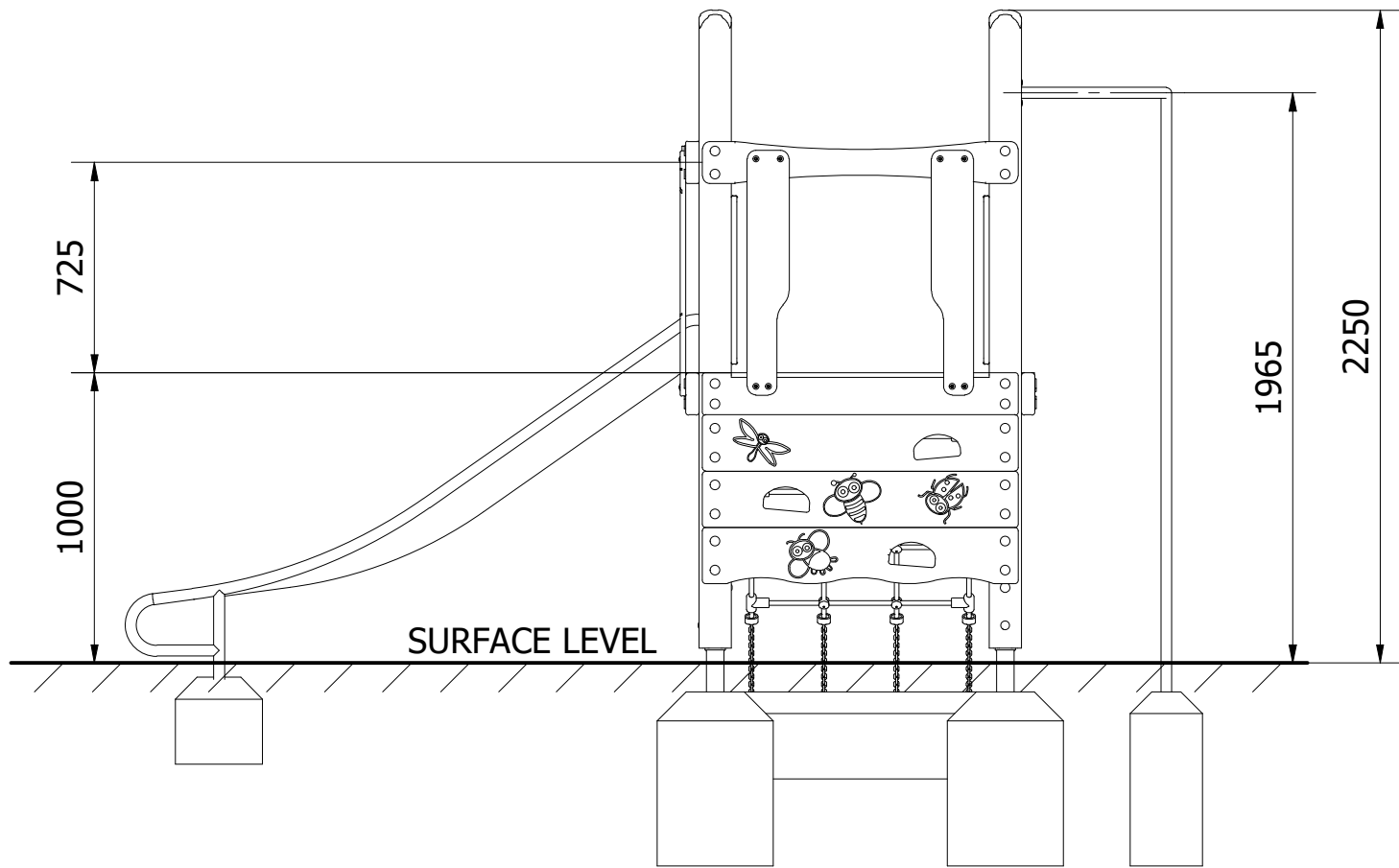
Page: 3

A3



DO NOT SCALE FROM DRAWING

Tel: 01354 638359 www.onlineplaygrounds.co.uk



UNLESS OTHERWISE SPECIFIED:
DIMENSIONS ARE IN MILLIMETERS
TOLERANCES:
LINEAR: ±2MM
1 DECIMAL PLACE: ±0.5MM
ANGULAR: ±1°

PROPRIETARY AND CONFIDENTIAL
THE INFORMATION CONTAINED IN THIS
DRAWING IS THE SOLE PROPERTY OF
FENLAND LEISURE PRODUCTS. ANY
REPRODUCTION IN PART OR AS A WHOLE
WITHOUT THE WRITTEN PERMISSION
OF FENLAND
LEISURE PRODUCTS IS PROHIBITED.

Title: **PRO-500-037 ESSENTIAL TOWER**

Product Range: **PLAYGROUND EQUIPMENT**

Date:
24/11/2022

Page: 4

A3



DO NOT SCALE FROM DRAWING

Tel: 01354 638359 www.onlineplaygrounds.co.uk