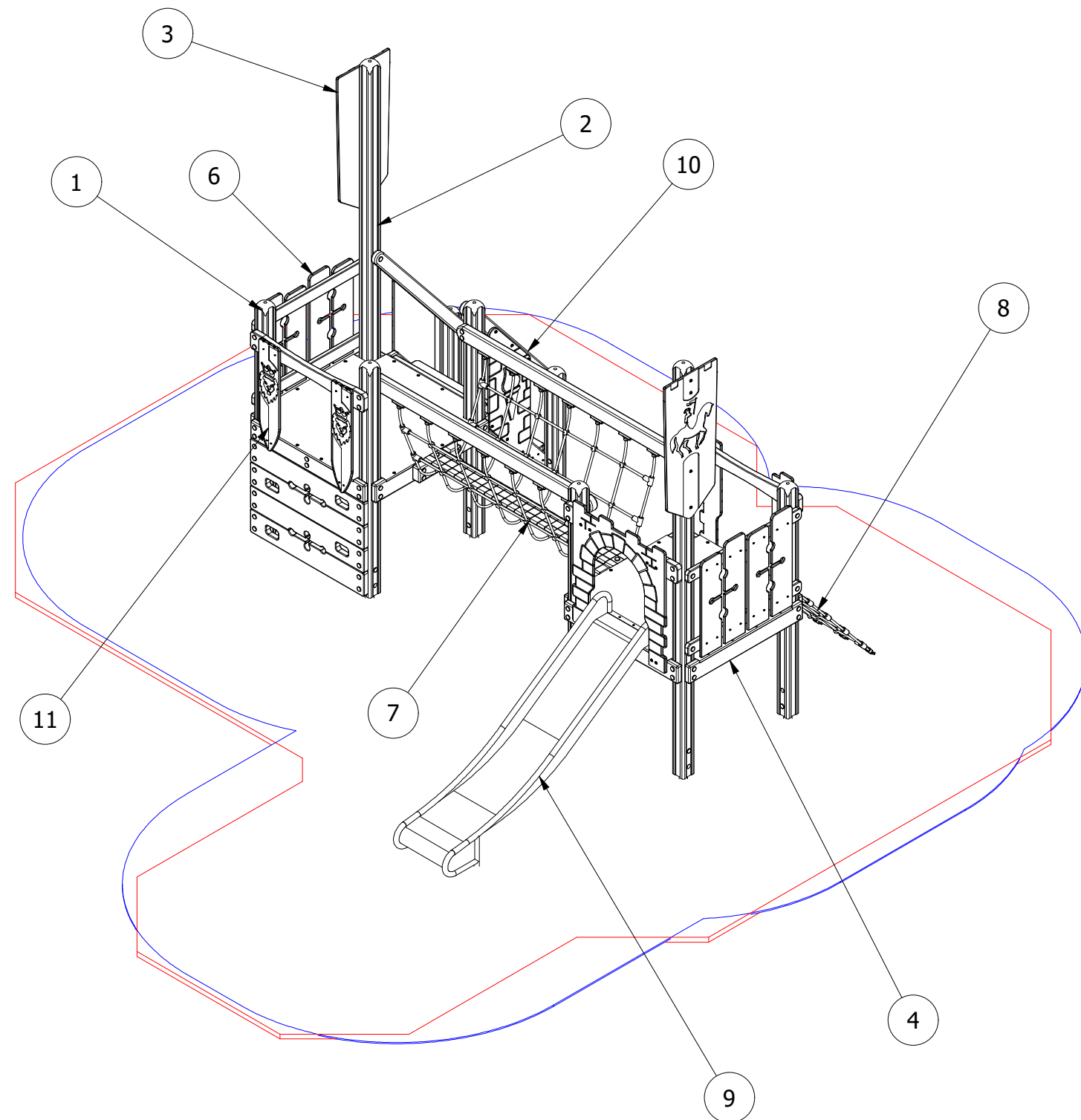
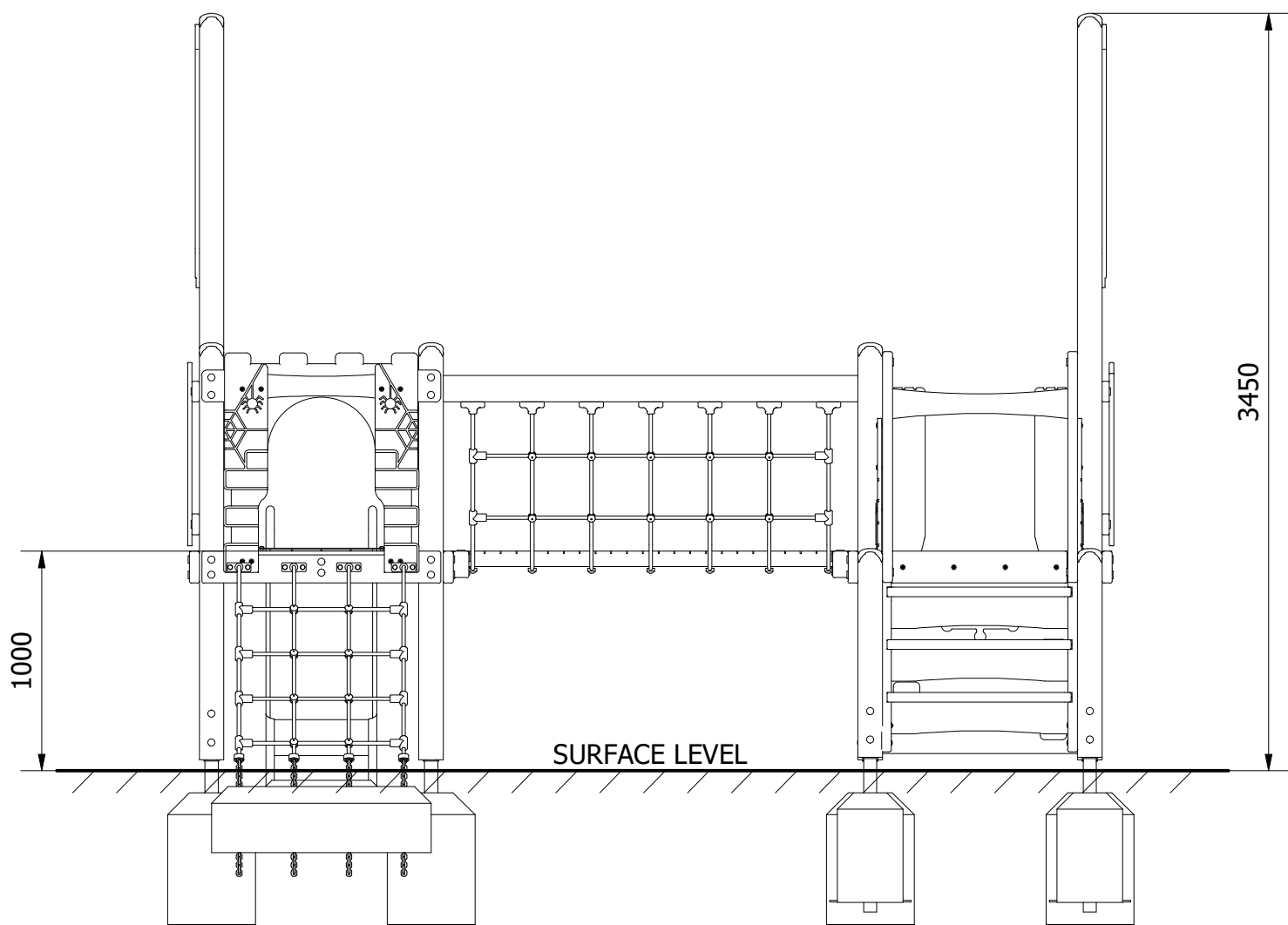


PARTS LIST

ITEM	QTY	PART NUMBER	DESCRIPTION	STOCK NUMBER
1	6	TB-200-535	1900 x 112mm Safalog	COMTIMSAF0002
2	2	TB-200-873	3400 X 112MM (POST INSERT)	COMTIMSAF0002
3	2	PE-400-179	CASTLE FLAG	COMHDPERYR19
4	2	MOD-600-044 MULTIPLAY DECK	1200 X 1200 DECK	
5	8	MOD-600-116 GROUND FOOT	GROUND FOOT (112)	SUBSTEMIS0004
6	2	MOD-600-155 CASTLE BARRIER	CASTLE BARRIER	
7	1	MOD-600-179 CASTLE FIXED BRIDGE	2.0M FIXED BRIDGE	
8	1	MOD-600-186 1.0M CASTLE SCRAMBLE NET	1.0M SCRAMBLE NET	
9	1	MOD-600-185 1.0M CASTLE SLIDE	1.0M CASTLE SLIDE	
10	1	MOD-600-187 1M CASTLE STAIRS	1.0M CASTLE STAIRS	
11	1	MOD-600-188 1.0M CASTLE CLIMBING WALL	1.0M CASTLE CLIMBING WALL	
12	8	M8 X 50 TORX WASHER HEAD	50MM WASHER SCREW	COMA2WH8X50
13	8	400 x 400 x 600	0.096M ³ CONCRETE FOUNDATION	



UNLESS OTHERWISE SPECIFIED:
DIMENSIONS ARE IN MILLIMETERS
TOLERANCES:
LINEAR: ±2MM
1 DECIMAL PLACE: ±0.5MM
ANGULAR: ±1°

PROPRIETARY AND CONFIDENTIAL
THE INFORMATION CONTAINED IN THIS DRAWING IS THE SOLE PROPERTY OF FENLAND LEISURE PRODUCTS. ANY REPRODUCTION IN PART OR AS A WHOLE WITHOUT THE WRITTEN PERMISSION OF FENLAND LEISURE PRODUCTS IS PROHIBITED.

Title: PRO-500-210 KING ARTHUR MULTIPLAY (CAST1)

Product Range: MULTIPLAY TOWER

1.0M FFH

Date:
16/03/2022

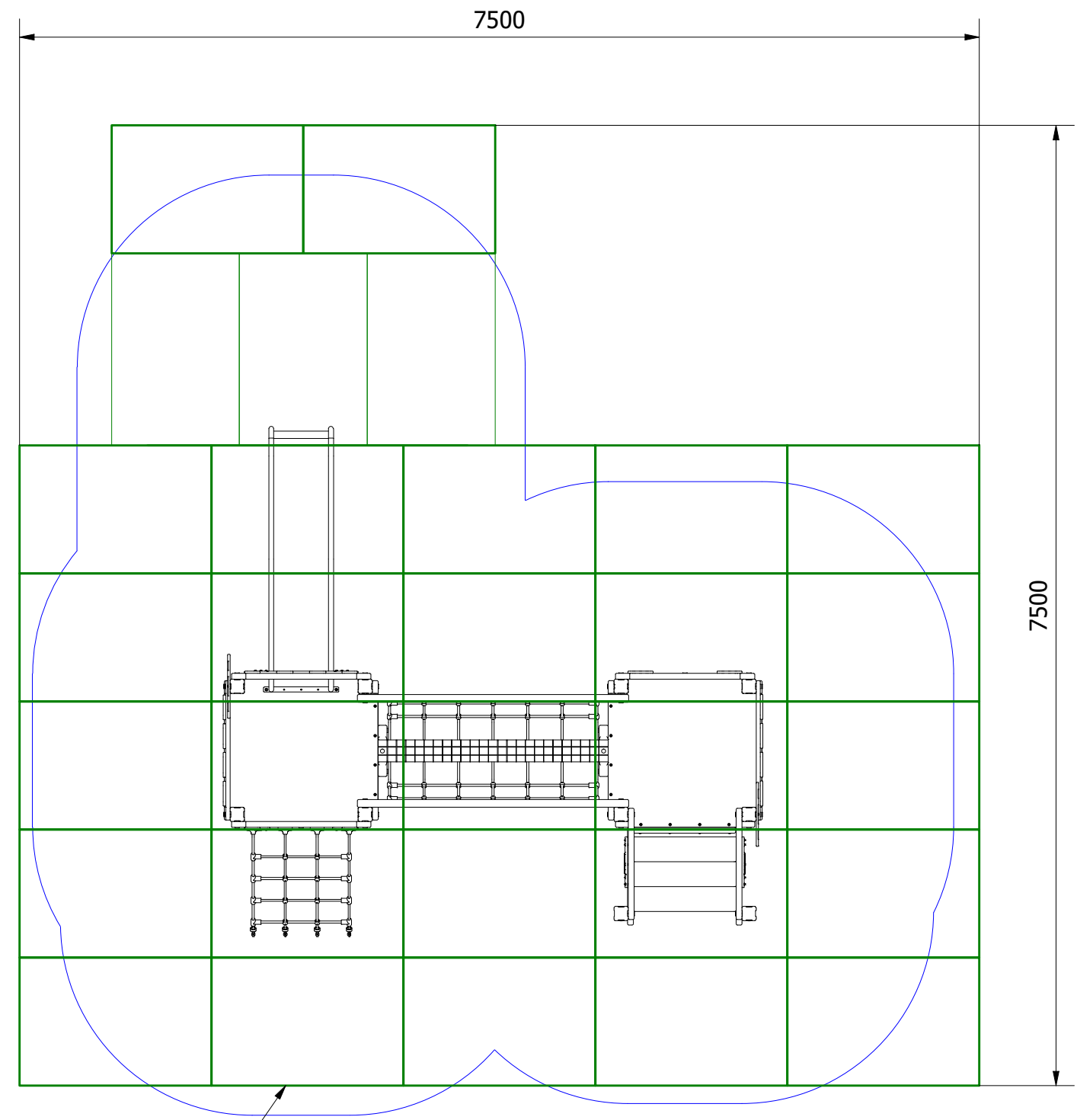
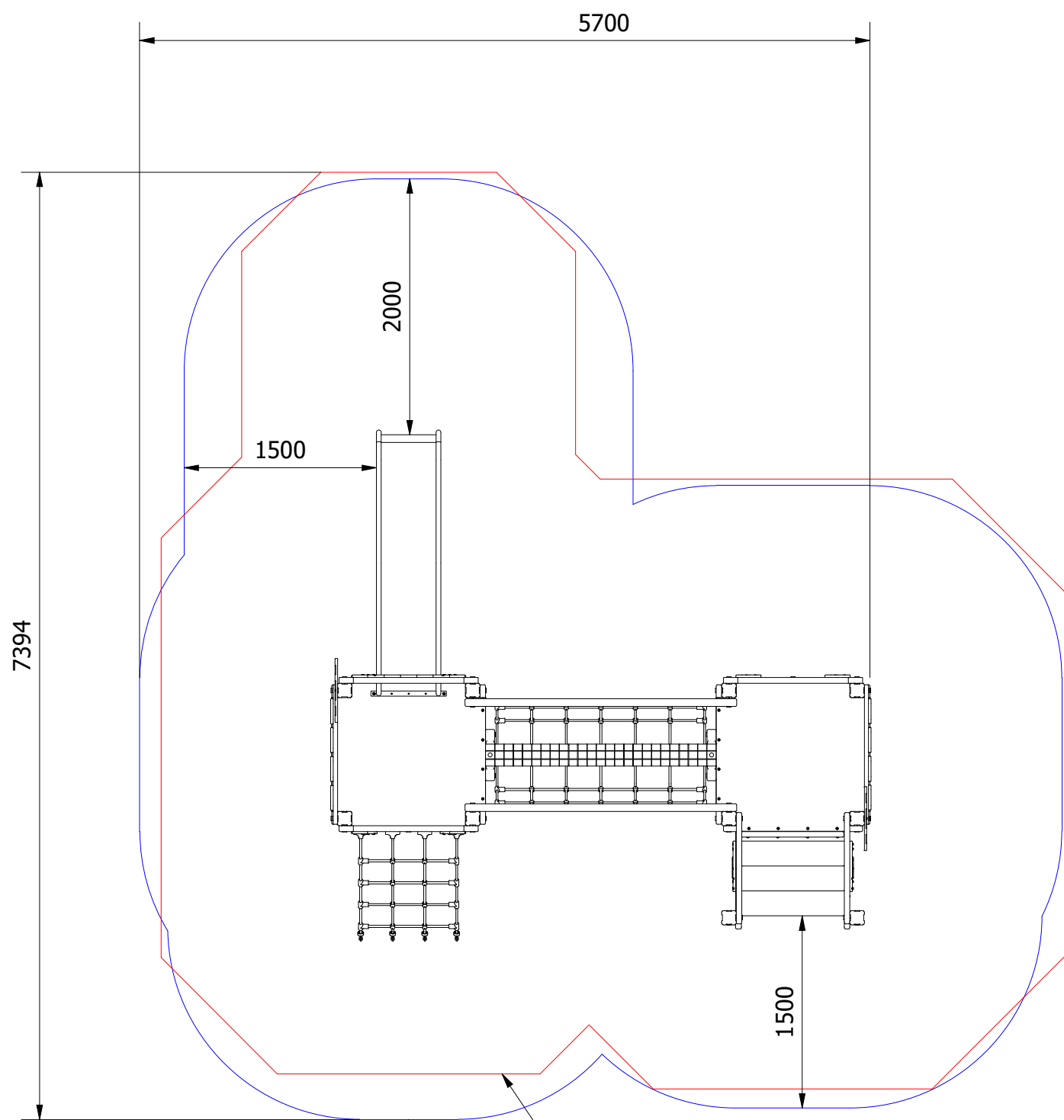
Page: 1

A3



DO NOT SCALE FROM DRAWING

Tel: 01354 638359 www.onlineplaygrounds.co.uk



30 SAFAGRASS TILES (1.5 X 1.0)

MIN SPACE

WETPOUR AREA = 37.8M²
PERIMETER = 25.9L/M

UNLESS OTHERWISE SPECIFIED:
DIMENSIONS ARE IN MILLIMETERS
TOLERANCES:
LINEAR: ±2MM
1 DECIMAL PLACE: ±0.5MM
ANGULAR: ±1°

PROPRIETARY AND CONFIDENTIAL
THE INFORMATION CONTAINED IN THIS
DRAWING IS THE SOLE PROPERTY OF
FENLAND LEISURE PRODUCTS. ANY
REPRODUCTION IN PART OR AS A WHOLE
WITHOUT THE WRITTEN PERMISSION
OF FENLAND
LEISURE PRODUCTS IS PROHIBITED.

Title: PRO-500-210 KING ARTHUR MULTIPLAY (CAST1)

Product Range: MULTIPLAY TOWER

Date:
16/03/2022

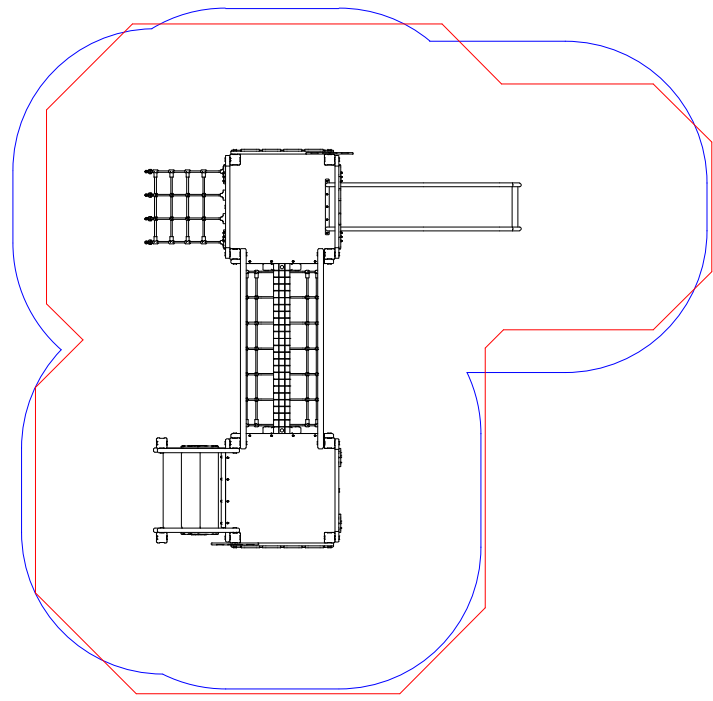
Page: 2

A3



DO NOT SCALE FROM DRAWING

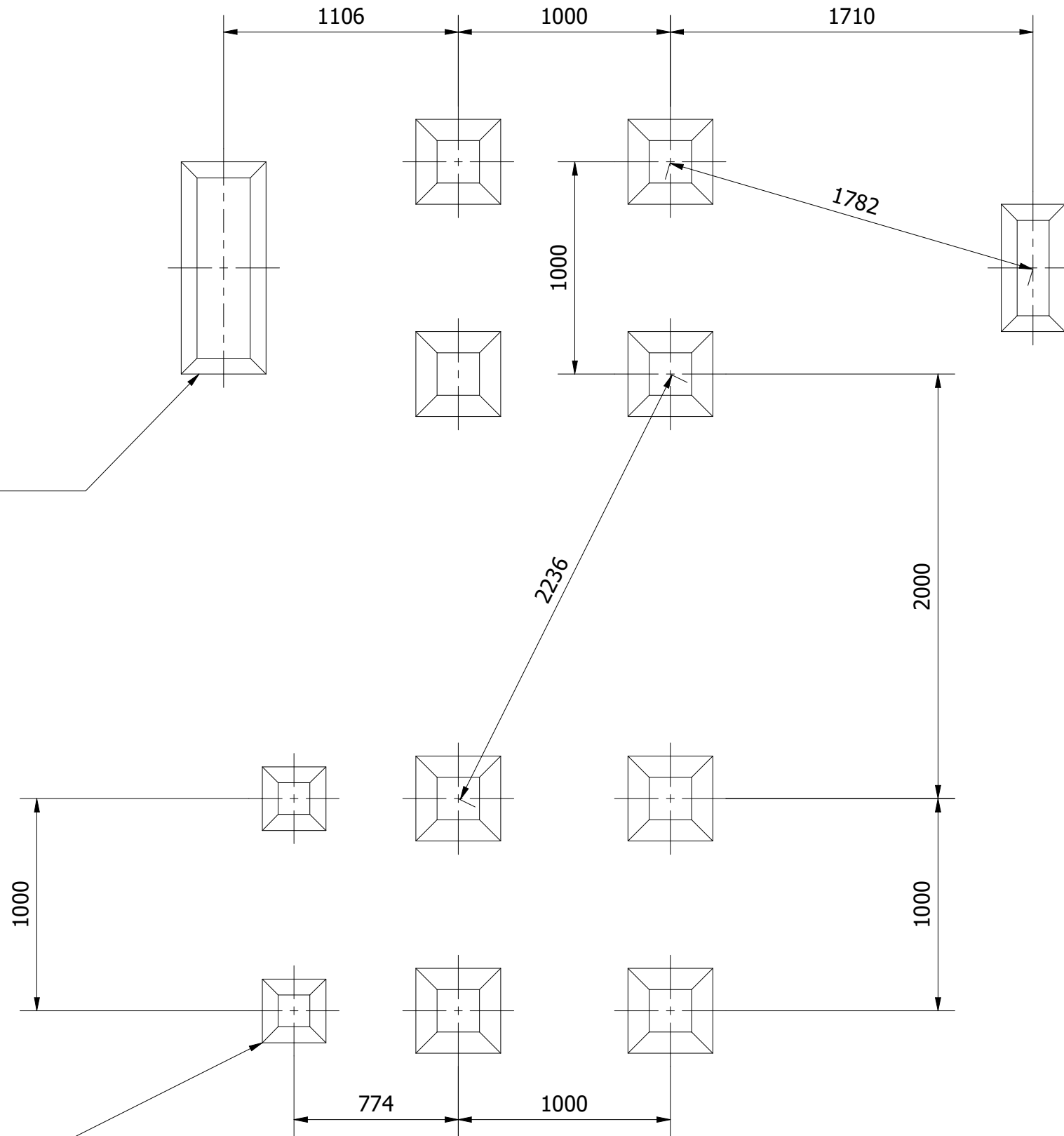
Tel: 01354 638359 www.onlineplaygrounds.co.uk



FOUNDATION
400 X 1000 X 400 DEEP

FOUNDATION
300 X 600 X 300 DEEP

FOUNDATION
300 X 300 X 600 DEEP



UNLESS OTHERWISE SPECIFIED:
DIMENSIONS ARE IN MILLIMETERS
TOLERANCES:
LINEAR: ±2MM
1 DECIMAL PLACE: ±0.5MM
ANGULAR: ±1°

PROPRIETARY AND CONFIDENTIAL
THE INFORMATION CONTAINED IN THIS
DRAWING IS THE SOLE PROPERTY OF
FENLAND LEISURE PRODUCTS. ANY
REPRODUCTION IN PART OR AS A WHOLE
WITHOUT THE WRITTEN PERMISSION
OF FENLAND
LEISURE PRODUCTS IS PROHIBITED.

Title: PRO-500-210 KING ARTHUR MULTIPLAY (CAST1)

Product Range: MULTIPLAY TOWER

Date:
16/03/2022

Page: 3

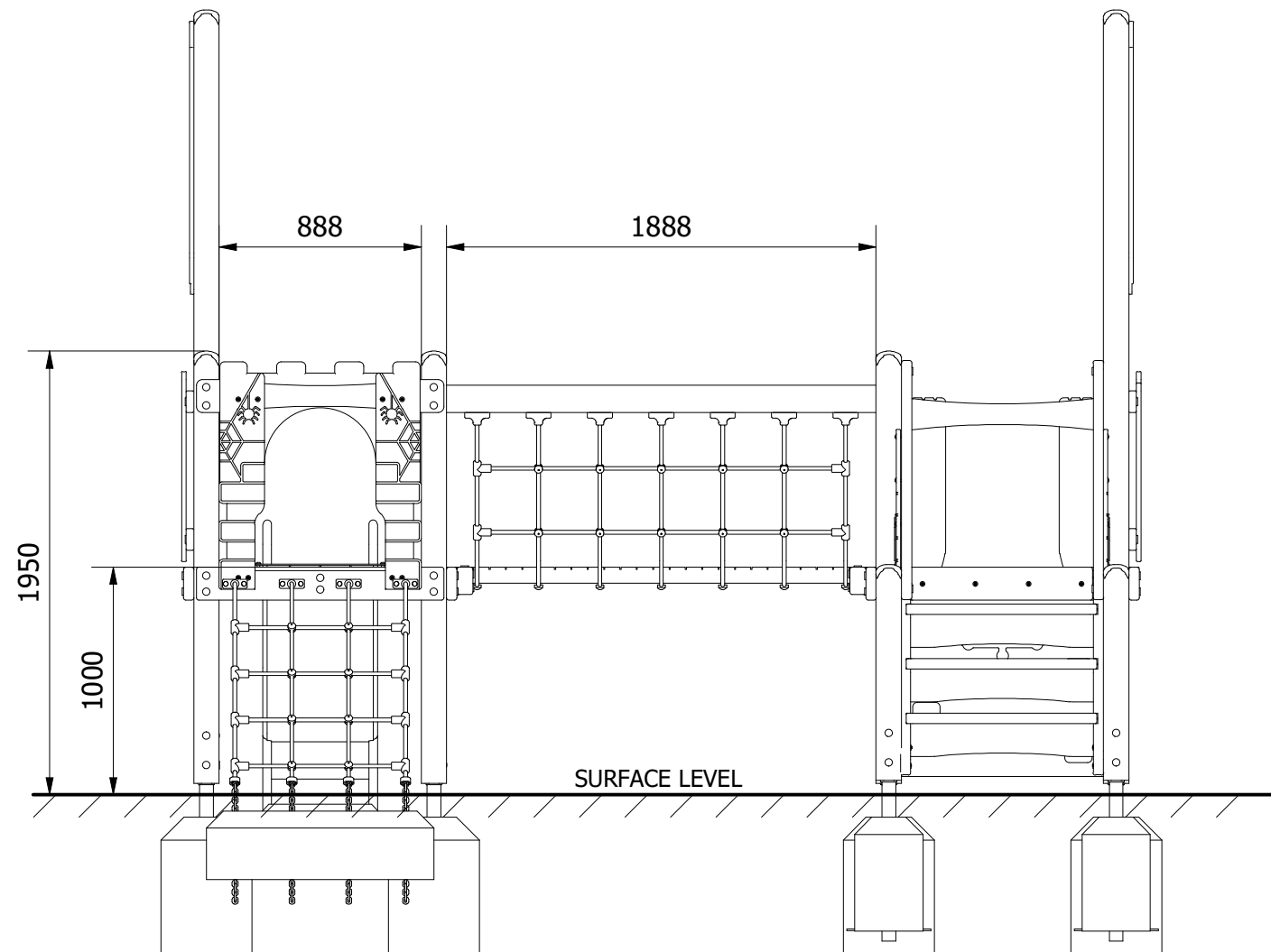
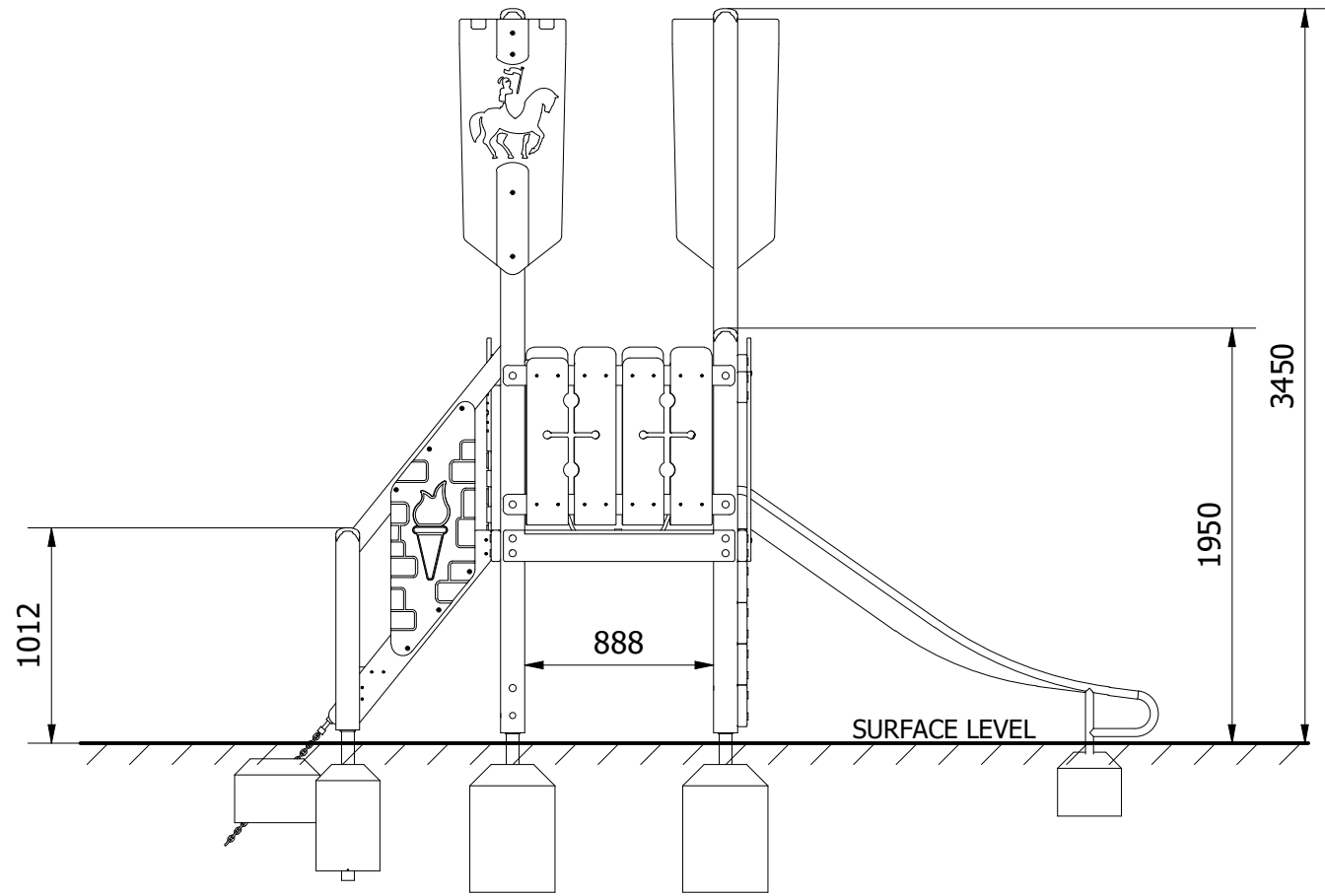
A3



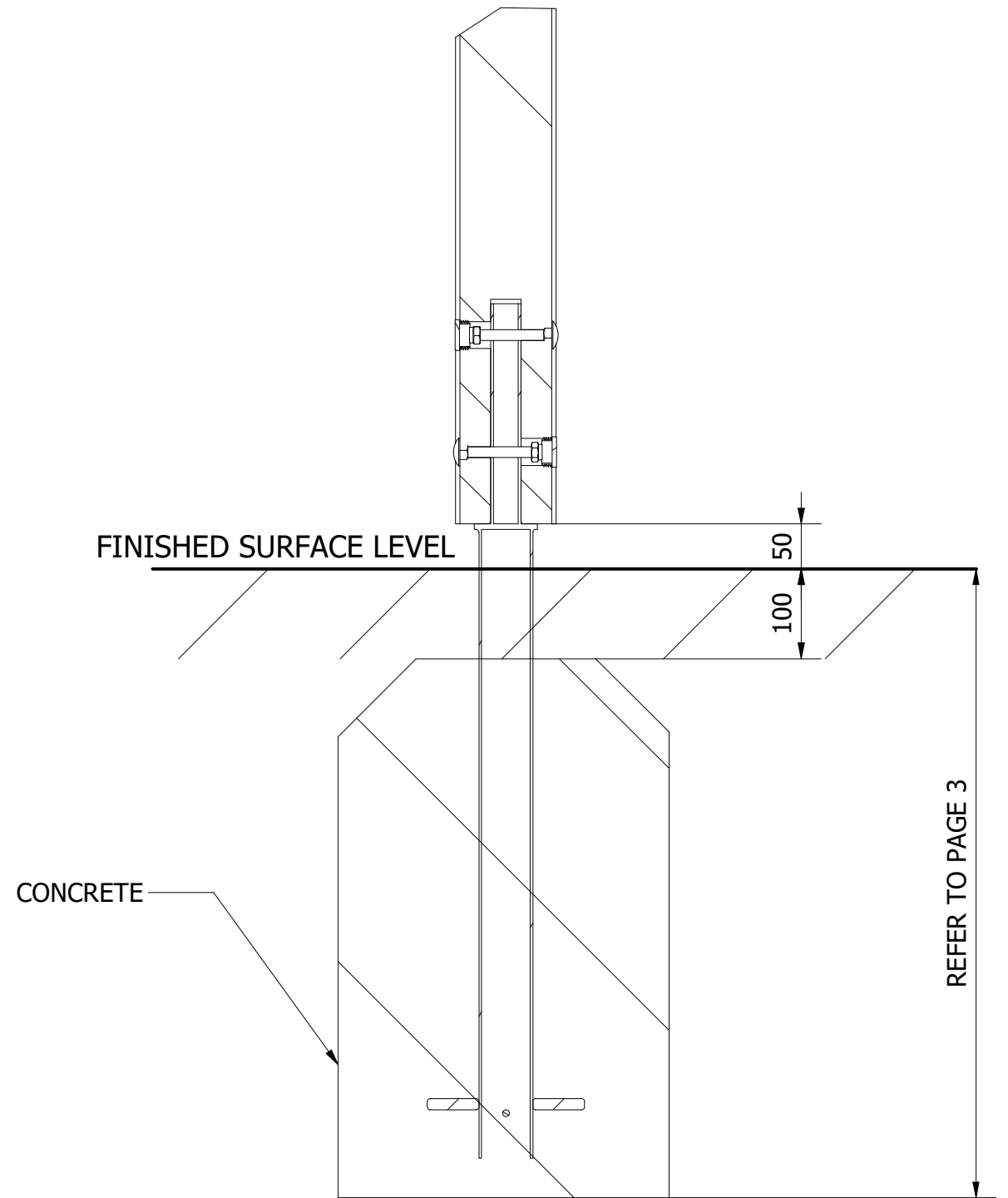
DO NOT SCALE FROM DRAWING

Tel: 01354 638359 www.onlineplaygrounds.co.uk

ALL FOUNDATIONS 400 X 400 X 600 DEEP UNLESS OTHERWISE SPECIFIED



ENSURE UNIT IS LEVEL AND PLUMB, ALL FIXINGS HAVE BEEN TIGHTENED AND PROTECTIVE CAPS IN PLACE. ADD CONCRETE TO EACH FOUNDATION HOLE AND LEAVE FOR 48 HOURS.



UNLESS OTHERWISE SPECIFIED:
DIMENSIONS ARE IN MILLIMETERS
TOLERANCES:
LINEAR: ±2MM
1 DECIMAL PLACE: ±0.5MM
ANGULAR: ±1°

PROPRIETARY AND CONFIDENTIAL
THE INFORMATION CONTAINED IN THIS DRAWING IS THE SOLE PROPERTY OF FENLAND LEISURE PRODUCTS. ANY REPRODUCTION IN PART OR AS A WHOLE WITHOUT THE WRITTEN PERMISSION OF FENLAND LEISURE PRODUCTS IS PROHIBITED.

Title: PRO-500-210 KING ARTHUR MULTIPLAY (CAST1)

Product Range: MULTIPLAY TOWER

Date:
16/03/2022

Page: 4

A3



DO NOT SCALE FROM DRAWING

Tel: 01354 638359 www.onlineplaygrounds.co.uk