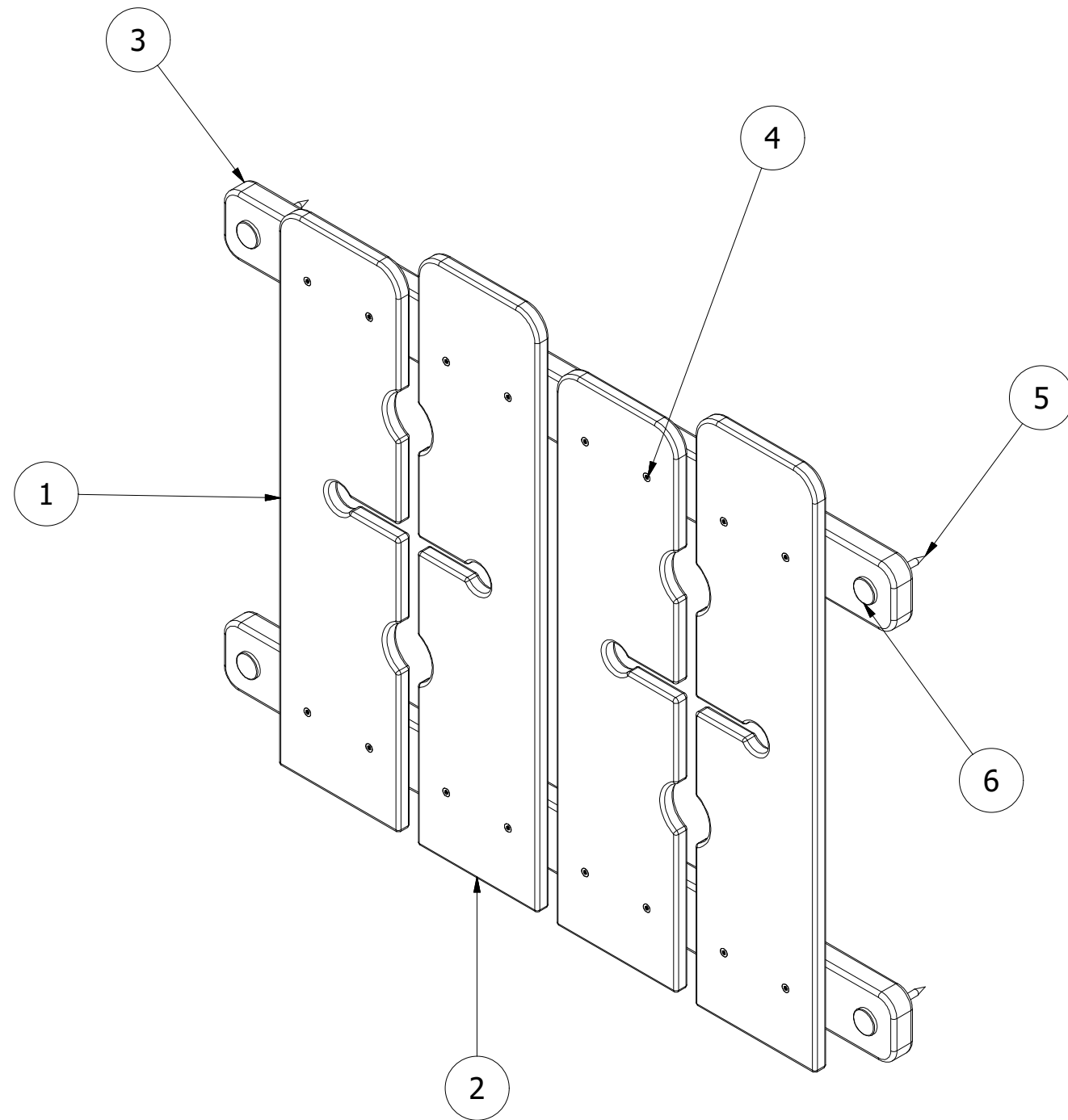
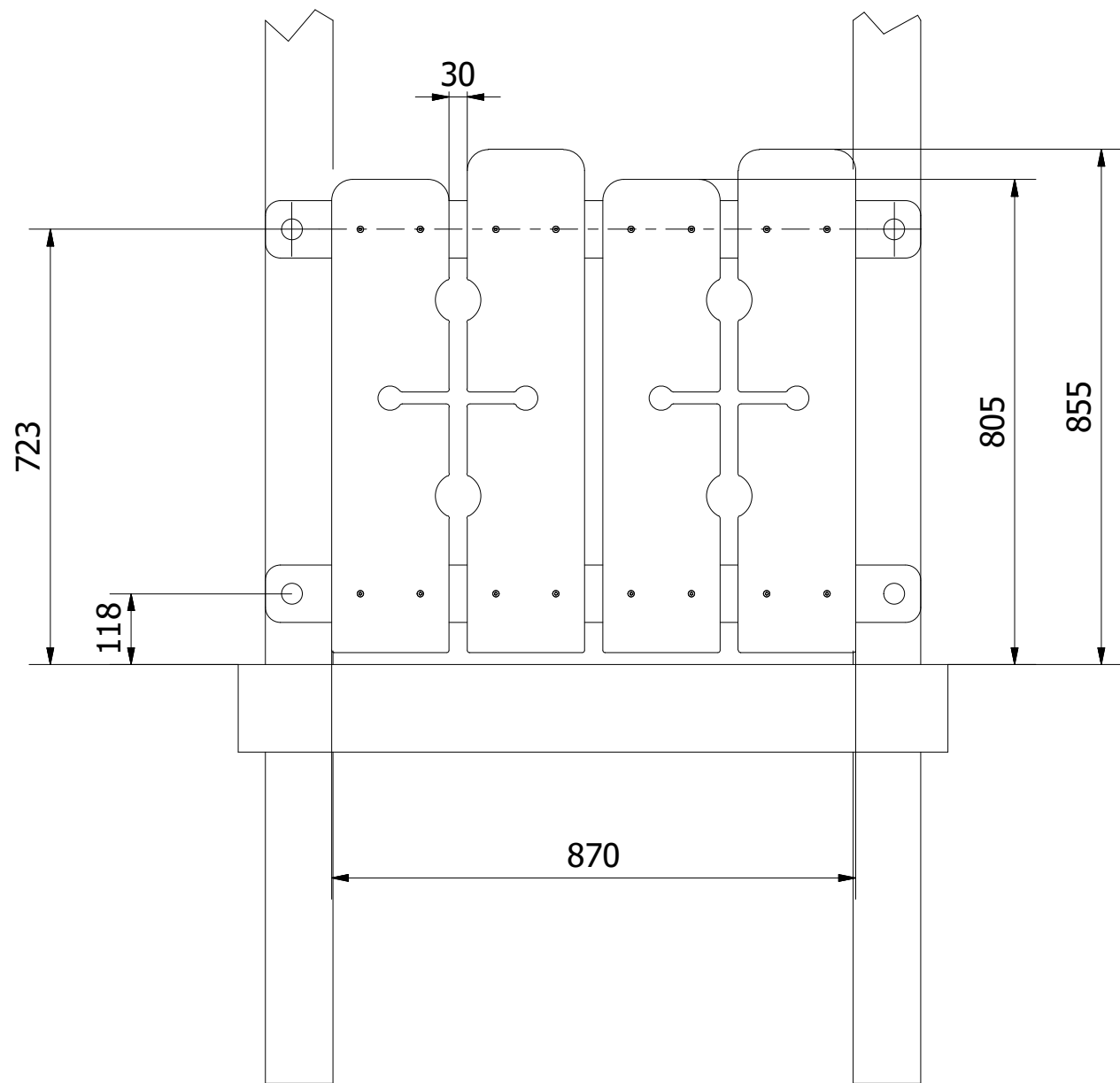


PARTS LIST

| ITEM | QTY | PART NUMBER              | DESCRIPTION                   | STOCK NUMBER  |
|------|-----|--------------------------|-------------------------------|---------------|
| 1    | 2   | TB-200-955               | 785 X 195 X 20 (CASTLE PALE)  | COMTIMSAW0023 |
| 2    | 2   | TB-200-956               | 835 X 195 X 20 (CASTLE PALE)  | COMTIMSAW0023 |
| 3    | 2   | TB-200-957               | 1088 X 95 X 45 (PLANED TO 33) | COMTIMSAW0007 |
| 4    | 16  | M6 X 50 TORX WOODSCREW   | 50MM TORX WOODSCREW           | COMA2WS6X50   |
| 5    | 4   | M8 X 80 TORX WASHER HEAD | 80MM WASHER SCREW             | COMA2WH8X80   |
| 6    | 4   | 30MM BOLT COVER          | 30MM BLACK CAP                | COMPLACAP0001 |



UNLESS OTHERWISE SPECIFIED:  
DIMENSIONS ARE IN MILLIMETERS  
TOLERANCES:  
LINEAR: ±2MM  
1 DECIMAL PLACE: ±0.5MM  
ANGULAR: ±1°

**PROPRIETARY AND CONFIDENTIAL**  
THE INFORMATION CONTAINED IN THIS  
DRAWING IS THE SOLE PROPERTY OF  
FENLAND LEISURE PRODUCTS. ANY  
REPRODUCTION IN PART OR AS A WHOLE  
WITHOUT THE WRITTEN PERMISSION  
OF FENLAND  
LEISURE PRODUCTS IS PROHIBITED.

Title: **MOD-600-155 CASTLE BARRIER**

Product Range: **MODULE DRAWING**

Date:  
02/12/2021

Page: 1

A3



DO NOT SCALE FROM DRAWING

Tel: 01354 638359 www.onlineplaygrounds.co.uk