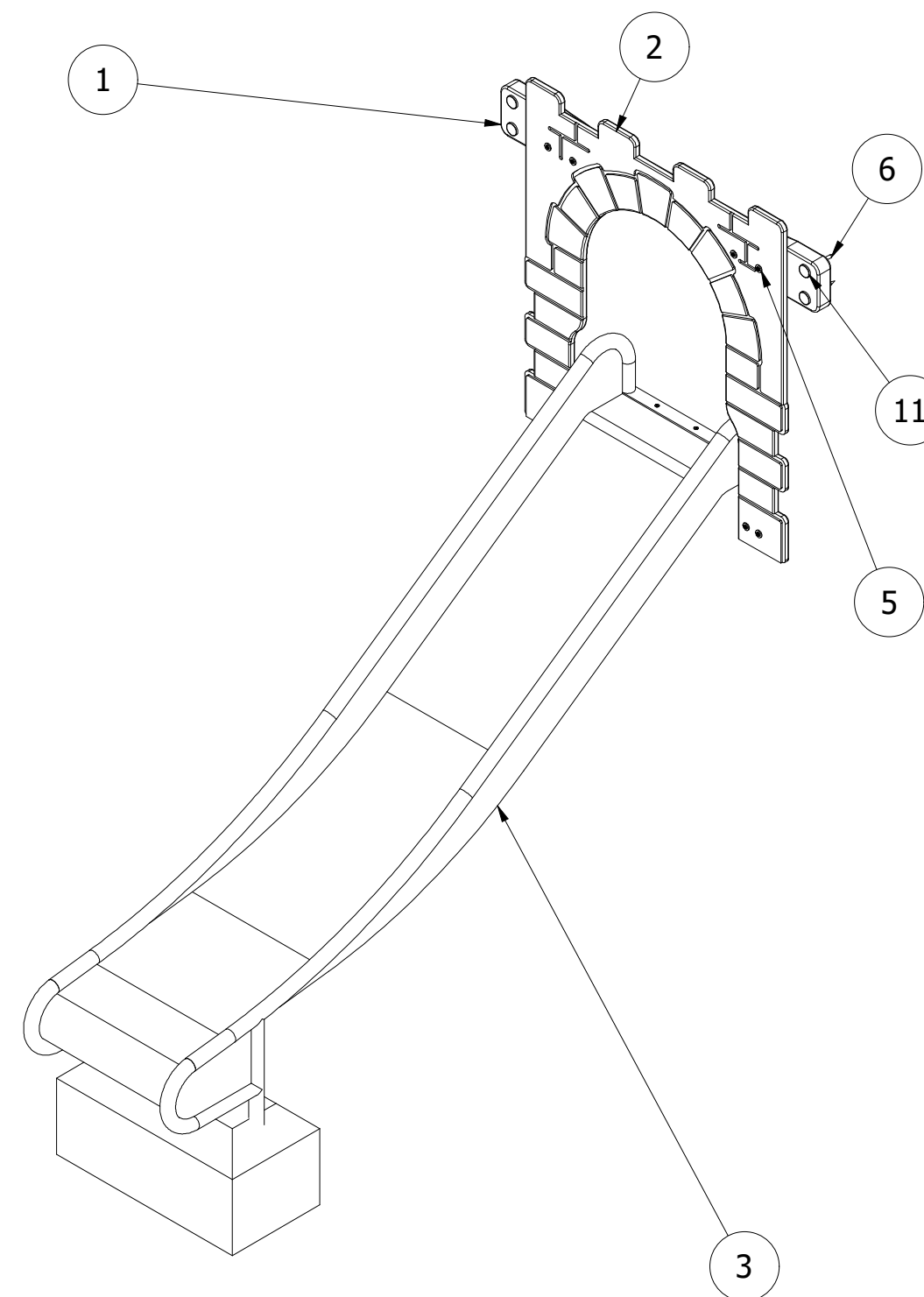
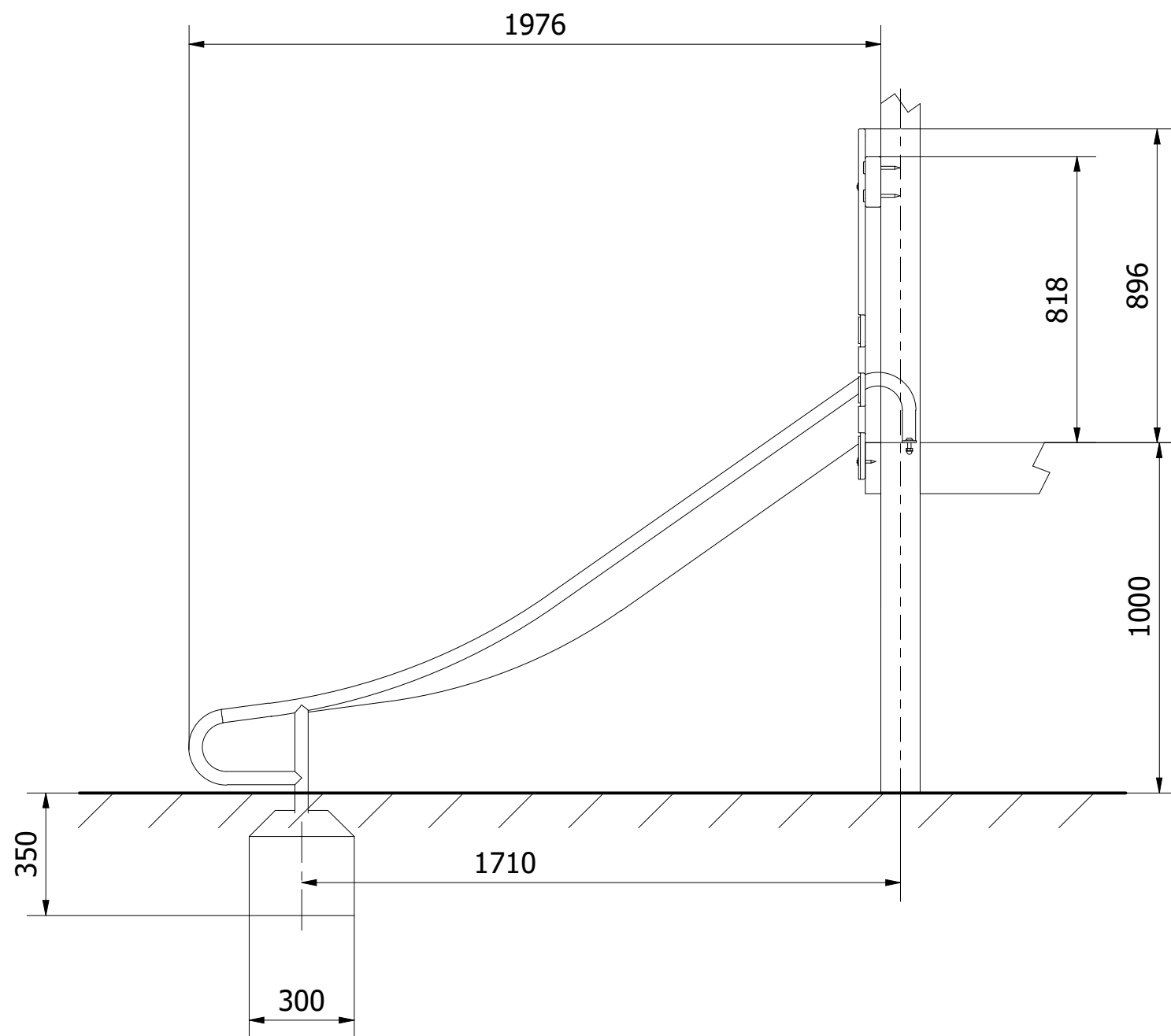


PARTS LIST

ITEM	QTY	PART NUMBER	DESCRIPTION	STOCK NUMBER
1	1	TB-200-248	1088 X 145 X 45	COMTIMSAW0005
2	1	PE-400-158	CASTLE ENTRANCE	COMHDPEGYBKGY19
3	1	ART. 11050 900-1000 SLIDE	900MM-1000MM SLIDE	COMSLIPLA0012
4	3	M6 X 25 CSK SOCKET (DIN 7991)	M6 X 25 (DIN 7991)	COMA2CSMSM6X25
5	8	M8 X 50 TORX WASHER HEAD	50MM WASHER SCREW	COMA2WH8X50
6	4	M8 X 80 TORX WASHER HEAD	80MM WASHER SCREW	COMA2WH8X80
7	2	M10 X 30 BUTTON HEAD	M10 X 30 (ISO 7380)	COMA2BHMSM10X30
8	2	M10 WASHER	M10 WASHER (DIN 125)	COMA2FWM10
9	3	M6 DOME NUT (DIN 1587)	M6 DOME NUT	COMA2DNM6
10	2	M10 DOME NUT (DIN 1587)	M10 DOME NUT	COMA2DNM10
11	4	30MM BOLT COVER	30MM BLACK CAP	COMPLACAP0001
12	1	400 x 600 x 300	0.054M ³ CONCRETE FOUNDATION	



UNLESS OTHERWISE SPECIFIED:
DIMENSIONS ARE IN MILLIMETERS
TOLERANCES:
LINEAR: ±2MM
1 DECIMAL PLACE: ±0.5MM
ANGULAR: ±1°

PROPRIETARY AND CONFIDENTIAL
THE INFORMATION CONTAINED IN THIS
DRAWING IS THE SOLE PROPERTY OF
FENLAND LEISURE PRODUCTS. ANY
REPRODUCTION IN PART OR AS A WHOLE
WITHOUT THE WRITTEN PERMISSION
OF FENLAND
LEISURE PRODUCTS IS PROHIBITED.

Title: **MOD-600-185 1.0M CASTLE SLIDE**

Product Range: **MODULE DRAWING**

Date:
15/03/2022

Page: 1

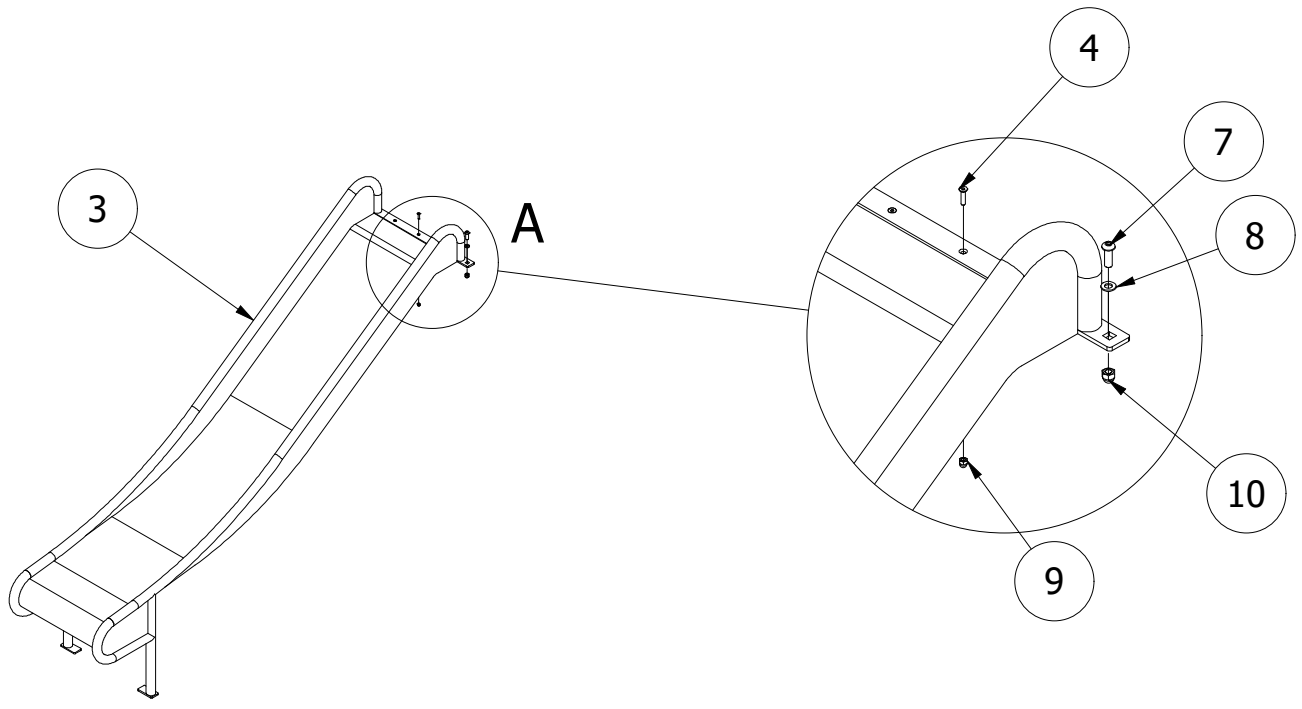
A3



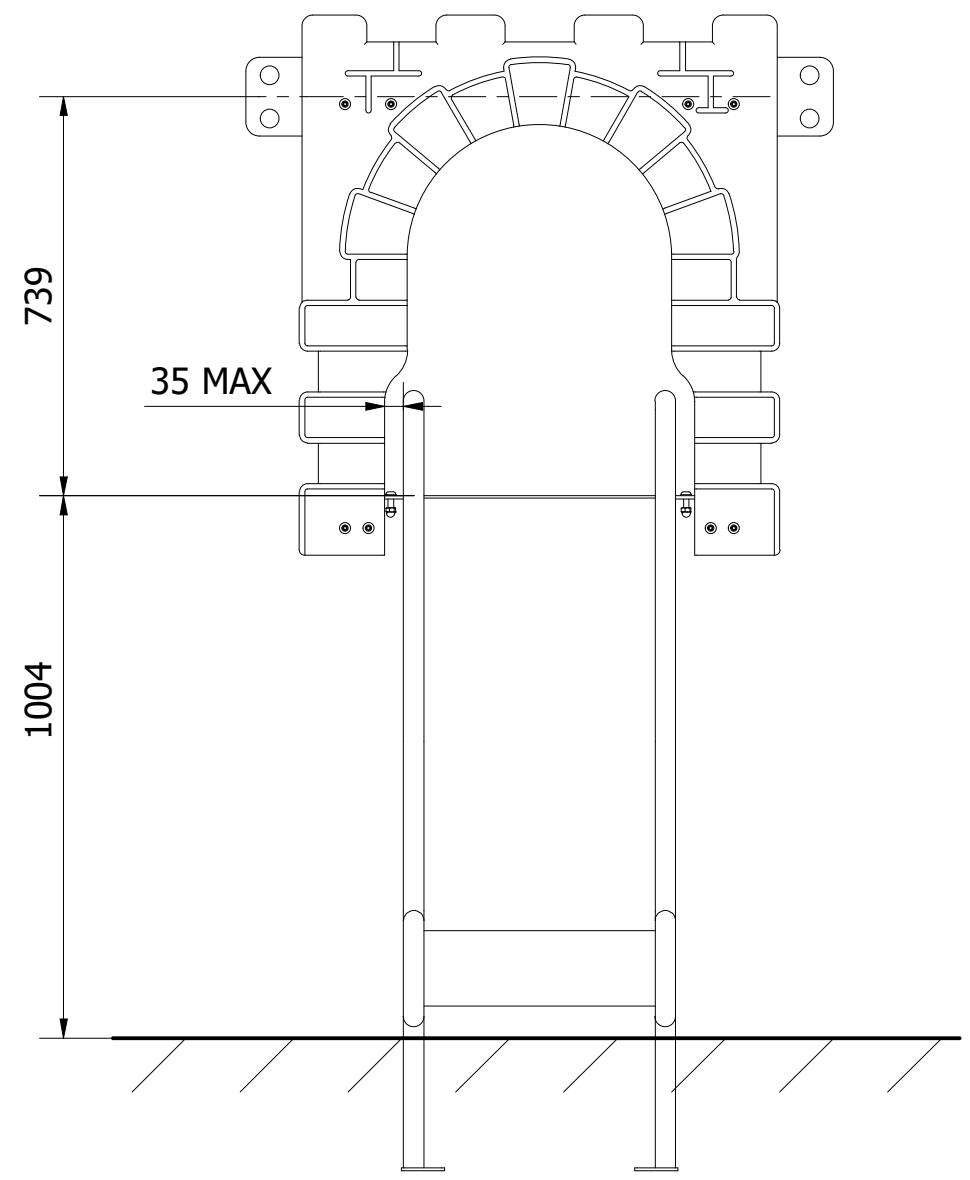
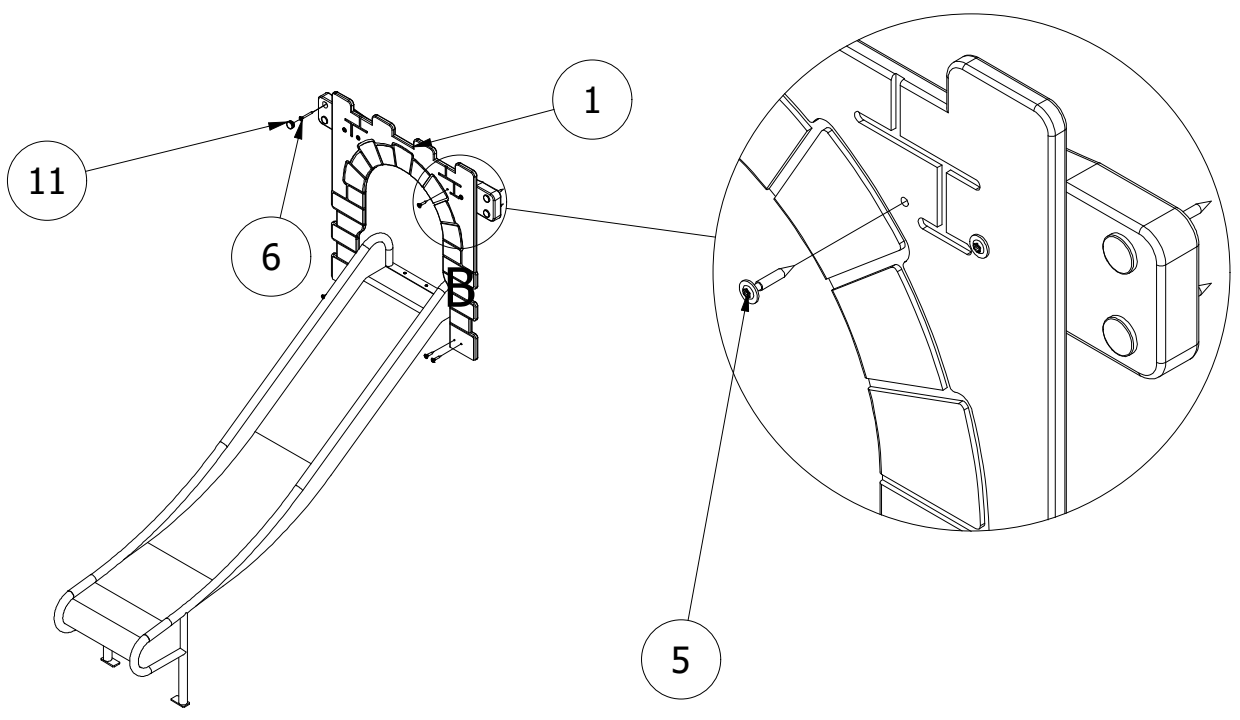
DO NOT SCALE FROM DRAWING

Tel: 01354 638359 www.onlineplaygrounds.co.uk

1. POSITION ONE END OF THE SLIDE INTO THE FOUNDATION AND REST THE SLIDING SECTION ON THE DECK. MARK THE LOCATION OF THE HOLES, PRE-DRILL AND SECURE THROUGH AND TIGHTEN ON THE UNDERSIDE USING THE SUPPLIED FIXINGS.





2. AS ILLUSTRATED, SECURE THE GUARDING SECTION AROUND THE SLIDE. ENSURE CRITICAL DIMENSIONS (FIG 1) ARE MAINTAINED.



4. FINALLY, ENSURE UNIT IS LEVEL AND PLUMB, ALL FIXINGS HAVE BEEN TIGHTENED AND PROTECTIVE CAPS IN PLACE. ADD CONCRETE TO EACH FOUNDATION HOLE AND LEAVE FOR 48 HOURS

NOTE:
TO REDUCE THE RISK OF STEEL GALLING, USE LUBRICANT ON ALL STAINLESS STEEL FIXINGS

UNLESS OTHERWISE SPECIFIED: DIMENSIONS ARE IN MILLIMETERS TOLERANCES: LINEAR: ±2MM 1 DECIMAL PLACE: ±0.5MM ANGULAR: ±1°	PROPRIETARY AND CONFIDENTIAL THE INFORMATION CONTAINED IN THIS DRAWING IS THE SOLE PROPERTY OF FENLAND LEISURE PRODUCTS. ANY REPRODUCTION IN PART OR AS A WHOLE WITHOUT THE WRITTEN PERMISSION OF FENLAND LEISURE PRODUCTS IS PROHIBITED.	Title: MOD-600-185 1.0M CASTLE SLIDE	
		Product Range: MODULE DRAWING	
		Date: 15/03/2022	
		Page: 2	
		DO NOT SCALE FROM DRAWING	
		Tel: 01354 638359 www.onlineplaygrounds.co.uk	