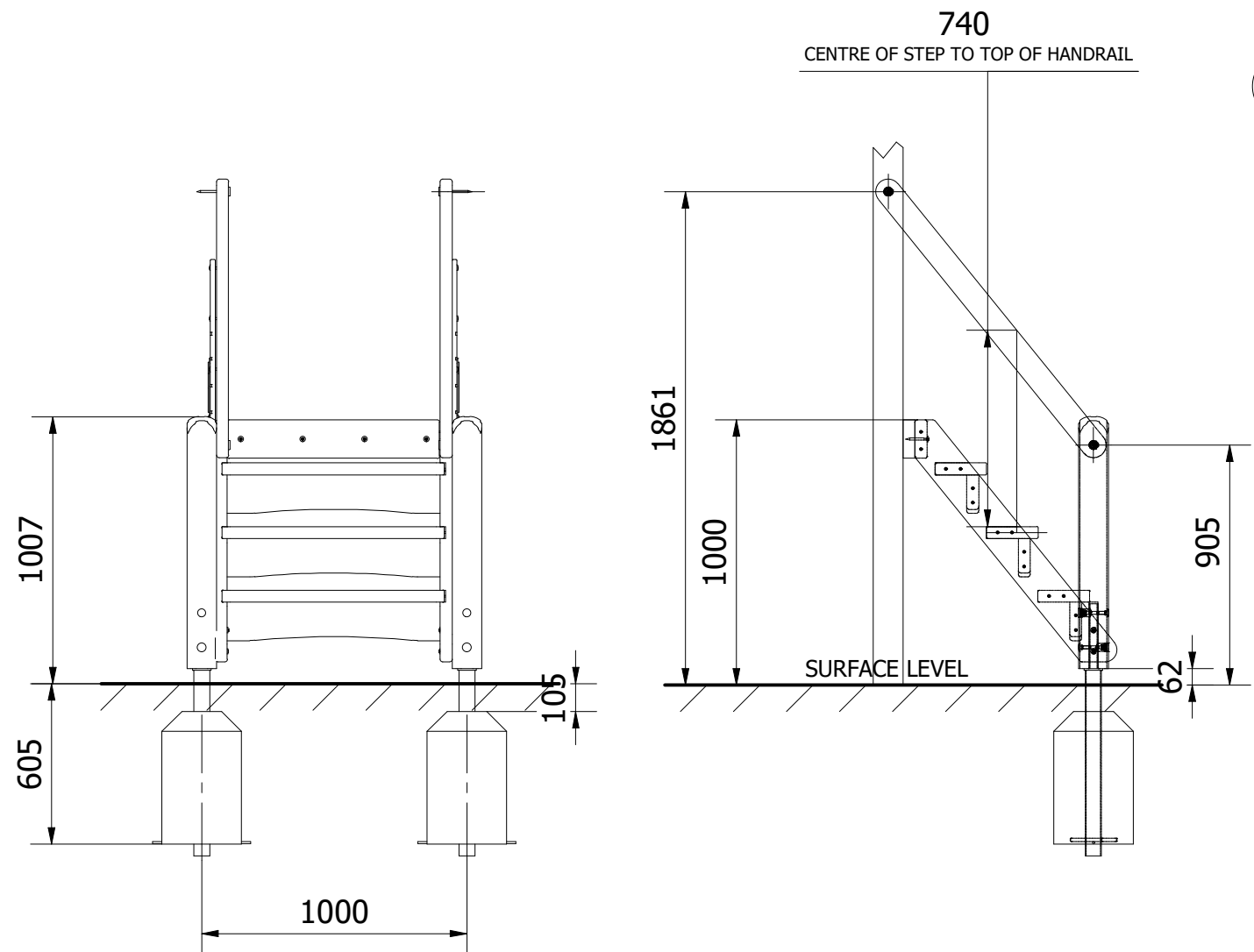
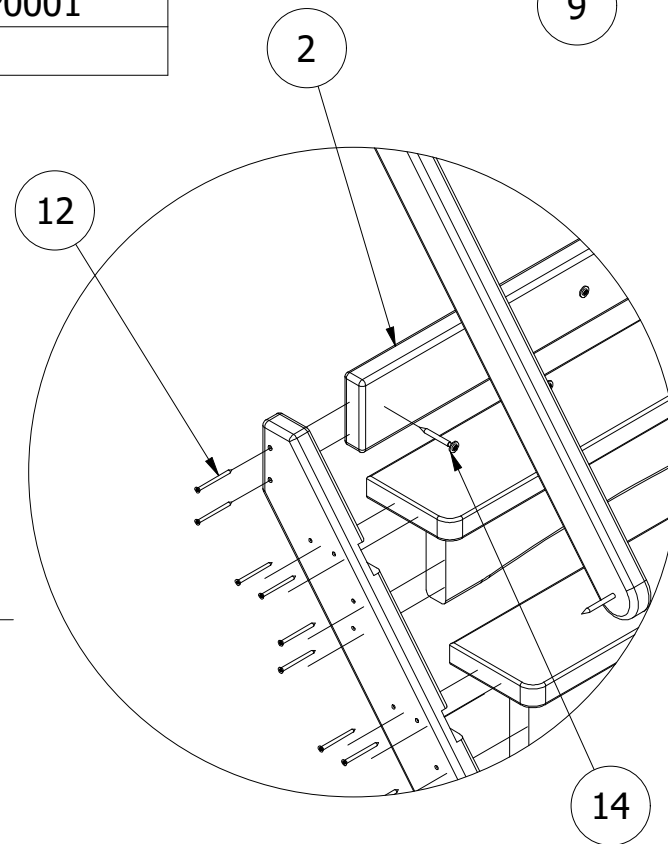
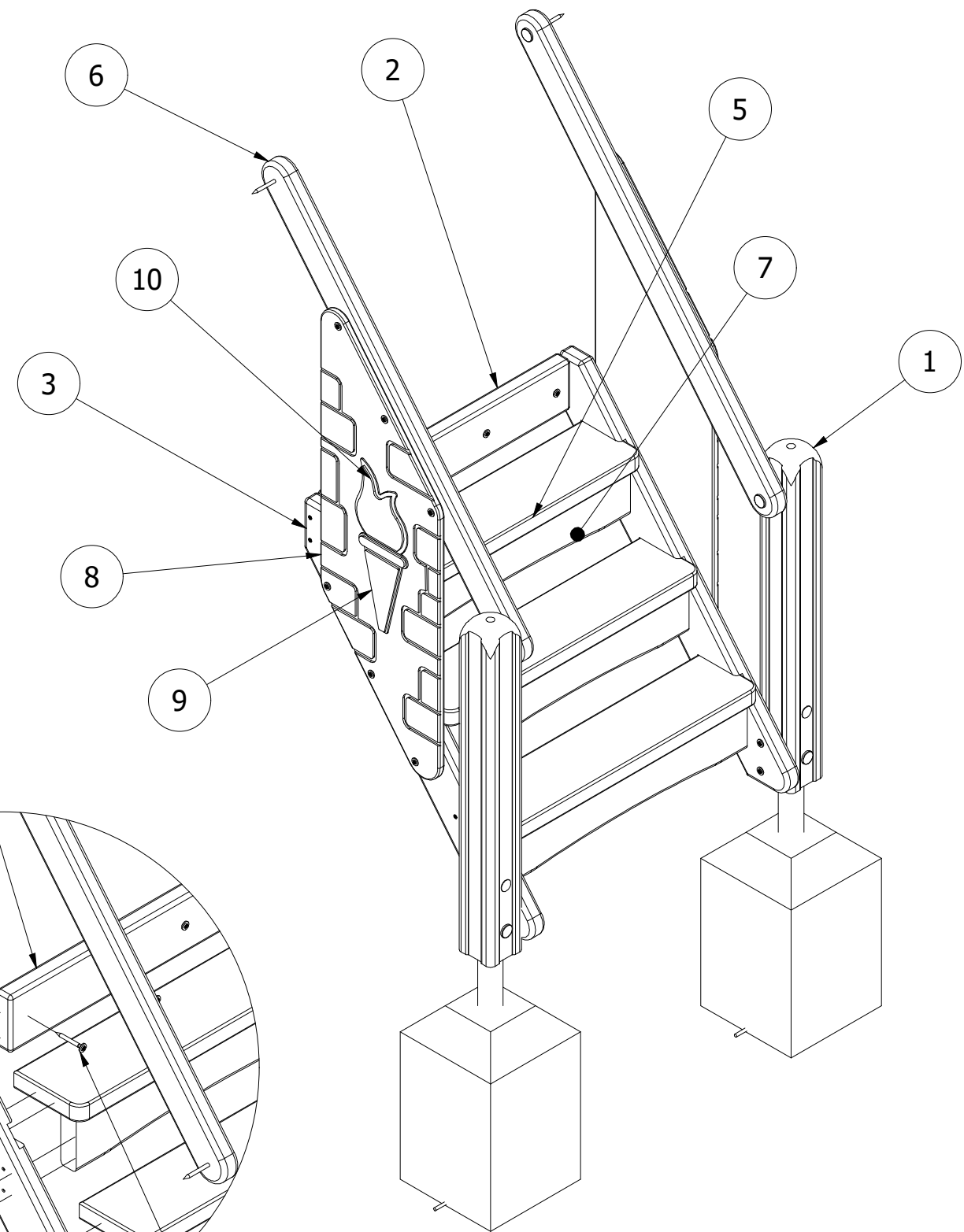


PARTS LIST

ITEM	QTY	PART NUMBER	DESCRIPTION	STOCK NUMBER
1	2	TB-200-001_B	950MM X 112MM (POST INSERT)	COMTIMSAF0002
2	1	TB-200-128	800 x 145 x 45	COMTIMSAW0005
3	1	TB-200-266	1170 X 145 X 45	COMTIMSAW0005
4	1	TB-200-267	1170 X 145 X 45	COMTIMSAW0005
5	3	TB-200-268	838 X 195 X 45 (STAIR TREAD)	COMTIMSAW0004
6	2	TB-200-269	1325 X 95 X 45 (HANDRAIL)	COMTIMSAW0007
7	3	TB-200-872	803 X 145 X 45 (STAIR SUPPORT)	COMTIMSAW0005
8	2	PE-400-160	1195 X 395 STAIR INFILL	COMHDPEGYBKGY19
9	2	PE-400-161	TORCH HANDLE HDPE	COMHDPEBRBGBR12
10	2	PE-400-162	FLAME HDPE	COMHDPERYR12
11	2	MOD-600-116 GROUND FOOT	GROUND FOOT (112)	SUBSTEMIS0004
12	28	M6 X 80 TORX WOODSCREW	80MM TORX WOODSCREW	COMA2WS6X80
13	12	M8 X 50 TORX WASHER HEAD	50MM WASHER SCREW	COMA2WH8X50
14	8	M8 X 80 TORX WASHER HEAD	80MM WASHER SCREW	COMA2WH8X80
15	4	M8 X 100 TORX WASHER HEAD	100MM WASHER HEAD	COMA2WH8X100
16	4	30MM BOLT COVER	30MM BLACK CAP	COMPLACAP0001
17	2	300 x 300 x 500	0.045M ³ CONCRETE FOUNDATION	



UNLESS OTHERWISE SPECIFIED:
DIMENSIONS ARE IN MILLIMETERS
TOLERANCES:
LINEAR: ±2MM
1 DECIMAL PLACE: ±0.5MM
ANGULAR: ±1°

PROPRIETARY AND CONFIDENTIAL
THE INFORMATION CONTAINED IN THIS DRAWING IS THE SOLE PROPERTY OF FENLAND LEISURE PRODUCTS. ANY REPRODUCTION IN PART OR AS A WHOLE WITHOUT THE WRITTEN PERMISSION OF FENLAND LEISURE PRODUCTS IS PROHIBITED.

Title: MOD-600-187 1M CASTLE STAIRS		Date: 02/01/2019
Product Range: MULTIPLAY TOWERS		Page: 1
DO NOT SCALE FROM DRAWING		A3
Tel: 01354 638359 www.onlineplaygrounds.co.uk		

